

# INSTRUCTION MANUAL

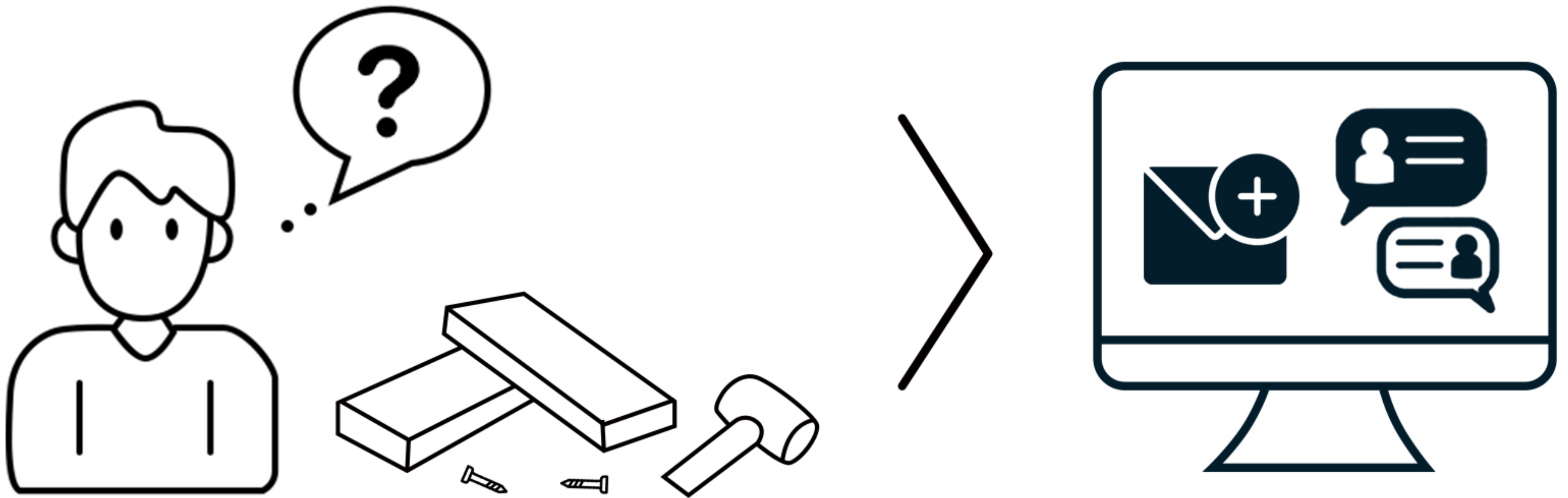
---

Outdoor Metal Rectangular  
Dining Table

OIDT-001-GY

An artist of outdoor living.

We promotes the idea of turning any outdoor area into a relaxing space with outdoor furniture.





**Questions? Comments?**

**Reach out to us for expert support!**

 [service@sundaleoutdoor.com](mailto:service@sundaleoutdoor.com)

 [sundaleoutdoor.com](http://sundaleoutdoor.com)

 (626) 899-5788

 2080 S Cucamonga Ave,  
Ontario, CA 91761

---

Follow sundaleoutdoor on



# TABLE OF CONTENTS

Tabel of contents-----	3	Parts list-----	5
Read before assembly -----	3	Assembly-----	6-7
Warranty-----	3	Care and mantance-----	7

## READ BEFORE ASSEMBLY

Before beginning assembly, make sure all parts are present. If any parts are missing or damaged, do not attempt to assemble the products. Contact customer service for replacement parts via service email.

Approximate assembly time: 15 minutes.

Note:

1. Please only tighten any bolts once all bolts place correctly and the product is lying flat. If you tighten one bolt, it may cause other bolts to get out of position.
2. The right and left sides of the table are designed as if you are facing the front of the table.
3. Model shown for illustration purpose only, specific please in kind prevail.

## WARNING

**⚠ WARNING:** This product can expose you to Carbon monoxide, which is known to the State of California to cause birth defects or other reproductive harm. For more information go to [www.P65Warnings.ca.gov](http://www.P65Warnings.ca.gov)

## WARRANTY

This warranty is a limited warranty, and applies to the original purchase is required. This is a residential warranty and does not apply to commercial use.

This collection carries a (1) year limited warranty and is valid from original date of purchase to the original owner(proof of purchase required).

---

## WHAT IS COVERED

We warrant the frame to be free of Manufacturing defects to the original purchaser for one year.

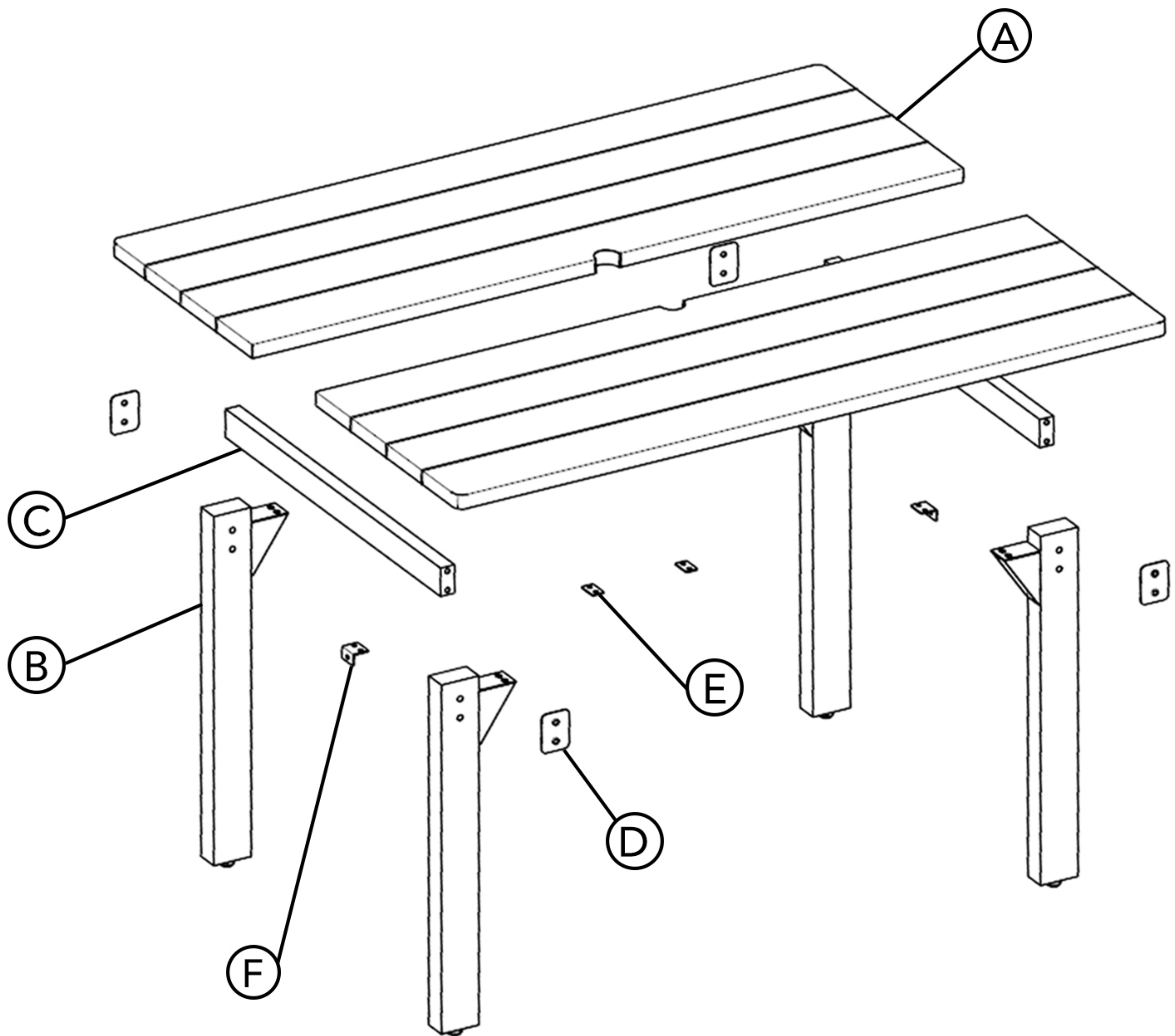
---

## WHAT IS NOT COVERED

This warranty does not cover commercial use, hardware, acts of nature, re, freezing and abusive. In addition, purchased parts are not covered under this warranty. We reserve the right to make substitutions with similar merchandise, if the model in question is no longer in production.

For a copy of our full limited warranty, please contact our customer service team.

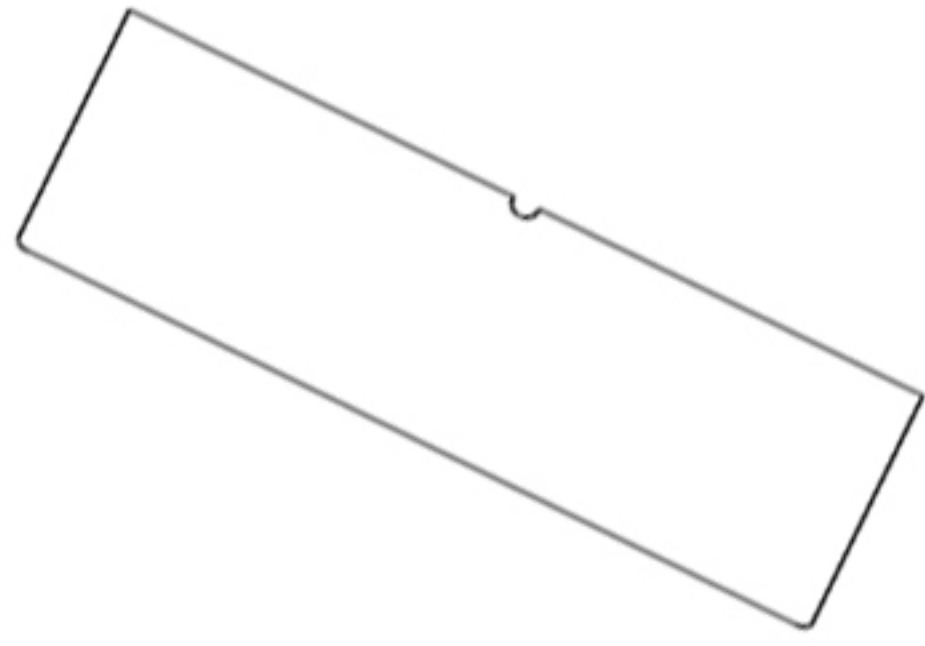
# PARTS DIAGRAM



# PARTS LIST

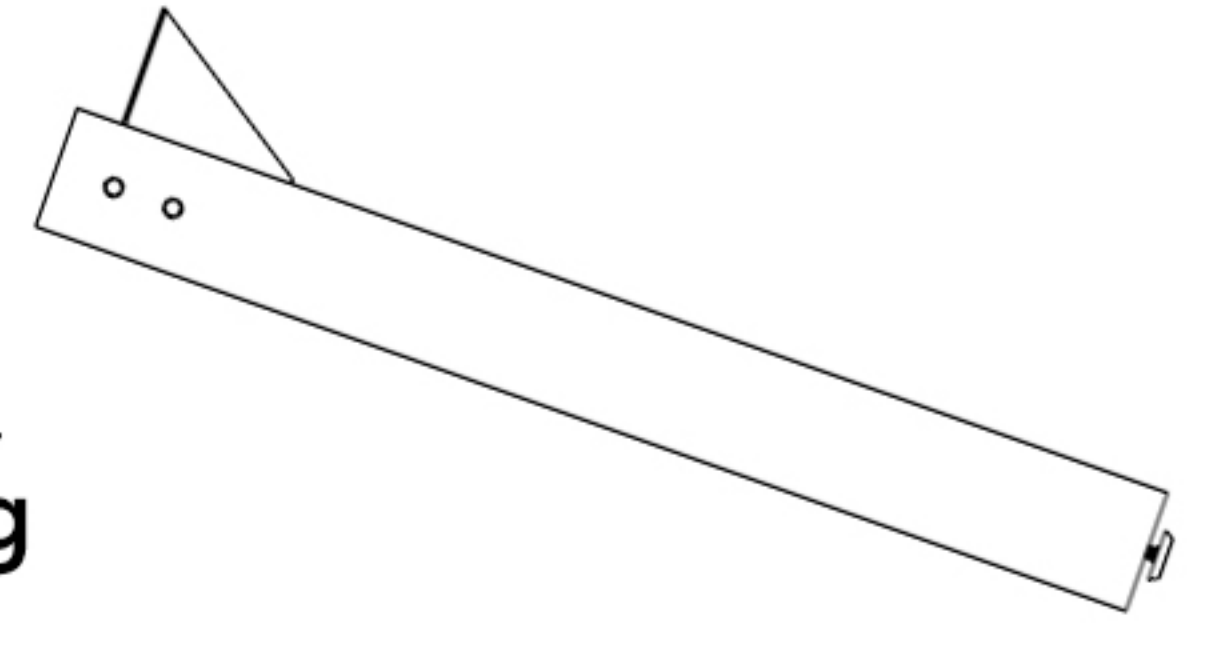
**A**

X2  
Table Top



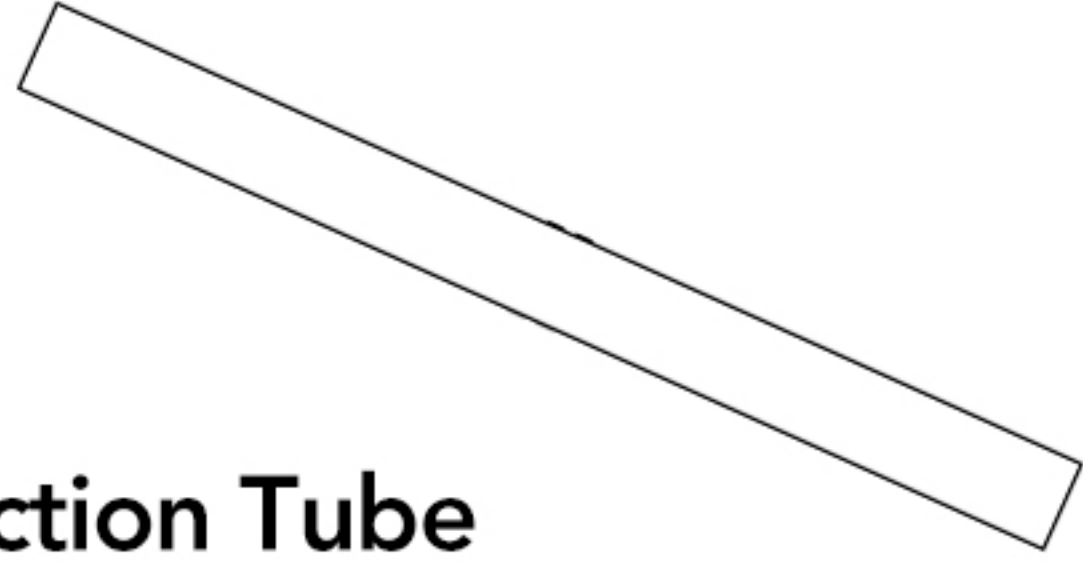
**B**

X4  
Table Leg



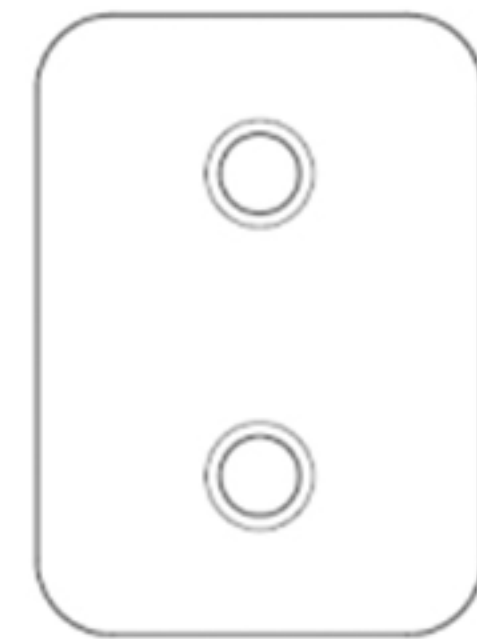
**C**

X2  
Leg Connection Tube



**D**

X4  
Large Spacer



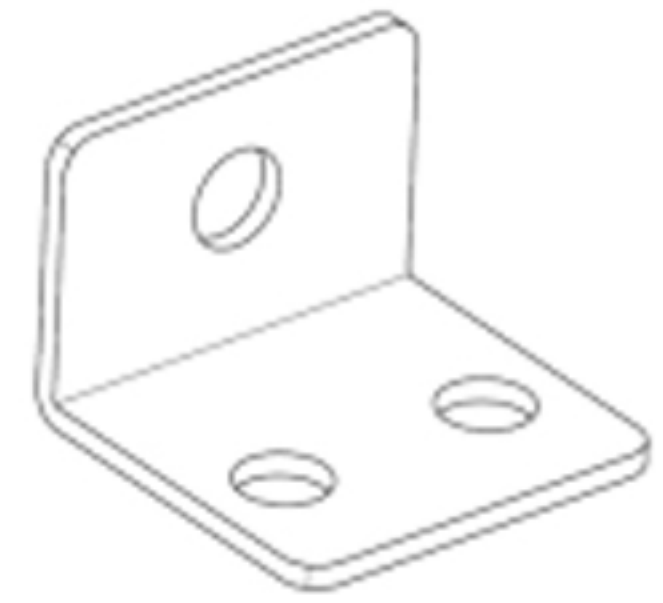
**E**

X2  
Small Spacer



**F**

X2  
Connector



**G**

X8  
Screw



**H**

X18  
Screw



**I**

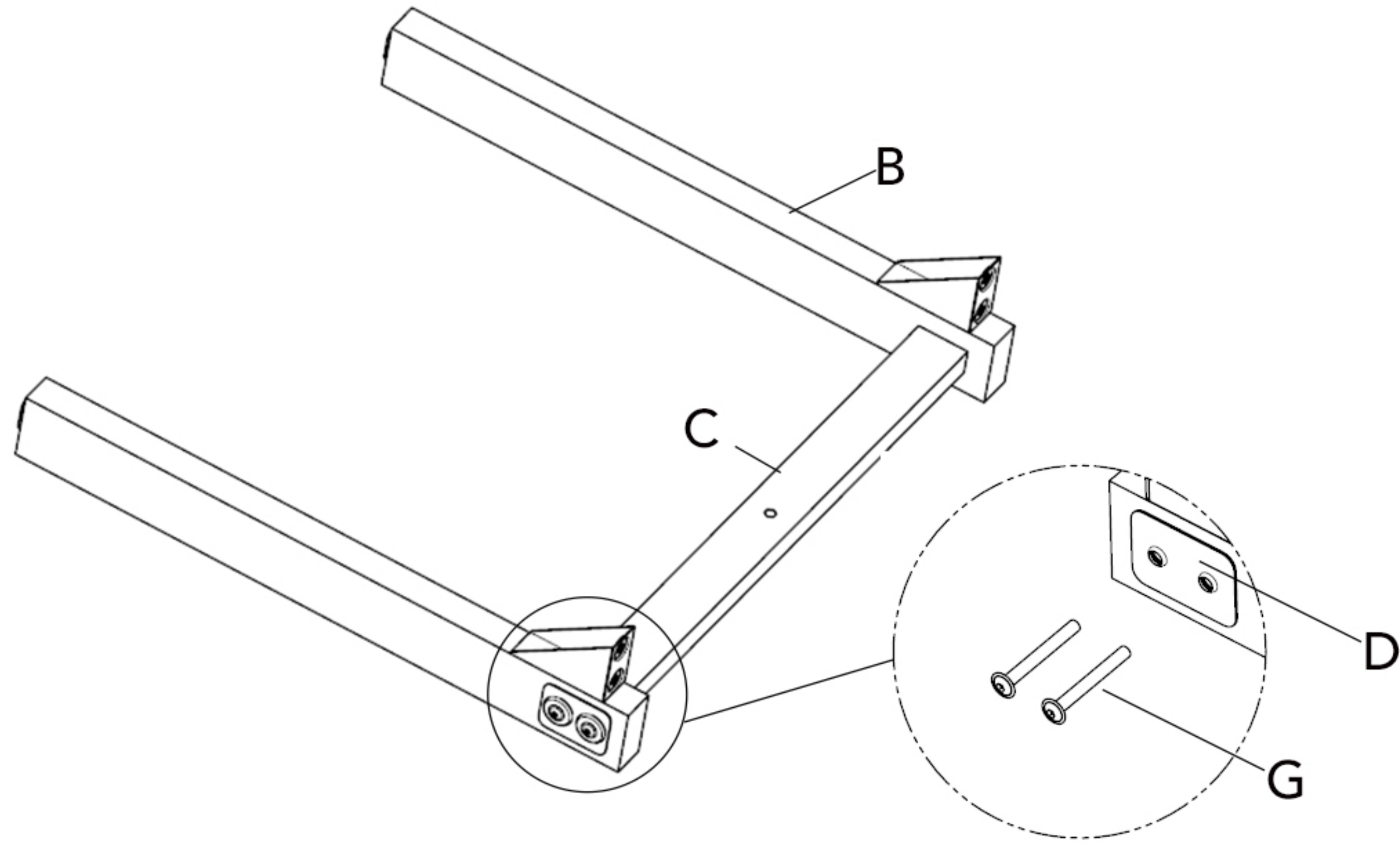
X1  
Umbrella Hole Plug



**J**

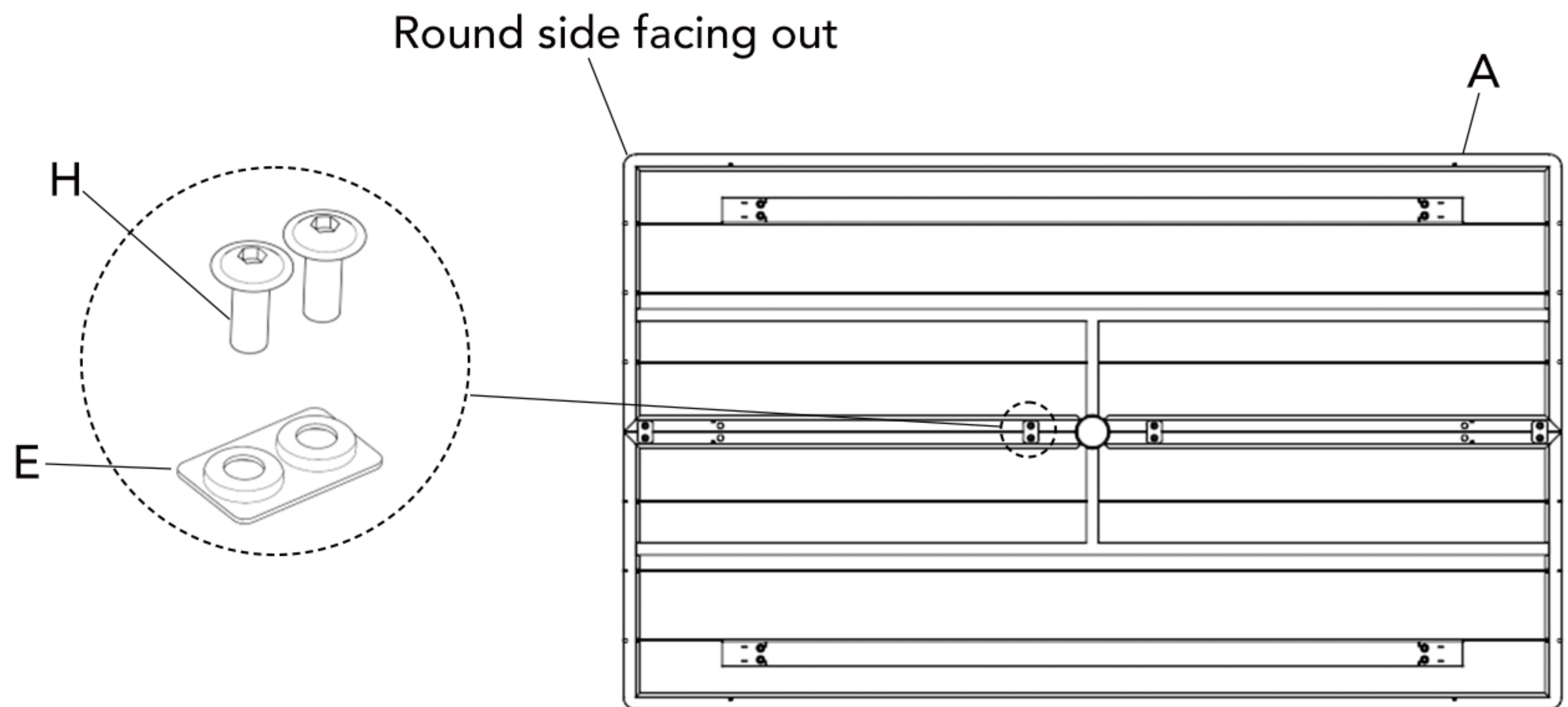
X1  
Allen Wrench





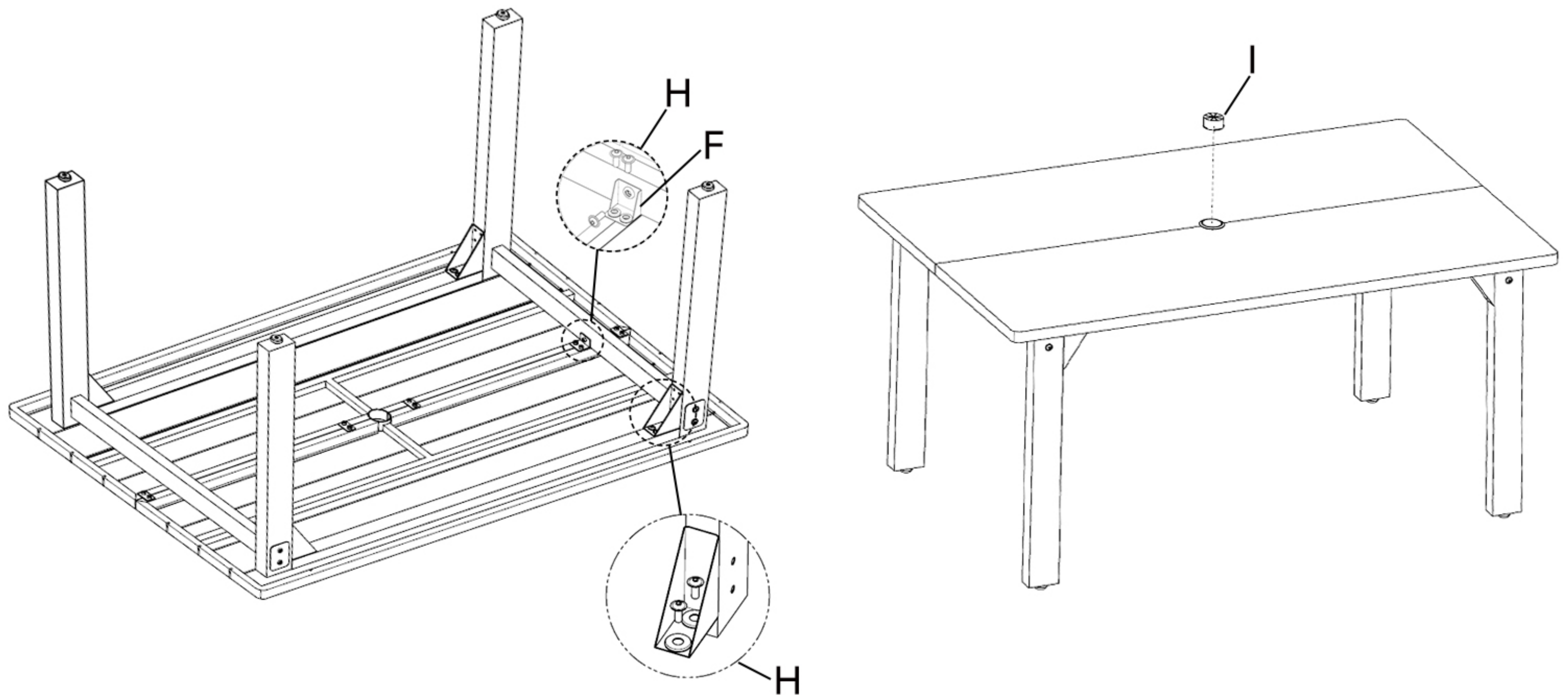
Attach two legs(Part B) to the connection tube(Part C) using 2 large spacers(Part D) and 4 Part G screws.  
Repeat the above steps to assemble the remaining legs.

- B** x4    **C** x2
- D** x4    **G** x8



Put Part A(table top) face down and put table top rounded sides facing out.  
Use 2 small spacers(Part E) and 4 Part H screws to connect two table tops(Part A)

- A** x2    **E** x2    **H** x4



Attach leg parts to table top, use 7 H screws for each side. After complete assembly, flip the table over and install the umbrella hole plug (Part I).

**F** x2 **H** x14 **I** x1

## CARE AND MAINTENANCE

Follow the instructions for use of the product material to ensure that the product remains in the best condition for as long as possible. The following information is intended as a general guideline only. For further information, please feel free to contact us.

- \* Rinse thoroughly with water to wash away dirt and dust. Never use abrasive cleaners on furniture as they will erode the surface and leave scratches.
- \* For stubborn dirt and stains, use a soft sponge and mild soapy water. Then dry with a cloth or paper towel.
- \* Check the stability of screws, nuts and nut covers before each use. Then tighten as often as needed after one to two months of use.
- \* Avoid improper use and be careful not to scratch or damage surfaces with sharp objects.
- \* When moving furniture, lift it rather than pulling or pushing it to avoid damage to the floor, legs and mounting.

**QUESTION ABOUT OUR PRODUCT? WE'RE HERE TO HELP.**

————— Contact us at: [service@sundaleoutdoor.com](mailto:service@sundaleoutdoor.com) —————