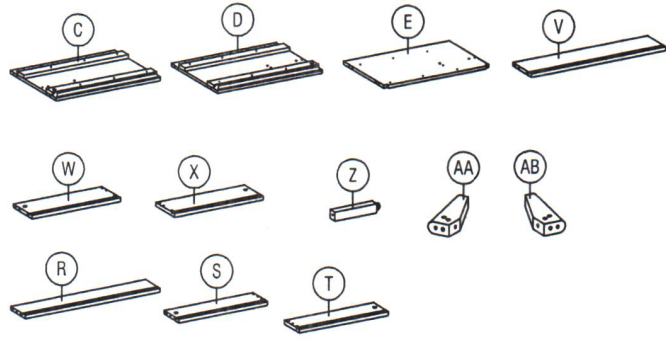


# DRESSER ASSEMBLY INSTRUCTIONS

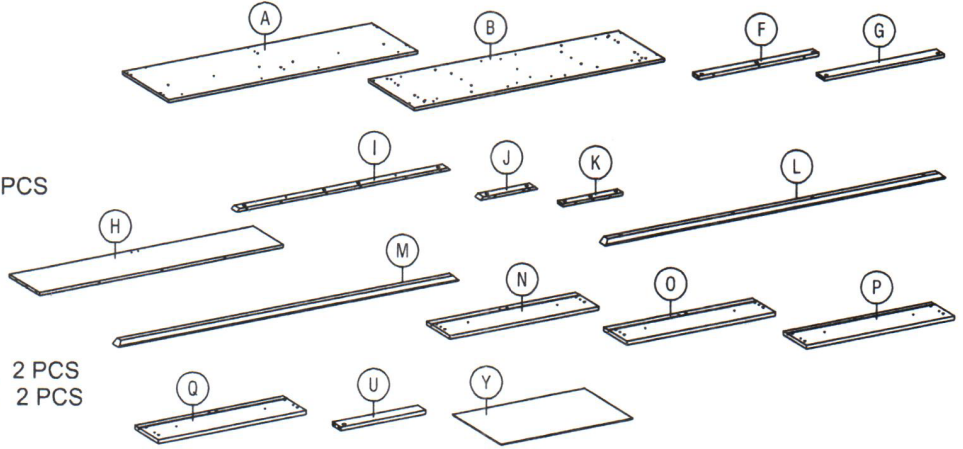
## BOX#1

- C SIDE PANEL - L 1 PC
- D SIDE PANEL - R 1 PC
- E CENTER DIVIDER 1 PC
- R TOP DRAWER BACK PANEL 2 PCS
- S TOP DRAWER SIDE PANEL - L 2 PCS
- T TOP DRAWER SIDE PANEL - R 2 PCS
- V MID & BOTTOM DRAWER BACK 4 PCS
- W MID & BOTTOM DRAWER SIDE - L 4 PCS
- X MID & BOTTOM DRAWER SIDE - R 4 PCS
- Z CENTER SUPPORT LEG 1 PC
- AA LEFT LEG 2 PCS
- AB RIGHT LEG 2 PCS



## BOX#2

- A TOP 1 PC
- B BASE 1 PC
- F TOP SUPPORT BAR 2 PCS
- G STRETCHER 2 PCS
- H BACK PANEL 2 PCS
- I BASE FRONT/BACK SUPPORT 2 PCS
- J BASE SIDE SUPPORT 2 PCS
- K BASE SUPPORT BAR 2 PCS
- L TOP APRON 1 PC
- M BOTTOM APRON 1 PC
- N TOP DRAWER FACE - L 1 PC
- O TOP DRAWER FACE - R 1 PC
- P MID&BOTTOM DRAWER FACE - L 2 PCS
- Q MID&BOTTOM DRAWER FACE - R 2 PCS
- U DRAWER SUPPORT 6 PCS
- Y DRAWER BASE 6 PCS



### HARDWARE PACKED IN BOX #1

No	Description	Photo	Quantity
1	CAM LOCK		64 PCS
2	CAM BOLT		64 PCS
3	CAM COVER STICKER (20mm)		62 PCS
4	DOWEL (8 X 32mm)		113 PCS
5	PHILLIPS HEAD SCREW (6 X 8mm)		24 PCS
6	PHILLIPS HEAD SCREW (10 X 33.5mm)		25 PCS
7	PHILLIPS HEAD SCREW (6 X 13mm)		24 PCS
8	ALLEN BOLT (6 X 60mm)		4 PCS
9	PAN HEAD SCREW (4 X 20mm)		12 PCS
10	PAN HEAD SCREW (4 X 10mm)		24 PCS
11	PHILLIPS HEAD SCREW (10 X 25mm)		8 PCS
12	PAN HEAD SCREW (6 X 30mm)		4 PCS
13	PAN HEAD SCREW (3 X 12mm)		2 PCS
14	BARREL NUT		8 PCS
15	FLAT WASHER (6mm)		4 PCS
16	LOCK WASHER (6mm)		4 PCS
17	CORNER BRACE		4 PCS
18	DRAWER GLIDE SET		6 PCS
19	KNOB		12 PCS
20	ALLEN KEY (M4)		1 PC
21	ANTI TIPPING RESTRAINT		1 PC
22	PHILLIPS HEAD SCREW (6 X 9mm)		12 PCS

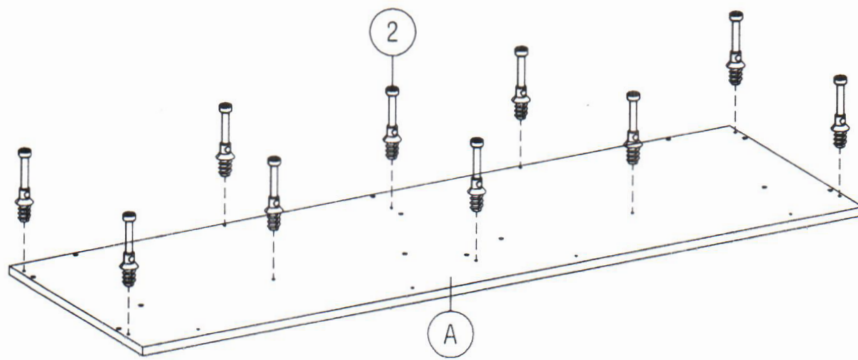
### DRESSER FULLY ASSEMBLED



NOT PROVIDED

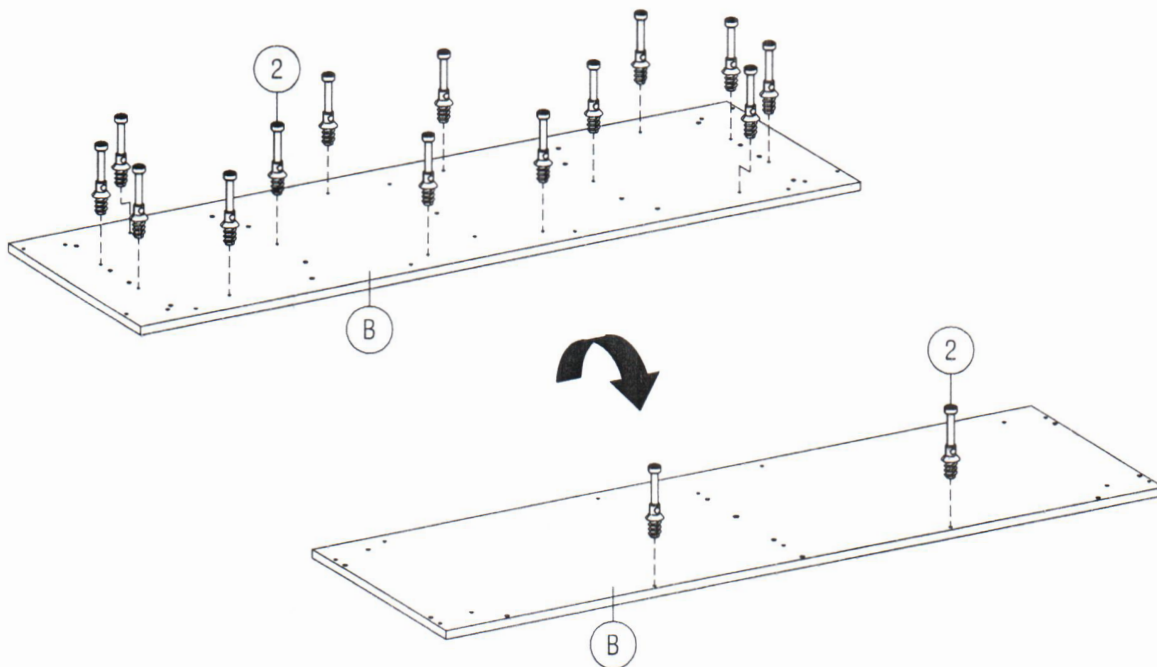
# DRESSER ASSEMBLY INSTRUCTIONS

STEP 1 :



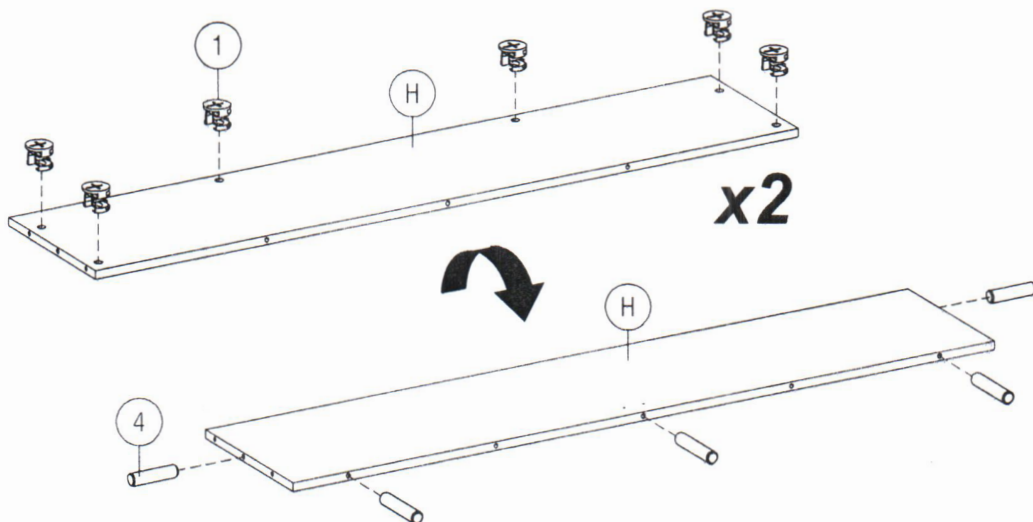
  
2 x 10


STEP 2 :



  
2 x 16

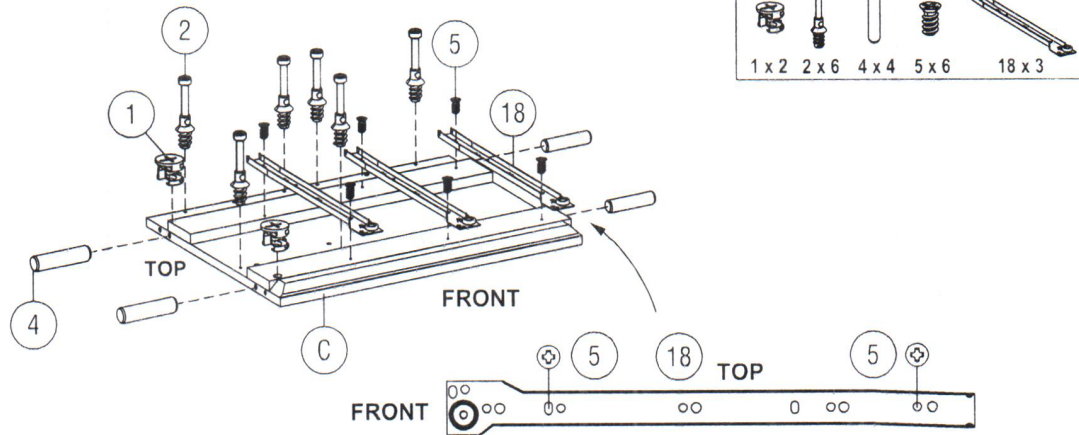
STEP 3 :



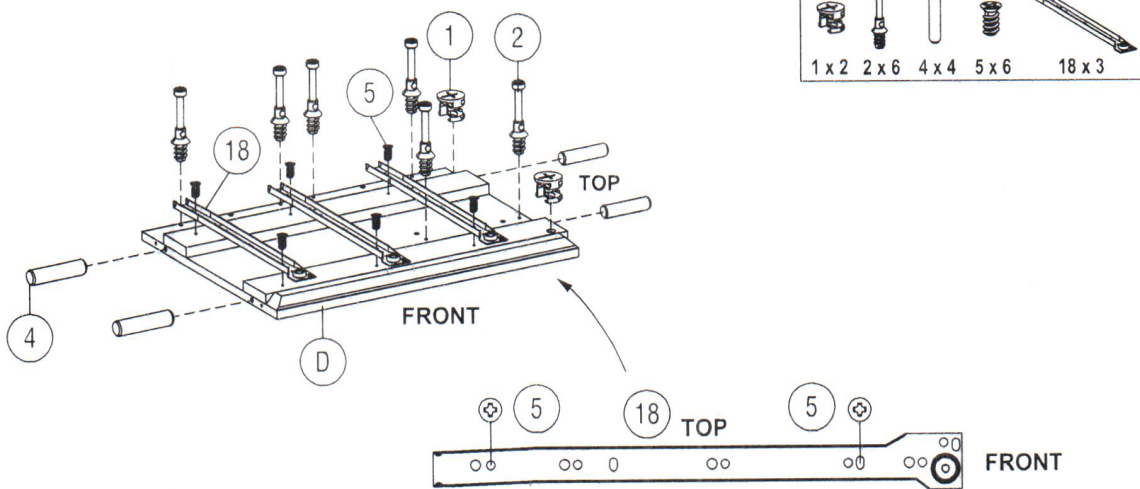
  
1 x 12 4 x 10

# DRESSER ASSEMBLY INSTRUCTIONS

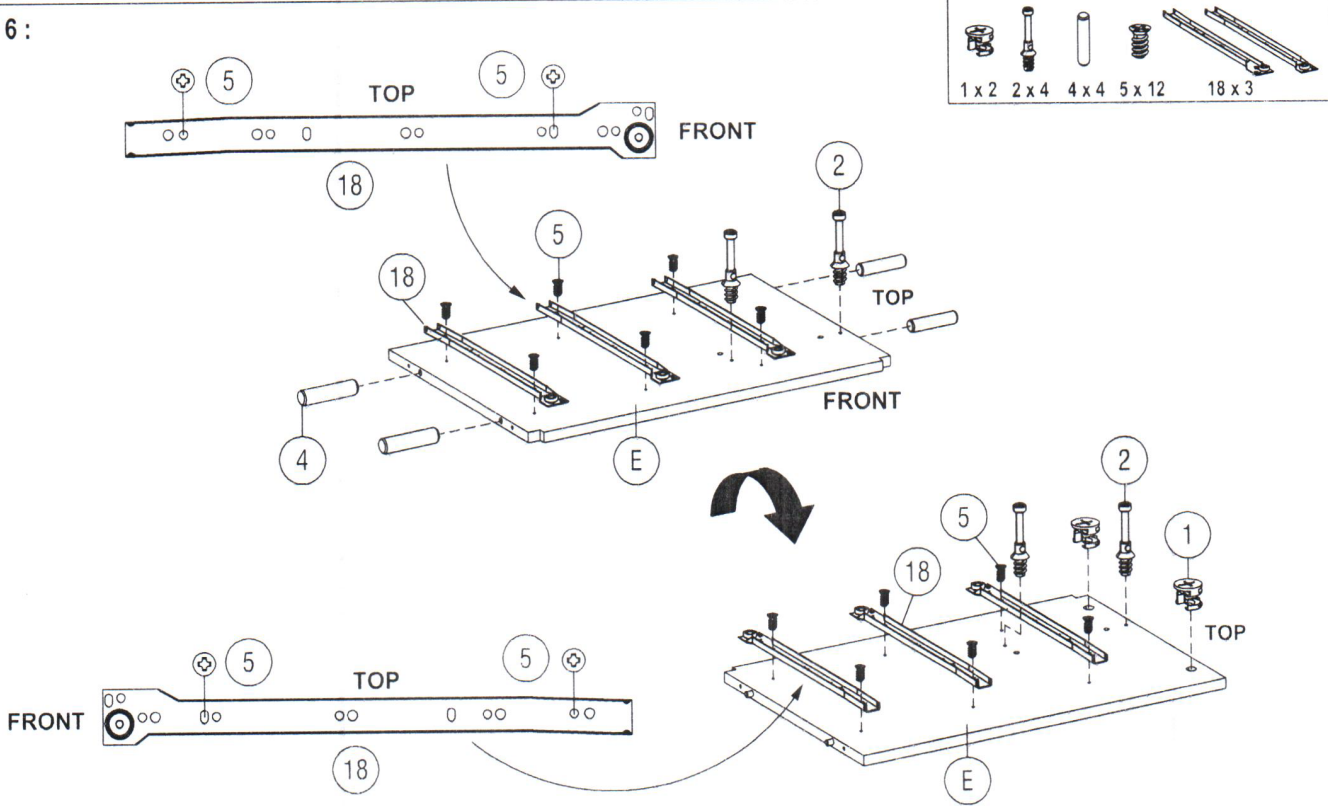
STEP 4:



STEP 5:

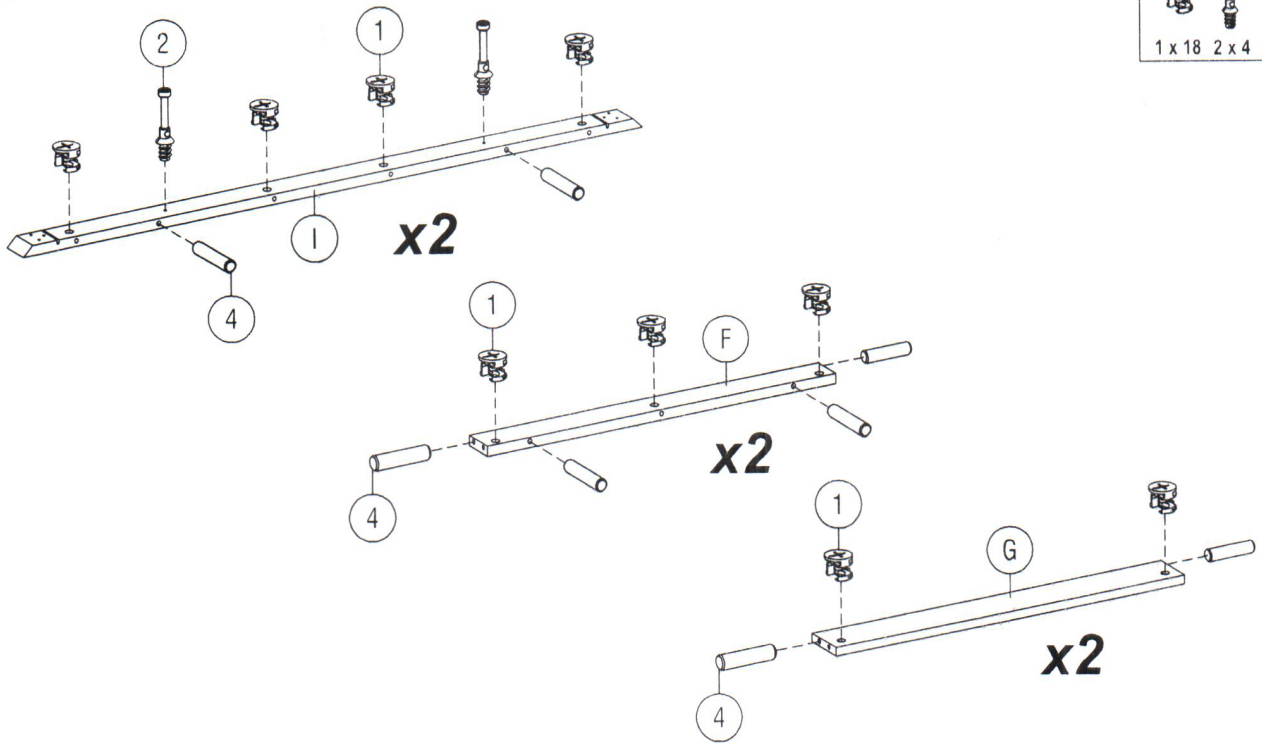
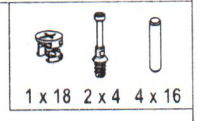


STEP 6:

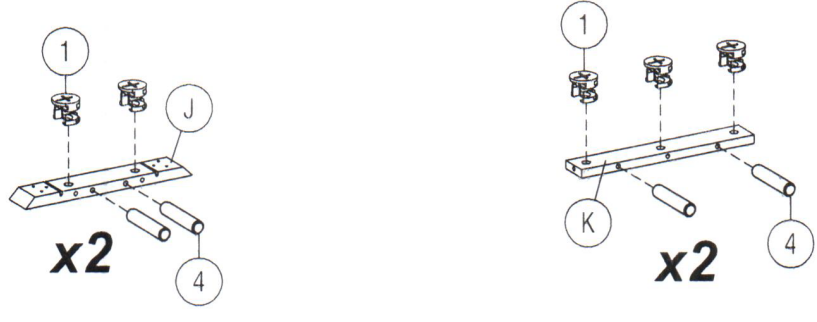
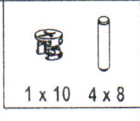


# DRESSER ASSEMBLY INSTRUCTIONS

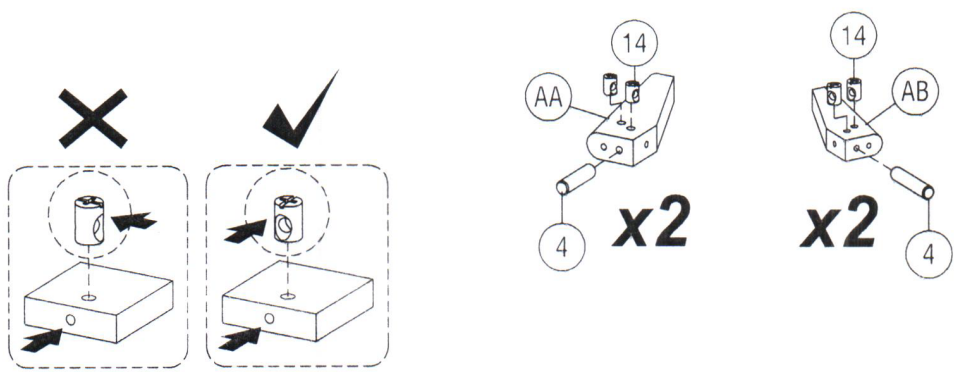
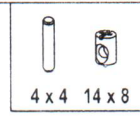
STEP 7 :



STEP 8 :

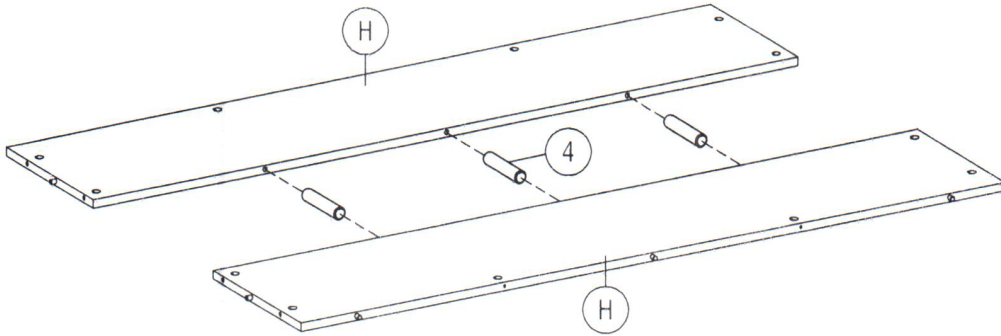
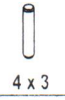


STEP 9 :

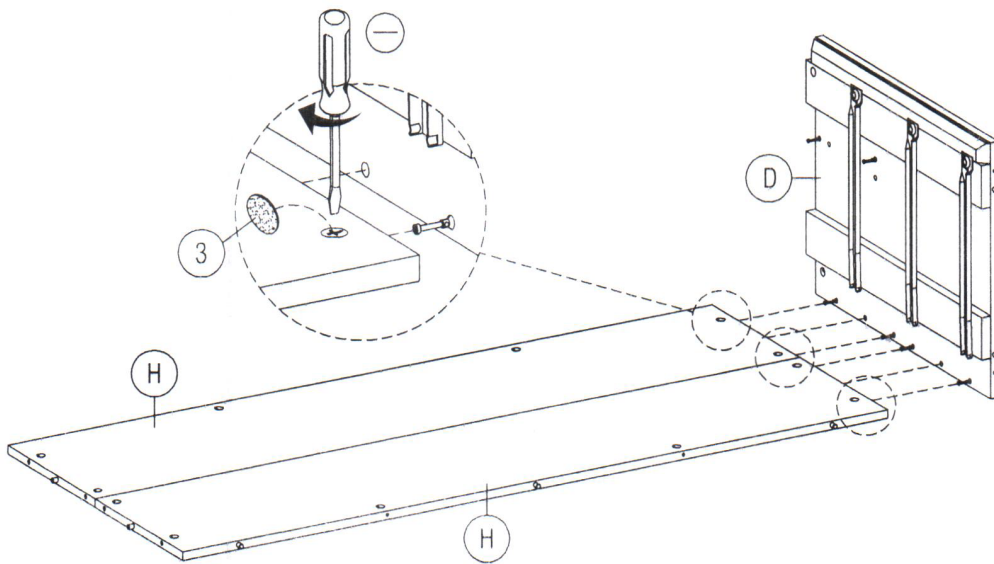


# DRESSER ASSEMBLY INSTRUCTIONS

STEP 10 :



STEP 11 :

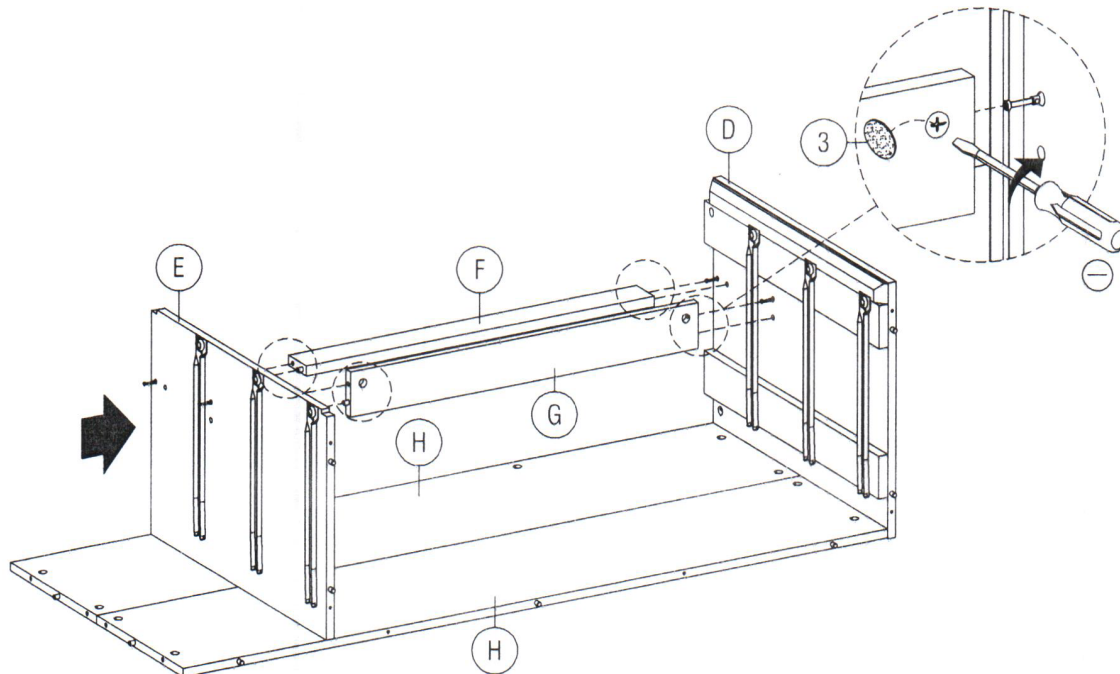


# DRESSER ASSEMBLY INSTRUCTIONS

STEP 12 :



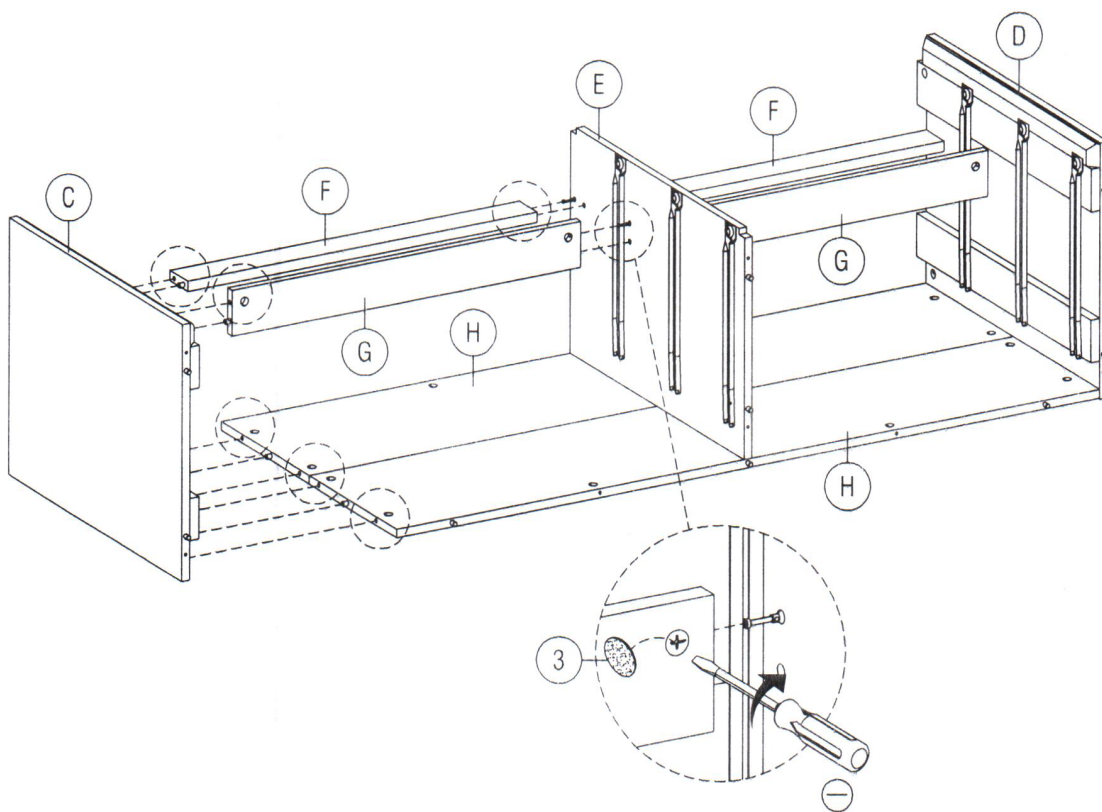
3 x 4



STEP 13 :



3 x 8

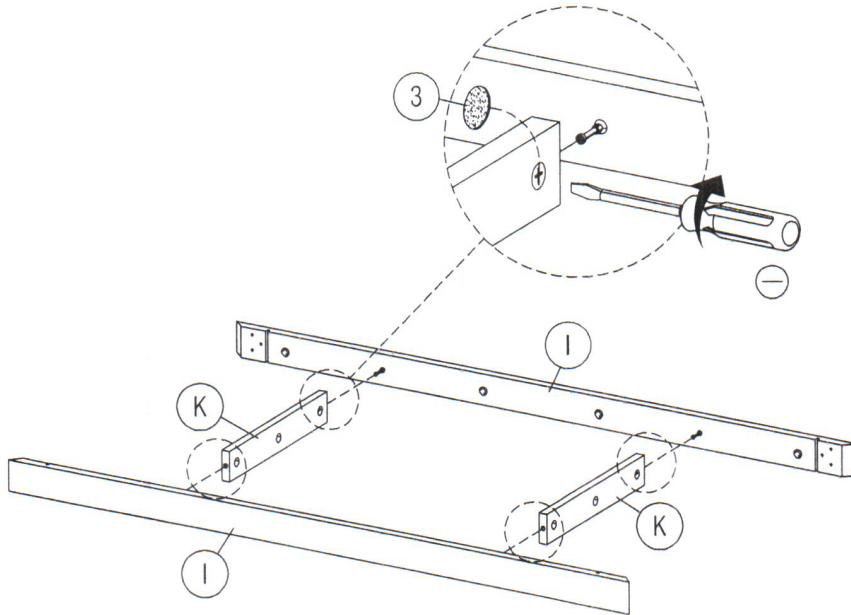


# DRESSER ASSEMBLY INSTRUCTIONS

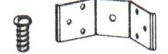
STEP 14 :



3 x 4

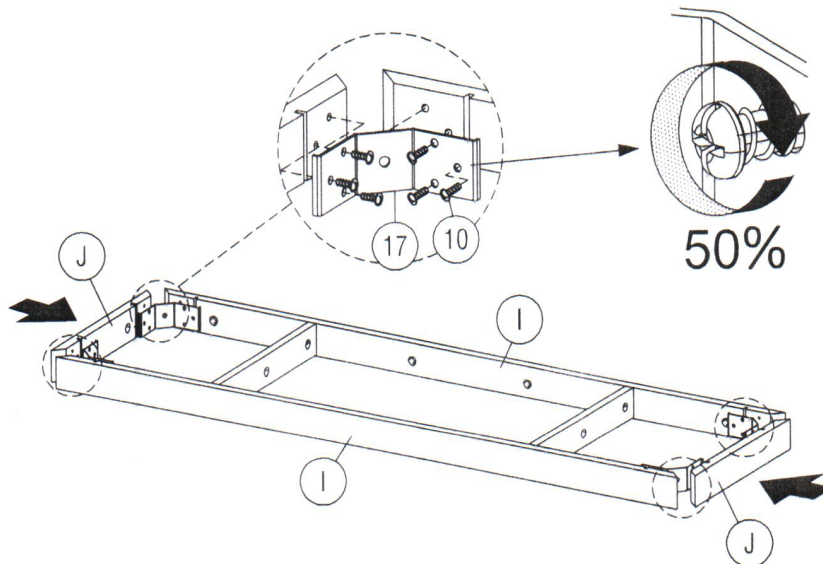


STEP 15 :



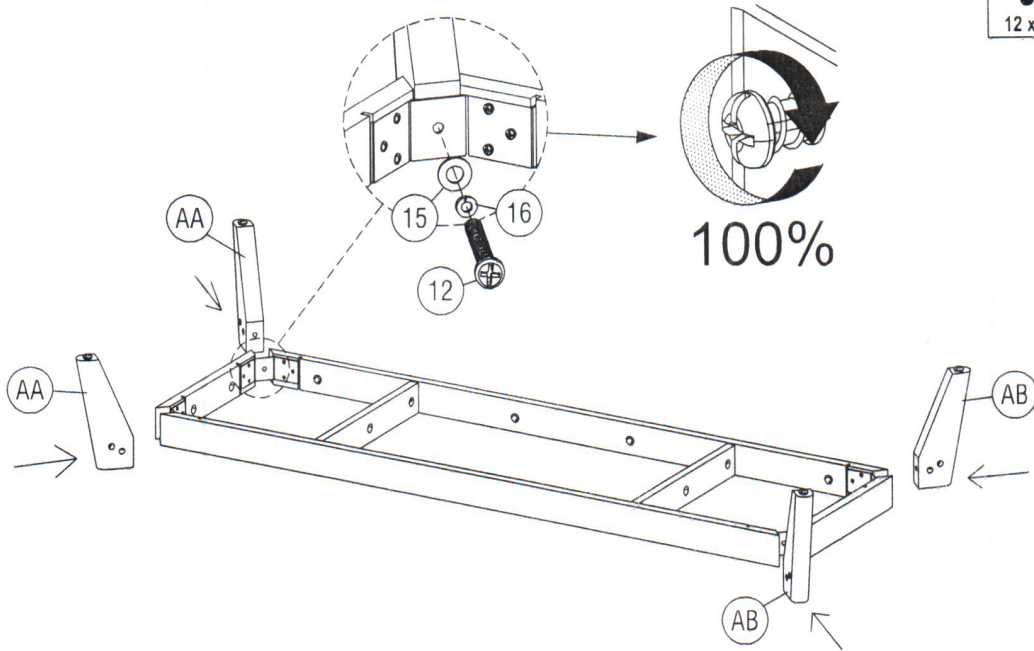
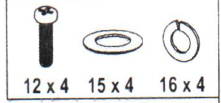
10 x 24

17 x 4

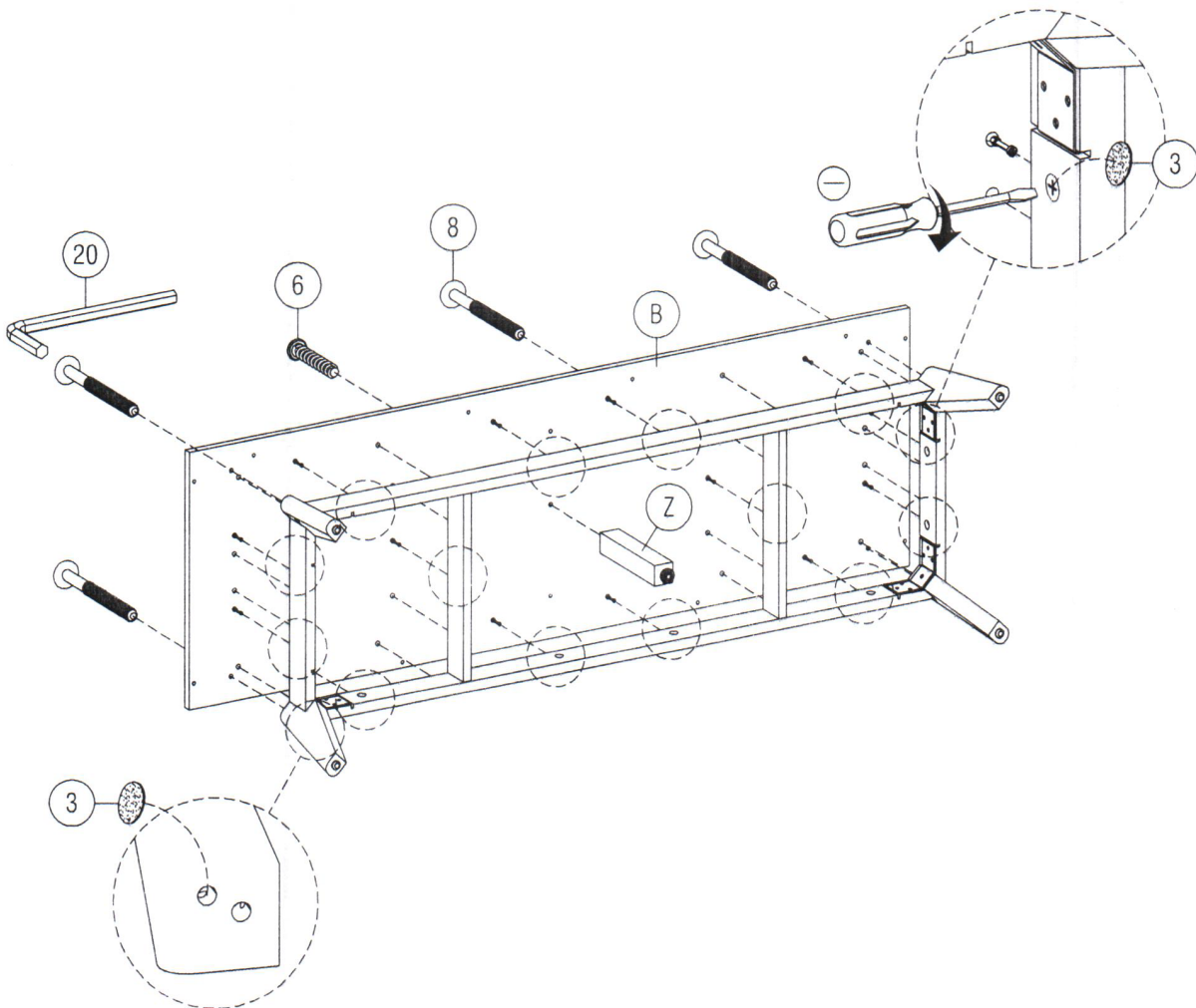


# DRESSER ASSEMBLY INSTRUCTIONS

STEP 16 :



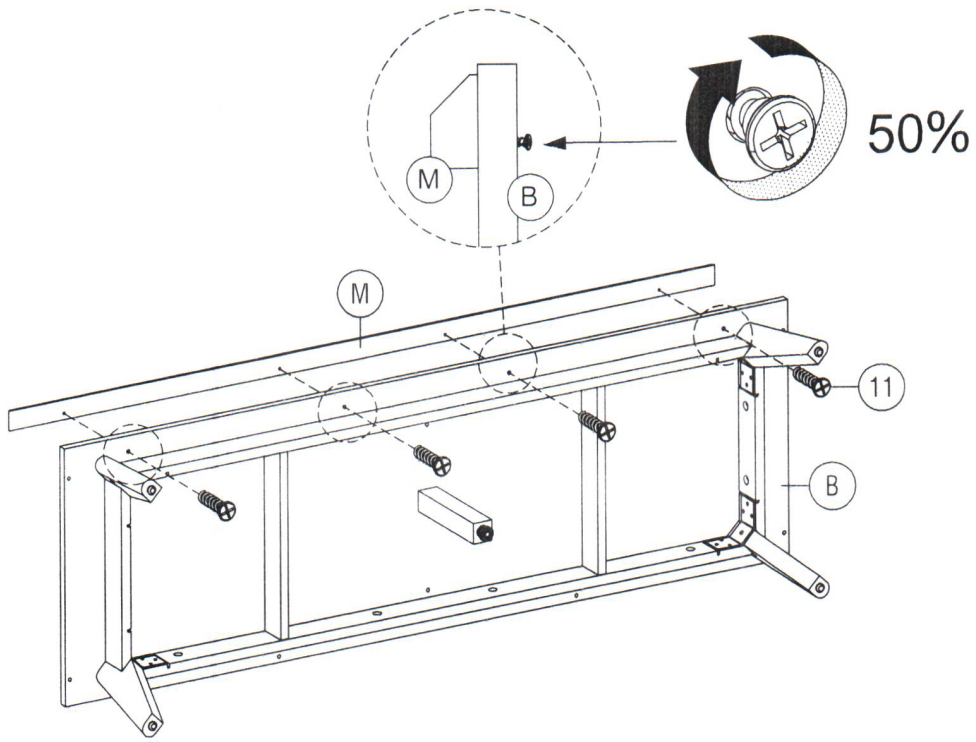
STEP 17 :




# DRESSER ASSEMBLY INSTRUCTIONS

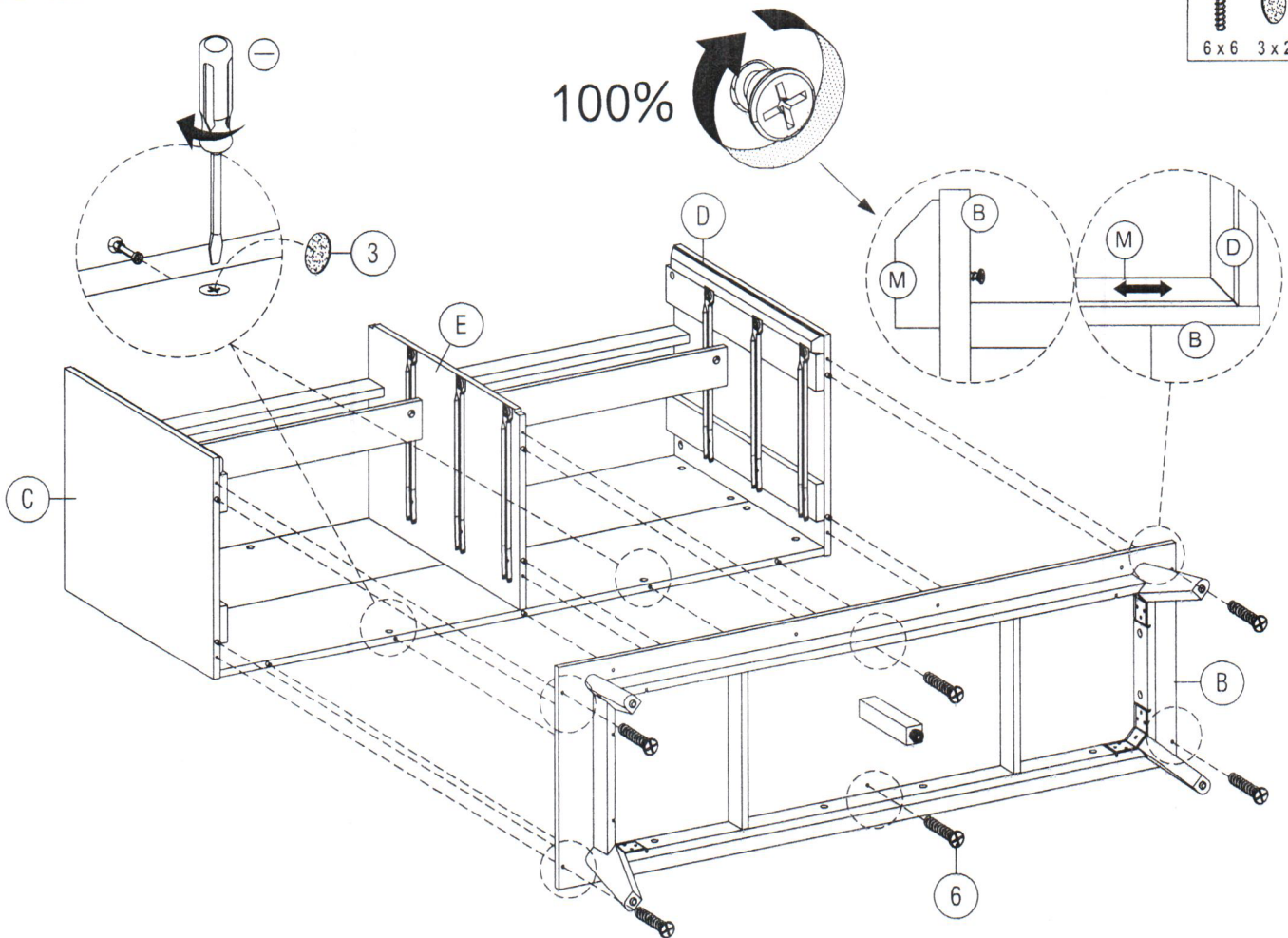
STEP 18 :

  
11 x 4



STEP 19 :

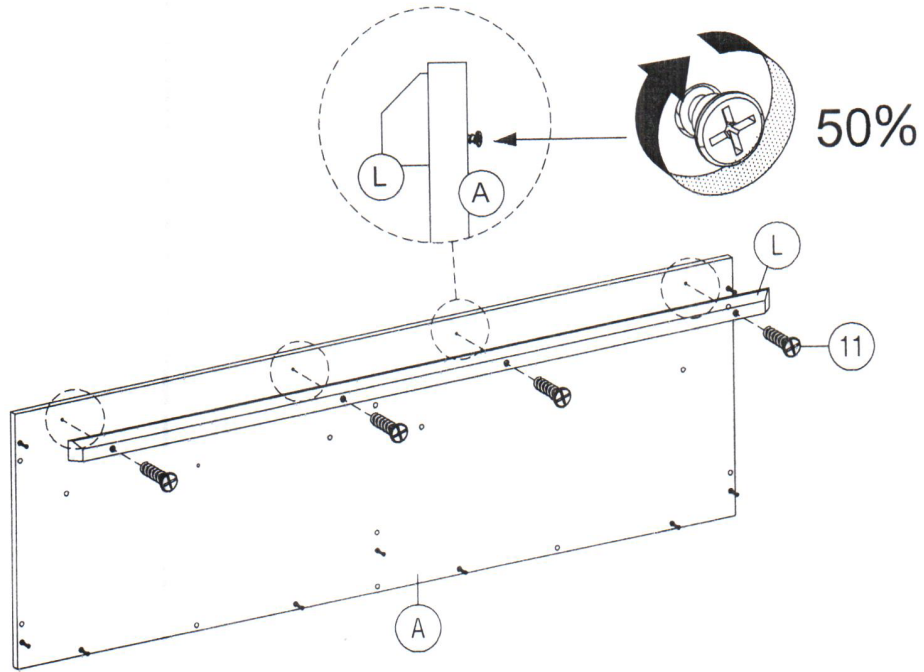
 6 x 6  3 x 2




# DRESSER ASSEMBLY INSTRUCTIONS

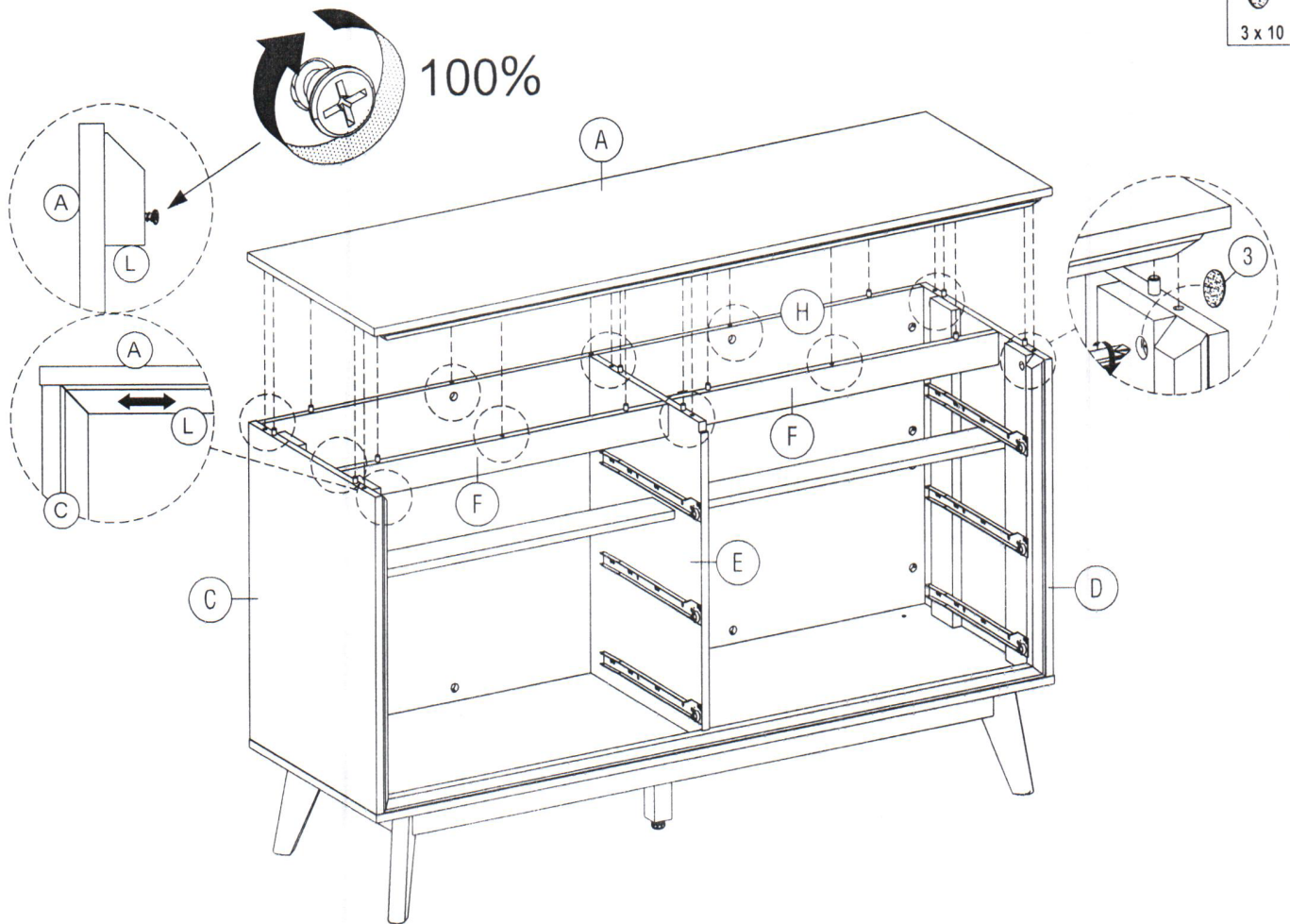
STEP 20 :

  
11 x 4








STEP 21 :

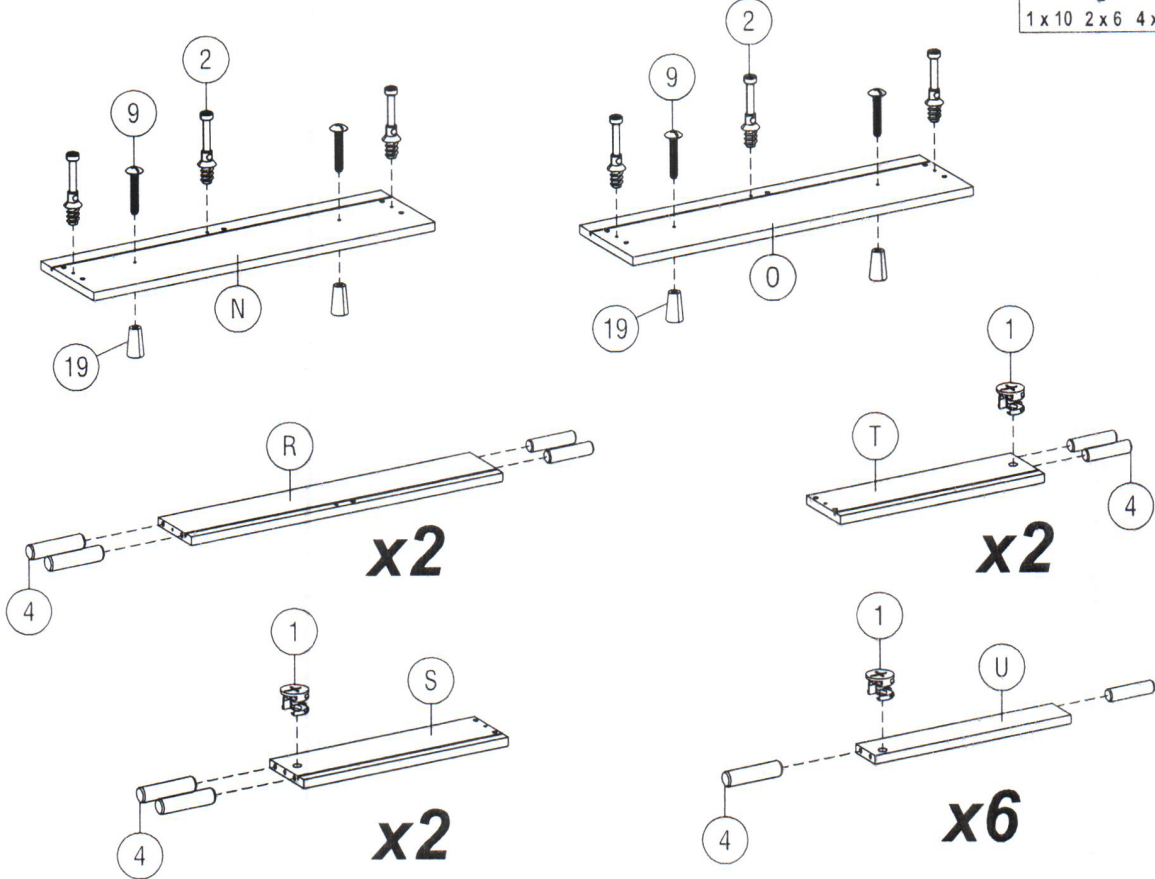
  
3 x 10



# DRESSER ASSEMBLY INSTRUCTIONS

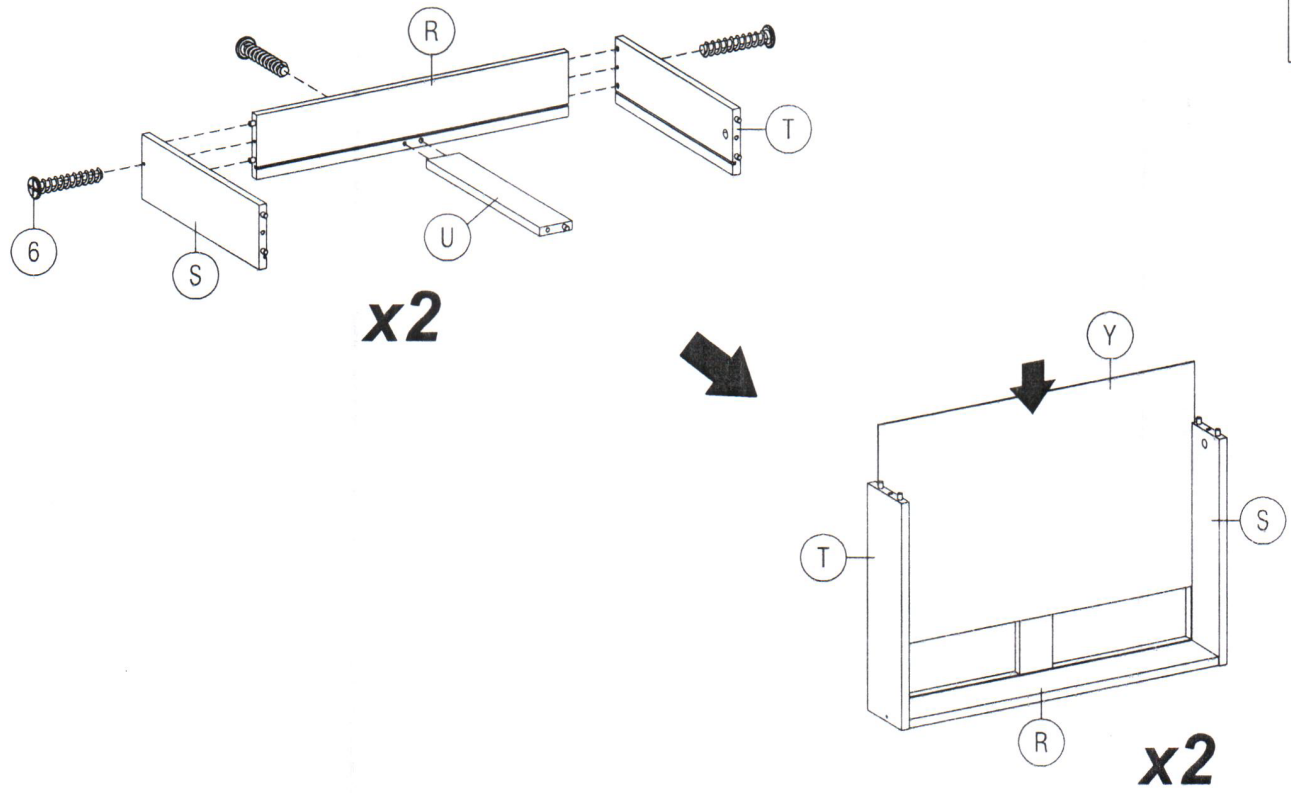
STEP 22 :

-  1 x 10
-  2 x 6
-  4 x 28
-  9 x 4
-  19 x 4



STEP 23 :

-  6 x 6

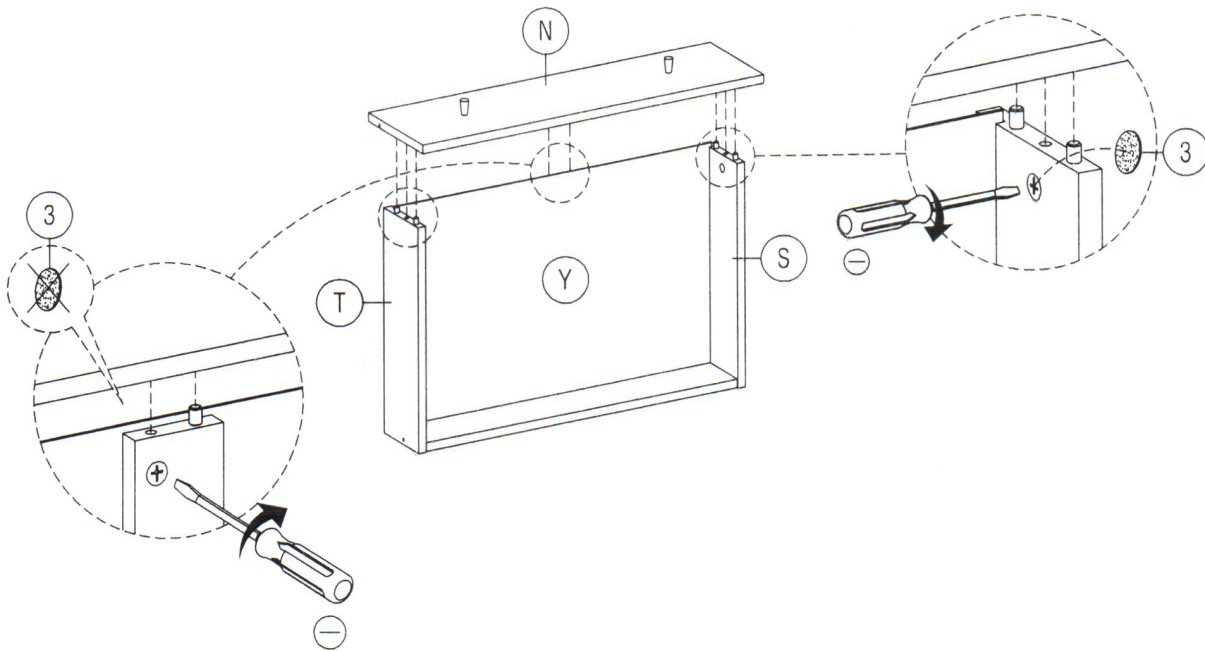


# DRESSER ASSEMBLY INSTRUCTIONS

STEP 24 :

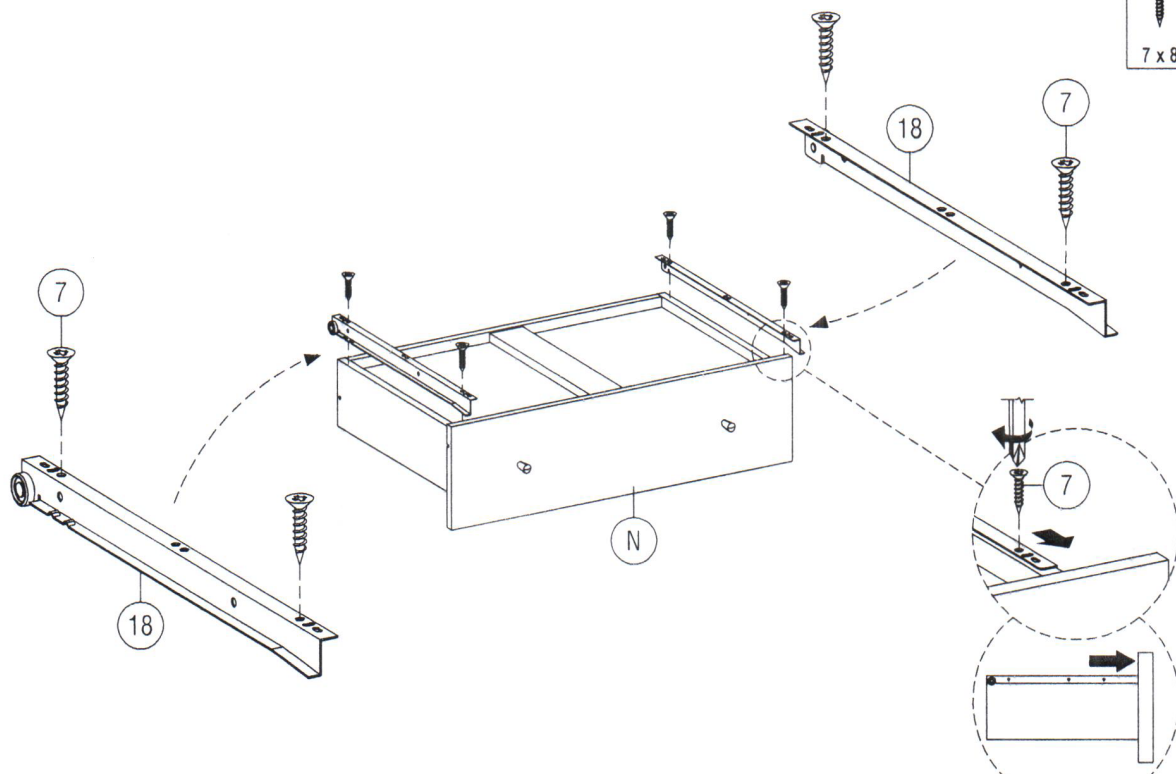
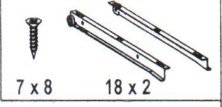


3 x 4



**NOTE: APPLY THE SAME ASSEMBLY STEPS TO ATTACH DRAWER FACE "O" TO DRAWER BOX.**

STEP 25 :

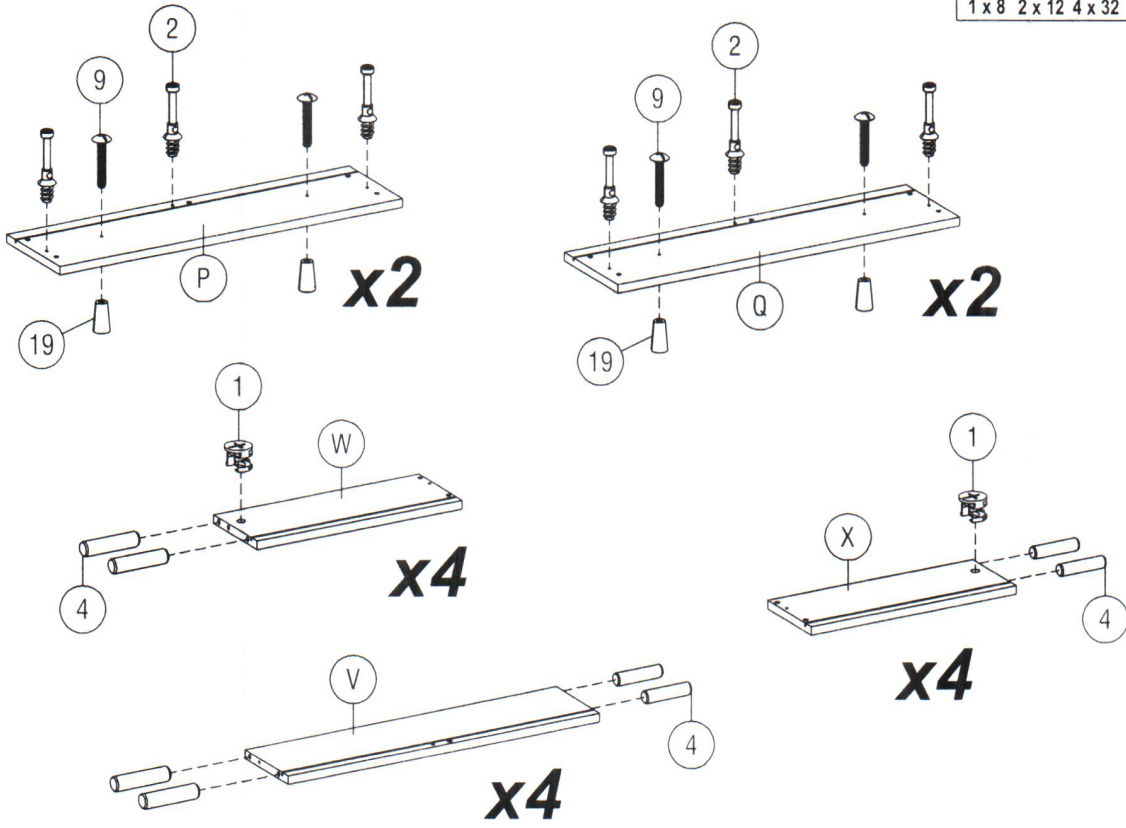
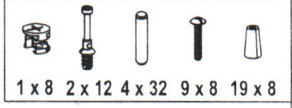


Drawer Glides must be pushed up against drawer front before securely tightened.

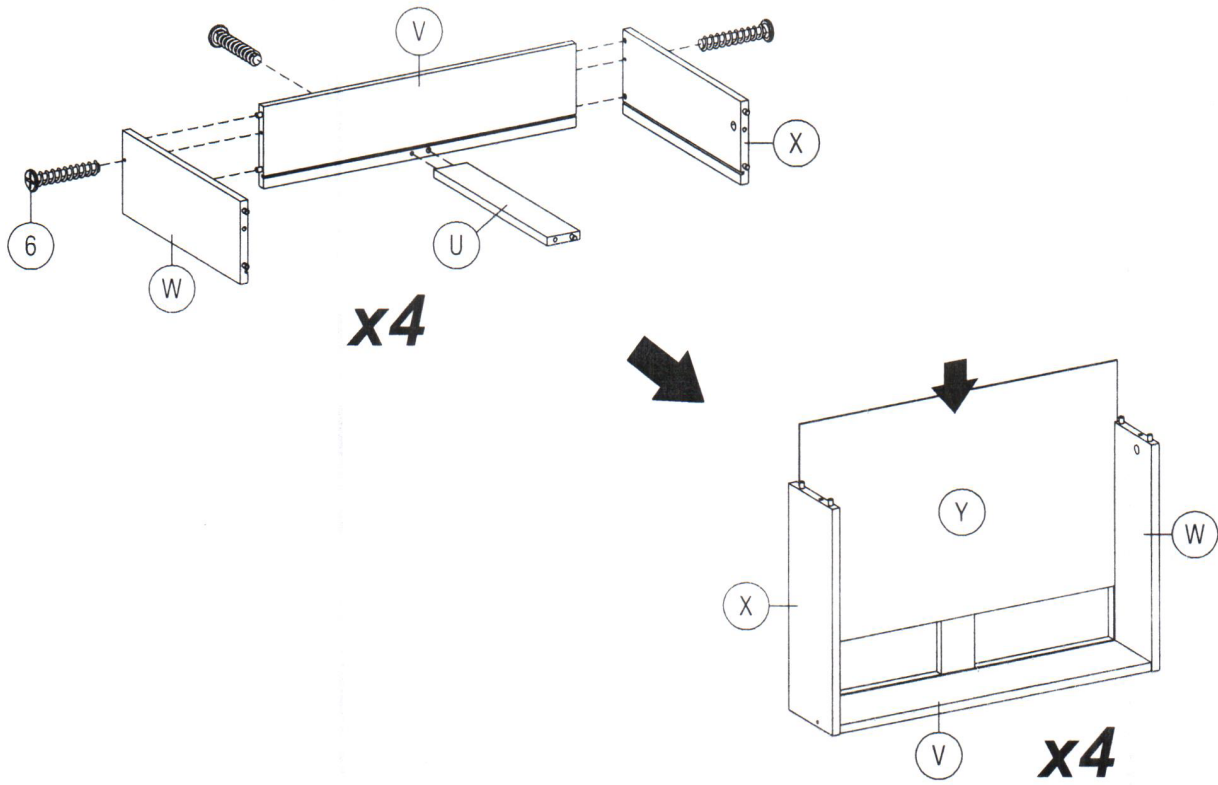
**NOTE: APPLY THE SAME ASSEMBLY STEPS TO ATTACH DRAWER GLIDES TO TOP RIGHT DRAWER FACE "O" AND BOX.**

# DRESSER ASSEMBLY INSTRUCTIONS

STEP 26 :



STEP 27 :

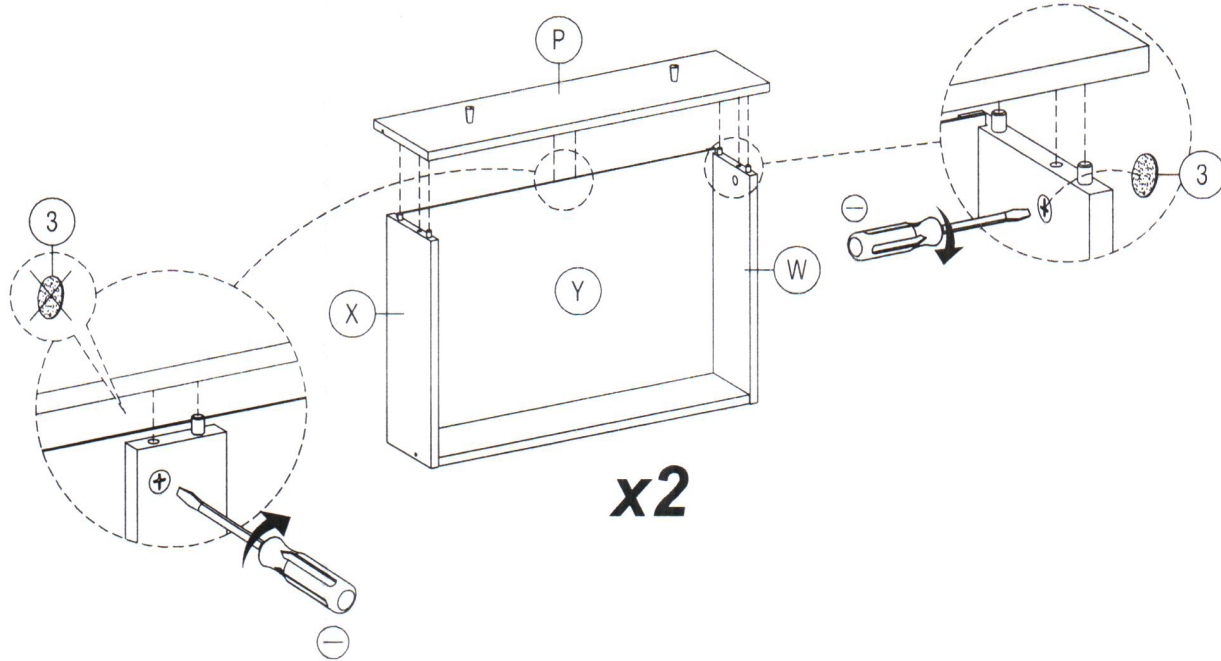


# DRESSER ASSEMBLY INSTRUCTIONS

STEP 28 :

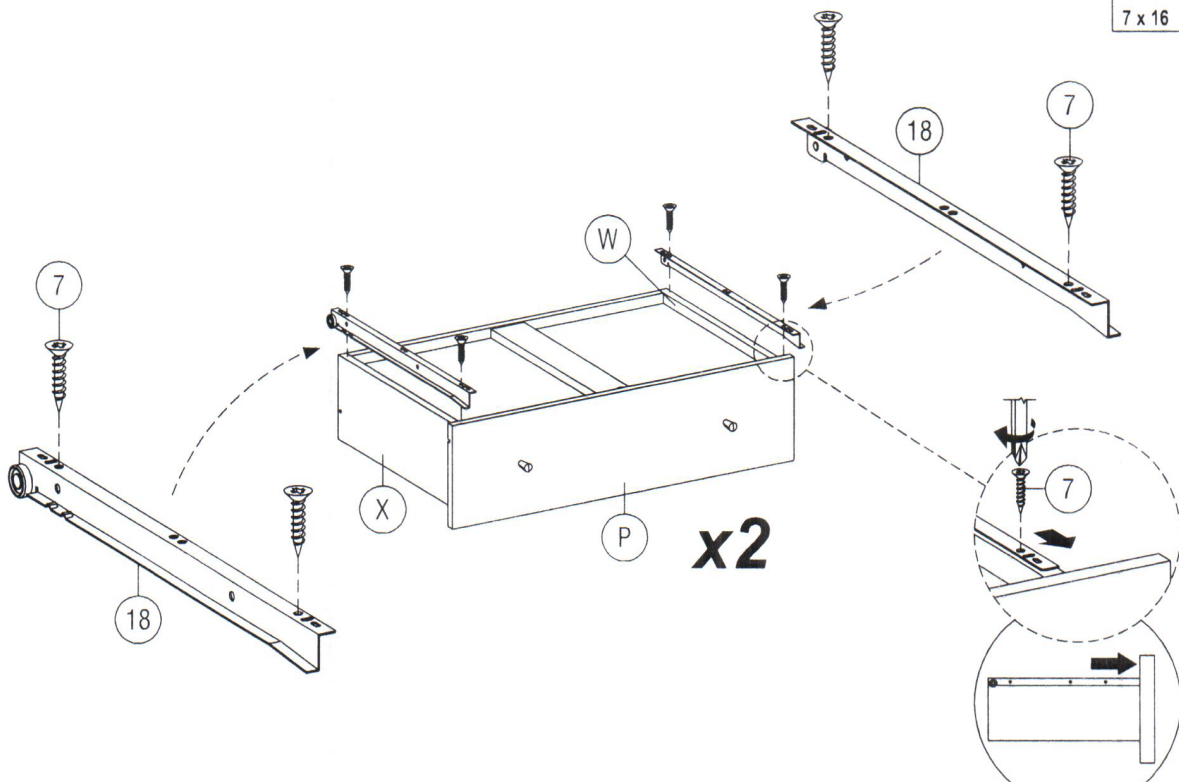


3 x 8



**NOTE: APPLY THE SAME ASSEMBLY STEPS TO  
ATTACH DRAWER FACE "Q" TO DRAWER BOX.**

STEP 29 :



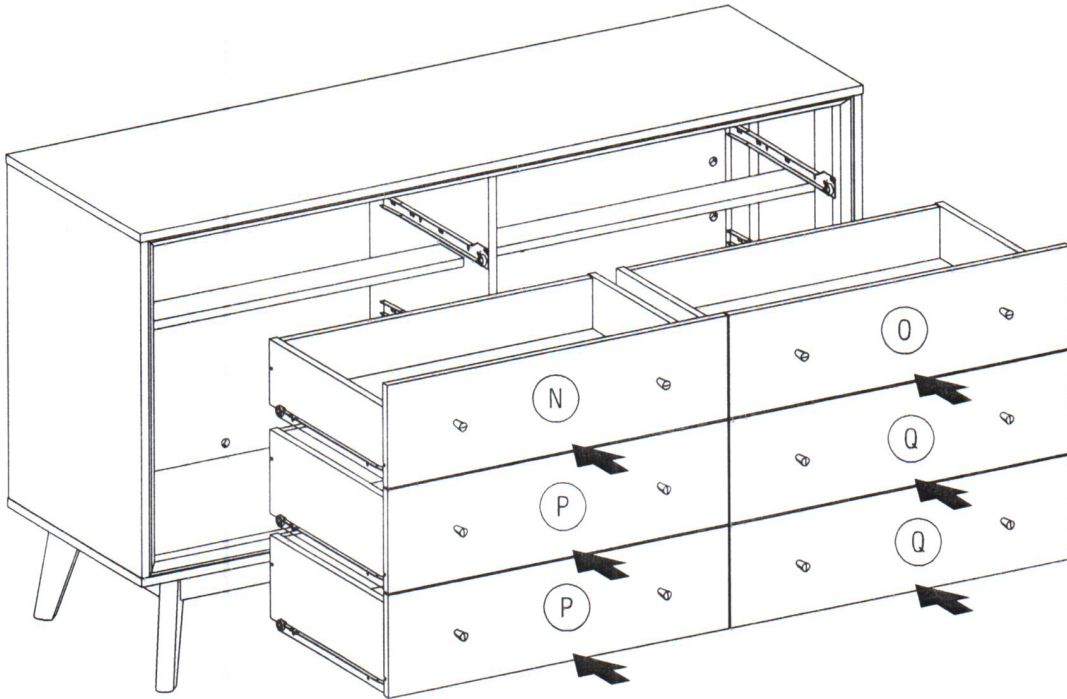
Drawer Glides must be pushed up  
against drawer front  
before securely tightened.

**NOTE: APPLY THE SAME ASSEMBLY STEPS TO  
ATTACH DRAWER GLIDES TO DRAWER FACE "Q" AND BOX.**

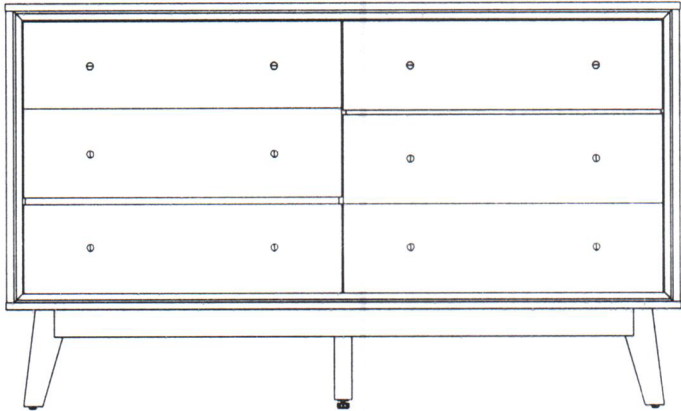
# DRESSER ASSEMBLY INSTRUCTIONS

STEP 30 :

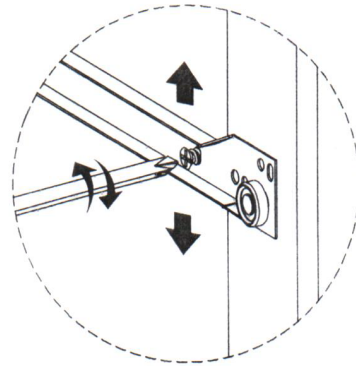
  
22 x 12



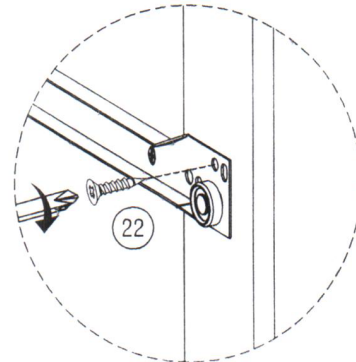
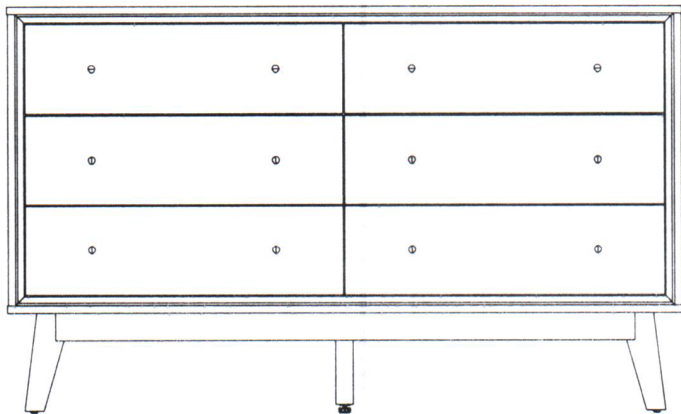
## ADJUSTING UNEVEN DRAWERS



STEP 1 (TO ADJUST THE DRAWER GLIDES UP OR DOWN)

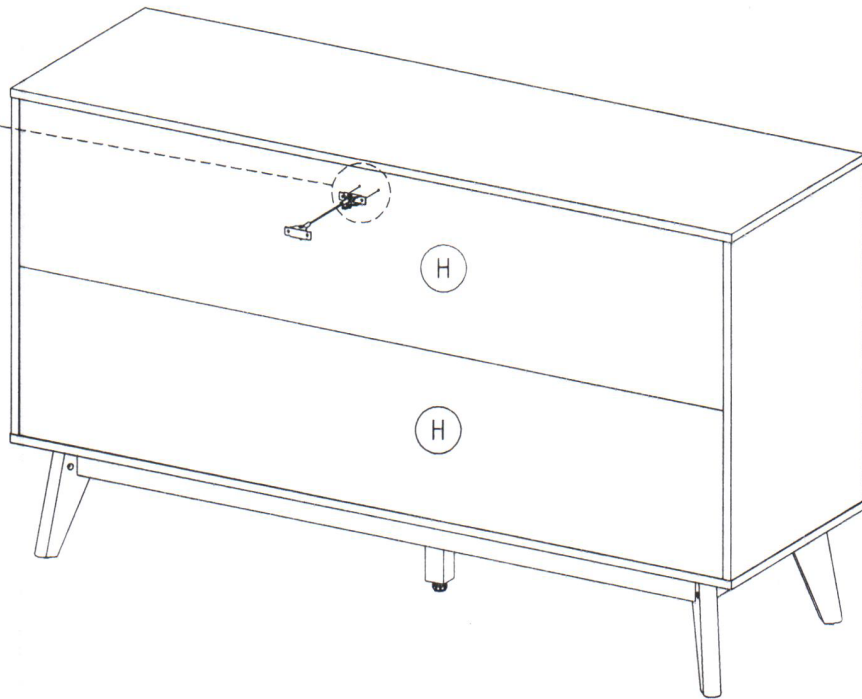
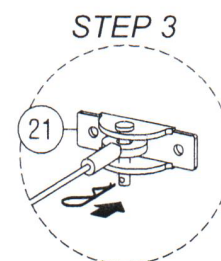
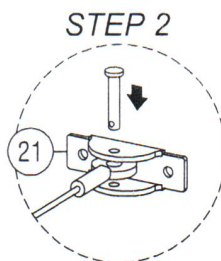
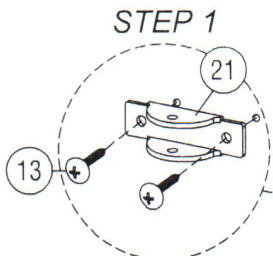
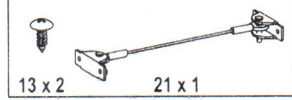


STEP 2 (SECURE WITH SCREW AFTER DRAWER HAS BEEN LEVELED)

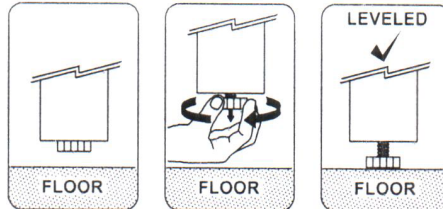


# DRESSER ASSEMBLY INSTRUCTIONS

STEP 31:








### ADJUSTABLE CENTER SUPPORT LEG







# FURNITURE TIP OVER RESTRAINT INSTALLATION MANUAL








**Table I: Hardware List**

ID	Photo	Description	Size (mm)	Quantity
13		Short Screw	3x12	2
21		Bracket	51x16x18	2
		Clovis Pin	6x32	2
		R Clip	1.5x28	2
		Cable	2x175	1

**Table II: Wall Types, Drill Bits and Fasteners**

Wall Type	Drill Bit	Fastener
Drywall/Plaster, With Wood Studs		3 mm Long Screw (F) Screwed Directly Into Stud
Drywall/Plaster, Without Wood Studs		9 mm Toggle Bolt (Not Included)
Solid Stone, Brick/Masonry		7 mm Wall Anchor (Not Included)
Hollow Stone, Brick/Masonry		9 mm Toggle Bolt (Not Included)

**Table III: Recommended Tools**

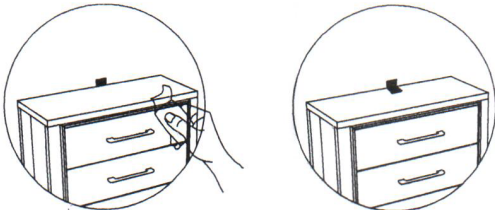
Philips Screwdriver		Tape Measure	
Drill		Painter's Tape	
Hammer		Pencil	
Stud Finder			

**WARNING**

- MANUFACTURER RECOMMENDS FASTENING BRACKET DIRECTLY TO WALL STUDS WITH LONG SCREW (F). USE OTHER FASTENERS ONLY IF REQUIRED BY WALL TYPE
- USE PAINTER'S TAPE OR OTHER REMOVABLE MATERIAL FOR MARKINGS

**1. Position furniture in desired location and mark centers**

- a. Mark wall at the horizontal center of furniture top panel      b. Mark furniture directly adjacent to wall marking



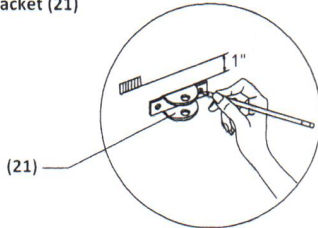
**2. Move furniture away from wall**



**3. Mark pilot hole location on wall**

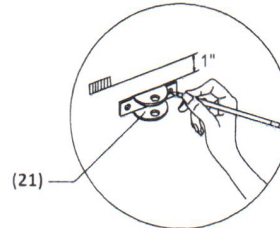
- a. For drywall or plaster walls with wood studs:

Locate wall stud nearest wall marking. Center Bracket (21) screw holes on wall stud. Position top edge of bracket (21) one inch (1") below wall marking. Mark pilot hole location using screw holes in Bracket (21)

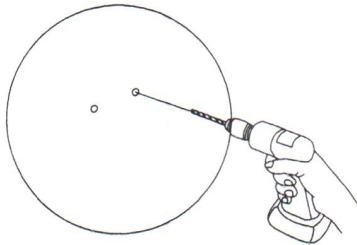


- b. For other wall types:

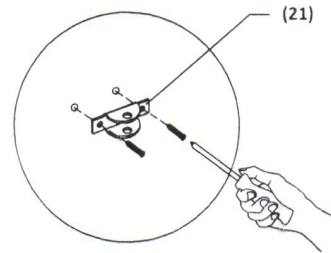
Position Bracket (21) vertical on wall with top of bracket one inch (1") below center mark. Mark pilot hole locations using screw holes in bracket (21)



**4. Identify correct Pilot Hole Drill Bit for Wall Type using Table II above. Drill pilot holes where marked**

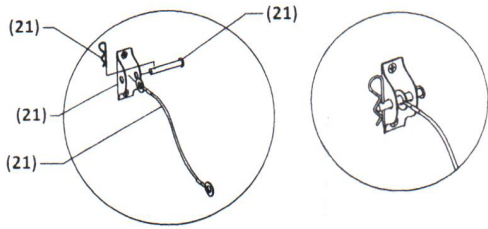


**5. Identify correct Wall Fastener type for wall Type using Table II above. Secure Bracket (21) to wall**

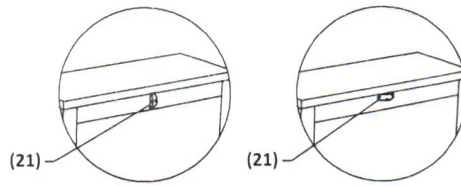


# FURNITURE TIP OVER RESTRAINT INSTALLATION MANUAL

6. Secure Cable (21) to wall (21) using Clovis pin (21) and R Clip (21)

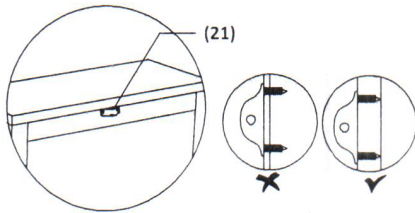


7. Find location near top of furniture to install Bracket (21)

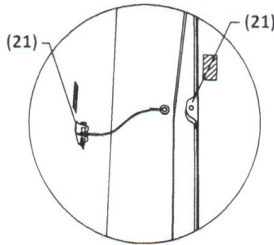


8. Position Bracket (21) on back of furniture and mark pilot hole locations

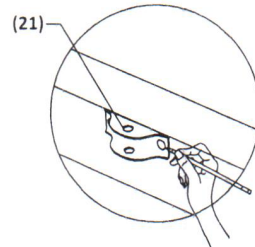
Ensure both screw holes are positioned on solid surface at least 3/4 inch thick



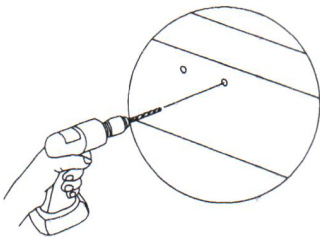
Use center marks from step 1 to ensure Brackets (21) are close enough to connect with cable (21)



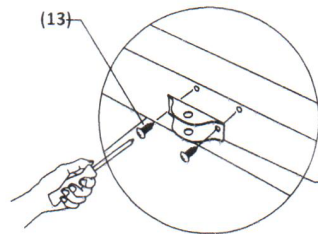
Use screw holes in Bracket (21) to mark pilot hole locations



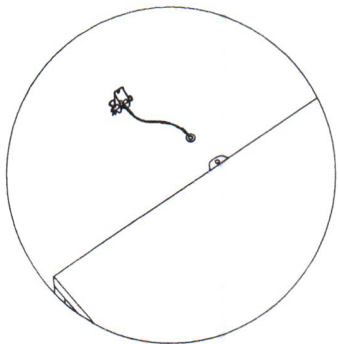
9. Drill pilot holes with 3 mm Drill Bit



10. Secure Bracket (21) to furniture using Short Screw (13)



11. Position furniture in desired location



12. Secure Cable (21) to furniture Bracket (21) using Clovis Pin (21) and R clip (21)

