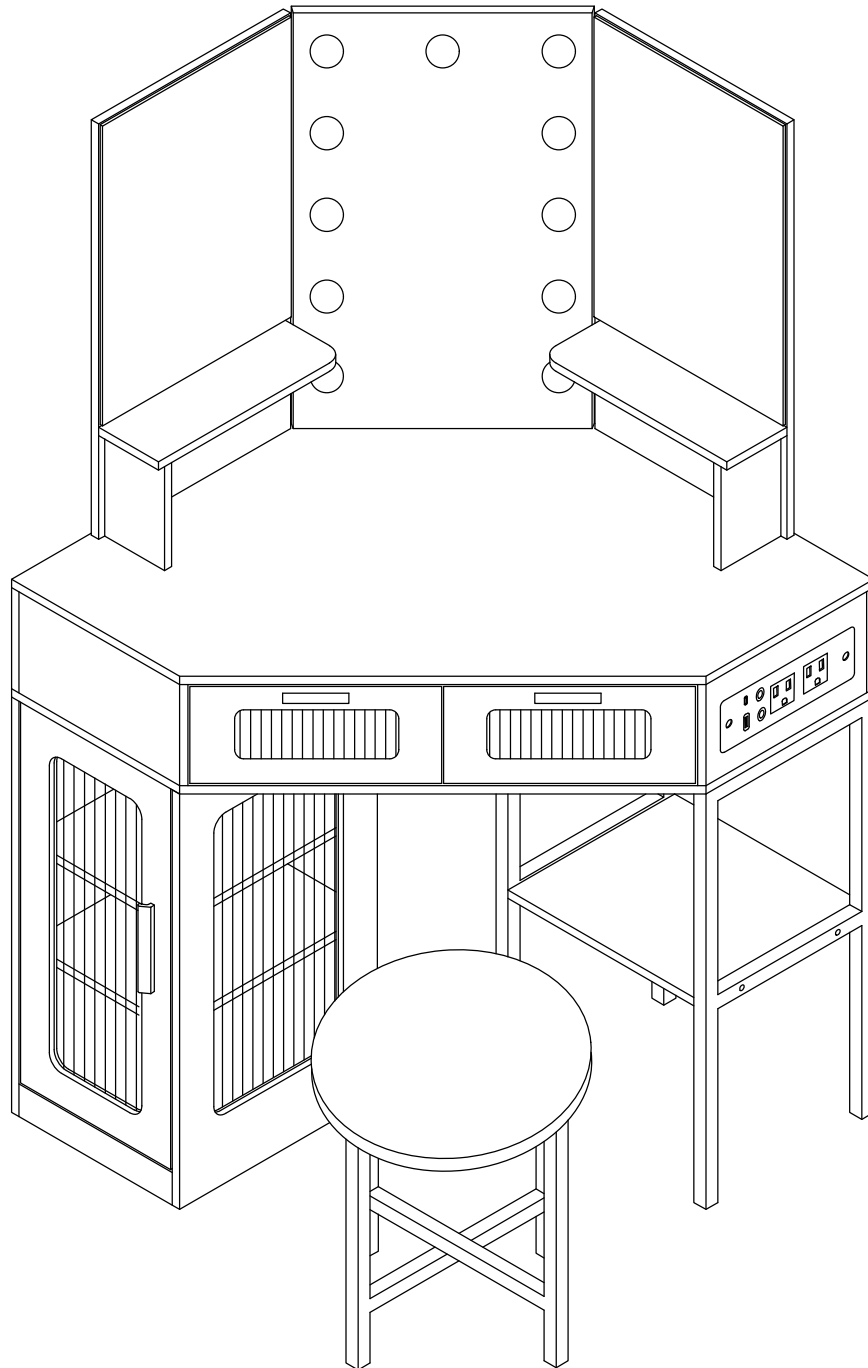
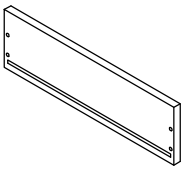
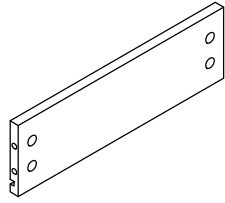


Product Installation Instructions

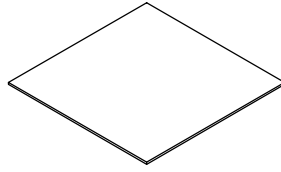




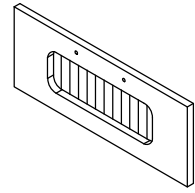
1x2



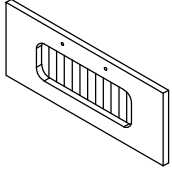
2x4



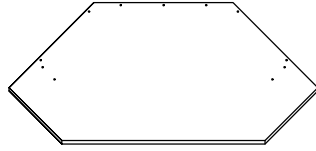
3x2



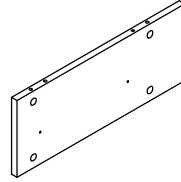
4x1



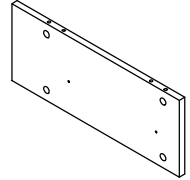
5x1



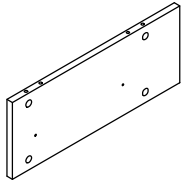
6x1



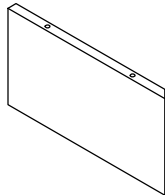
7x1



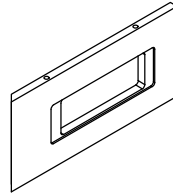
8x1



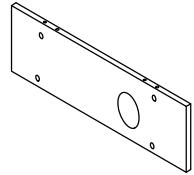
9x1



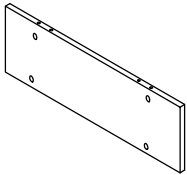
10x1



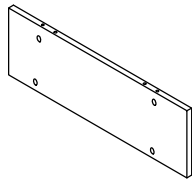
11x1



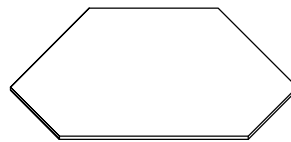
12x1



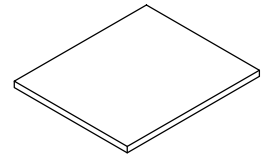
13x1



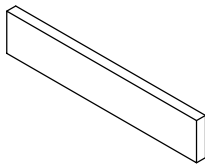
14x1



15x1



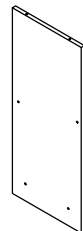
16x1



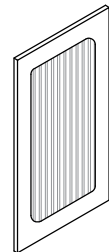
17x1



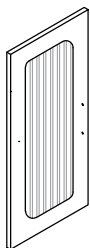
18x1



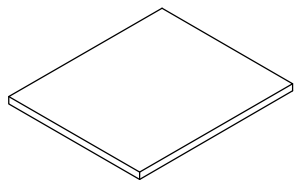
19x1



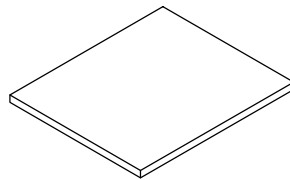
20x1



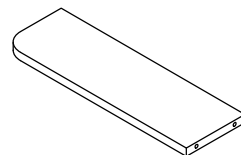
21x1



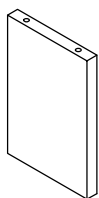
22x1



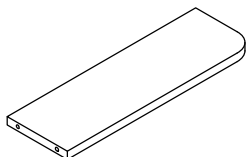
23x2



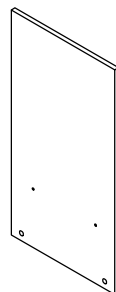
24x1



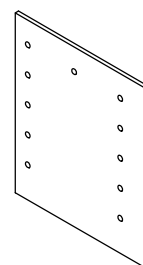
25x2



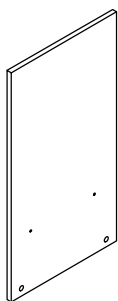
26x1



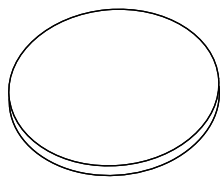
27x1



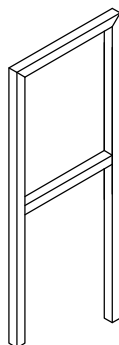
28x1



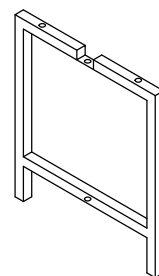
29x1



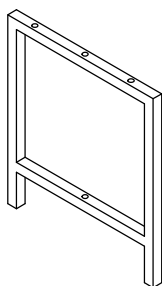
30x1



31x2

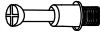

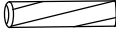
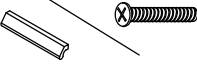

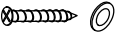
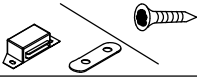



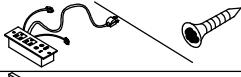

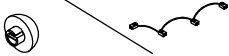

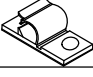




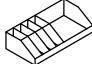


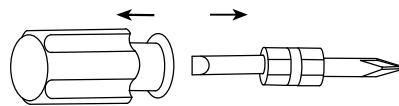
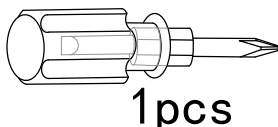
32x1



33x1

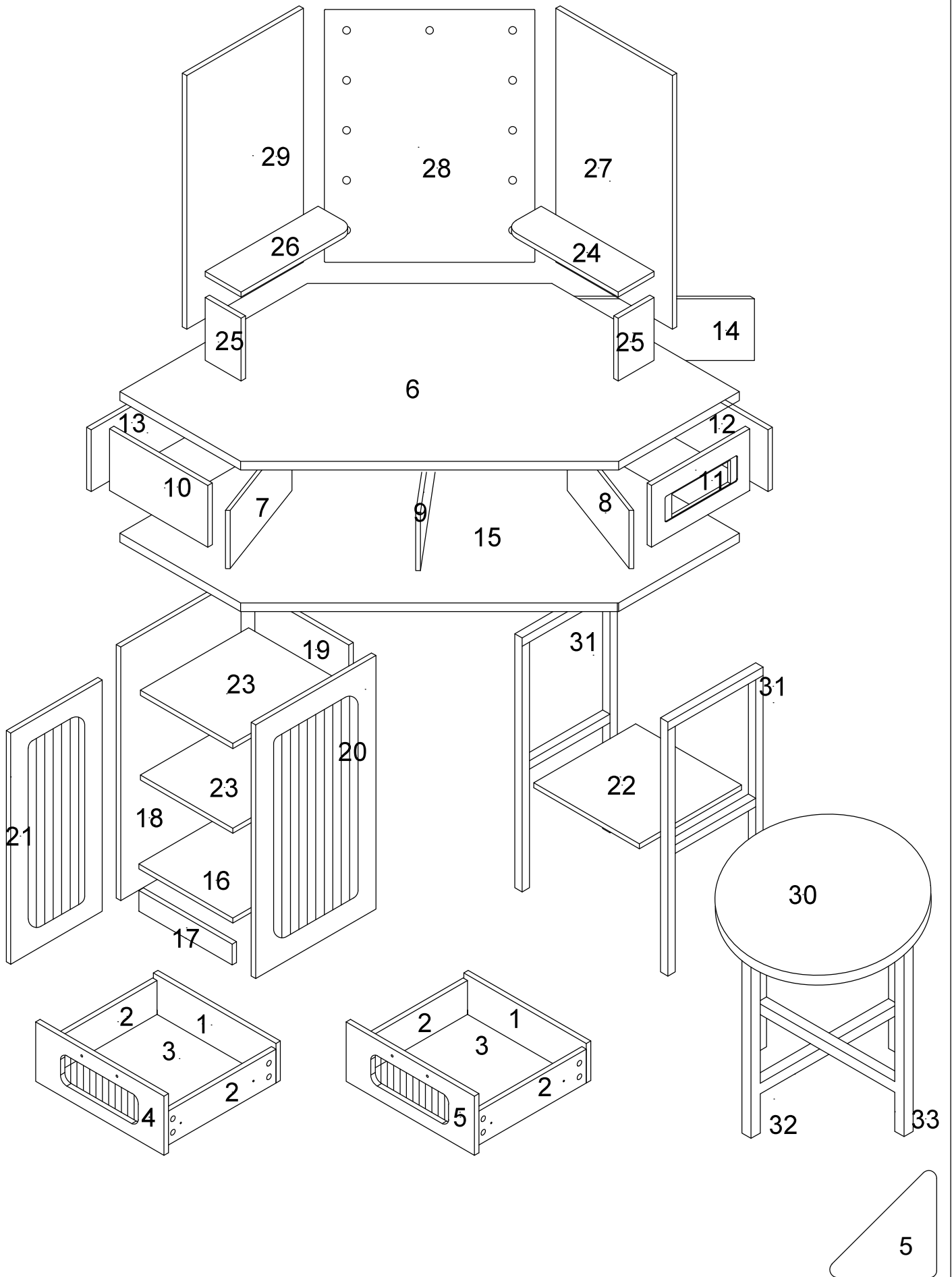
Accessories list

A		Two in one screw (6x28mm)	80pcs +5pcs
B		Two in one nut (10x12mm)	80pcs +5pcs
C		Wood chipping (6x30mm)	32pcs +4pcs
D		Handle & screw (4x16mm)	6pcs 3pcs / +1pcs
E		Non-slip pads	4pcs +2pcs
F		Self-tapping (5x40mm)	4pcs +1pcs
G		Magnetic attraction & Screw (3.0x10mm)	4pcs 1pcs / +1pcs
H		Screw (6x28mm)	9pcs +1pcs
J		Cabinet door hinge & Screw (3.5x12mm)	4pcs 2pcs / +1pcs
L		Laminate support nail	8pcs +1pcs
M		Power socket & screw (3x10mm)black	2pcs 1pcs / +1pcs
N		Screw & Guide (12 inch) (3x12mm)	20pcs 4pcs / +2pcs
P		Double end connecting line & Light Bulb	11pcs / 1pcs
Q		Perfect sticker	8pcs +2pcs
R		Clamp	4pcs +1pcs
S		anti-tipping tape Screw & gasket (4x16mm)	1pcs
T		Screw & Iron sheet (3x10mm)	4pcs 2pcs / +1pcs
U		Screw (6x16mm)	1pcs
V		Hooks	2pcs
W		Lipstick box	1pcs

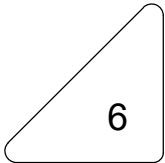
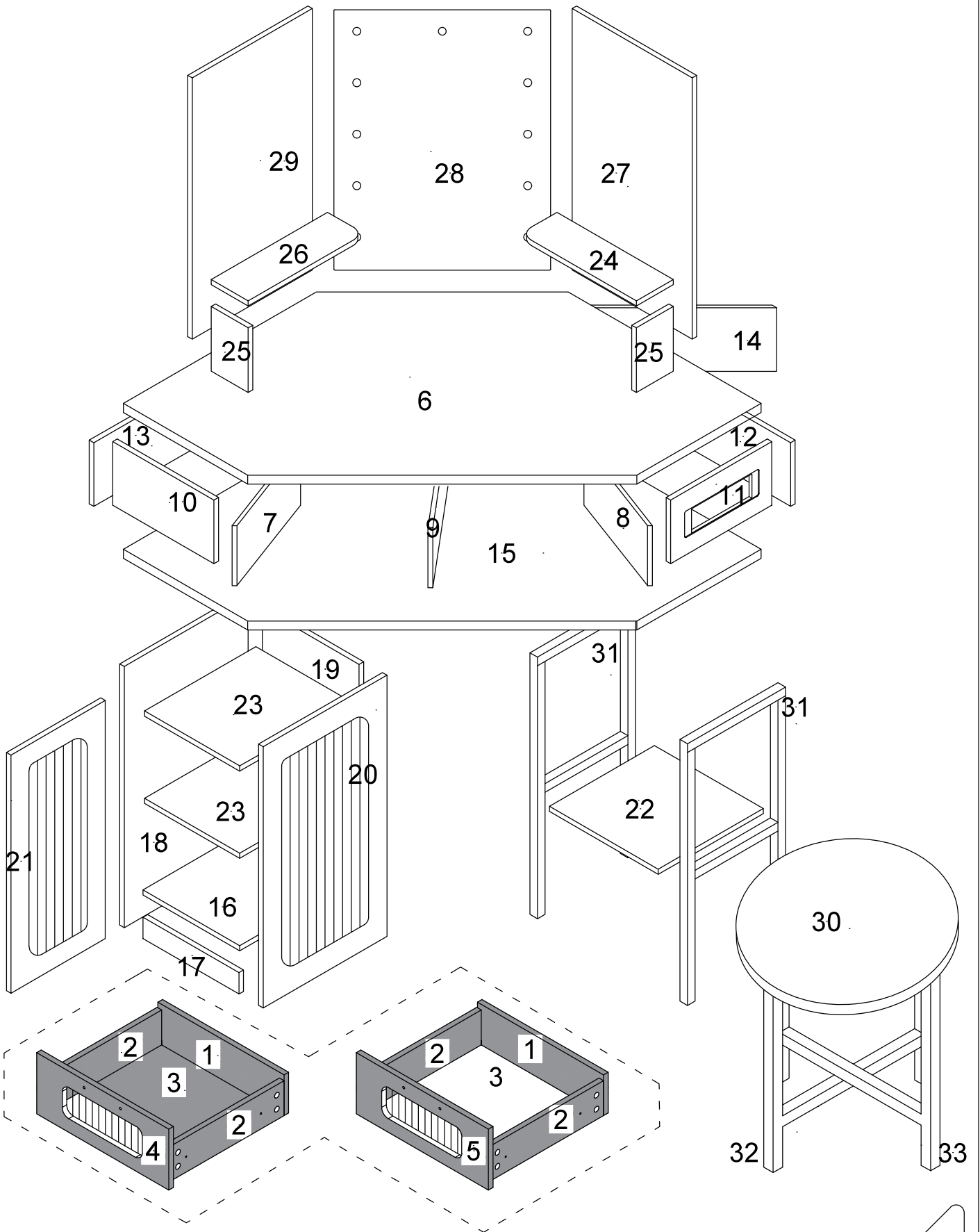


Double-head screwdriver, use as required

Product structure decomposition

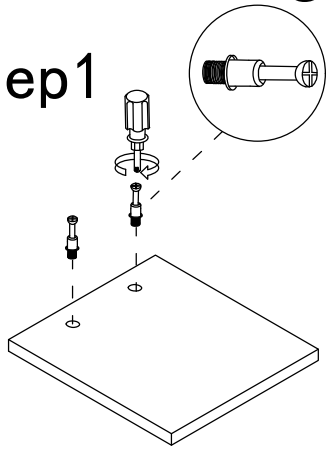


Product structure decomposition

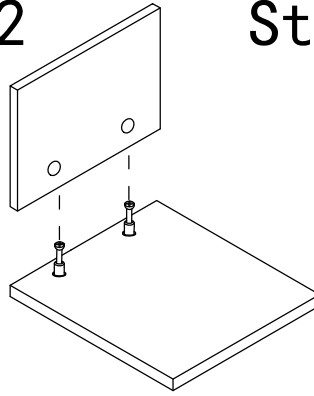


Use parts A and B

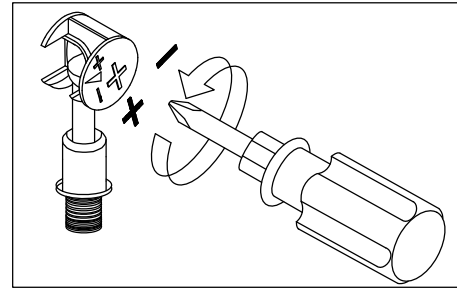
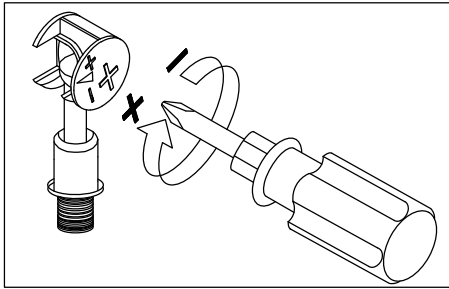
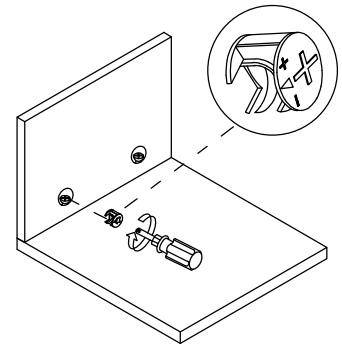
Step 1



Step 2



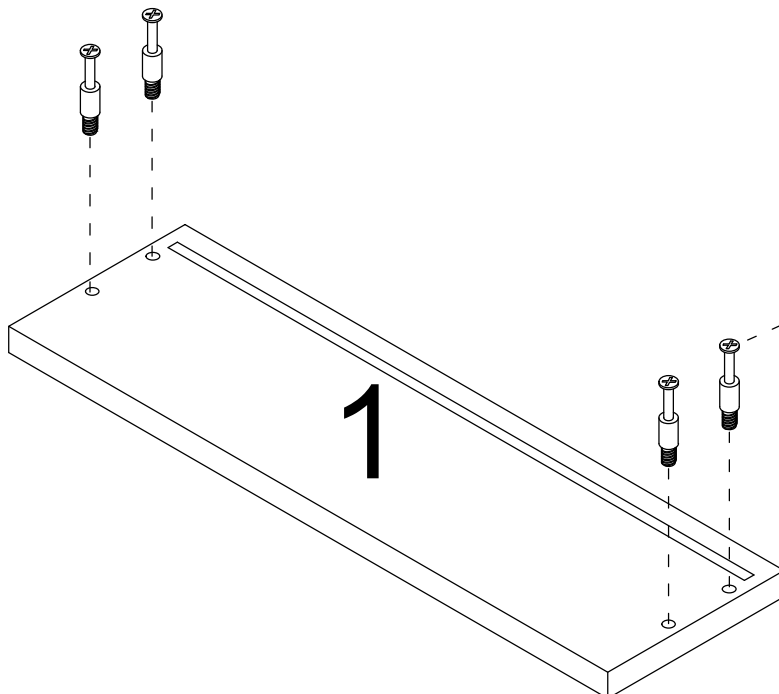
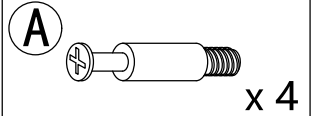
Step 3



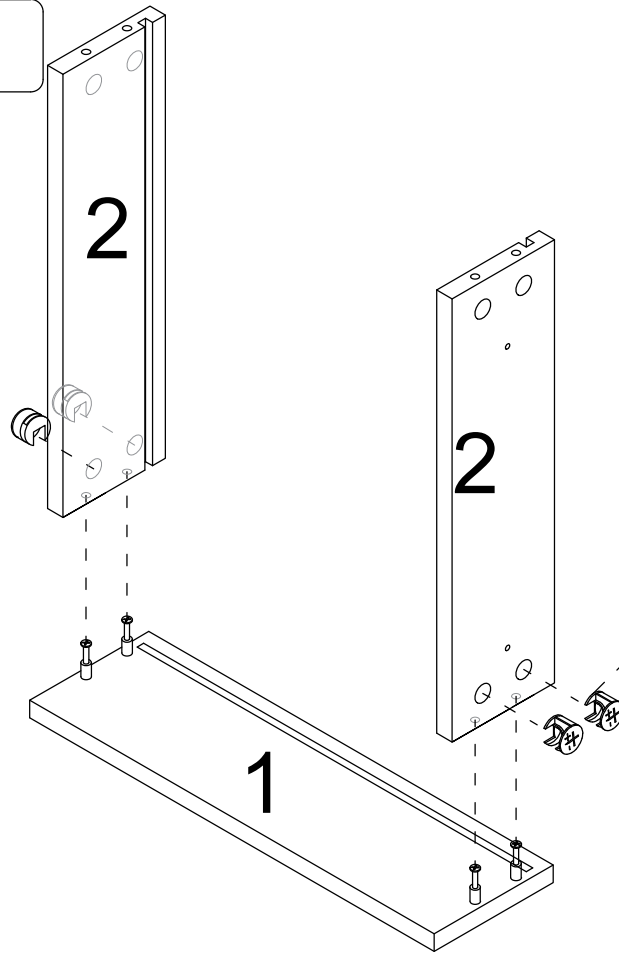
Use a screwdriver to lock in the direction of the "+" sign

Disassemble along the direction of "-" sign

Step 1



Step 2

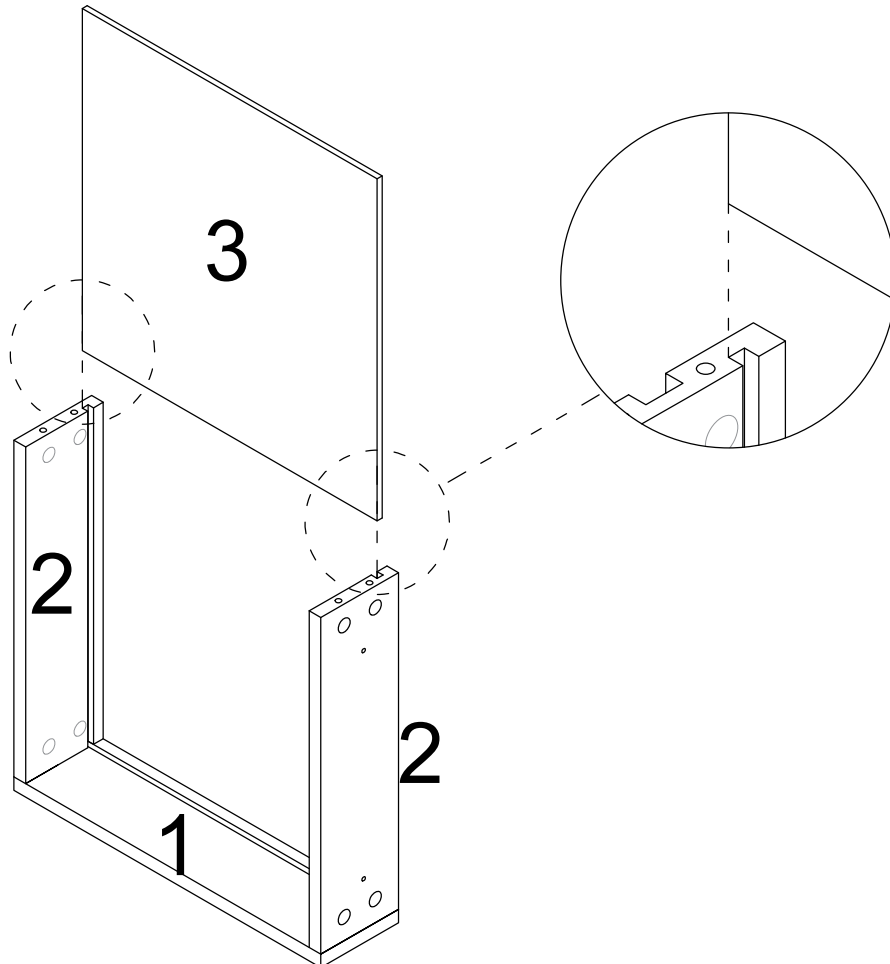


B



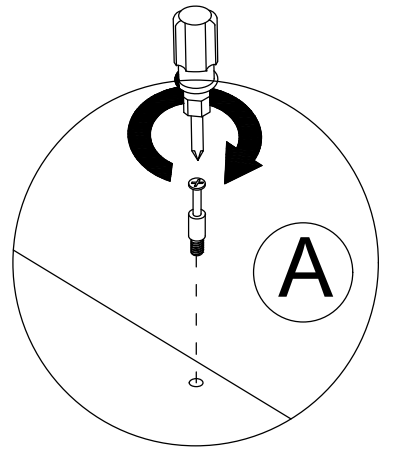
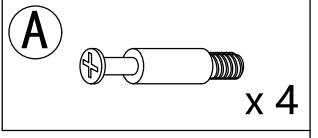
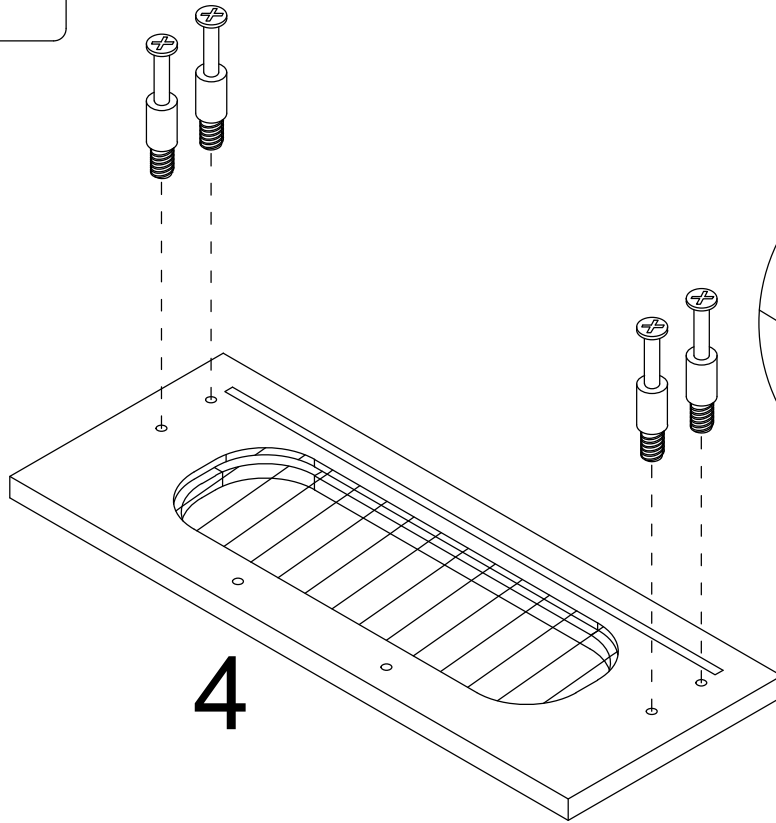
x 4

Step 3

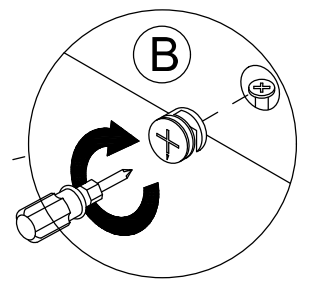
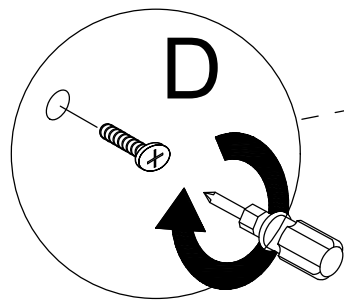
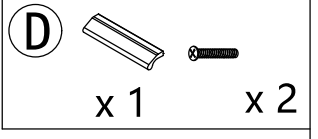
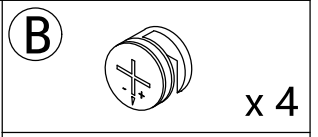
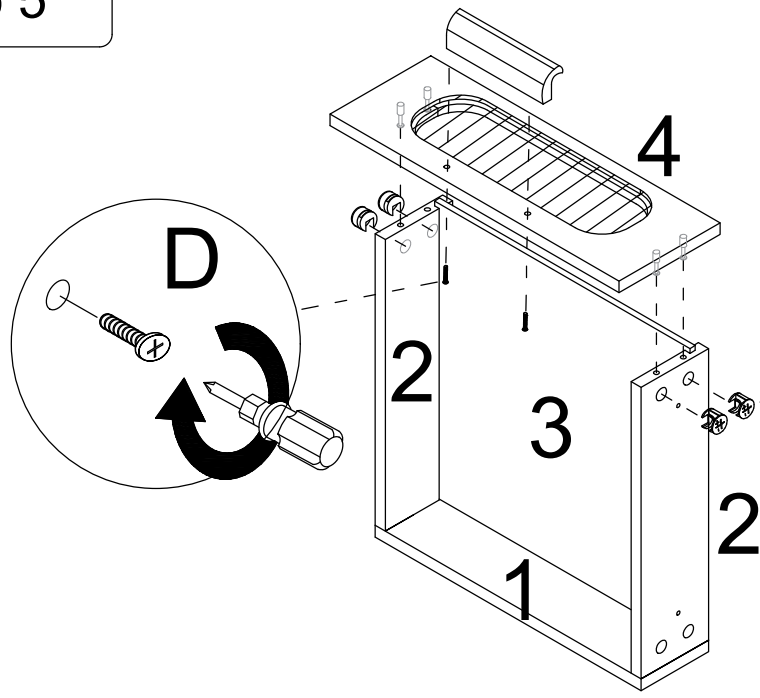


8

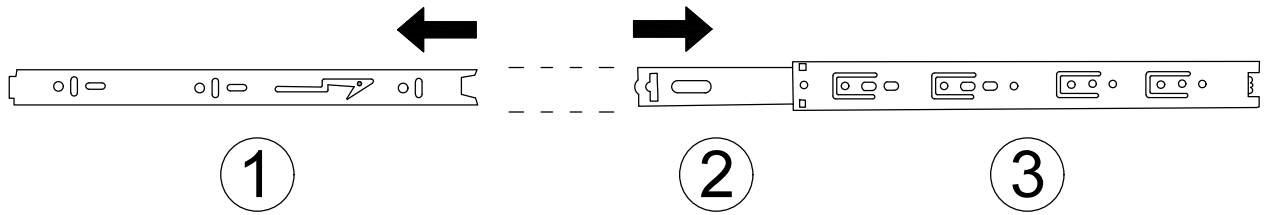
Step 4



Step 5

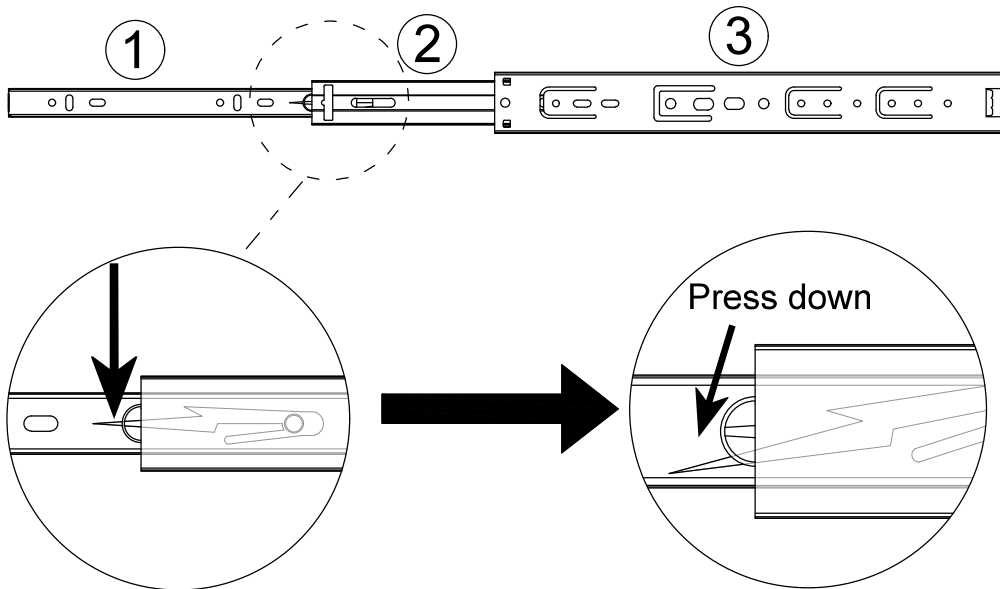


Drawer rail breakdown diagram



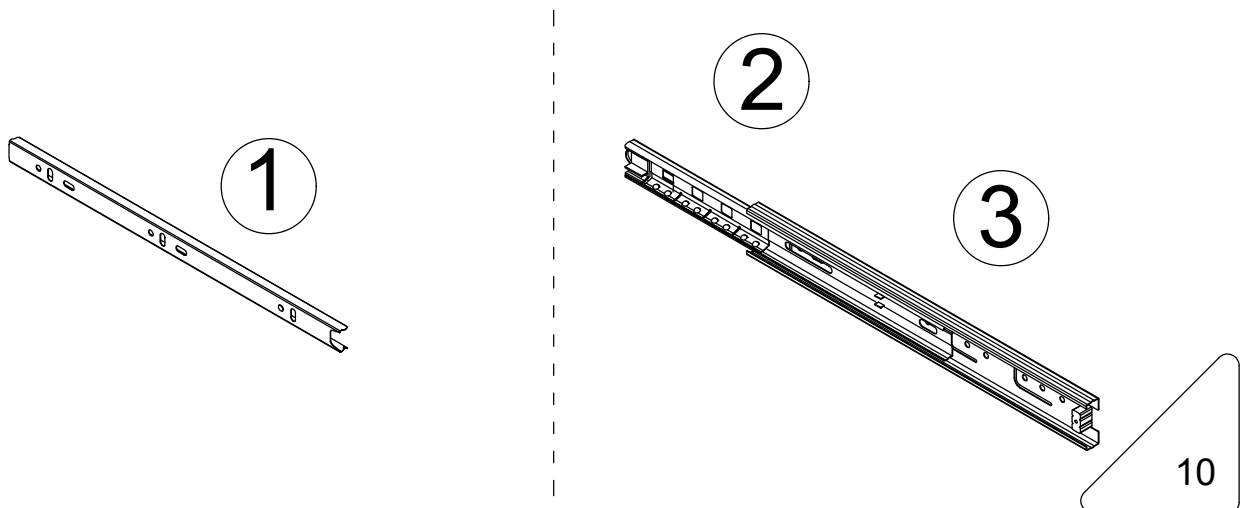
① Dismantle the schematic diagram

Step 1 : Pull the rails apart

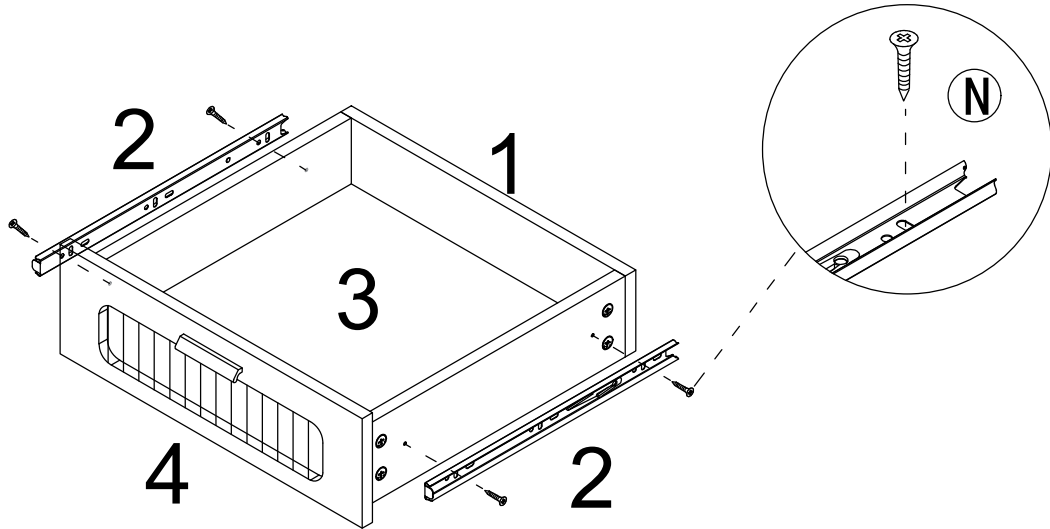
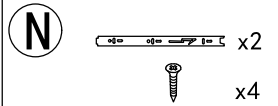
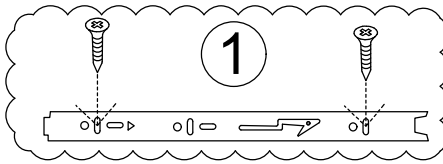


Step 2 : Press the nylon button and pull out ①.

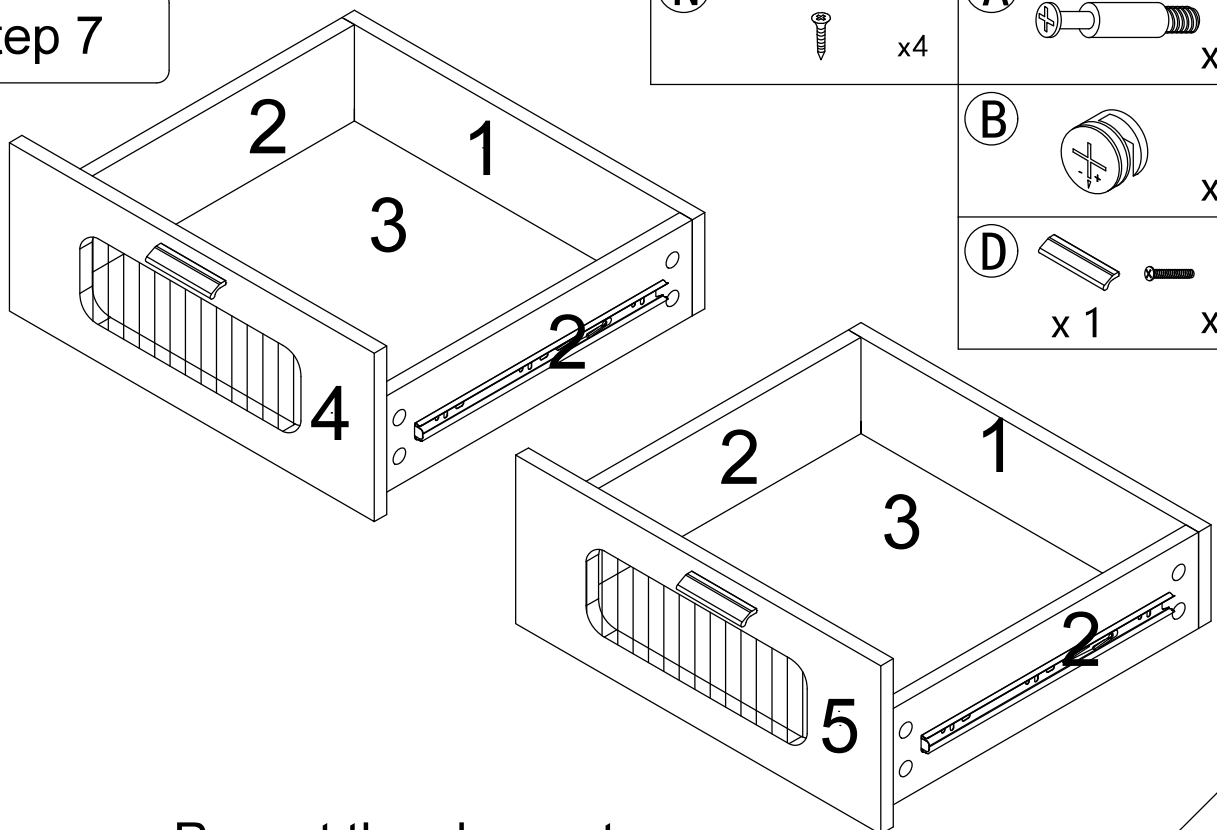
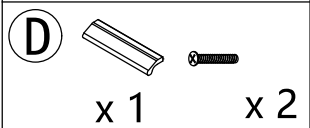
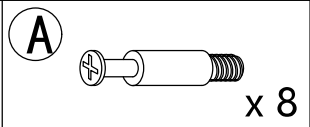
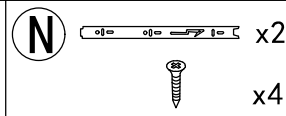
Drawer rail decomposition completed schematic diagram



Step 6



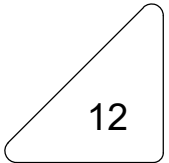
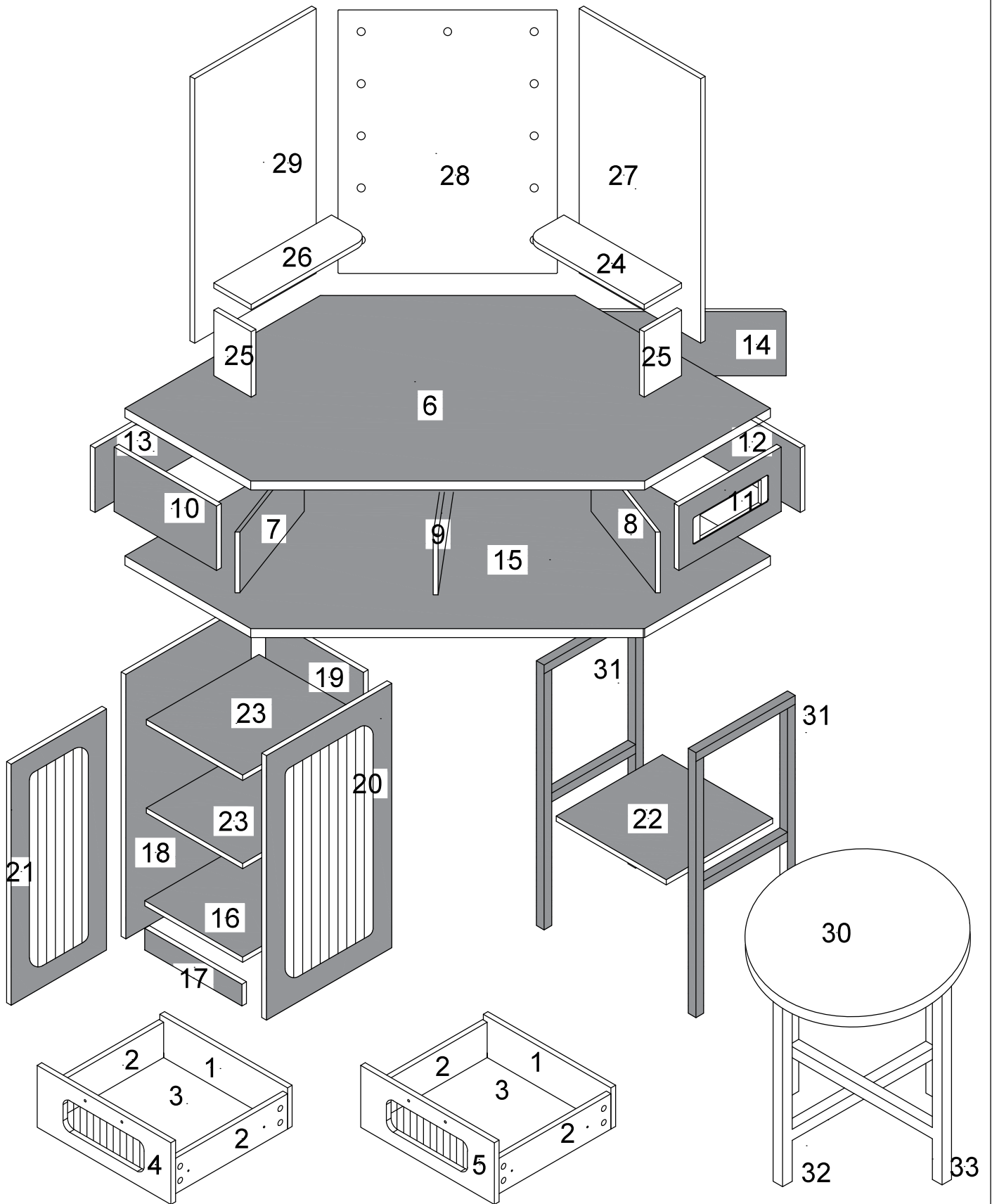
Step 7



Repeat the above steps

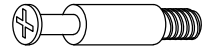
The installation method of the other drawer is the same

Product structure decomposition

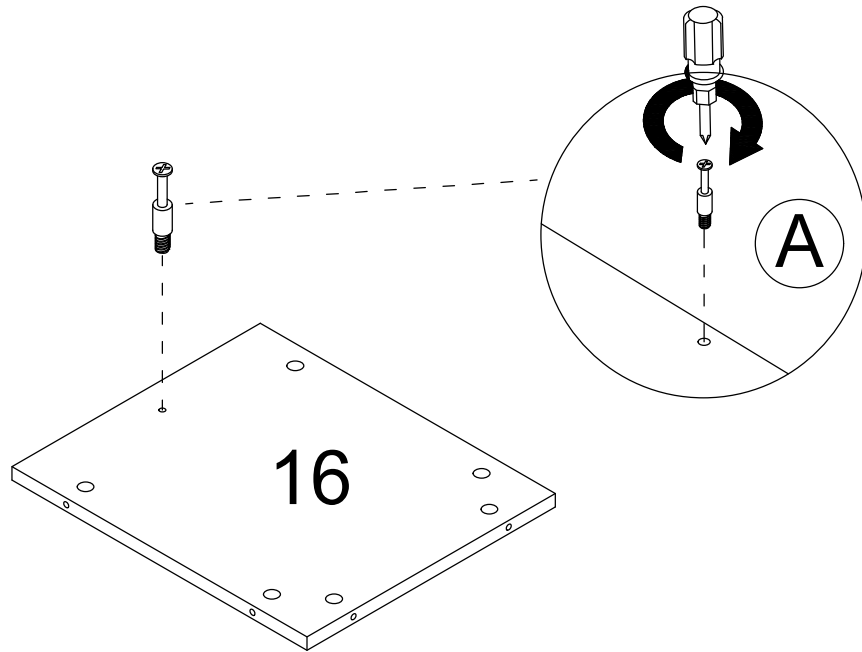


Step 8

A

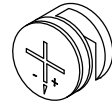


x 1

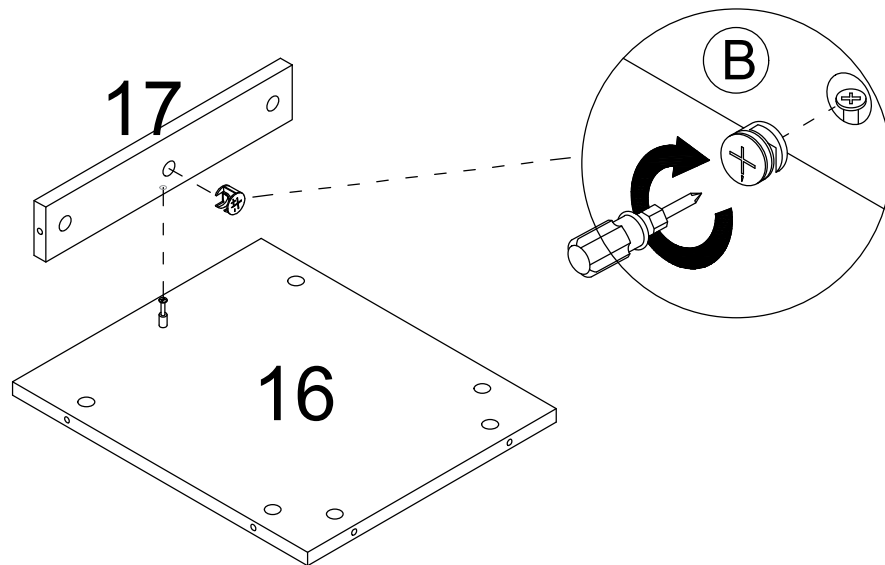


Step 9

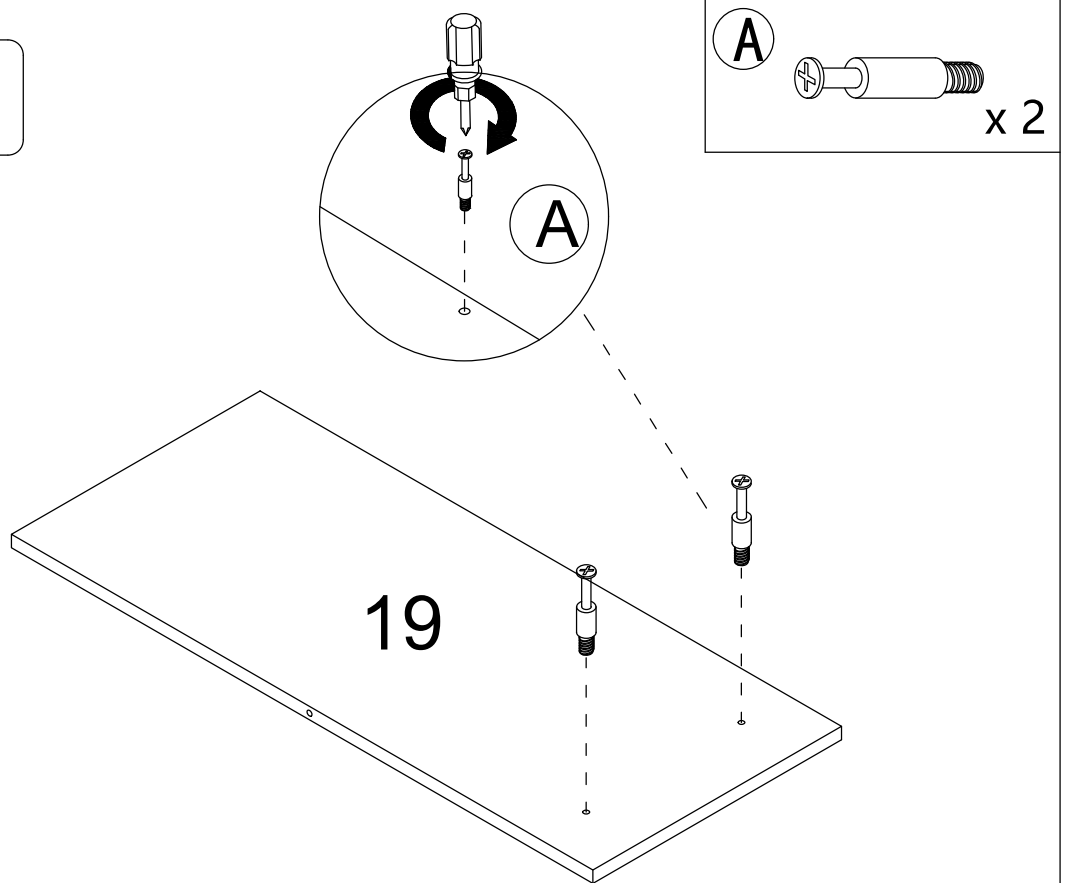
B



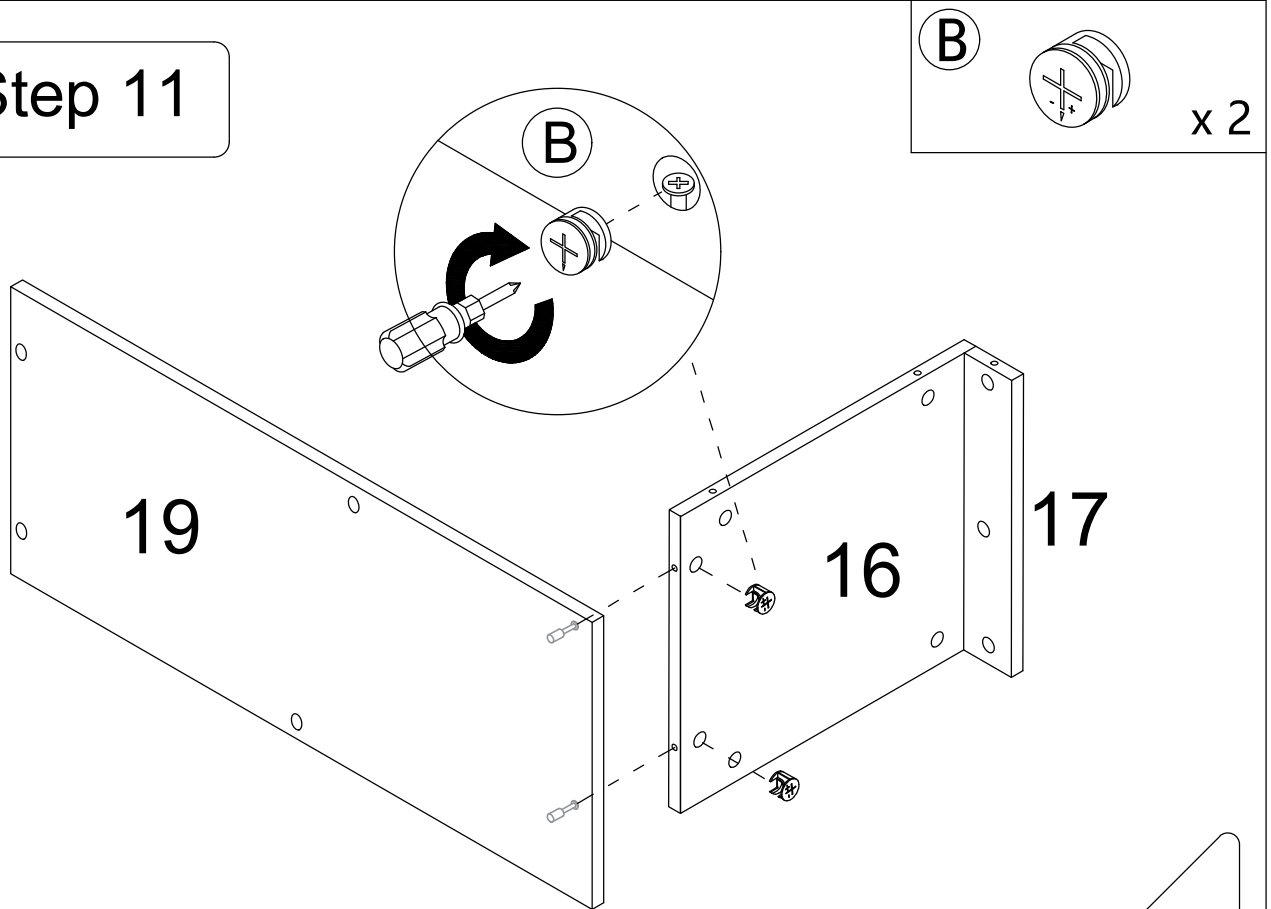
x 1



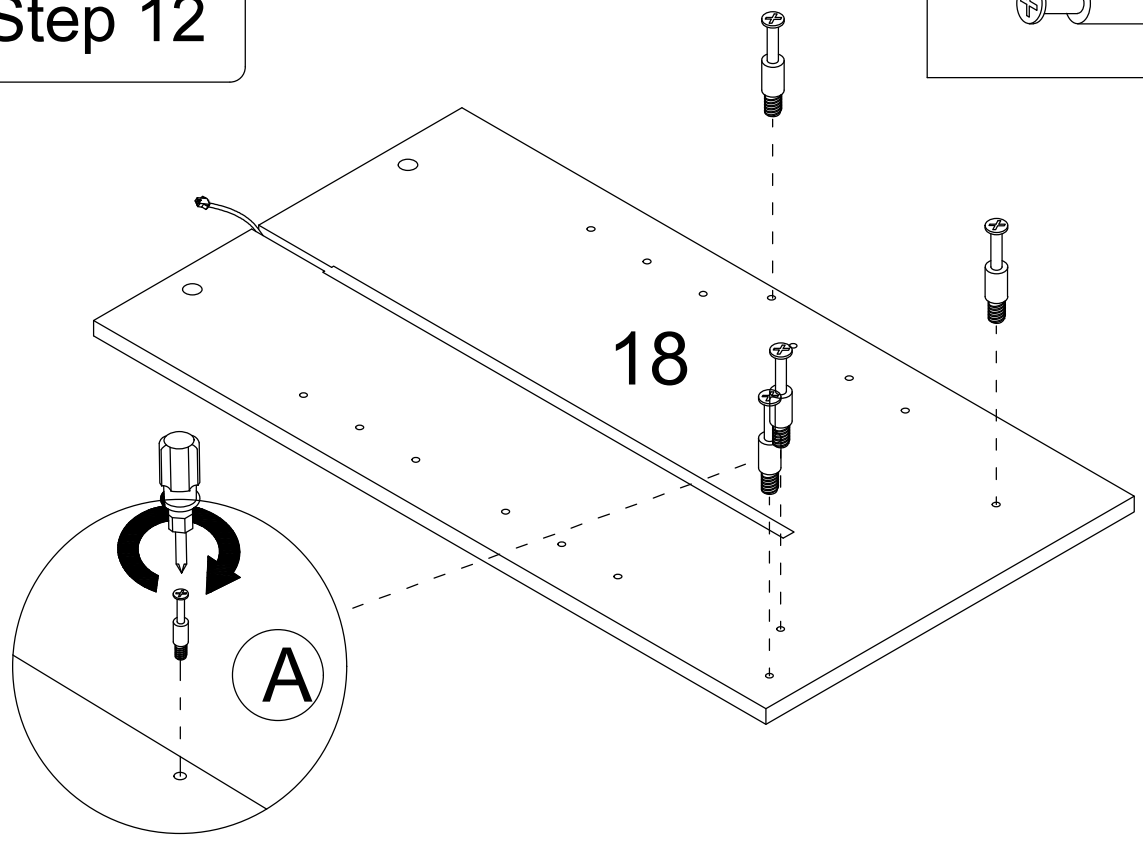
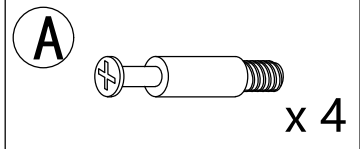
Step 10



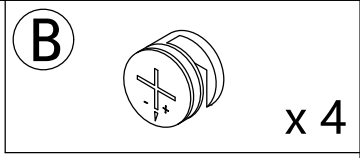
Step 11



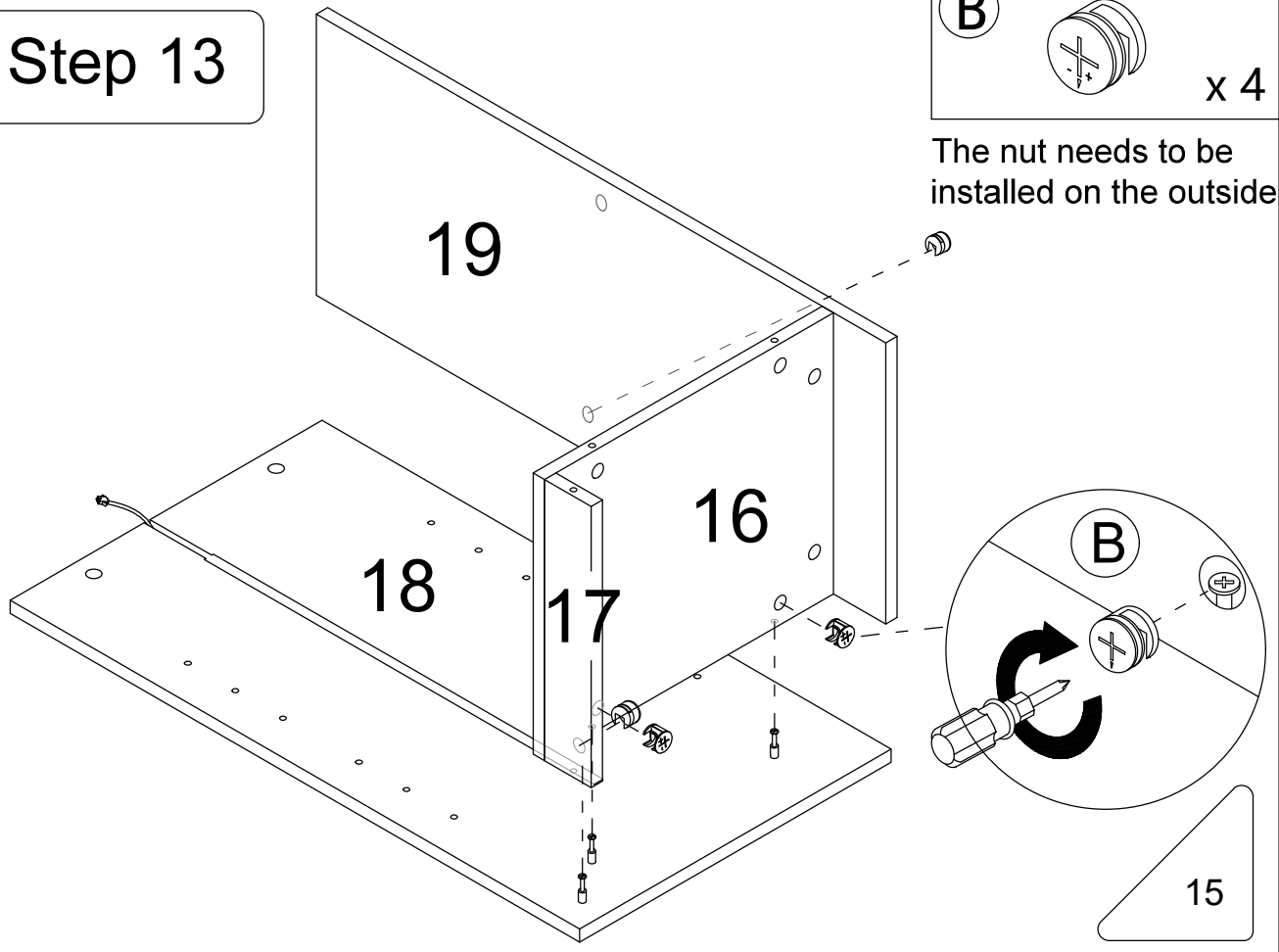
Step 12



Step 13

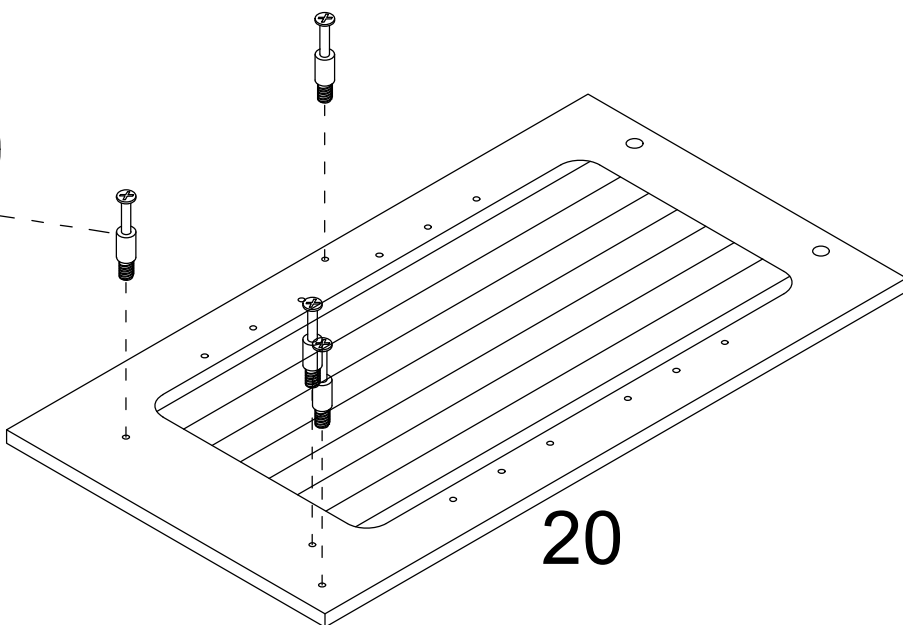
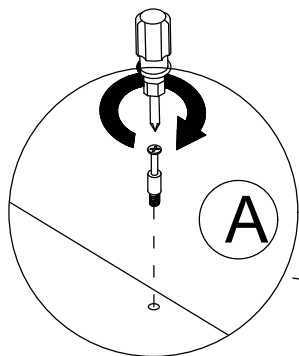
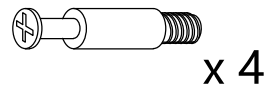


The nut needs to be installed on the outside



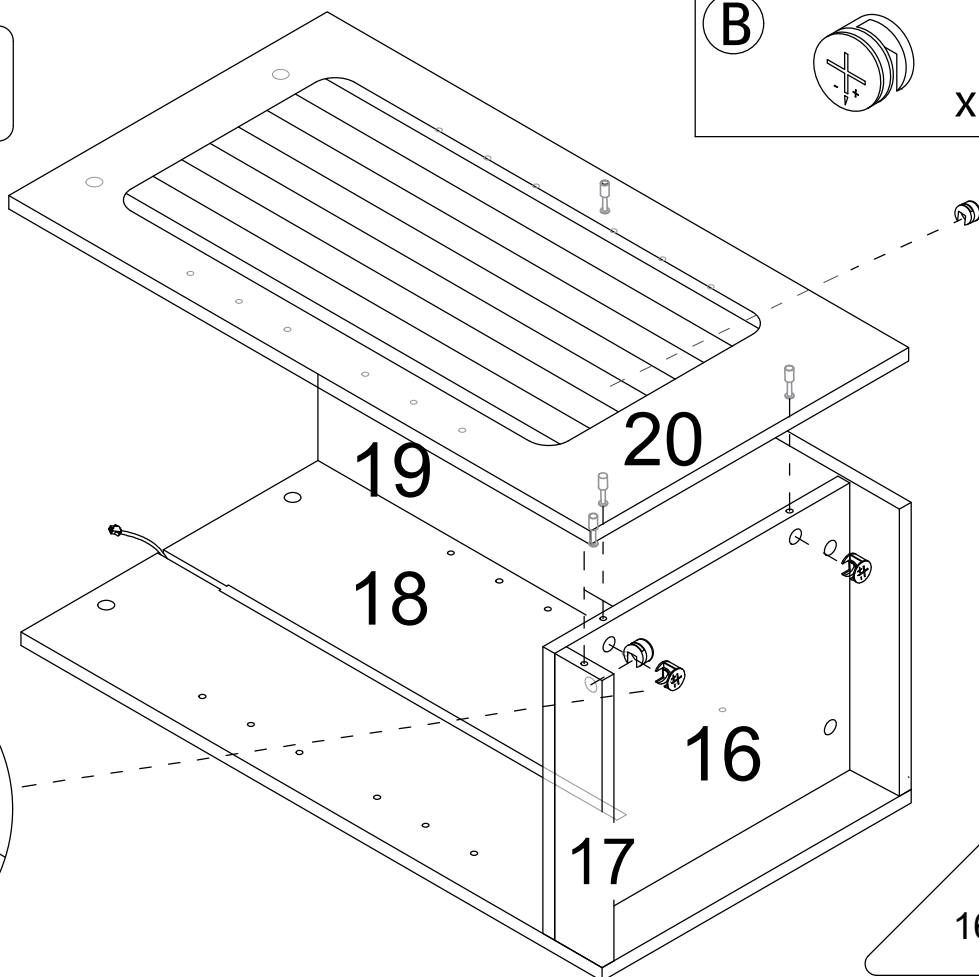
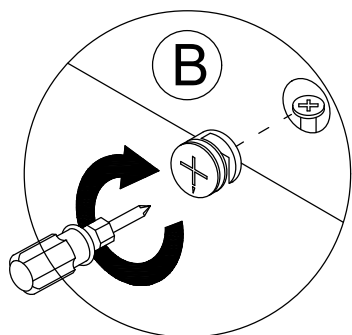
Step 14

A



Step 15

B

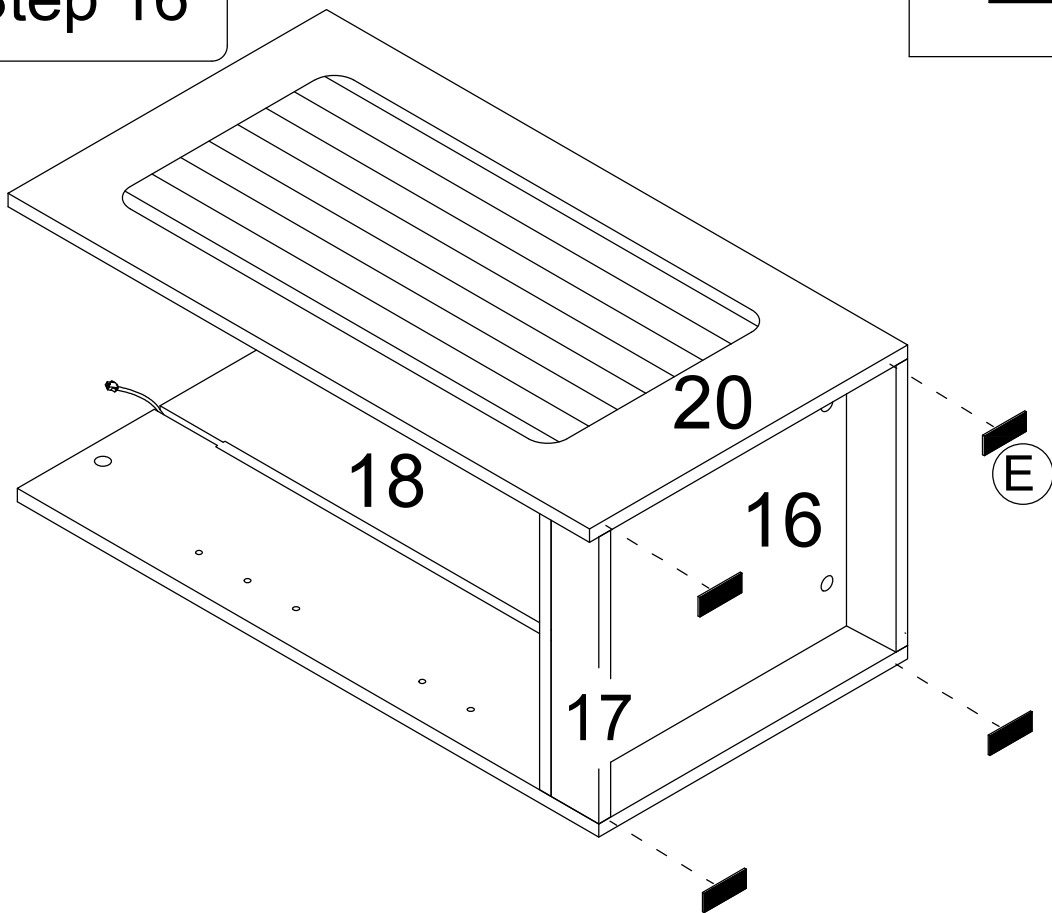


Step 16

(E)

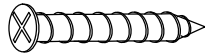


x 4



Step 17

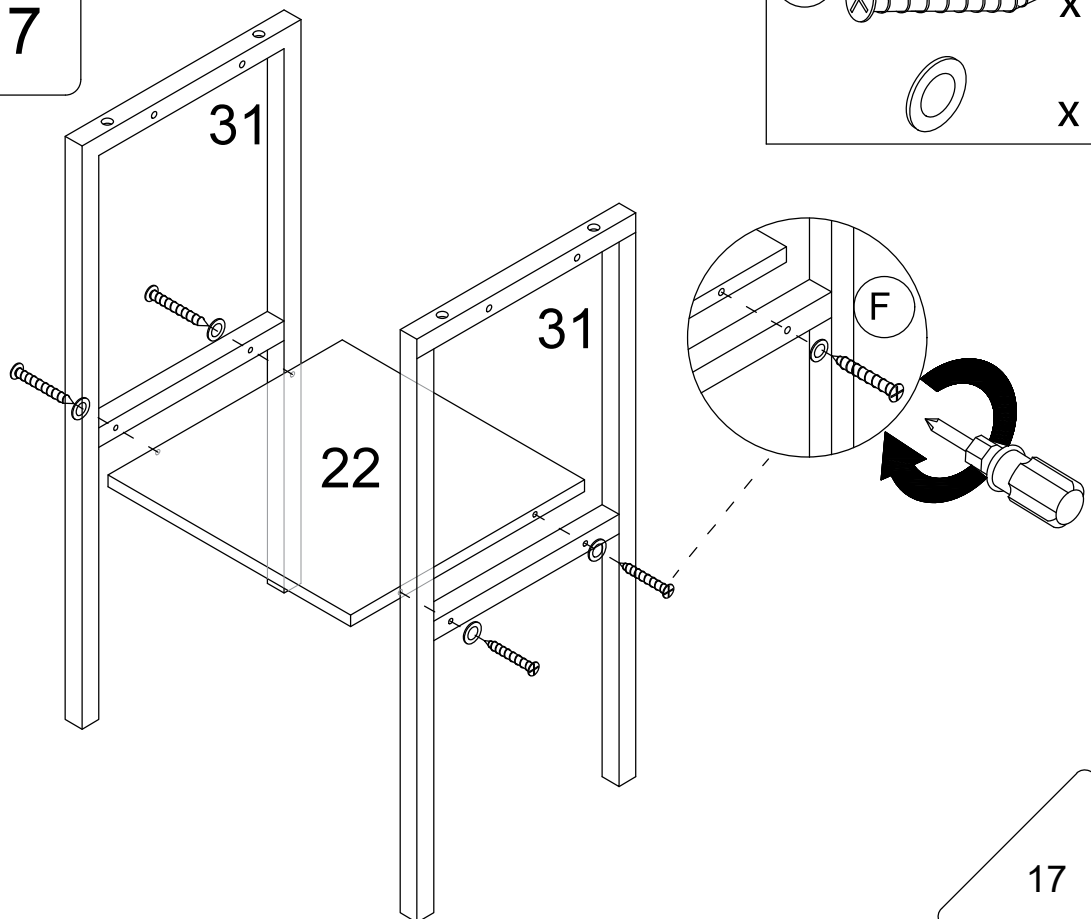
(F)



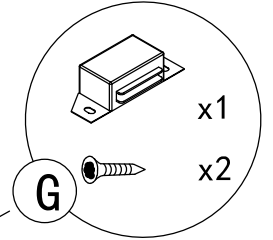
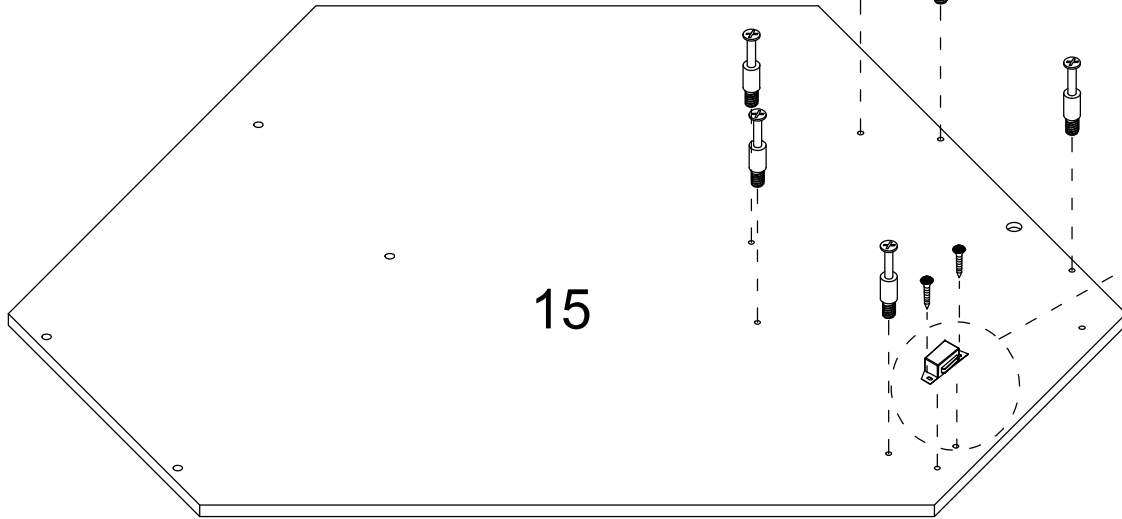
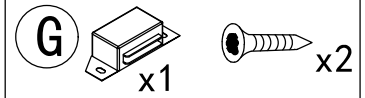
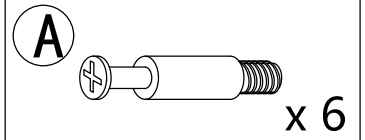
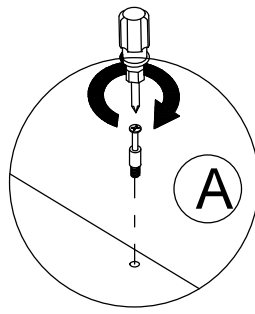
x 4



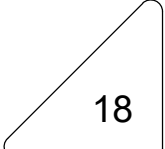
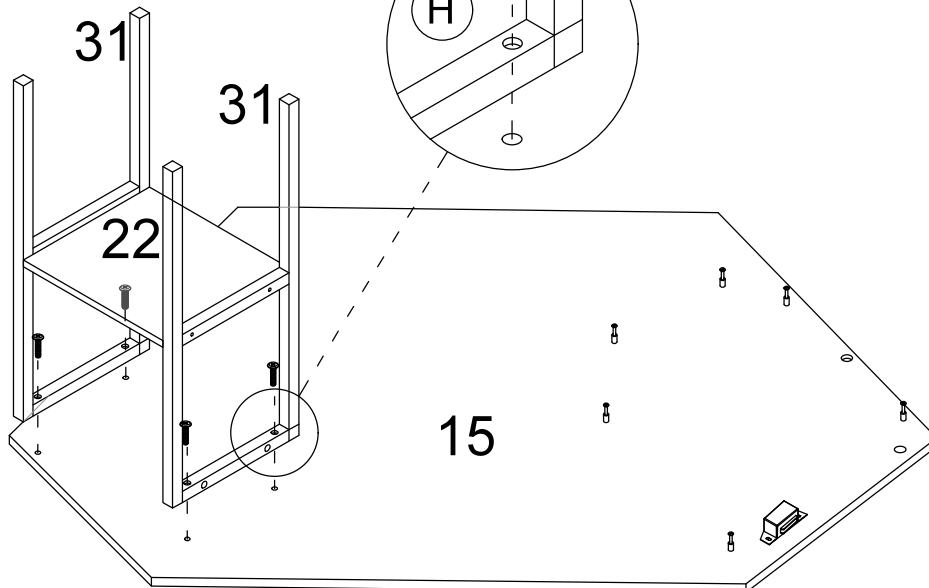
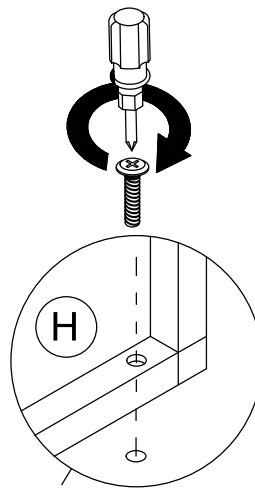
x 4



Step 18



Step 19

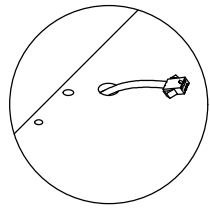


Step 20

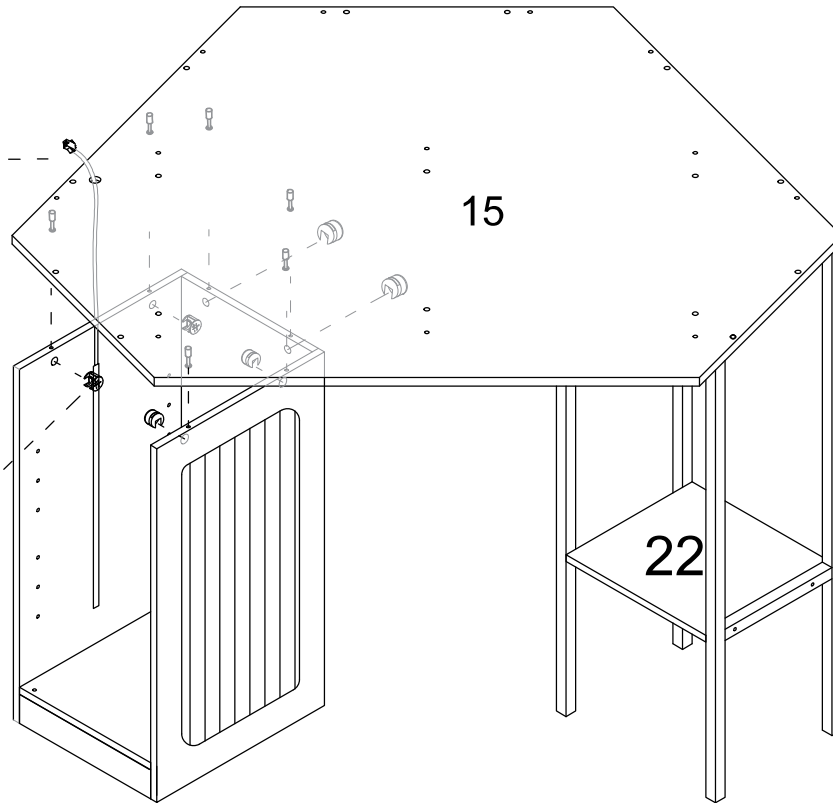
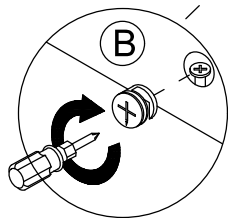
B



x 6



Thread the terminal wire through the hole



Step 21

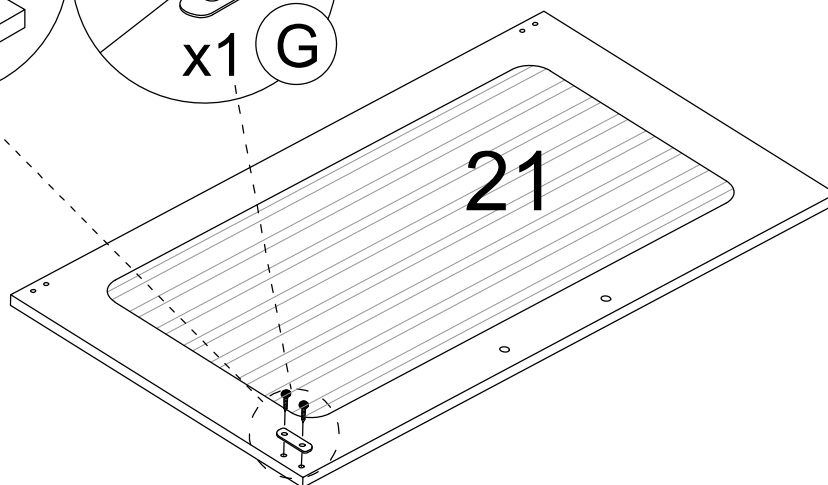
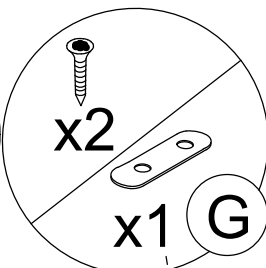
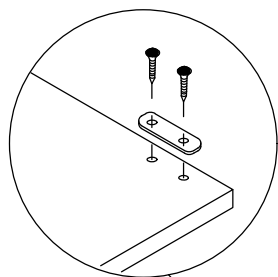
G




x1

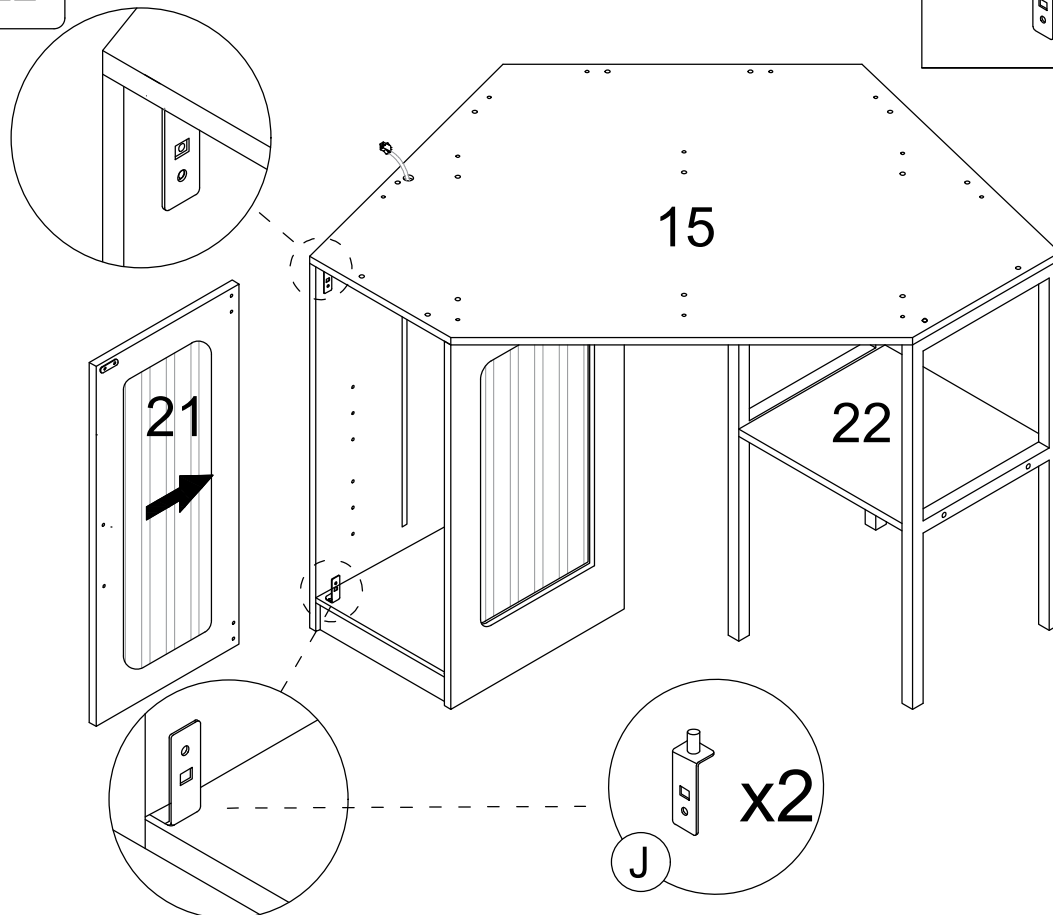


x2



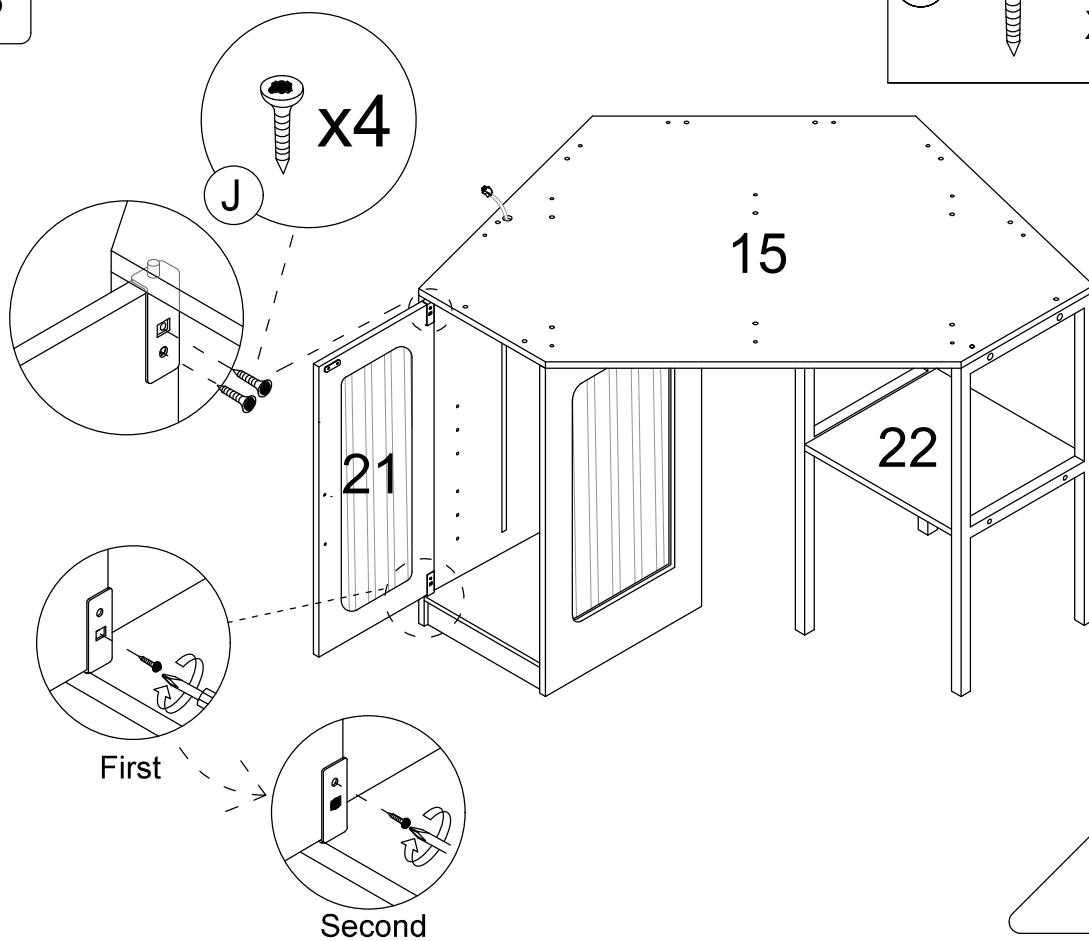
Step 22

J  x2



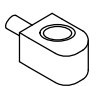


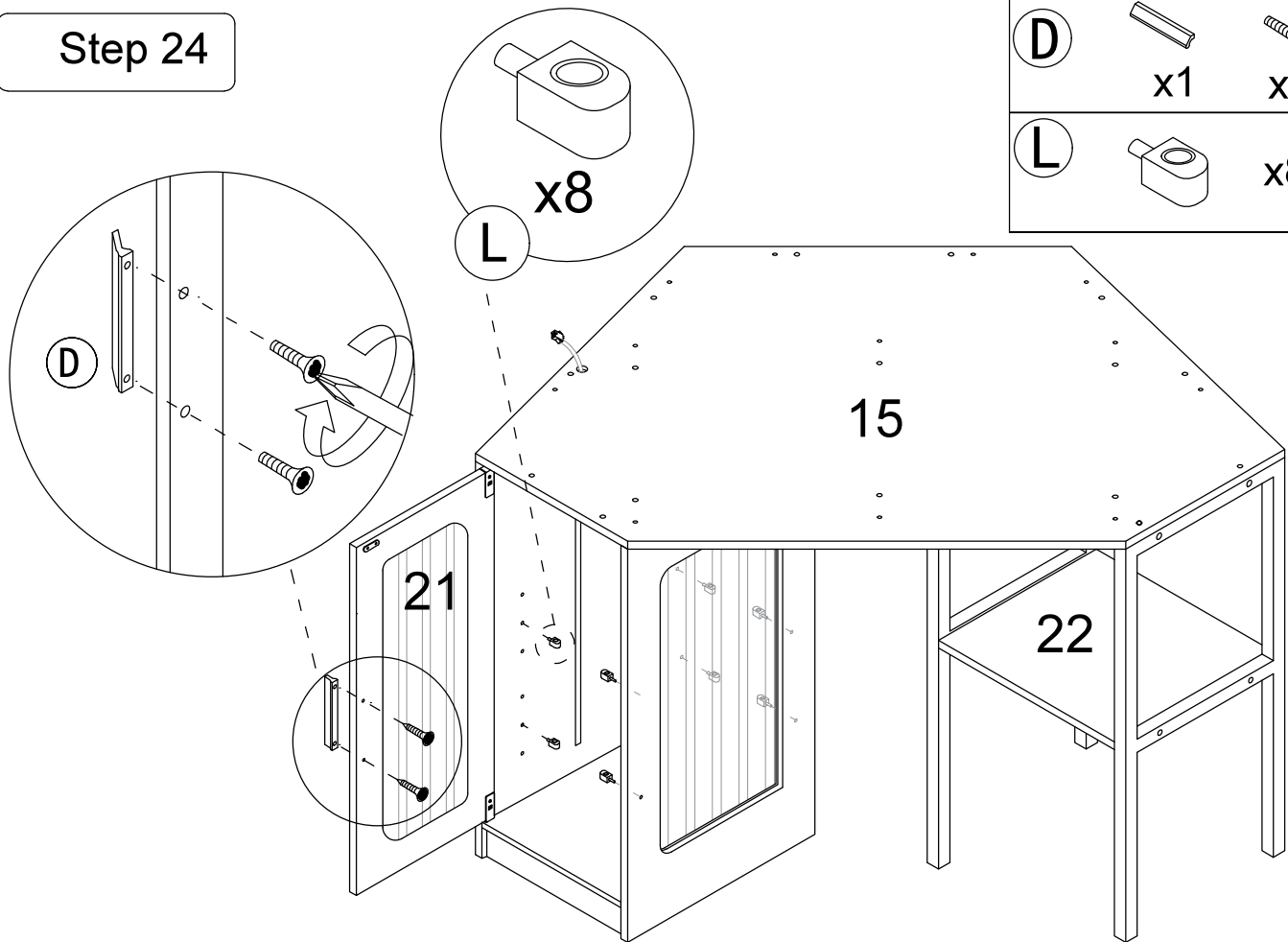
Step 23

J  x4

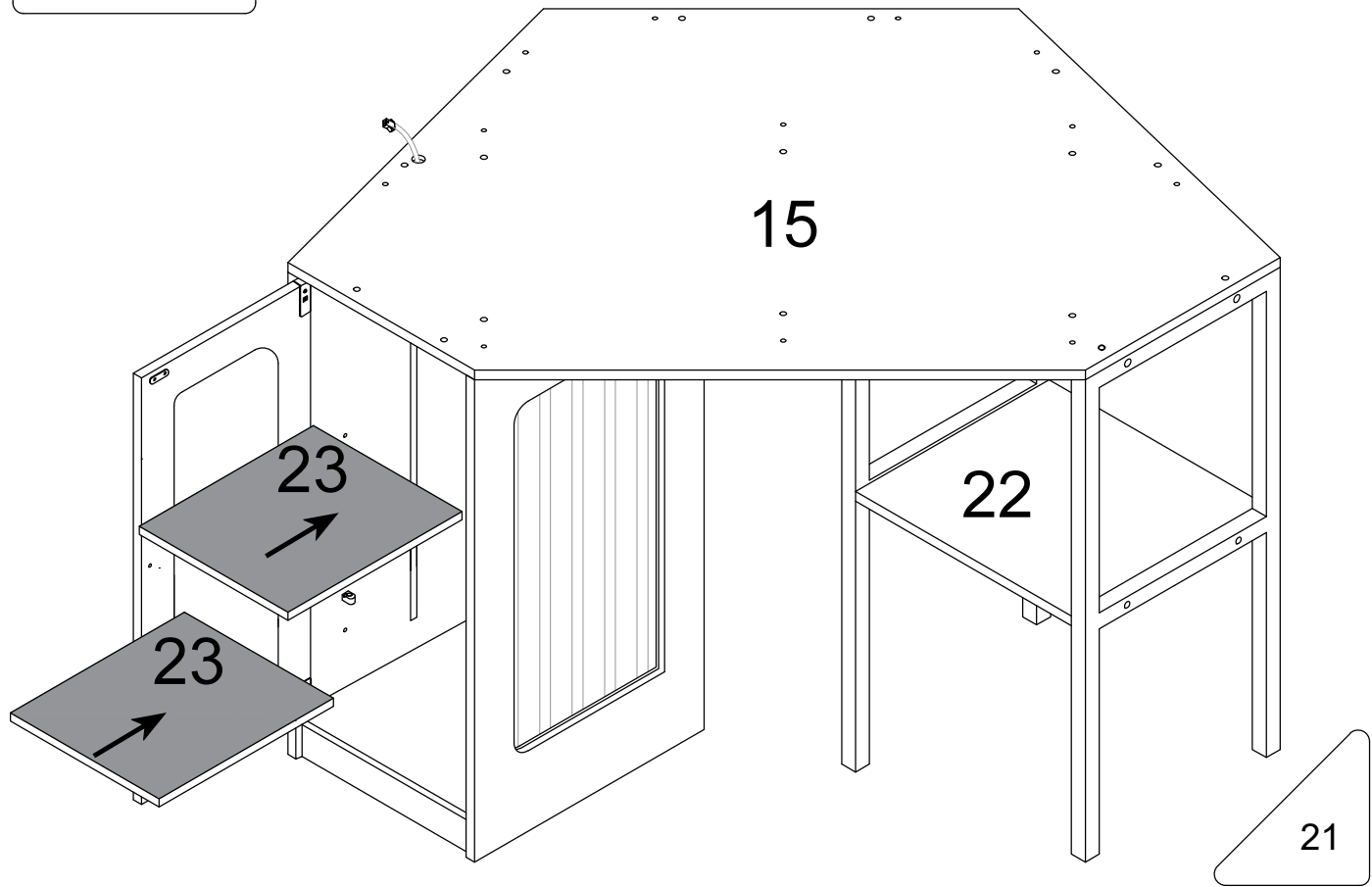


Step 24

D		x1		x2
L		x8		



Step 25

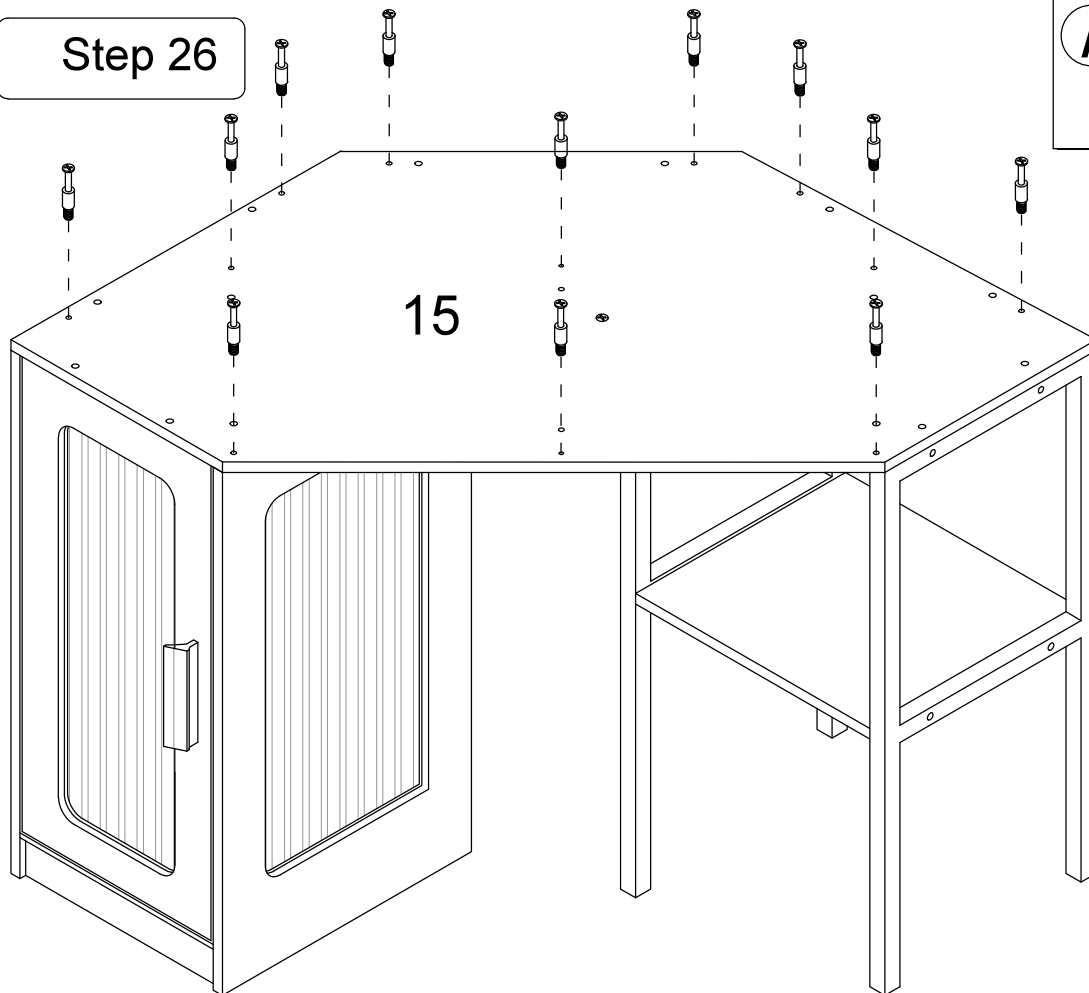


Step 26

A

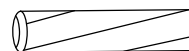


x 12

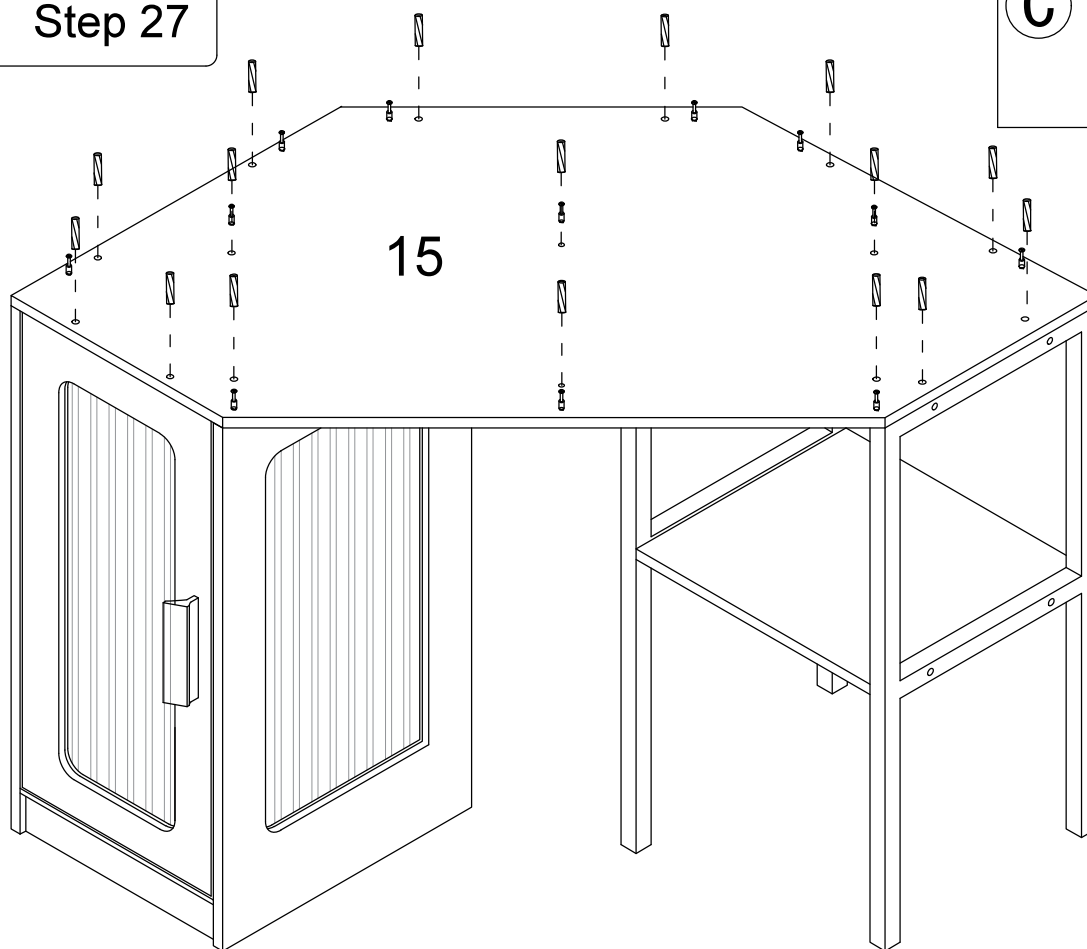


Step 27

C

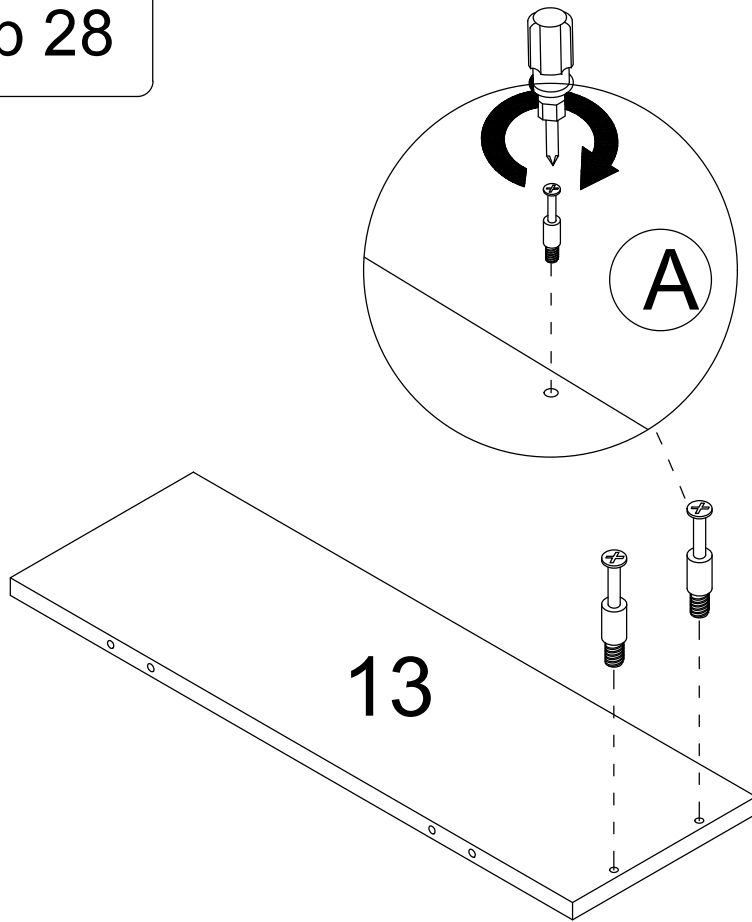
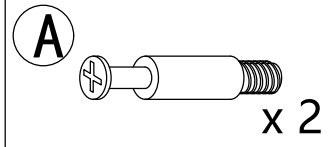


x 16

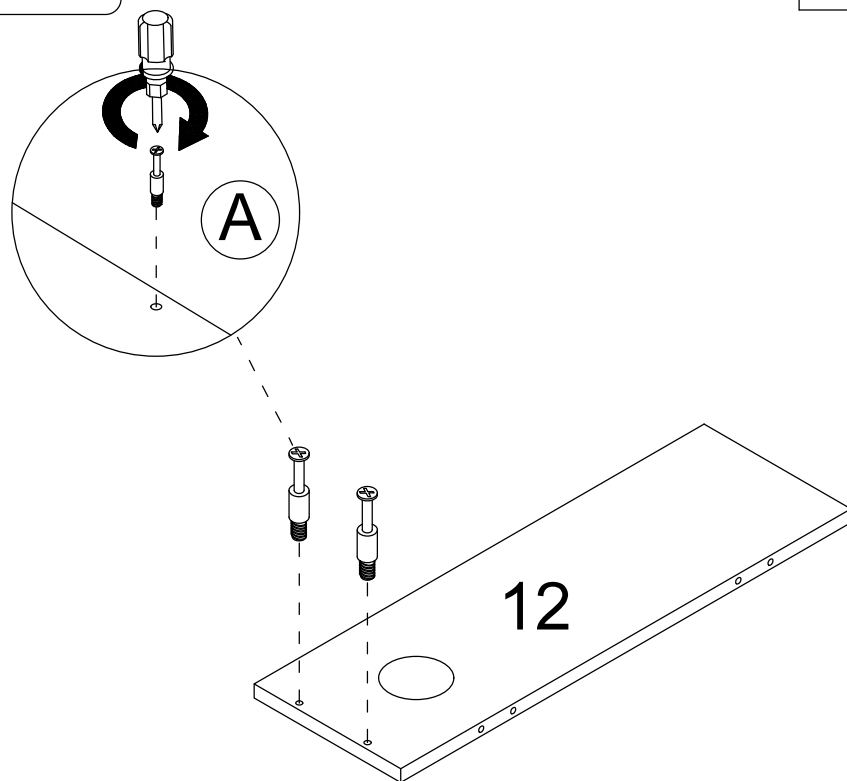
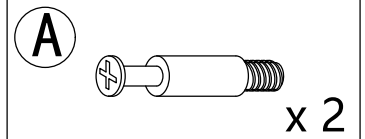


22

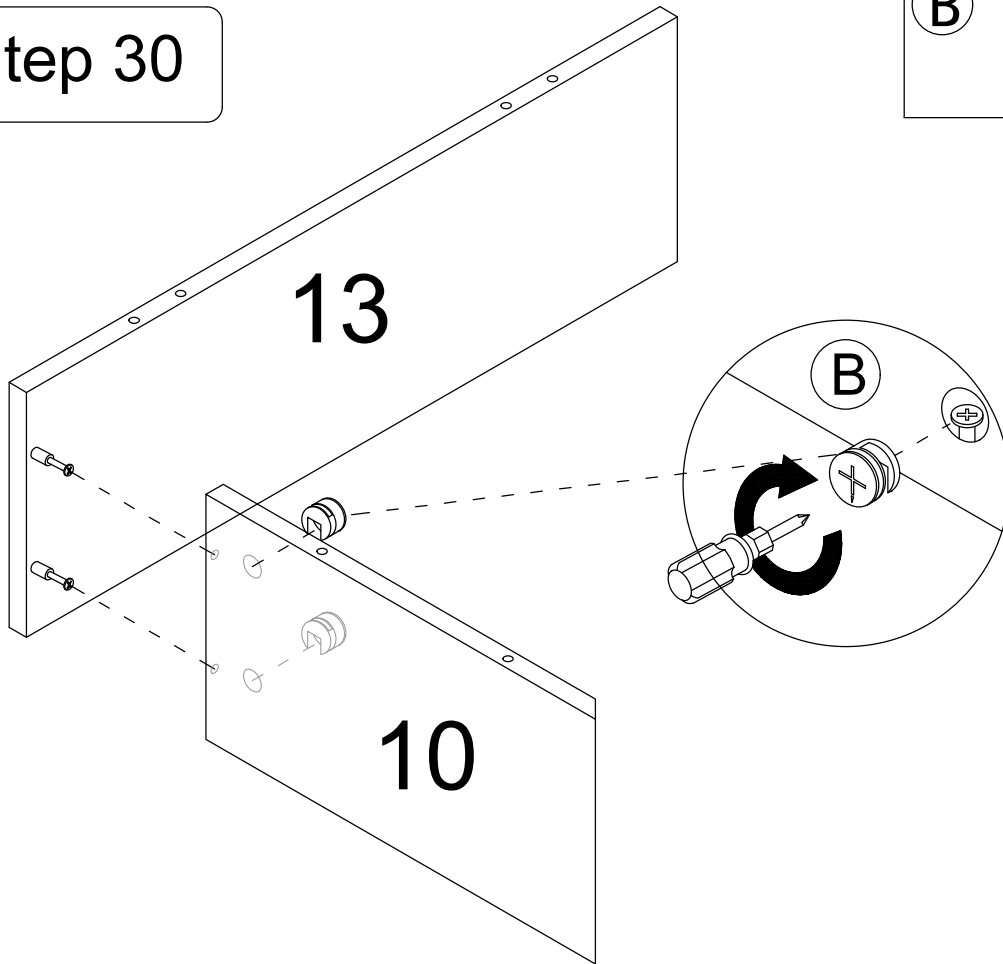
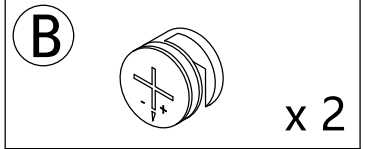
Step 28



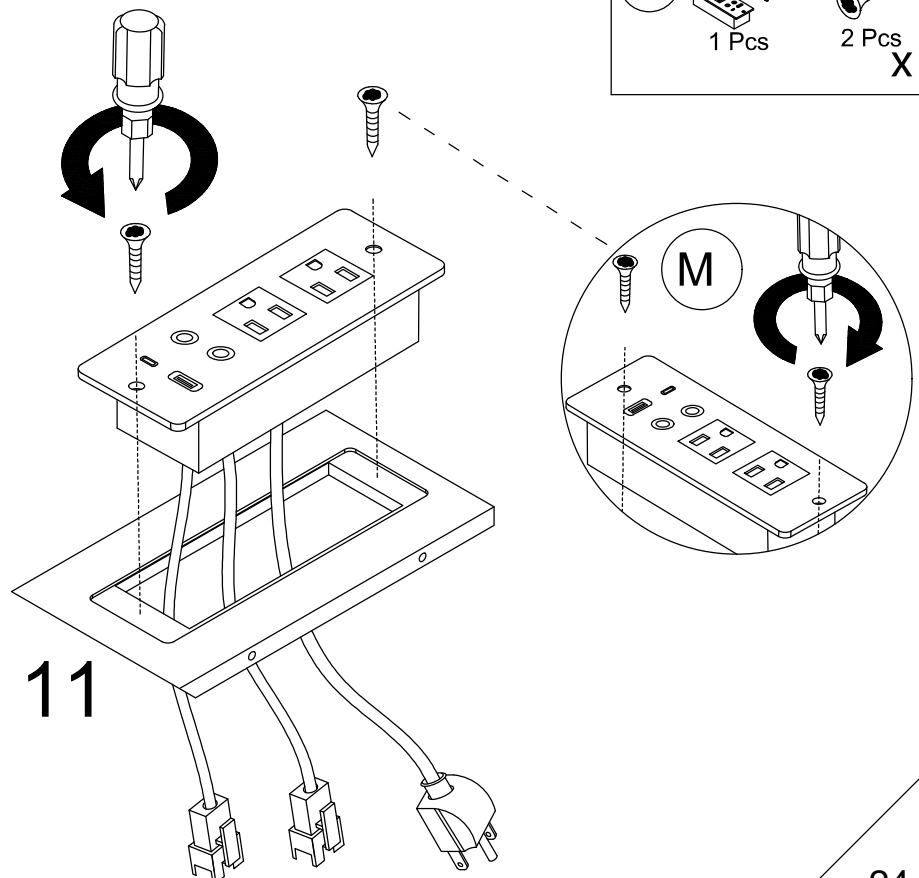
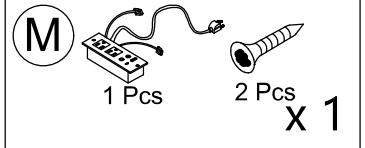
Step 29



Step 30

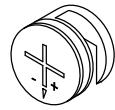


Step 31

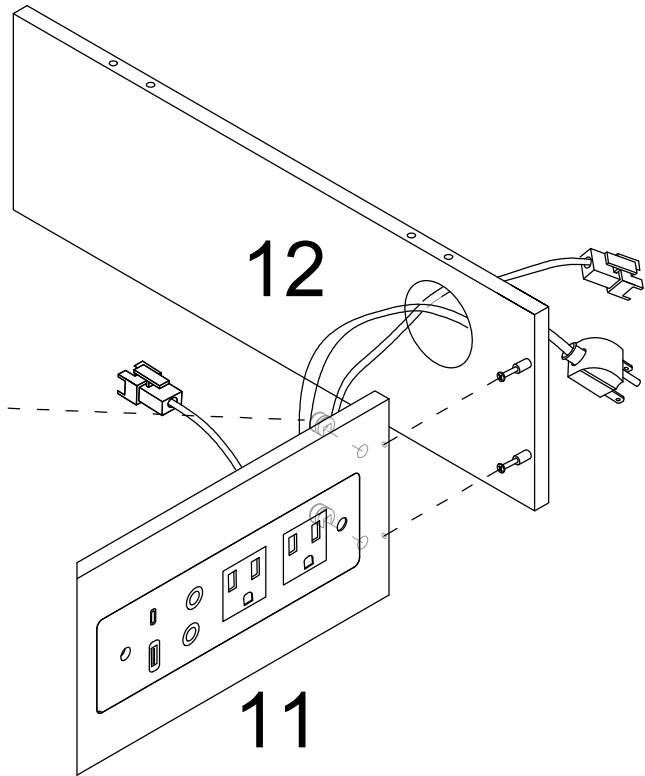
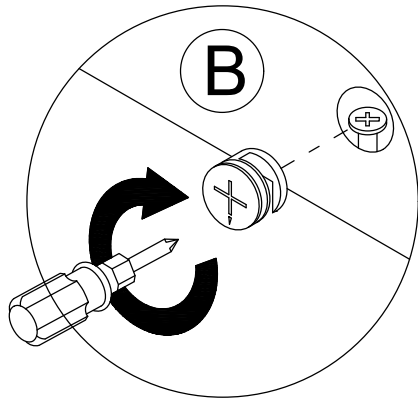


Step 32

B



x 2

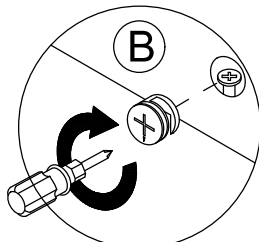


Step 33

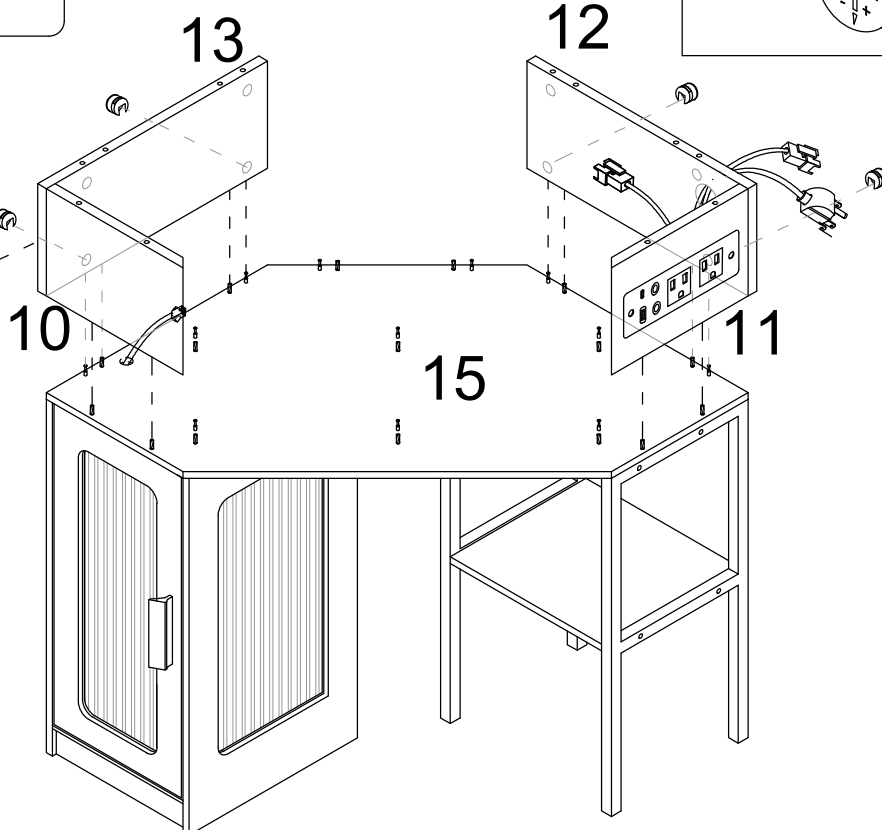
B



x 4

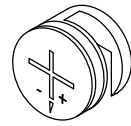


The nut needs to be installed on the outside

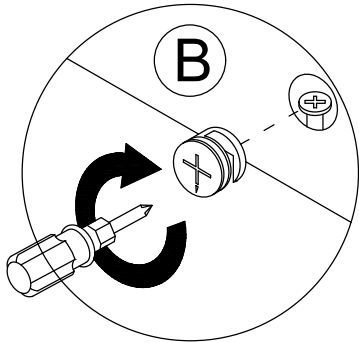


Step 34

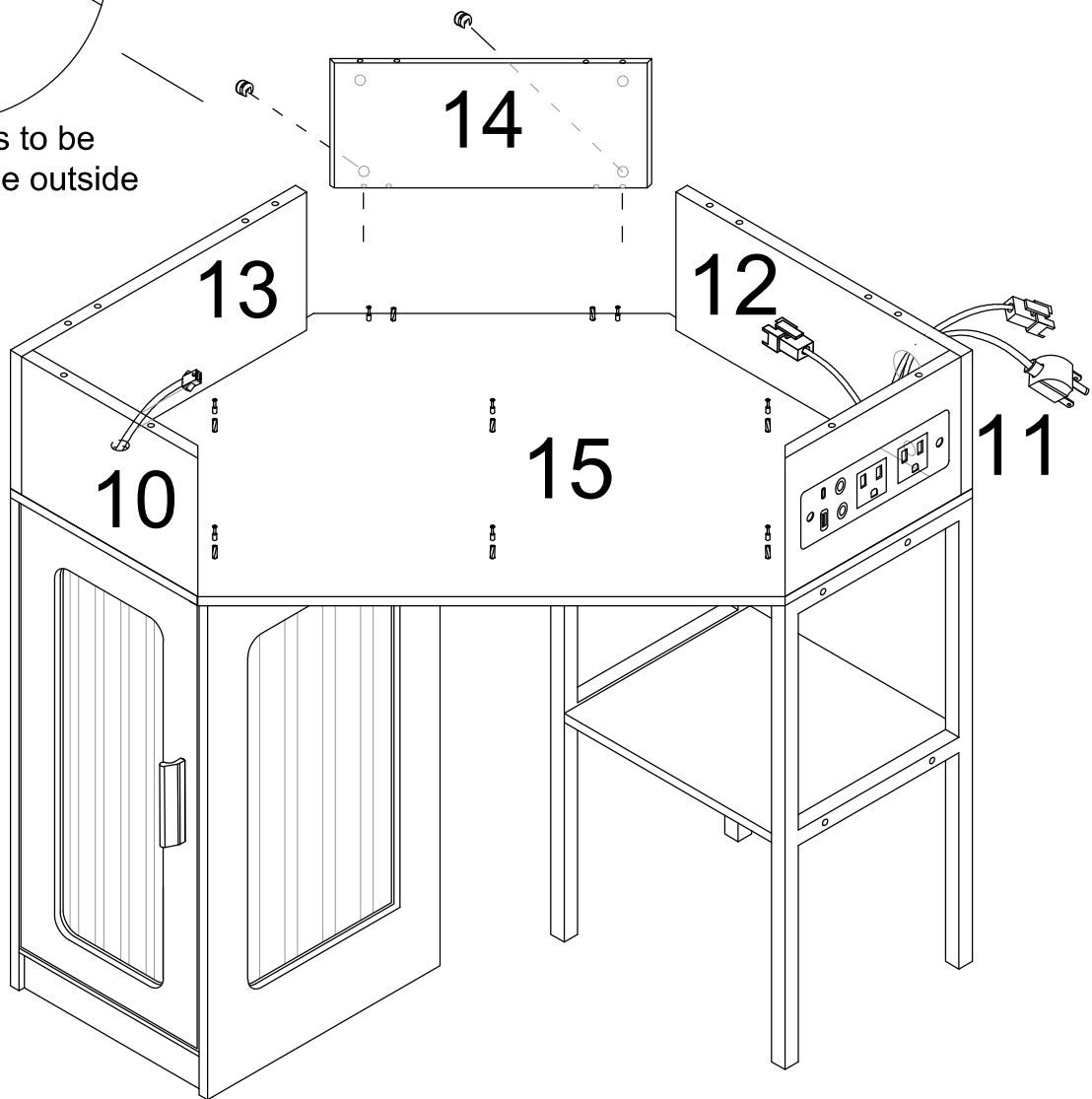
B



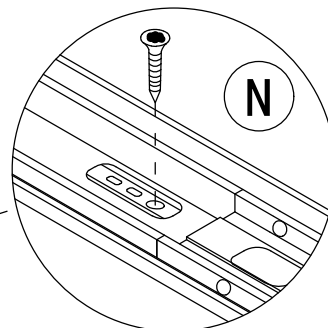
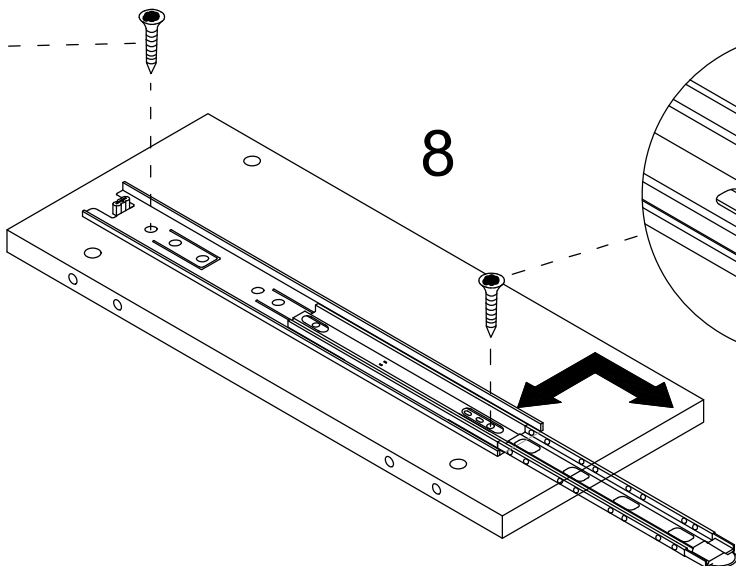
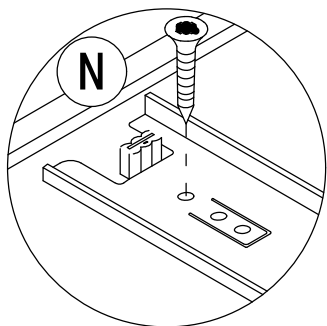
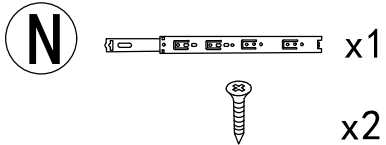
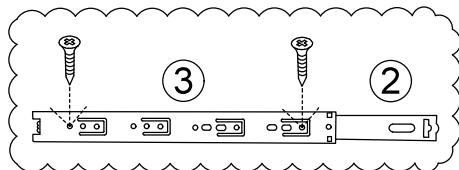
x 2



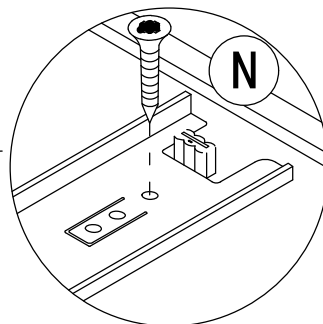
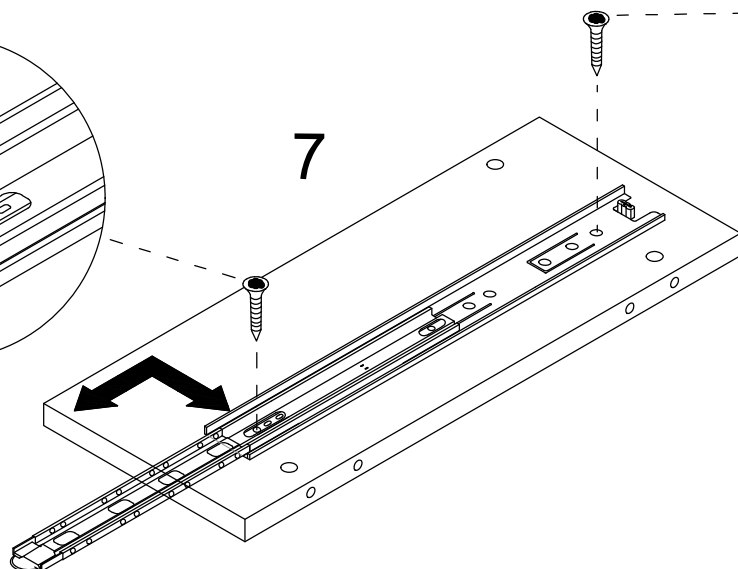
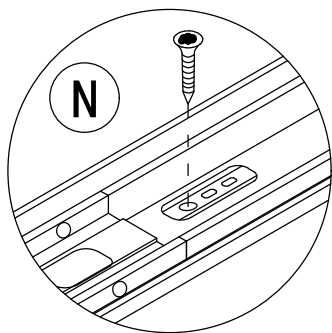
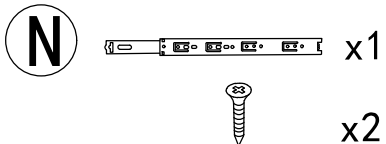
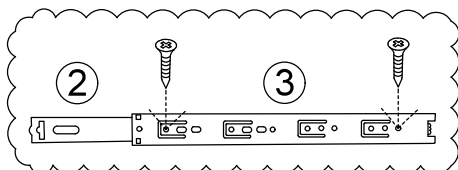
The nut needs to be installed on the outside



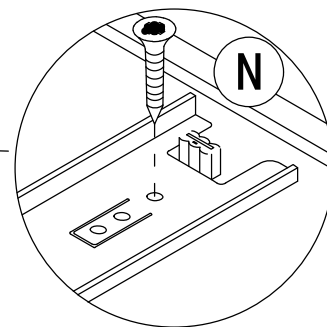
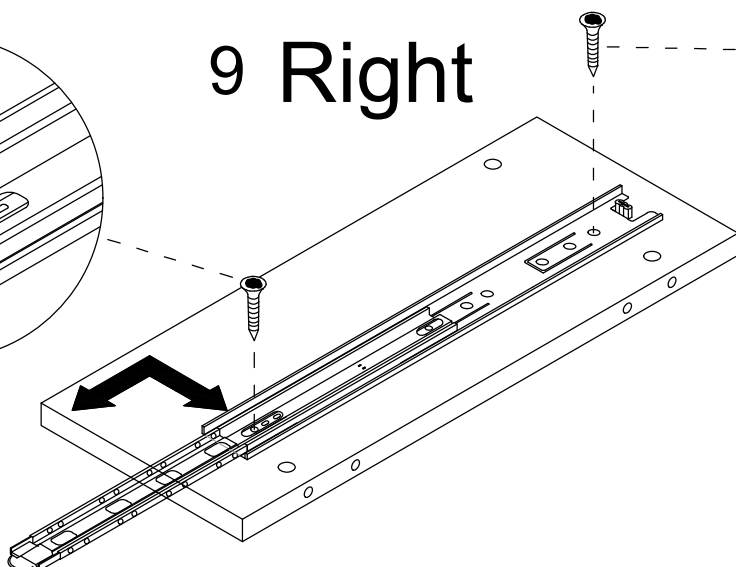
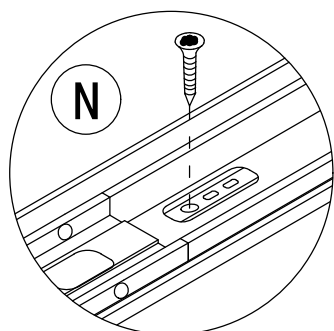
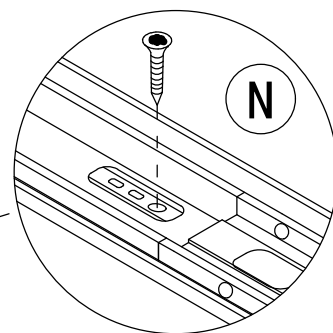
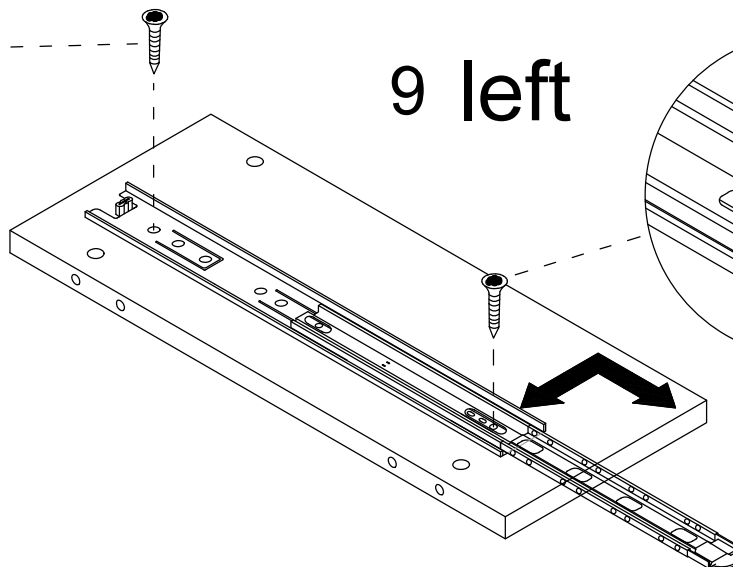
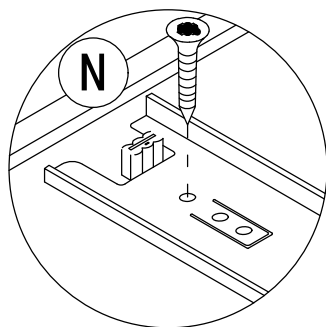
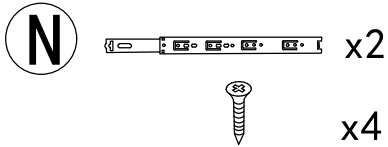
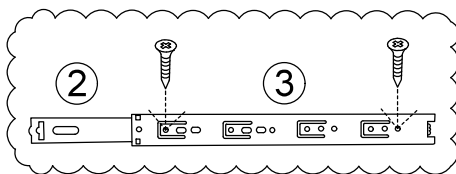
Step 35



Step 36



Step 37

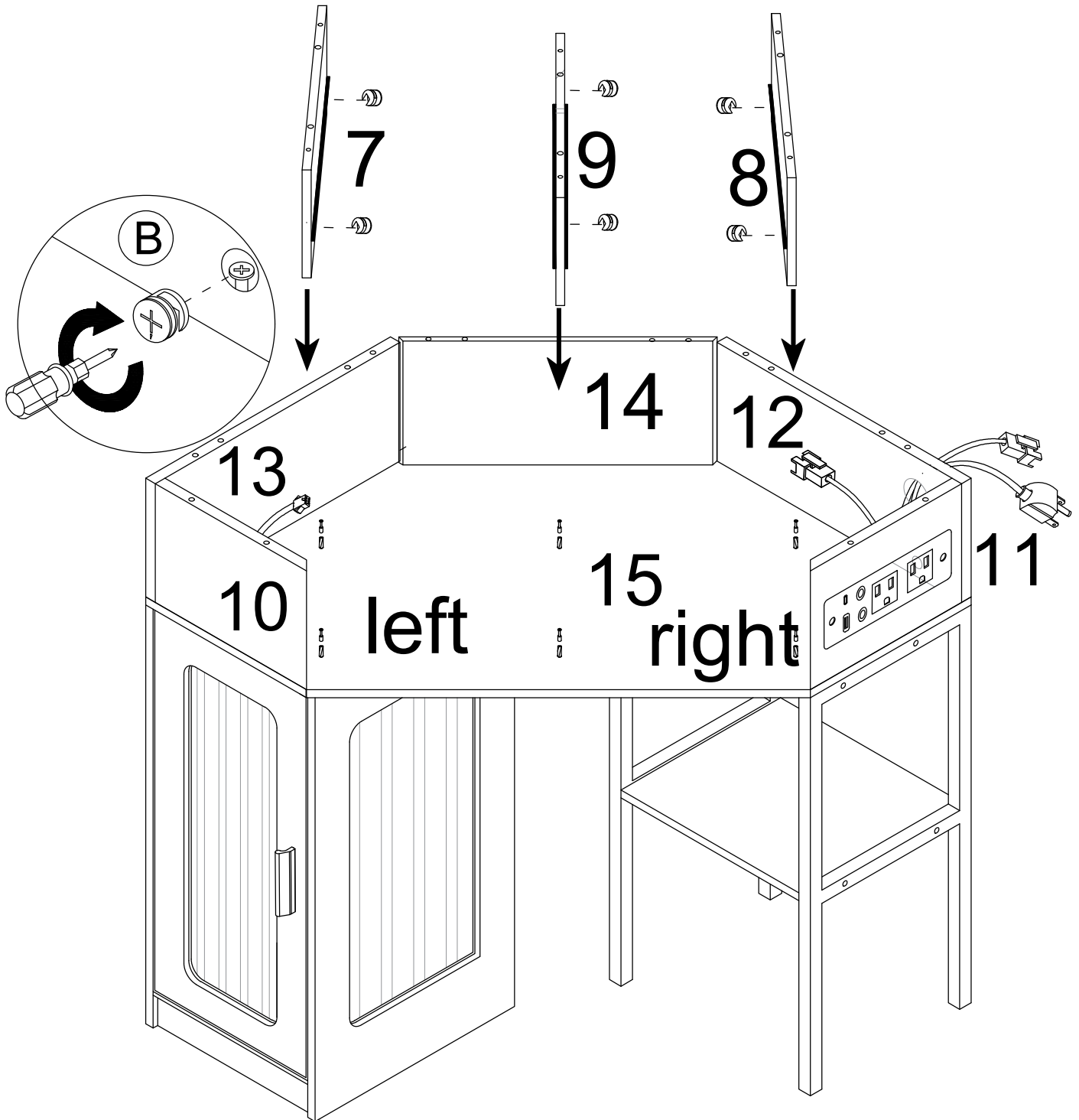


Step 38

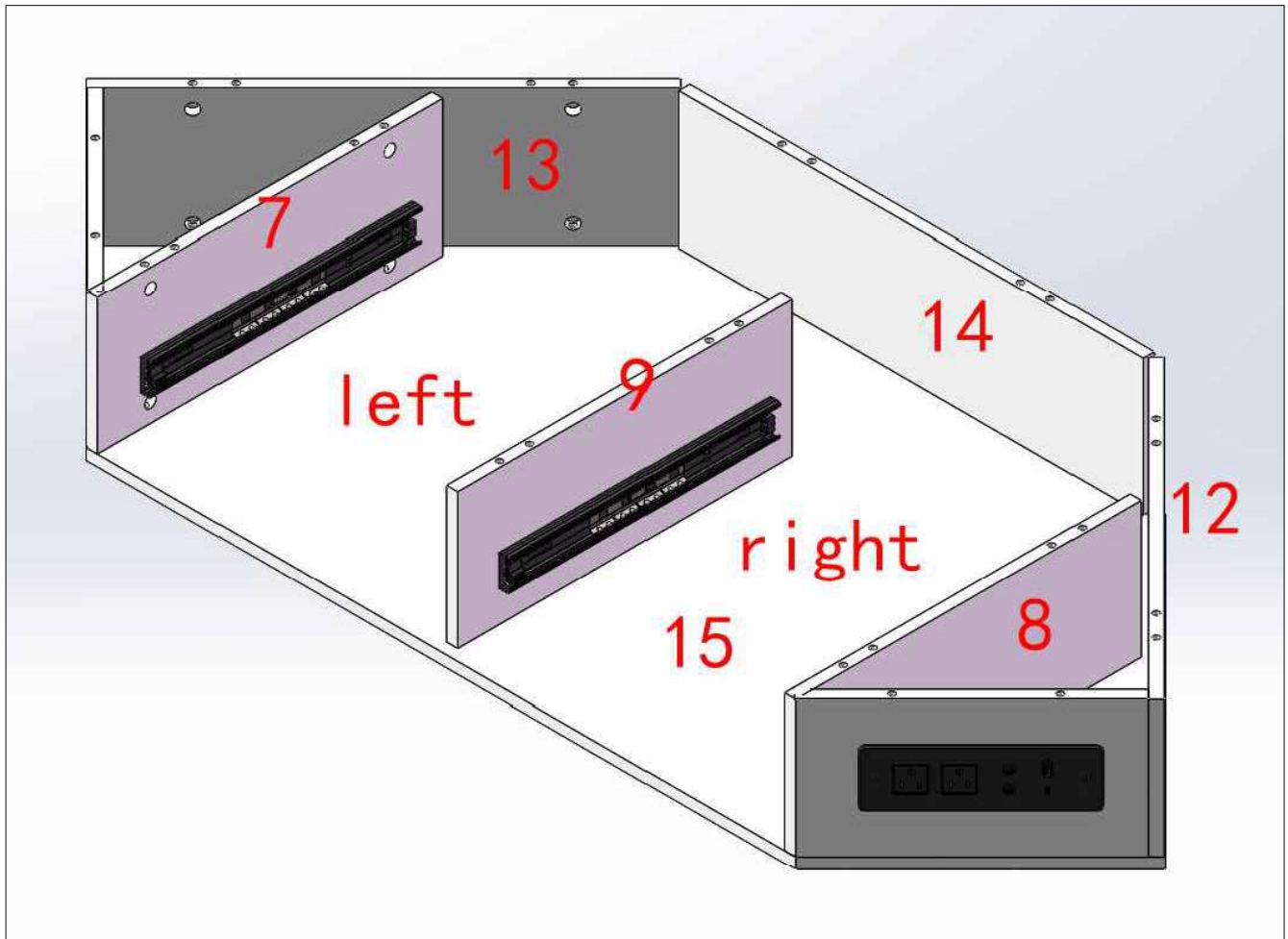
B



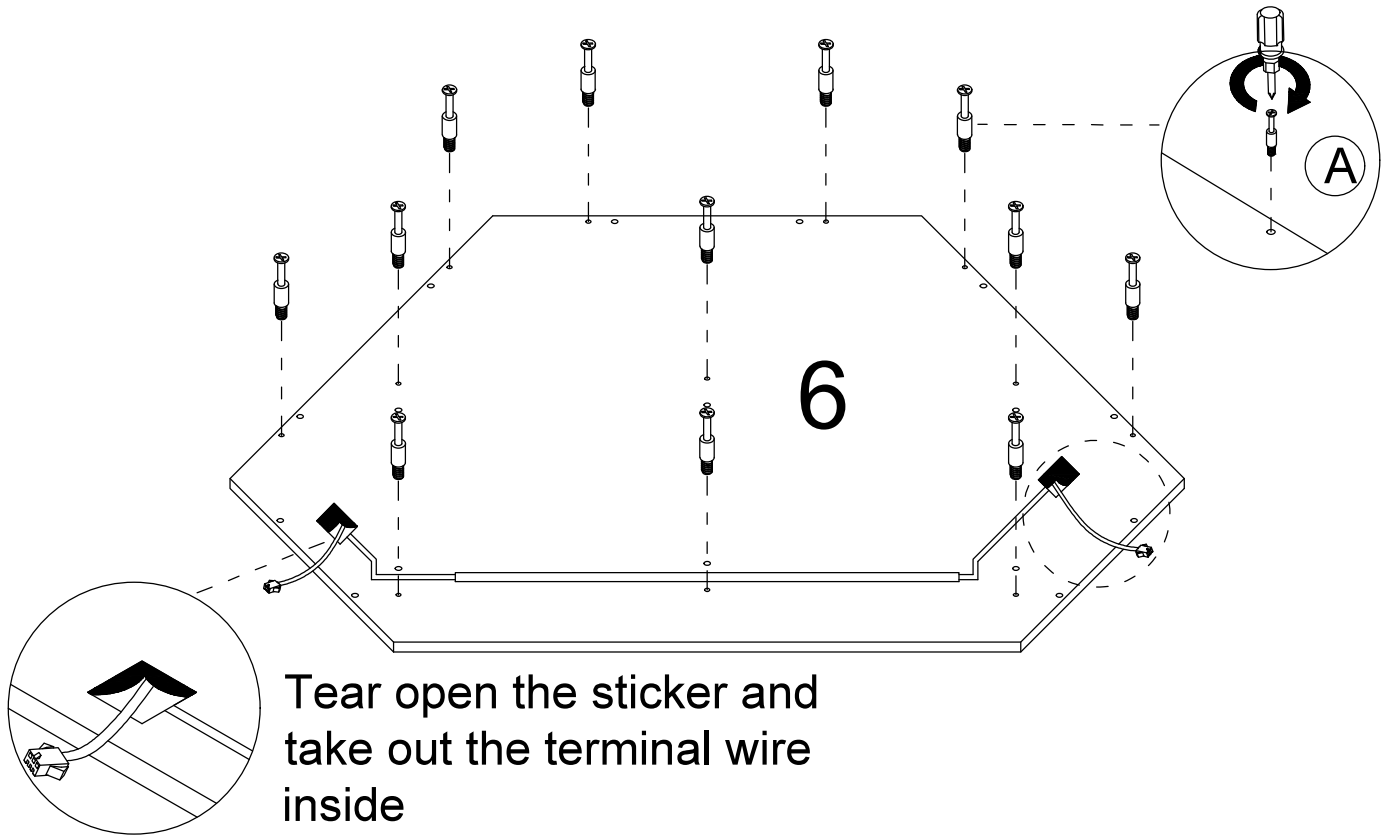
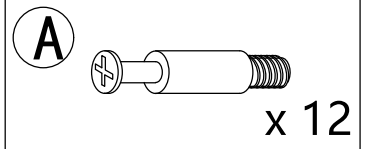
x 6



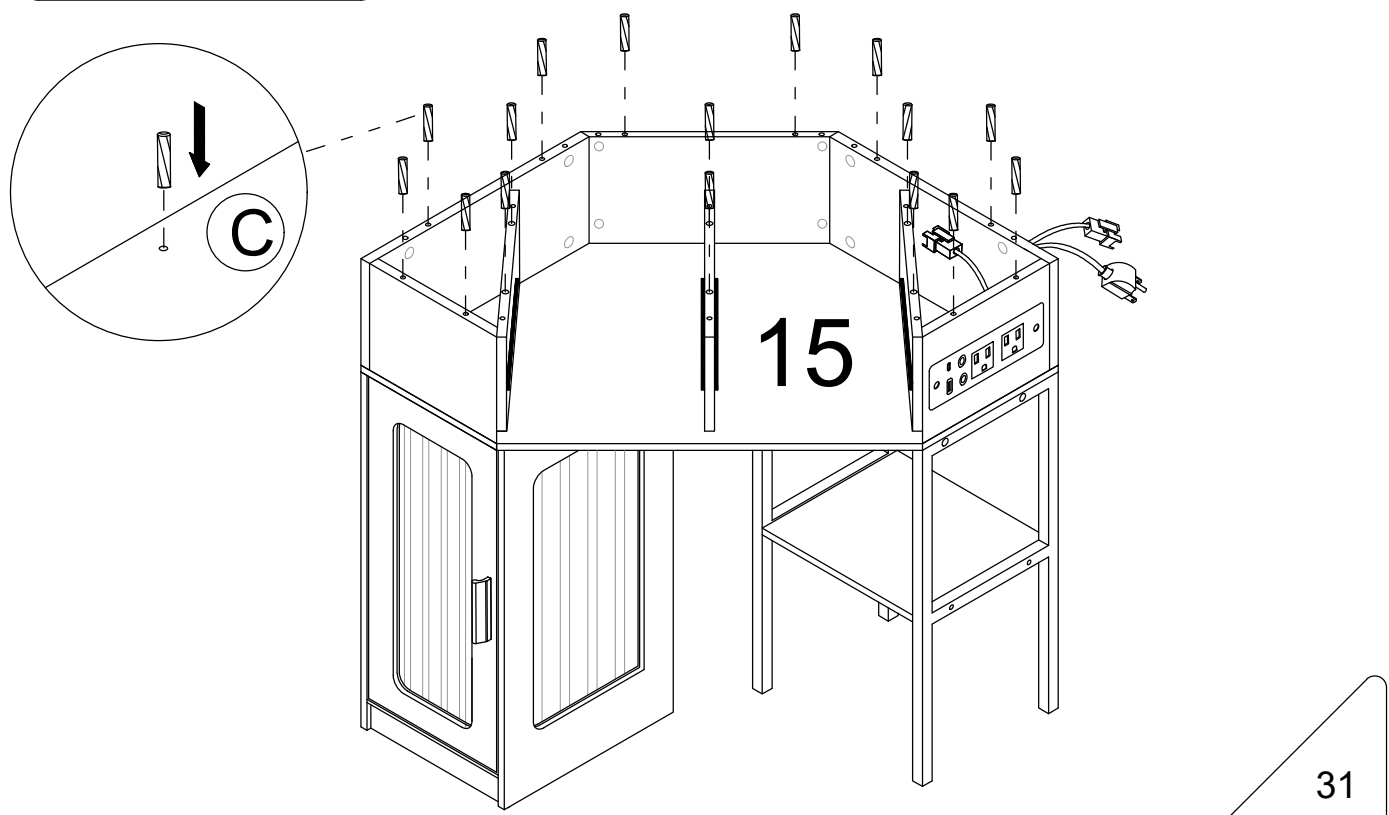
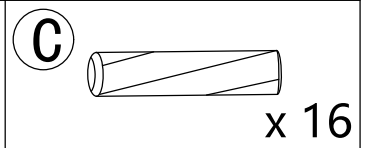
This is a picture of the completed installation



Step 39

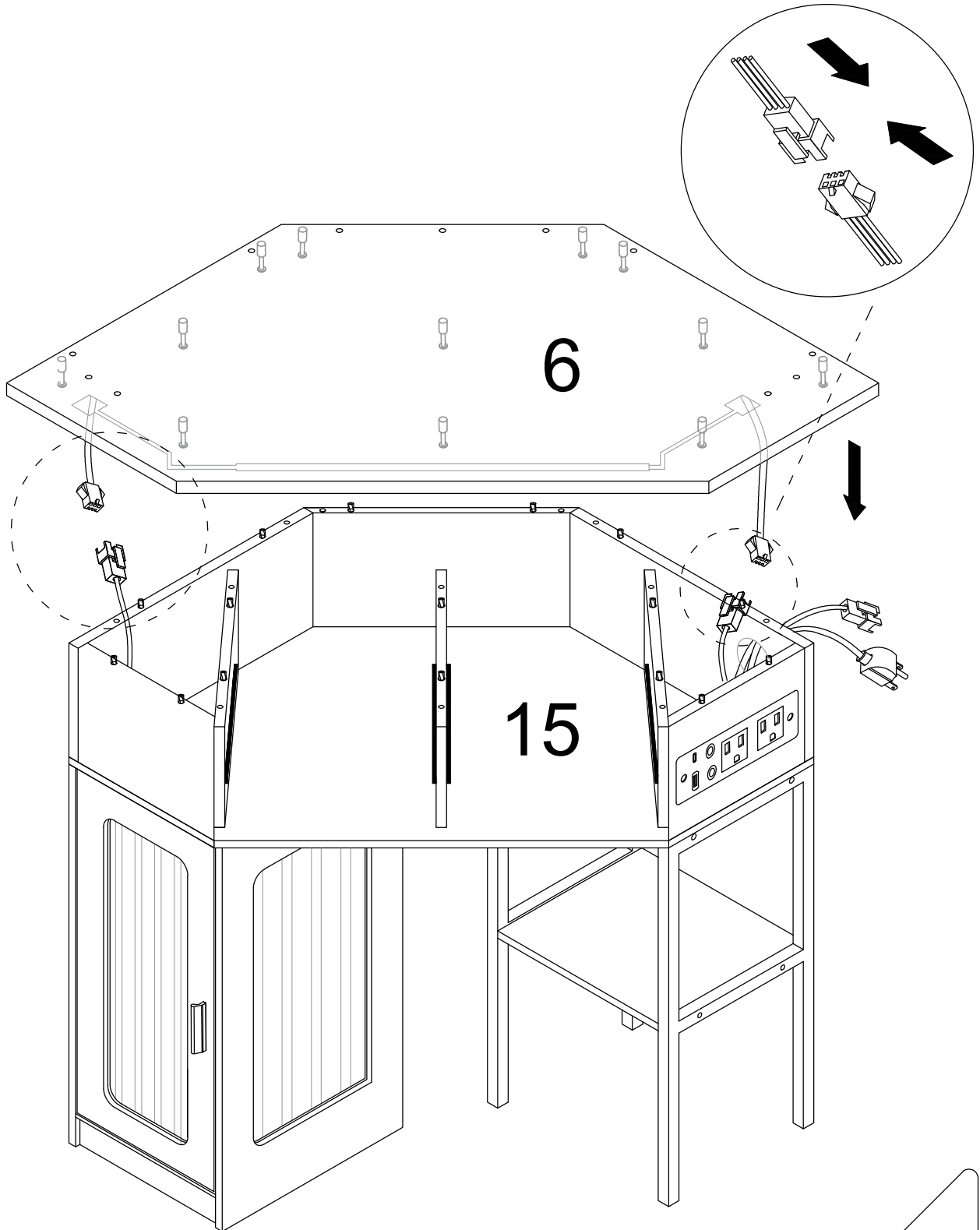


Step 40



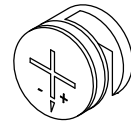
Step 41

After connecting the light wires,
place them in the panel

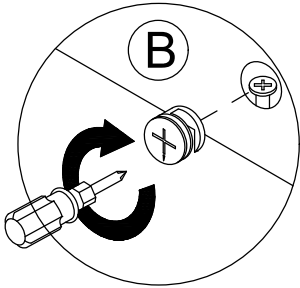


Step 42

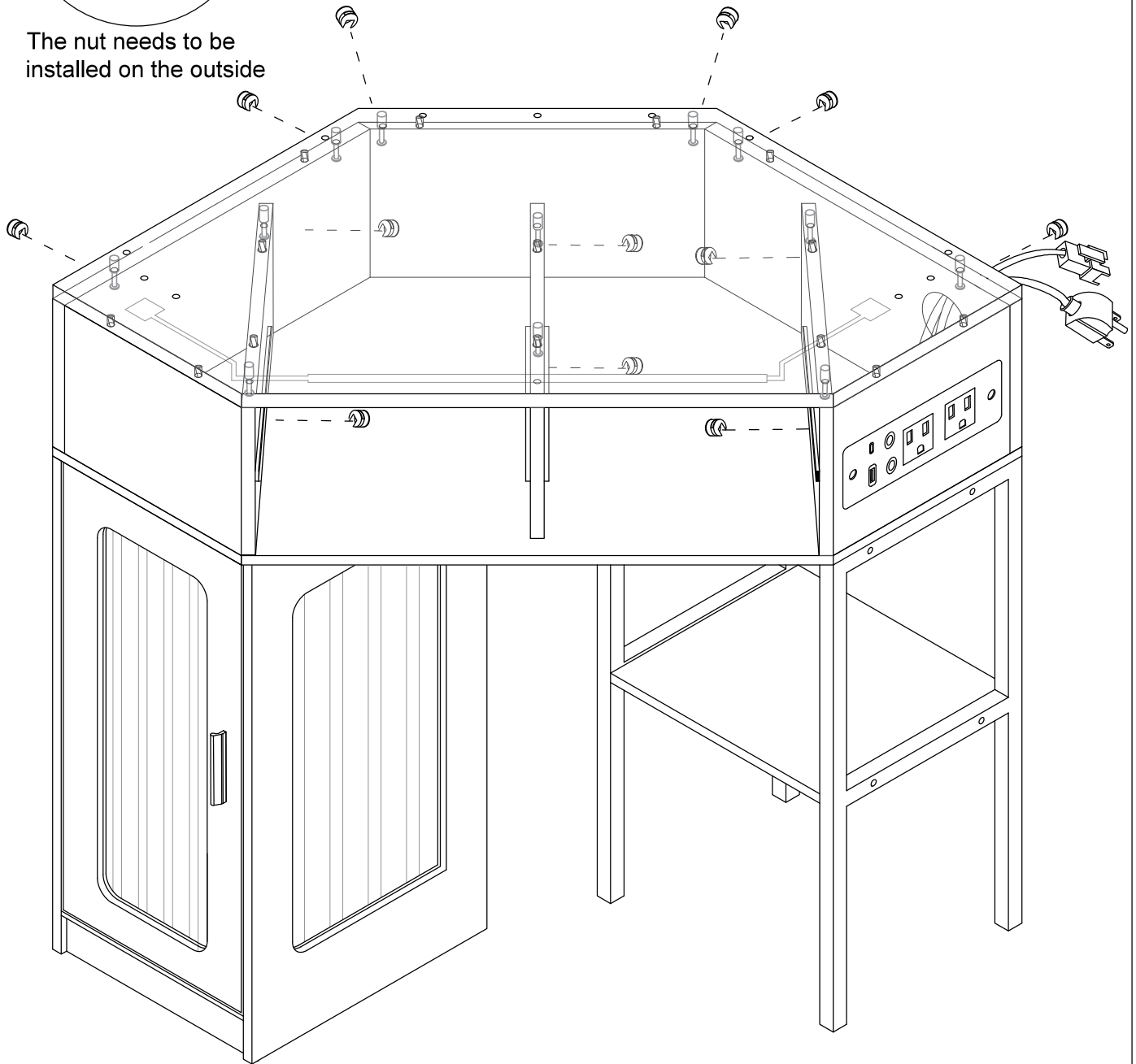
B



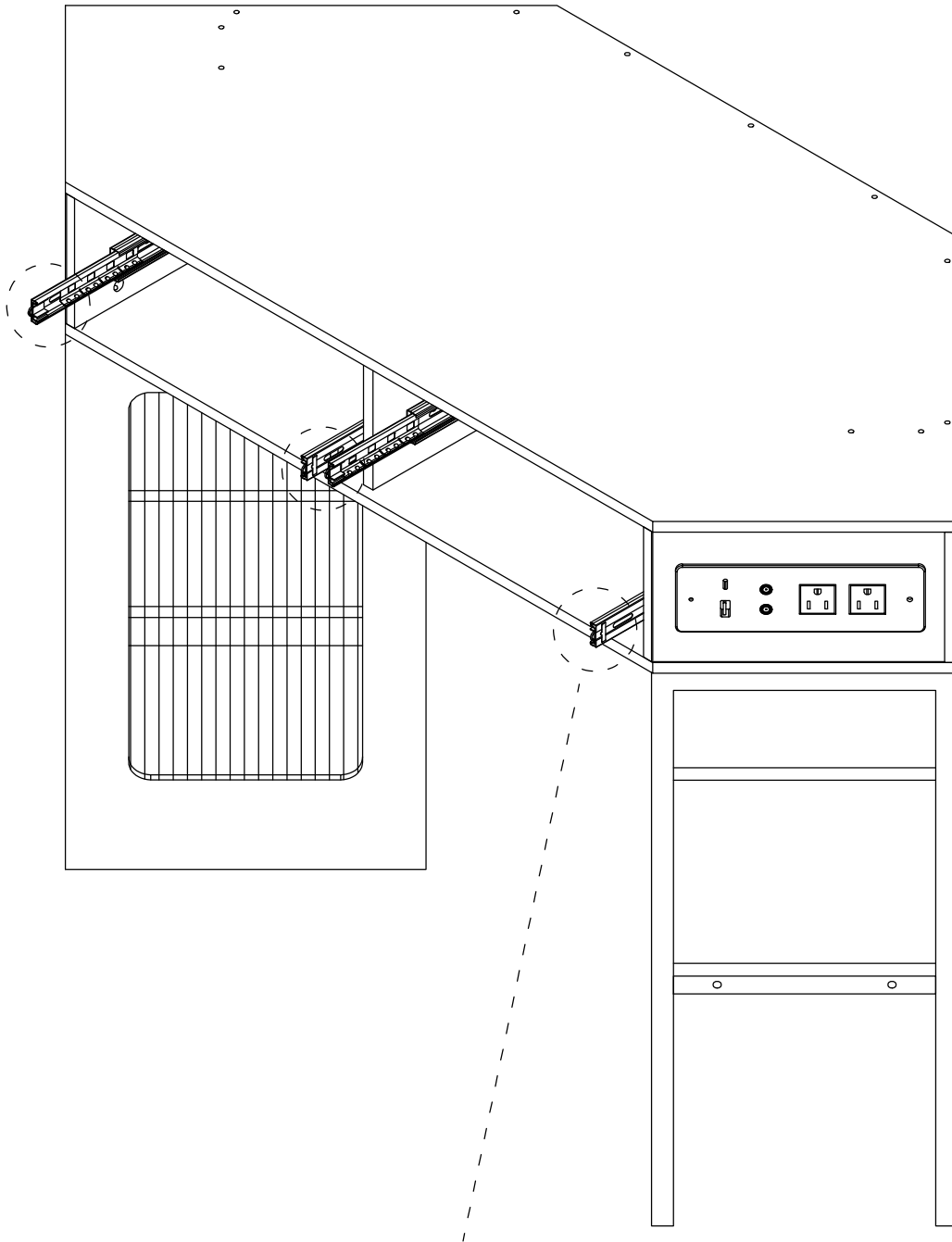
x 12



The nut needs to be installed on the outside



Step 43

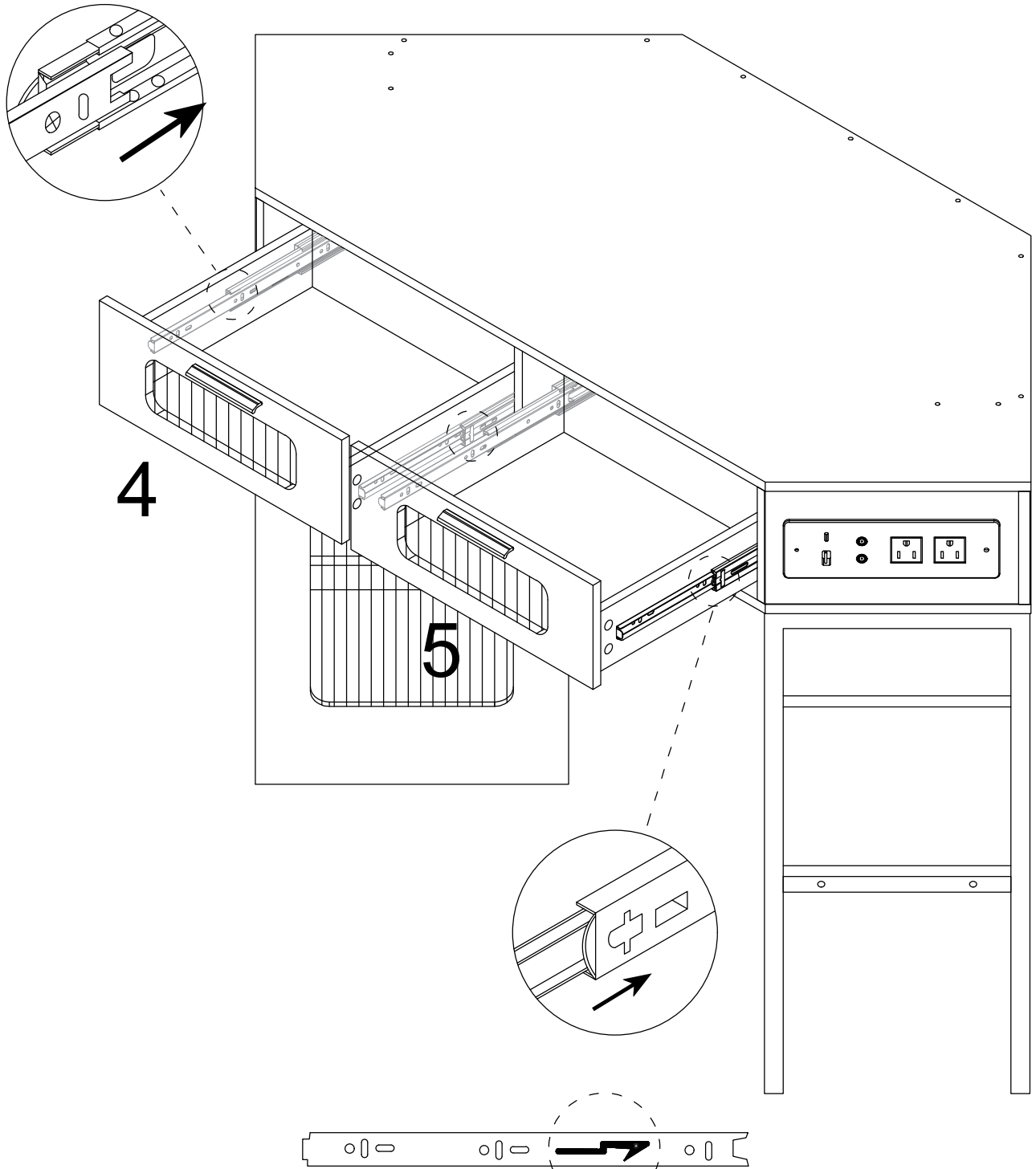


As shown, When installing the drawer, pull the guide rail out first, Slide beads are also pulled out.



Step 44

Put in the left drawer (4) and the right drawer (5)

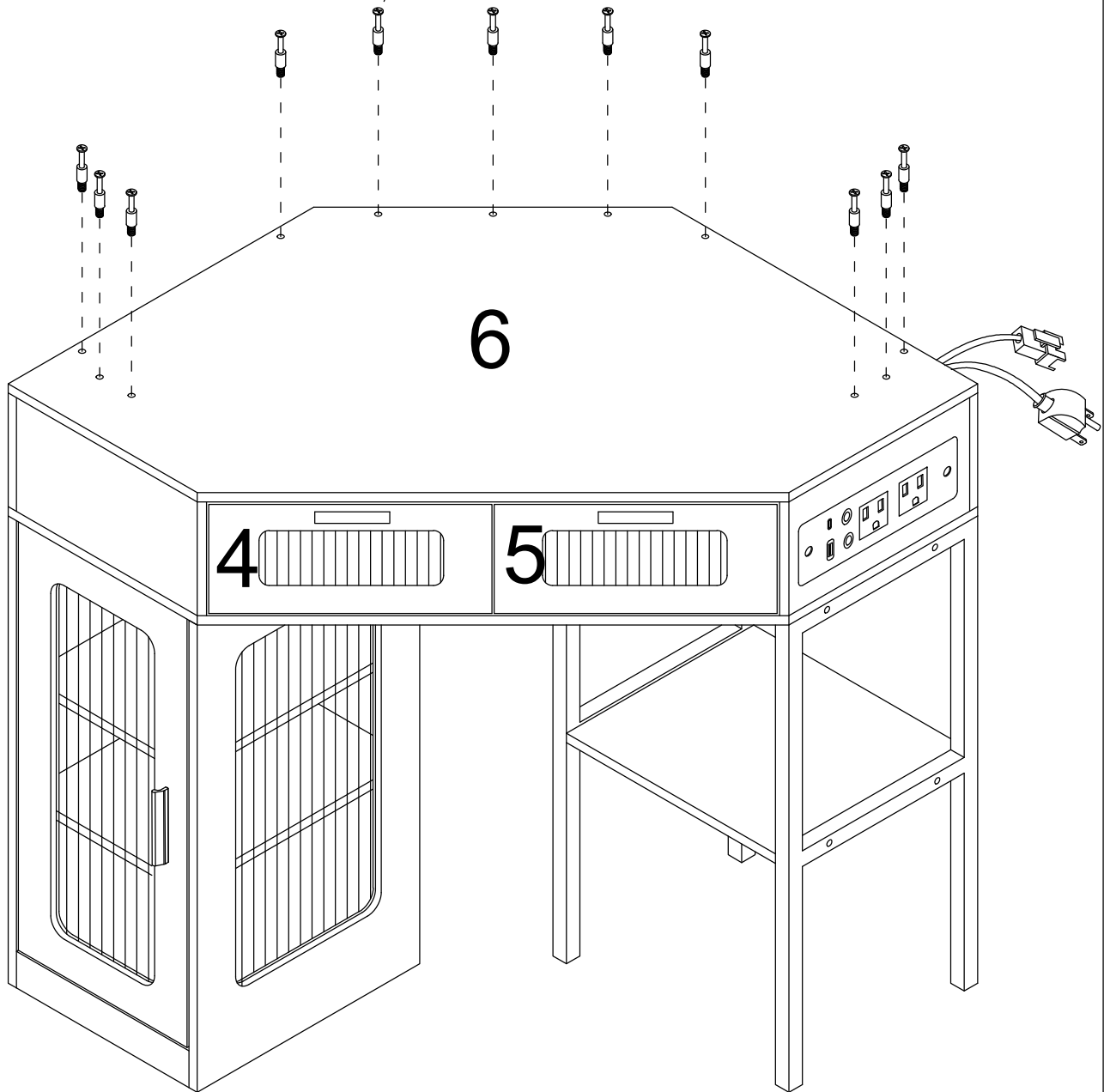
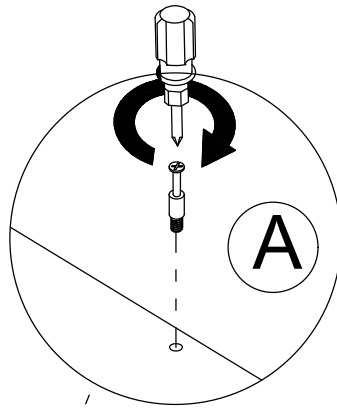
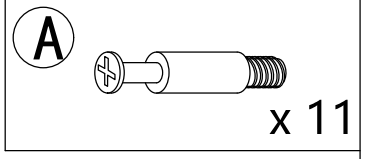


If you want to remove the drawer, you can do so.

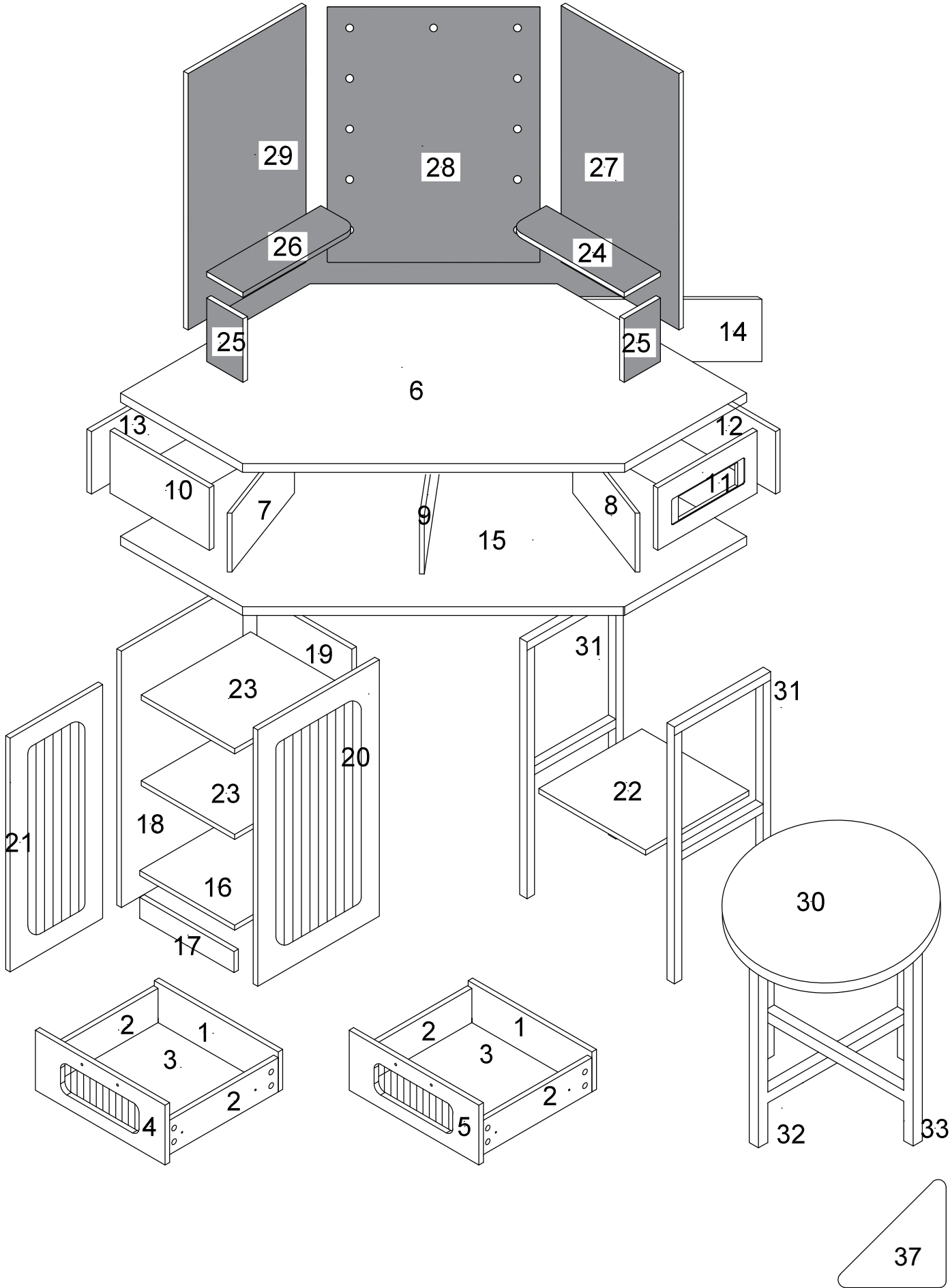
Drawer Push left up, right push down, the drawer can be removed

Drawers can be removed

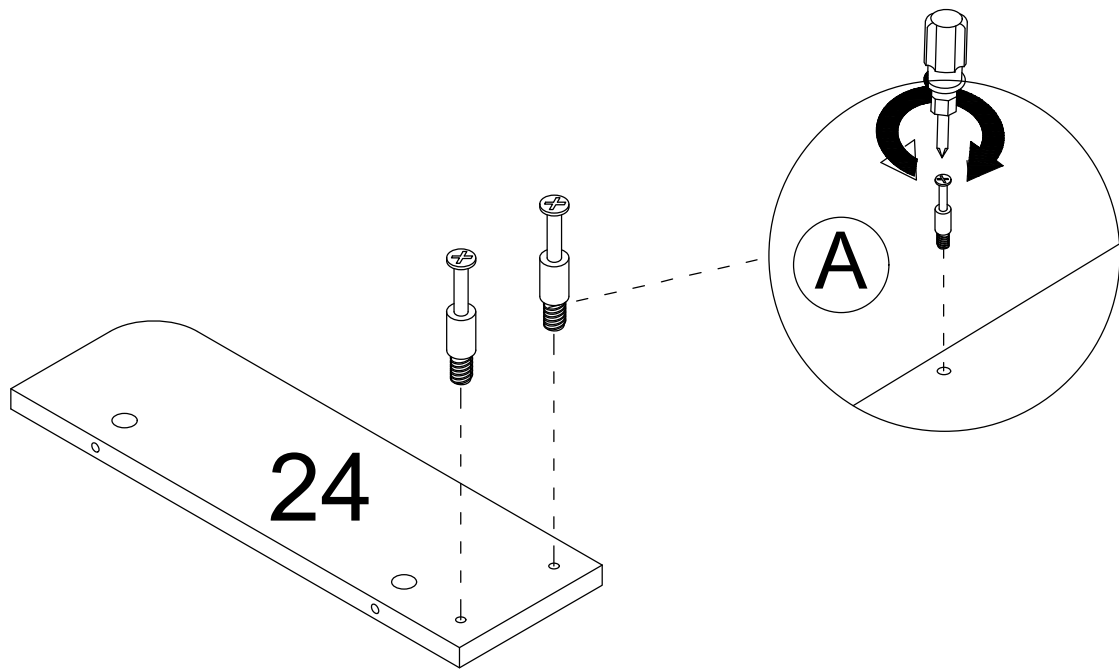
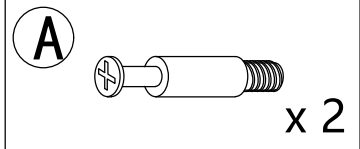
Step 45



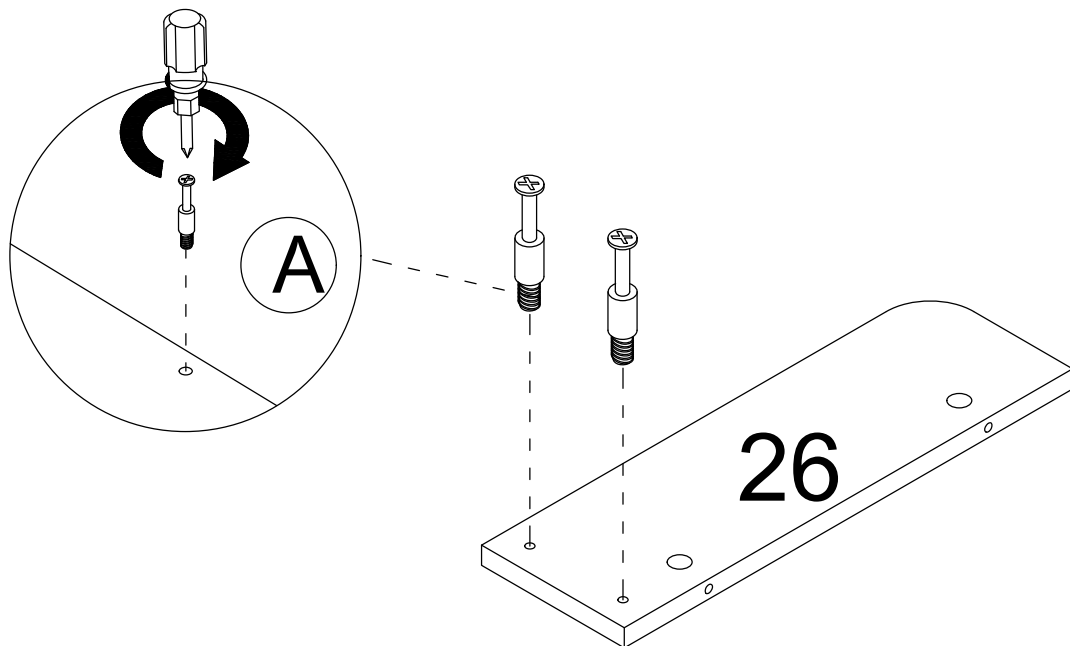
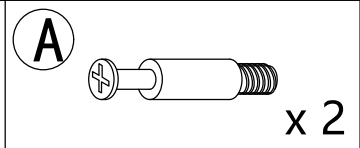
Product structure decomposition



Step 46



Step 47

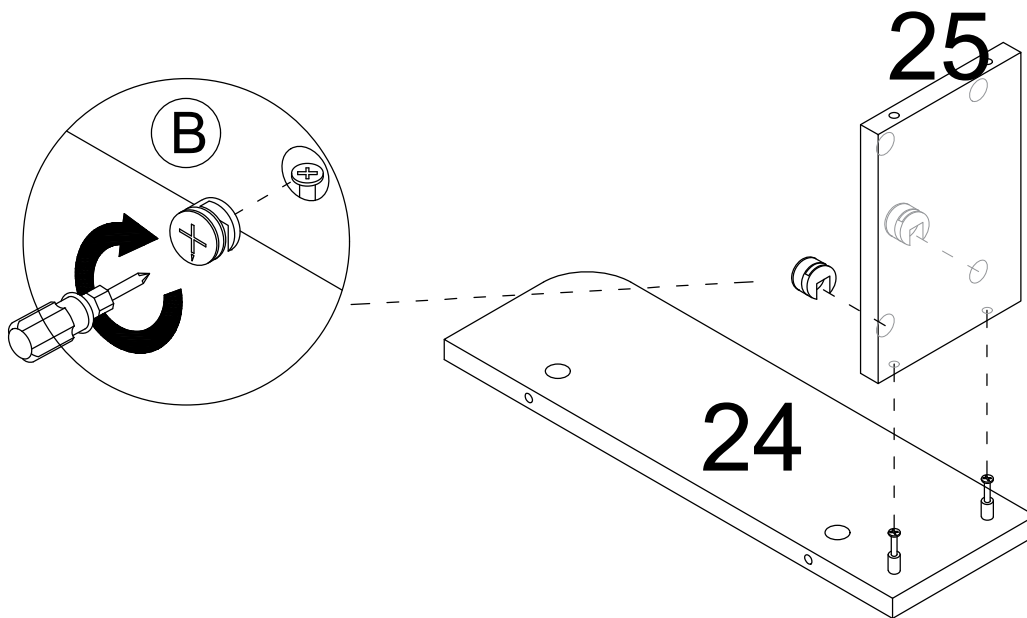


Step 48

B



x 2

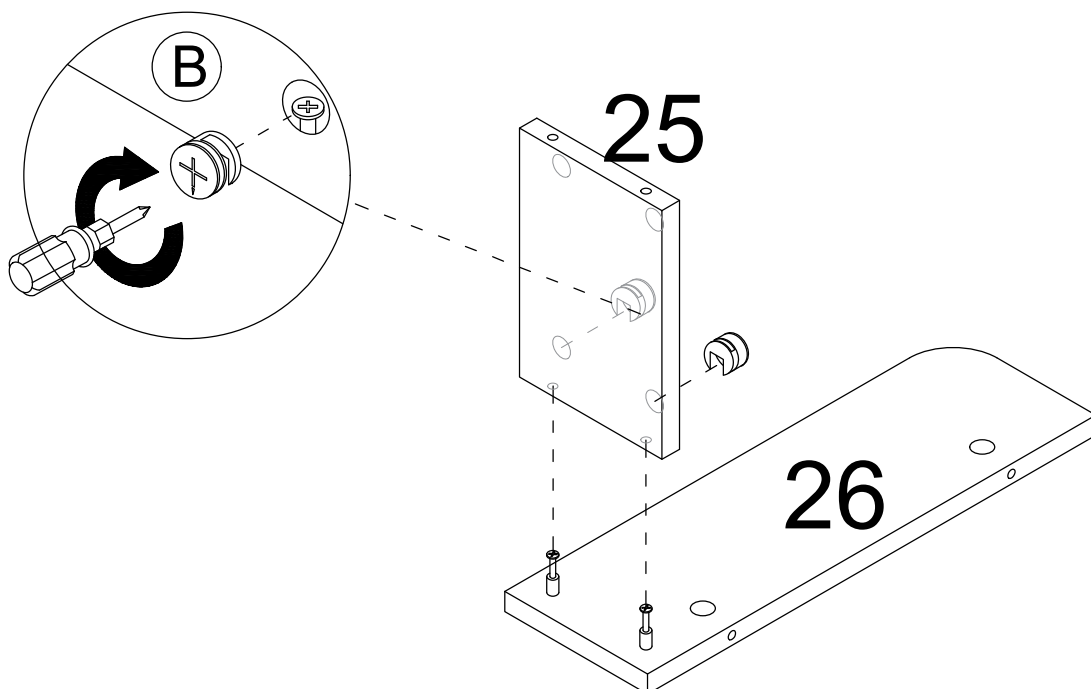


Step 49

B

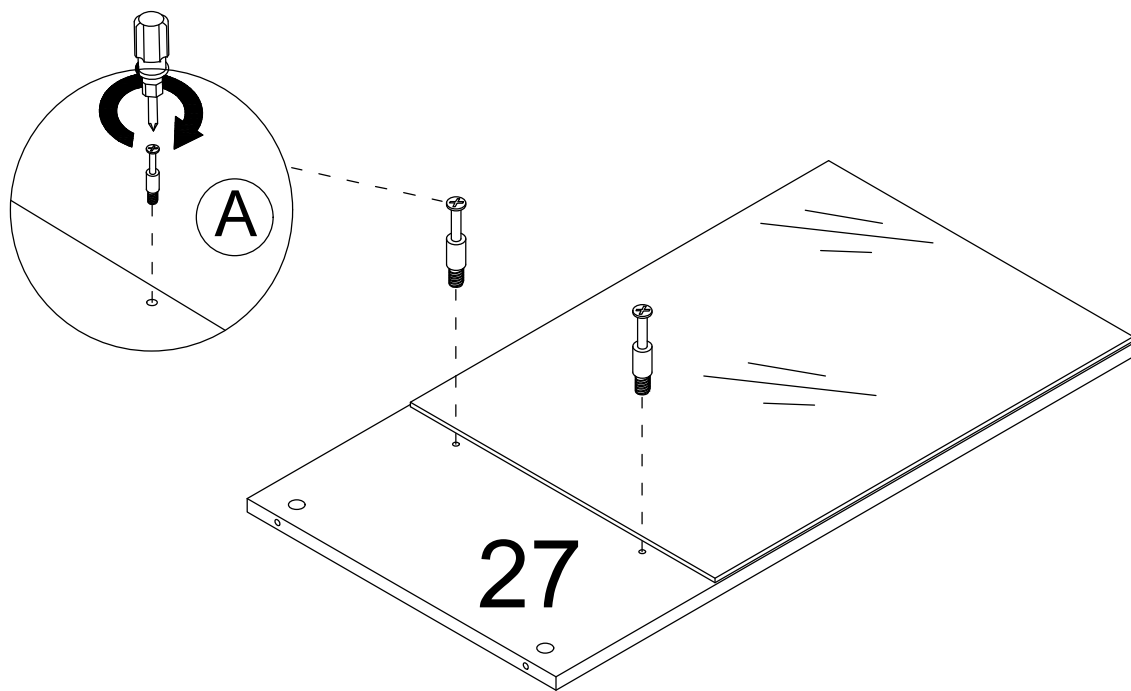
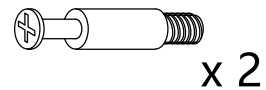


x 2



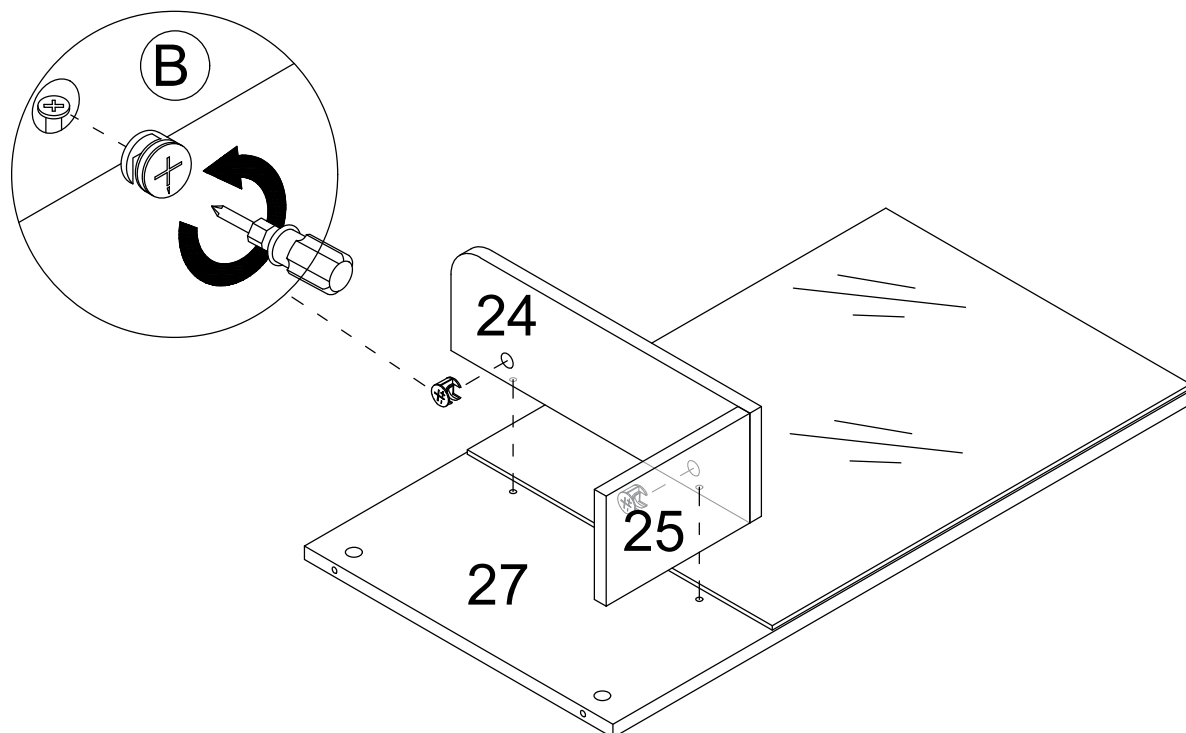
Step 50

A

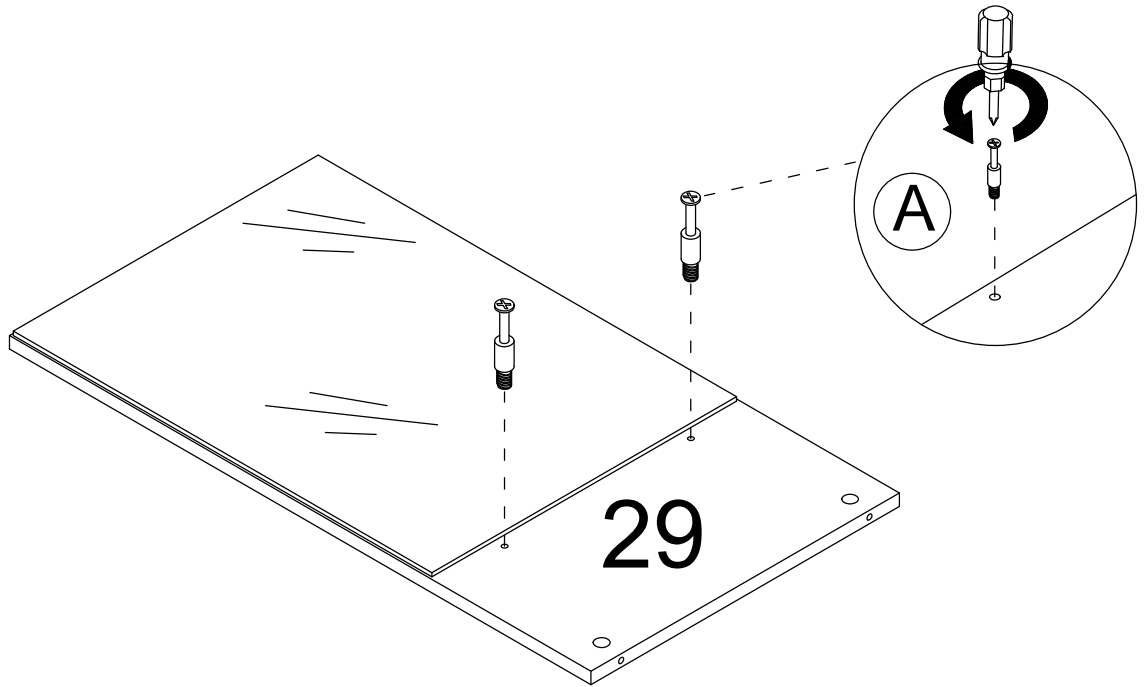
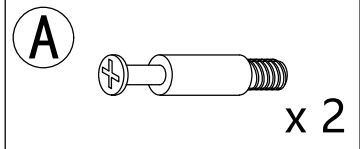


Step 51

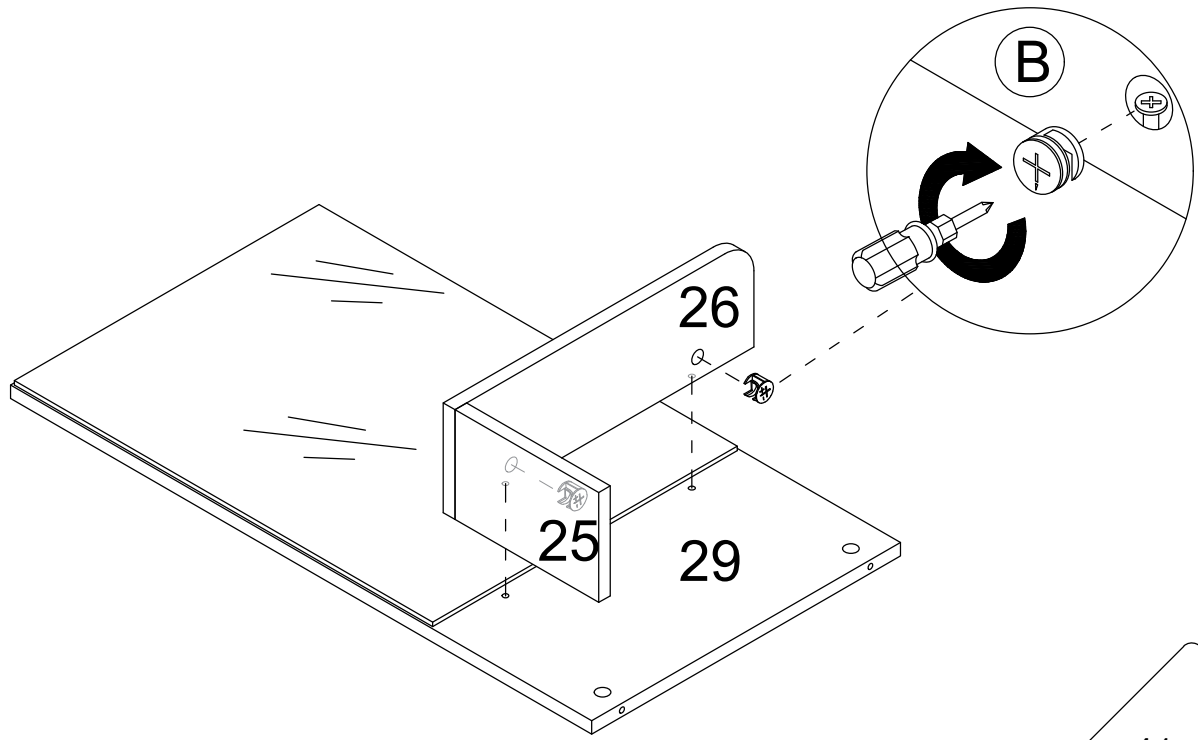
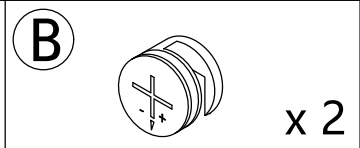
B



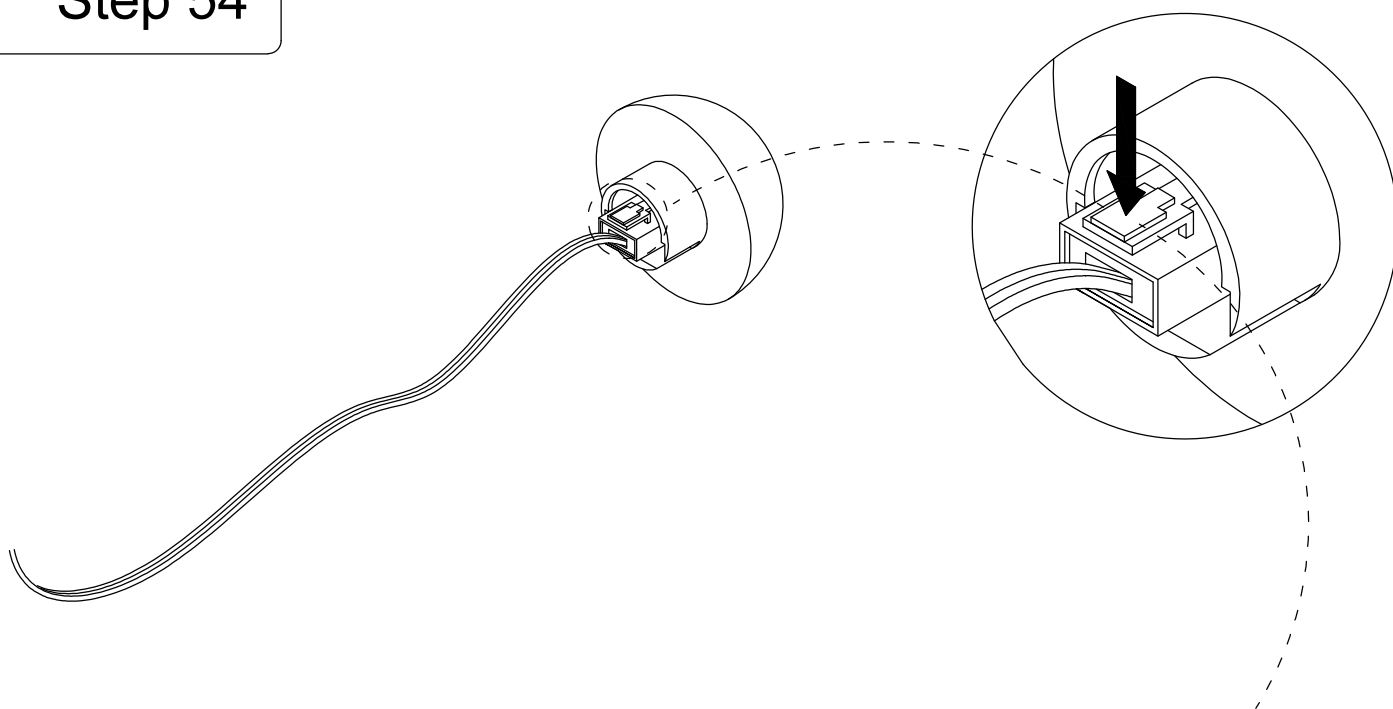
Step 52



Step 53

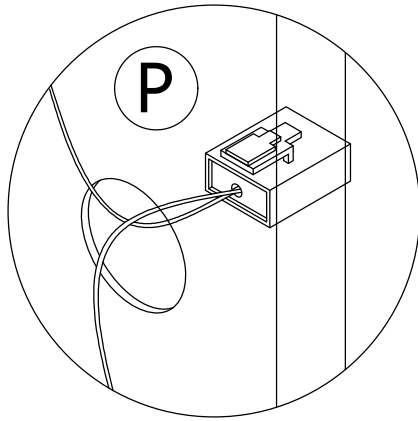
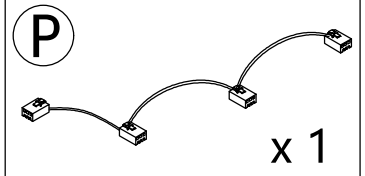


Step 54

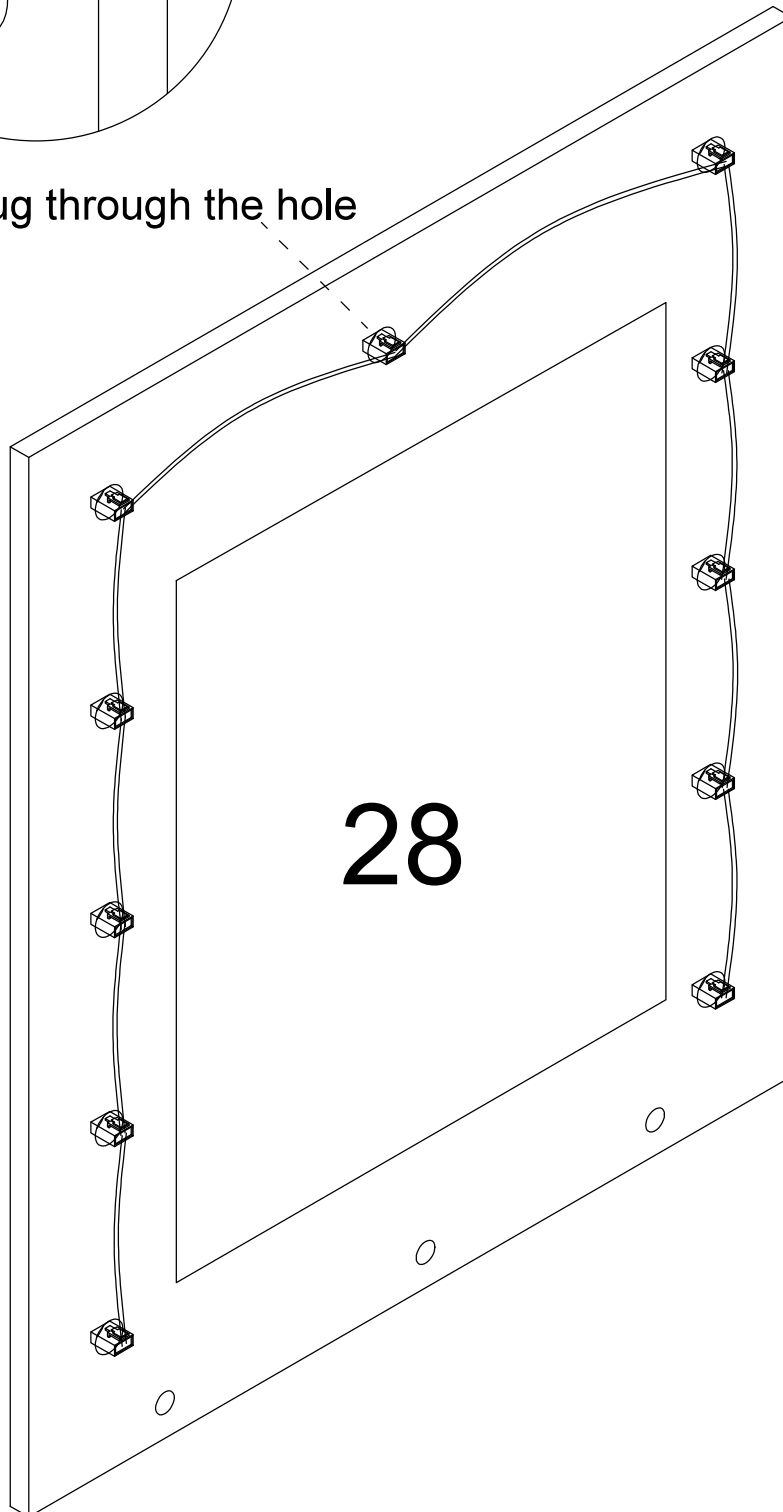


Press the plug-in to pull out the cable

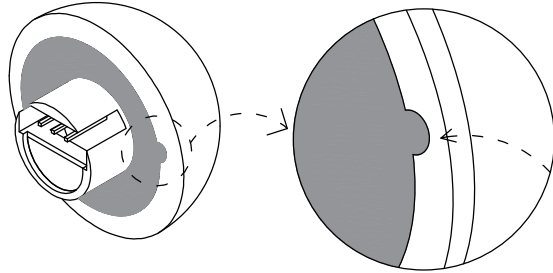
Step 55



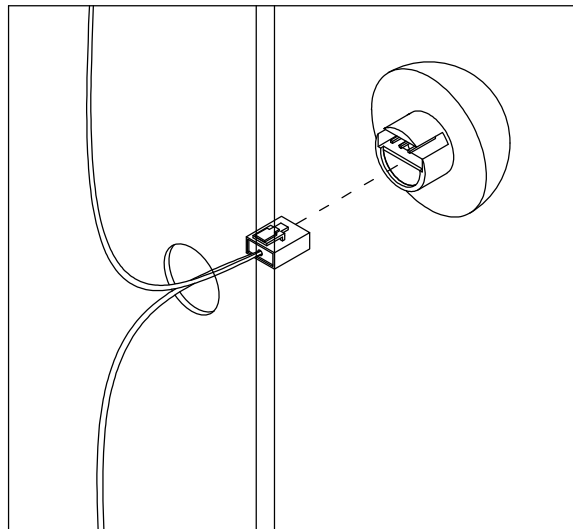
Thread the plug through the hole



Step 56



Remove the film before installation



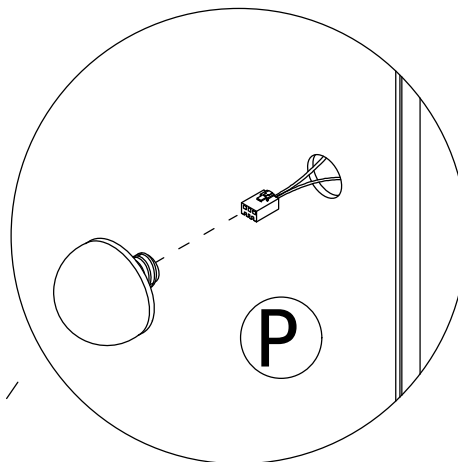
Connect the bulb to the plug

Step 57

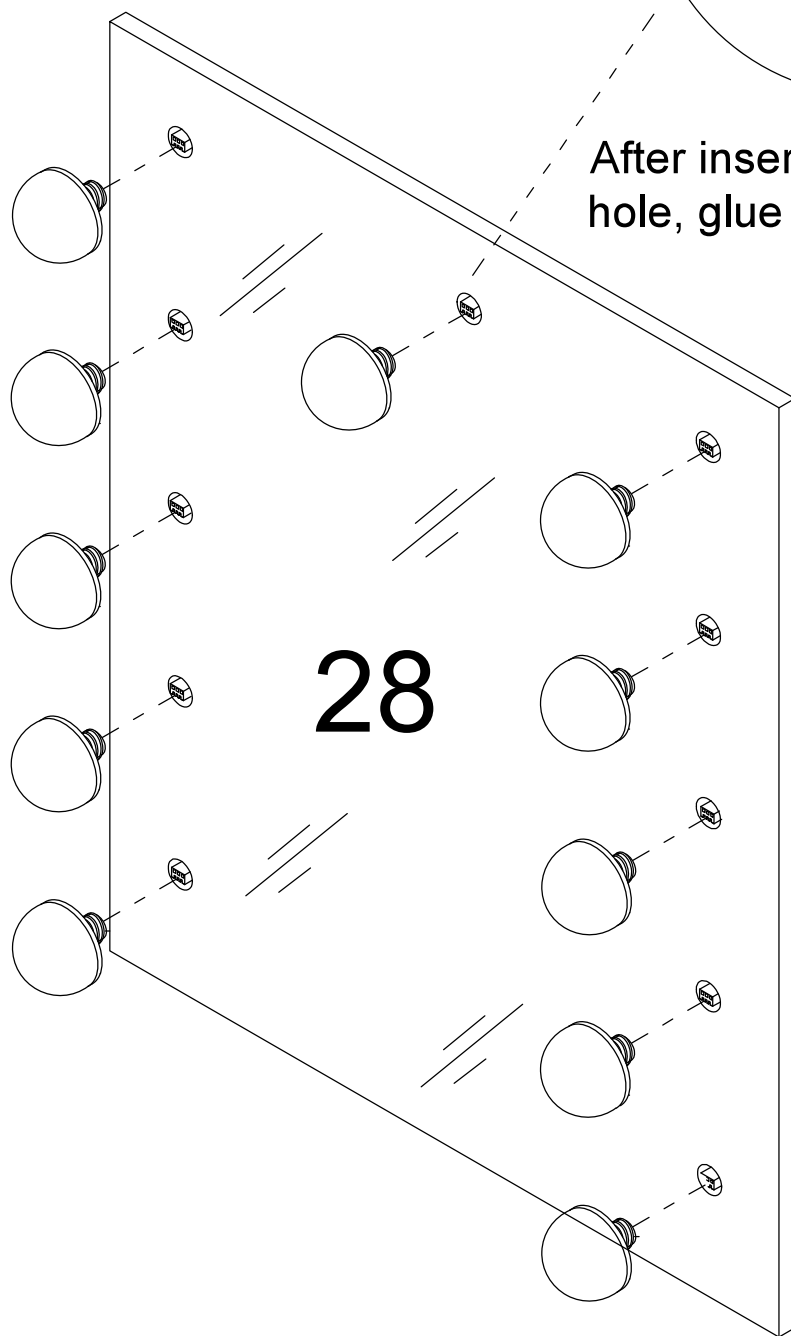
P



x 11



After inserting the bulb into the hole, glue the bulb to the board

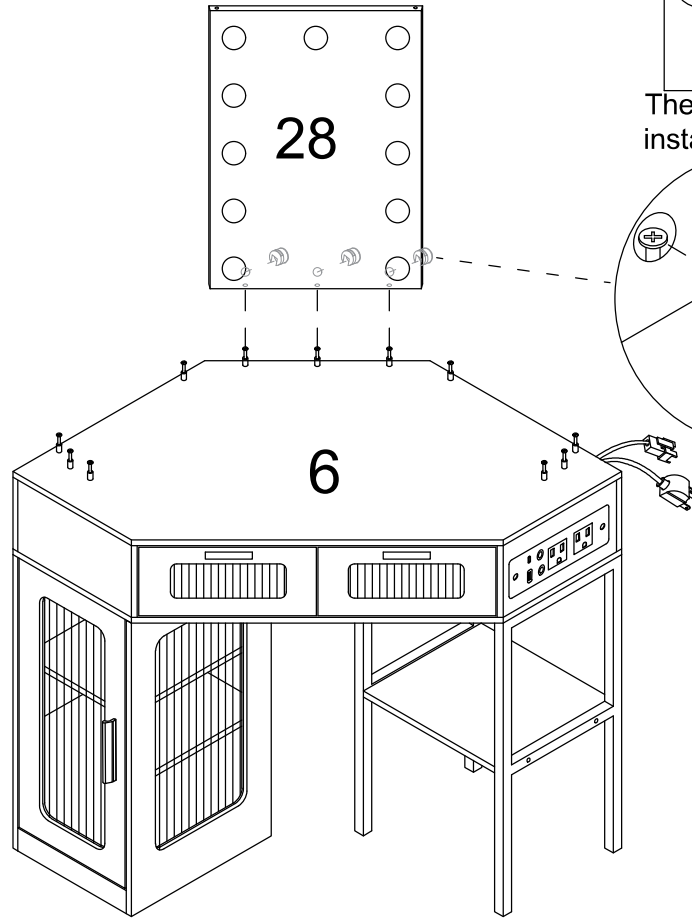
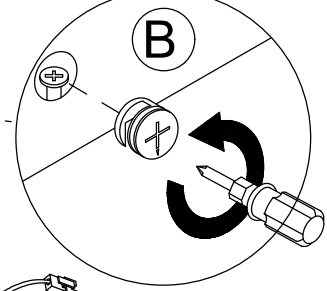


28

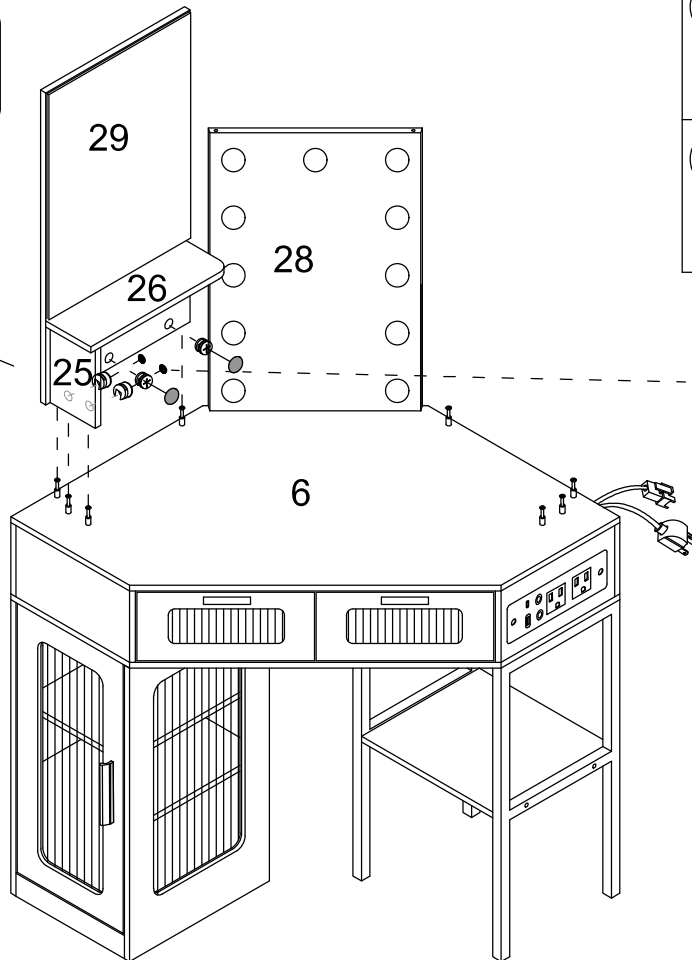
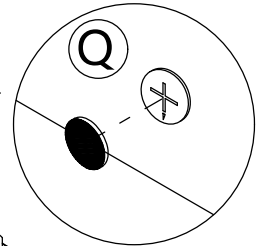
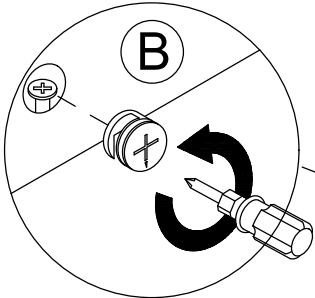
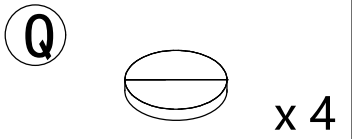
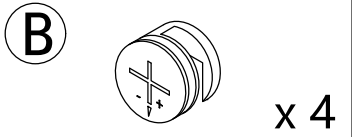
Step 58



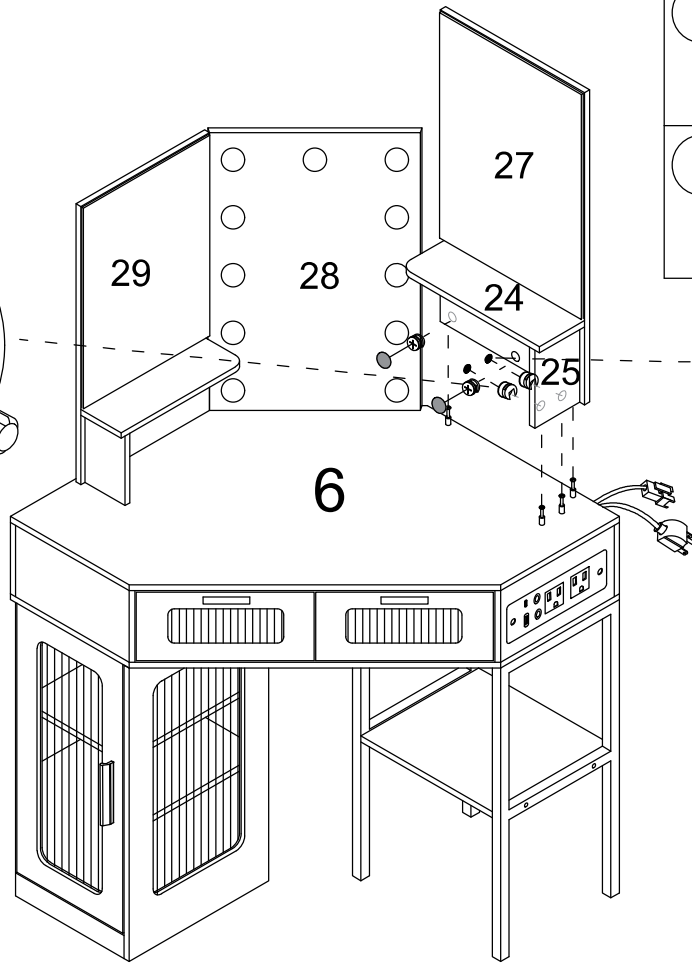
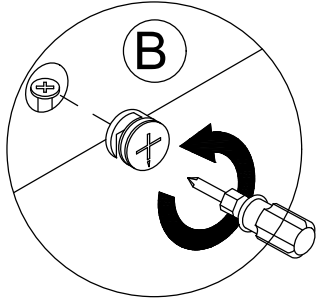
The nut needs to be installed on the outside


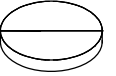


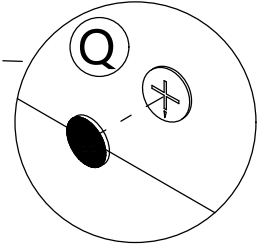
Step 59



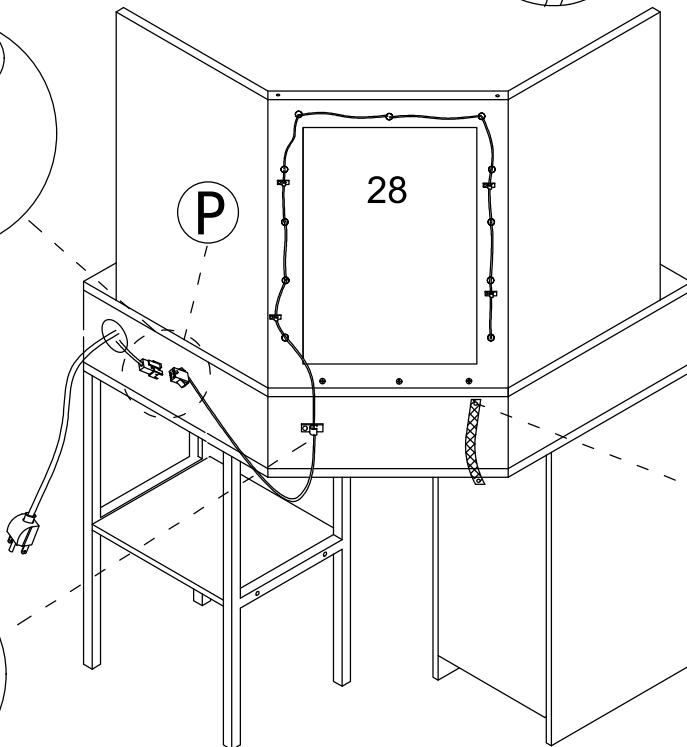
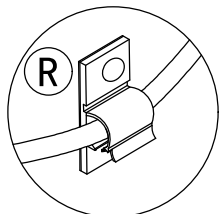
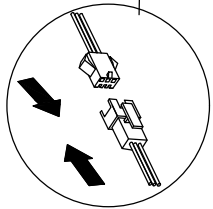
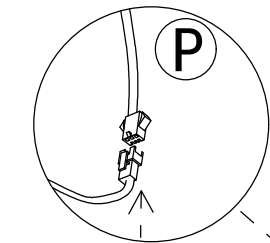
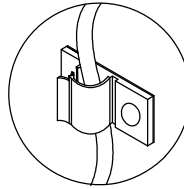
Step 60

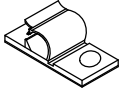




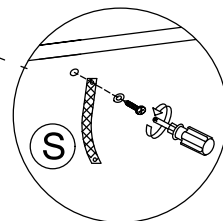
- B**  x 4
- Q**  x 4



Step 61

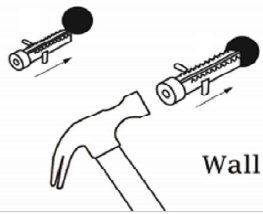
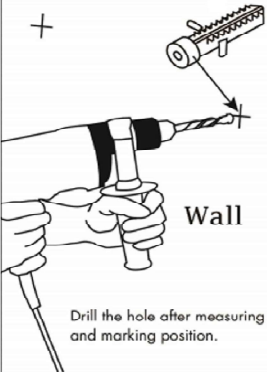





- R**  x 4
- S**  x 1
-  x 1

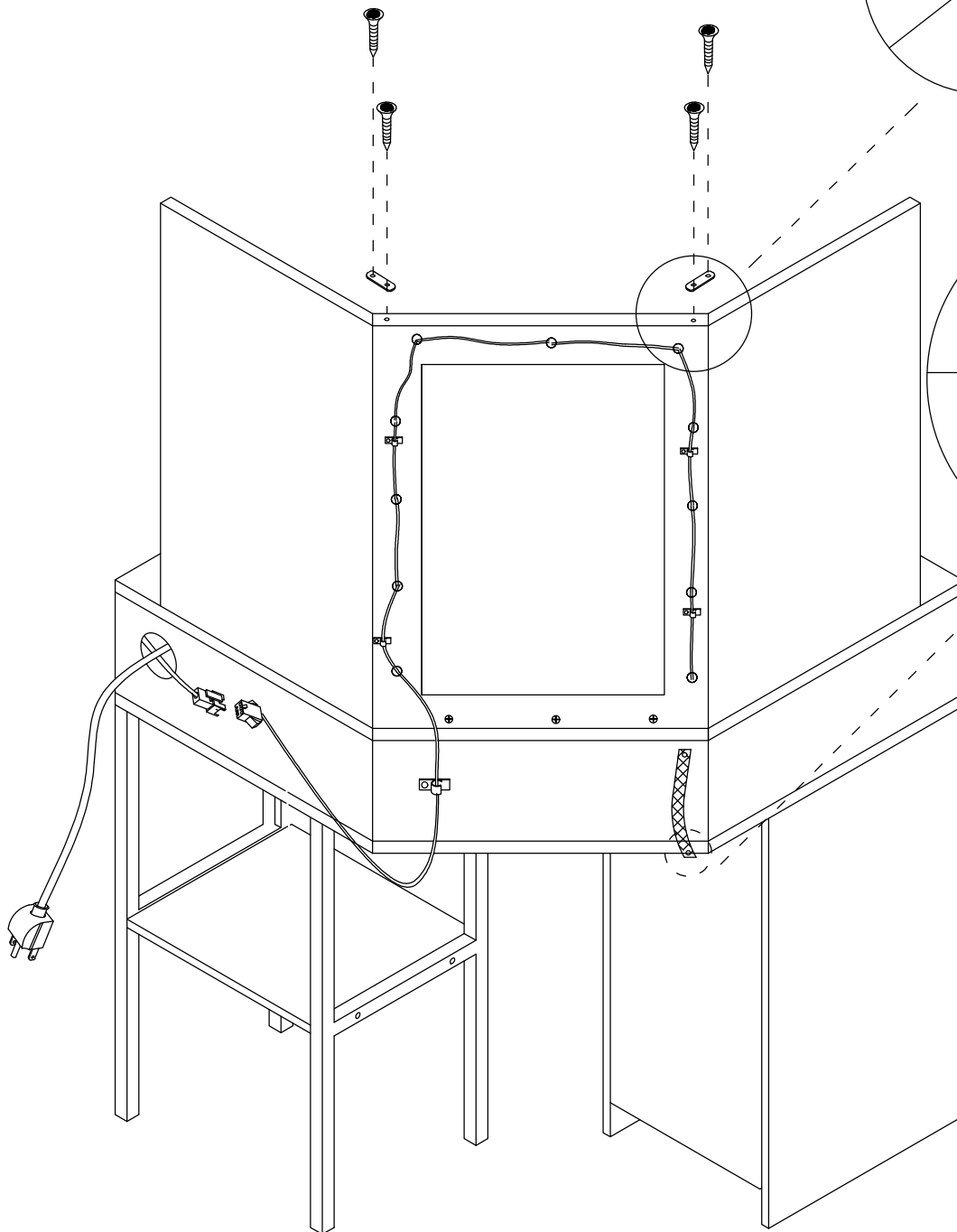
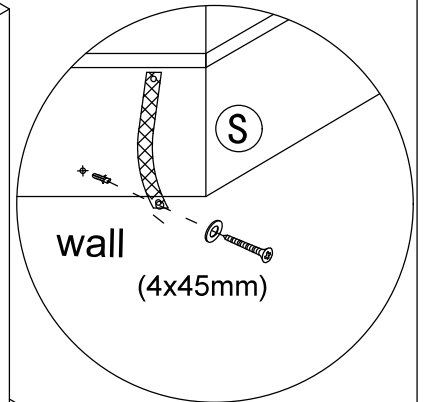
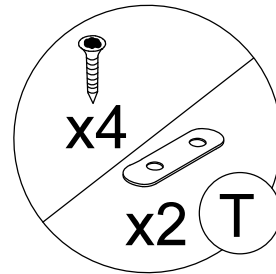


Step 62

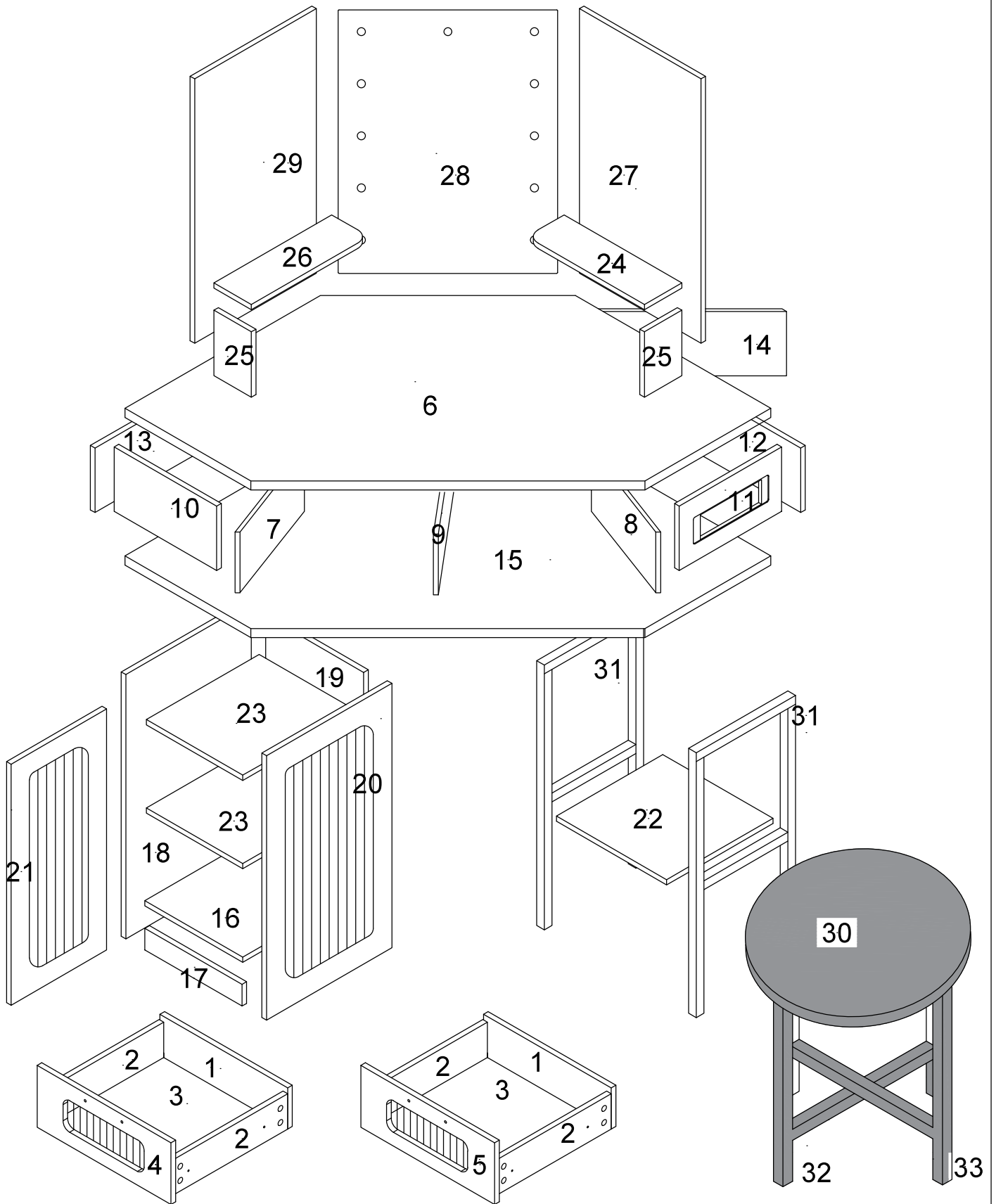
Wall Mount





S	 x 1  x 1
T	 x 2

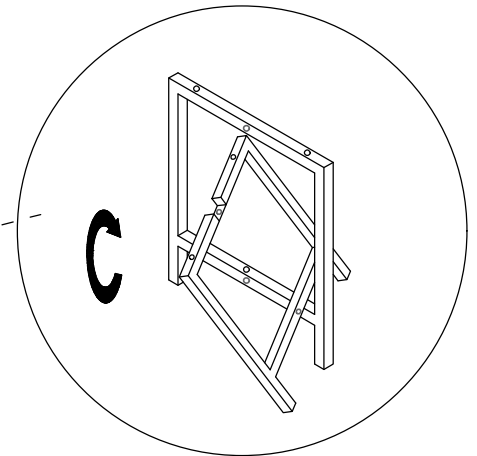
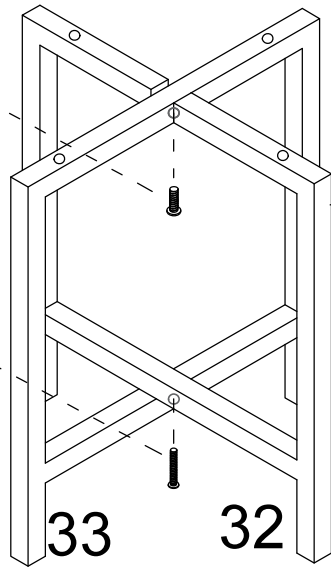
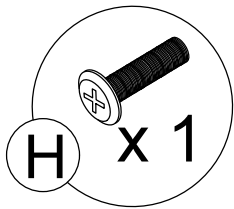
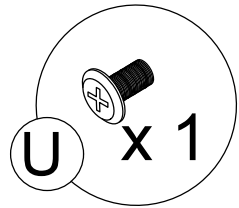


Product structure decomposition




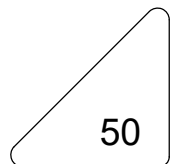
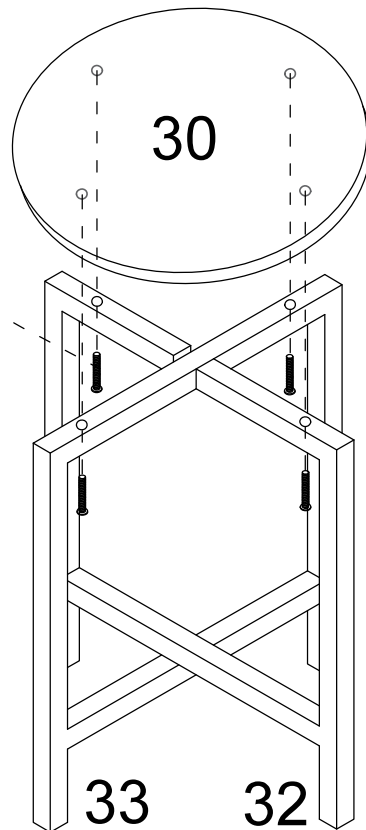
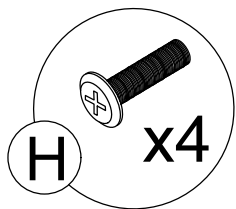
Step 63

H		x 1
U		x 1



Ste 64

H		x 4
---	---	-----

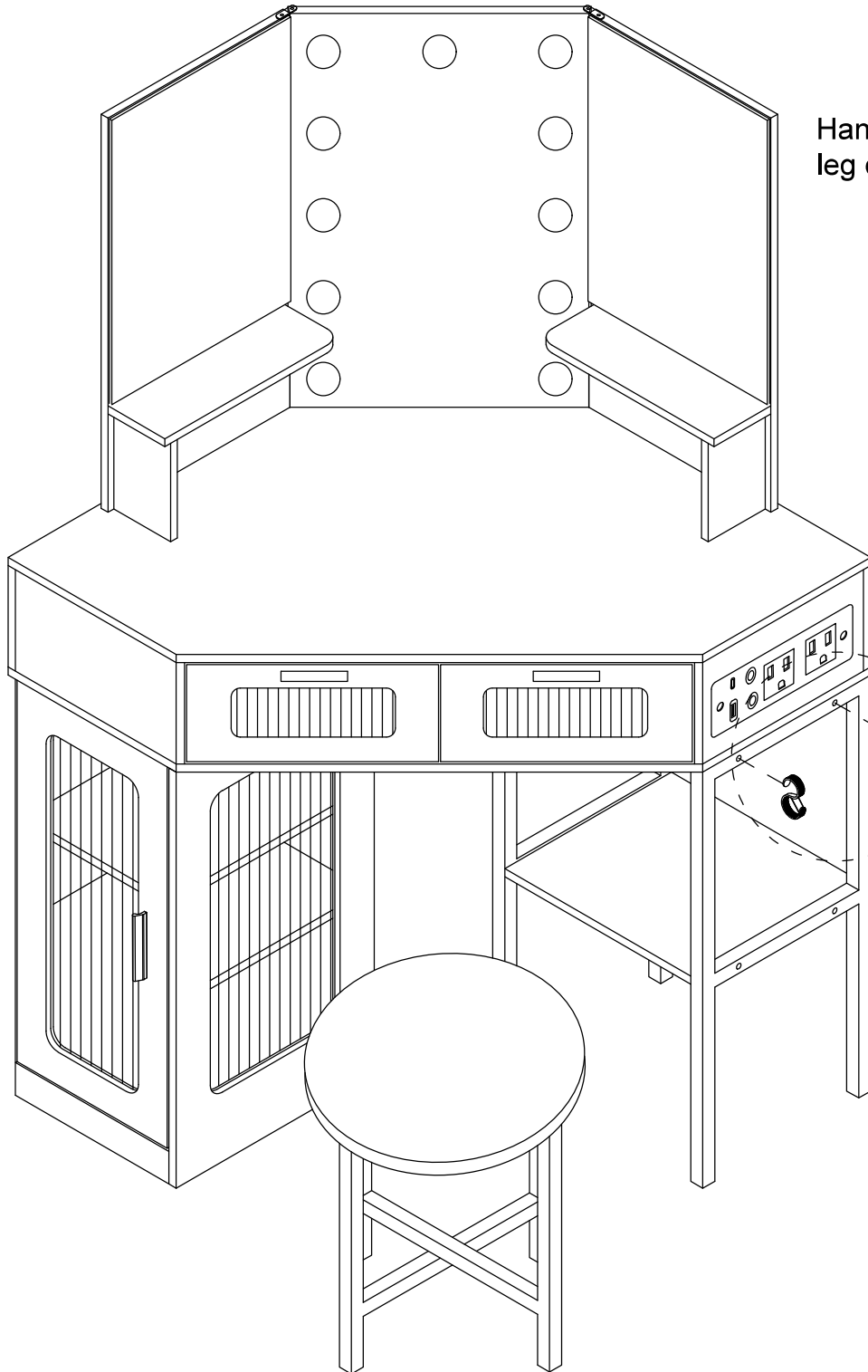


Step 65

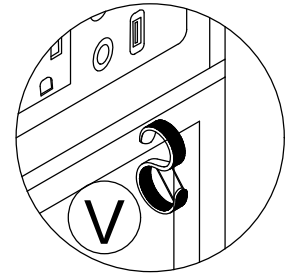
V



x 2

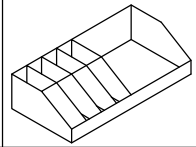


Hanging the hook on the iron leg can be used to hang things

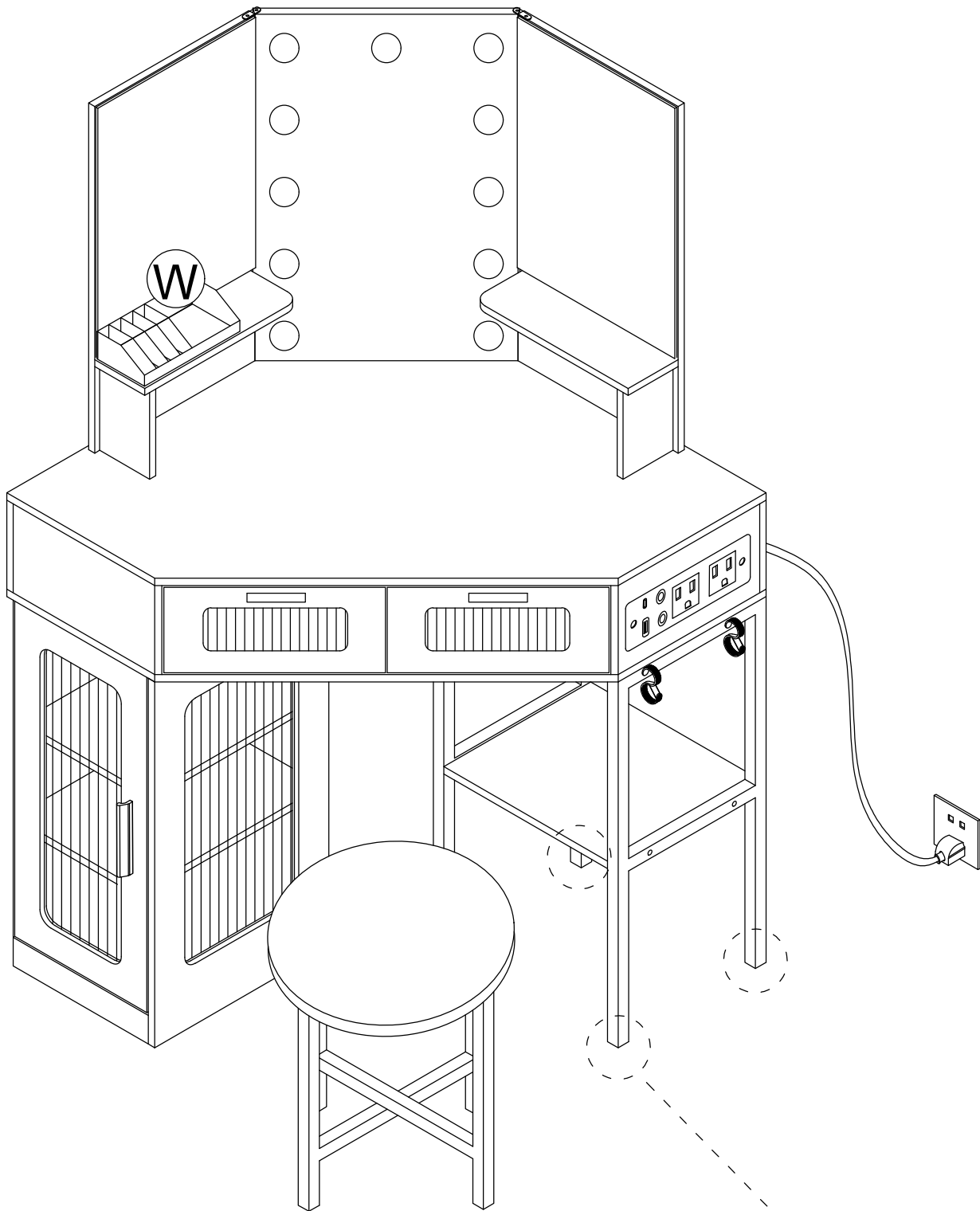


Step 66

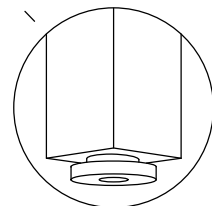
W



x 1



Height can be adjusted under the hardware foot to avoid imbalance



Socket styles differ by region,
but their overall functions remain unchanged.

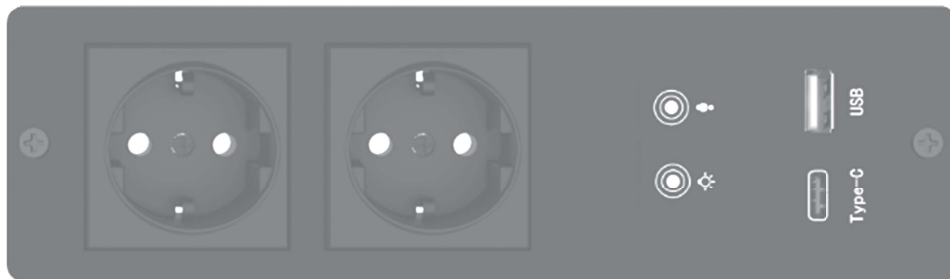
American socket



British Socket



European socket



Australian socket





User's Guide

Thank you for purchasing this product.

To use this product, please plug it into a 12V DC power supply.

Please use if the product works normally after connecting to power.

Introduction

The box is an intelligent controller. It has 1 USB output port 1 Type-c port and can distribute the current output up to 5V DC-2A. With 2 touch buttons, it can turn. ON/OFF the light, change light colors, and adjust the light luminance.

Operation



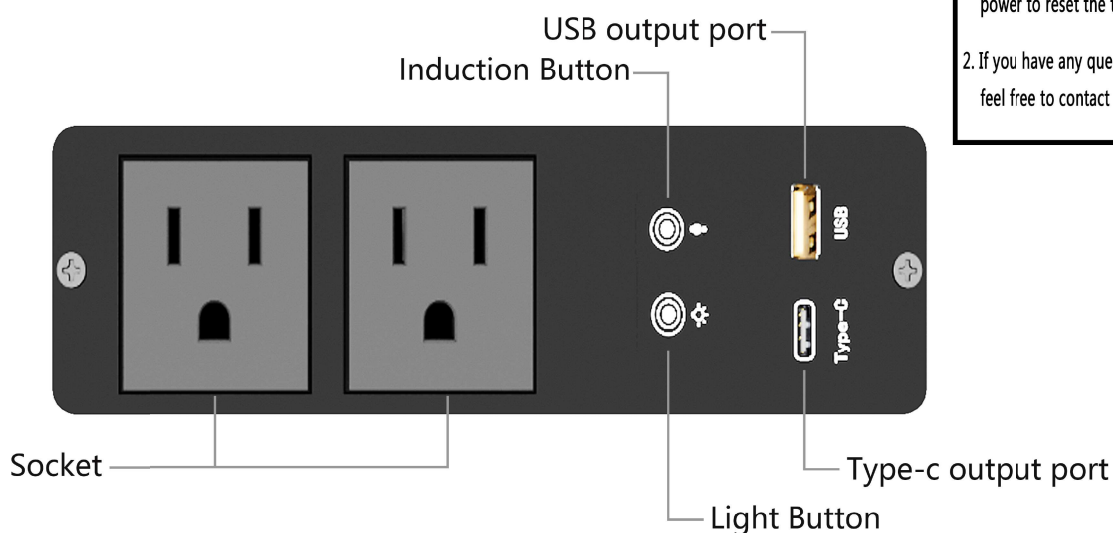
This touch button is used to turn on/off, change colors, and adjust brightness.

- A. Short touch -> lighting on -> short touch -> change light color -> short touch -> change light color -> short touch -> lighting off.
- B. Long touch -> adjust the luminance.



This touch button is used to turn on/off the induction function.

- A. Short touch to turn on the induction function. It can auto-turn on the light when people are close to the controller in 1 meters. It can auto power off the light when the body is far away from the controller after 30 seconds.
- B. Long touch to turn off the induction function.
- C. Note: When you touch the light button to change the light modes, the induction function will automatically turn off. It is best to turn on this function after selecting the light color and adjusting the brightness you want.



ATTENTION PLEASE

1. If there is no touch response suddenly, Re-plug the power to reset the touch static electricity.
2. If you have any questions when installing, please feel free to contact us. Thank you.