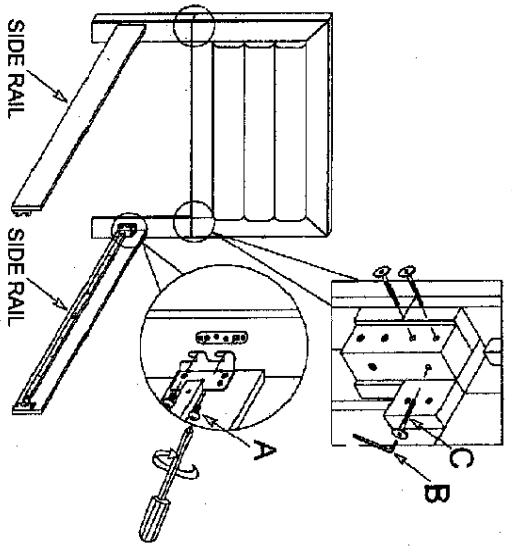


# ASSEMBLY INSTRUCTION

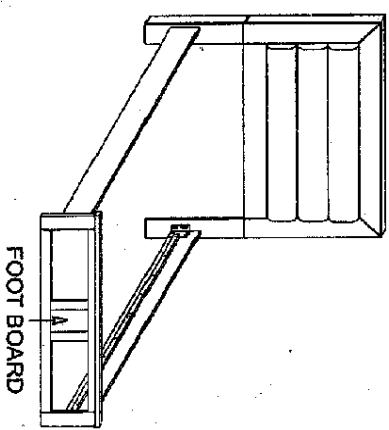
## TWIN BED

Before you begin, please read Assembly Instruction carefully and recognized the part and hardware. Then follow them step by step.

### STEP 1.



### STEP 2.



TIPS: REPEAT STEP 1 TO JOINT FOOT BOARD.

HARDWARE PART 1		
NO	HARDWARE DESCRIPTION	QTY
A.	Screw M8	8PCS
B.	Allen key	1PC
C.	JCBC Bolt M6 X 60mm	6PCS

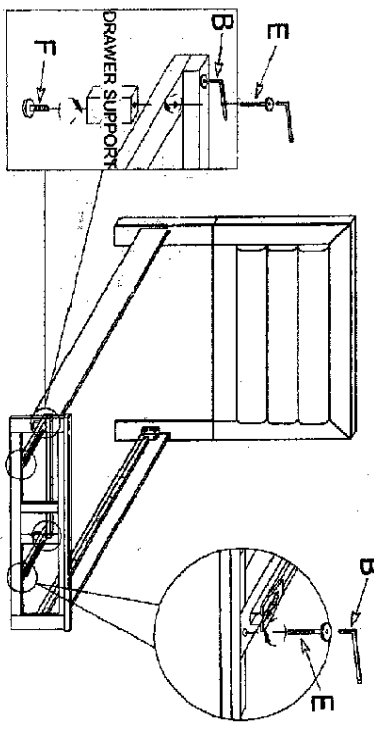
SCREW DRIVER NOT PROVIDE !!!

HARDWARE PART 2		
NO	HARDWARE DESCRIPTION	QTY
D.	Screw M4 x 32mm	28PCS
E.	Bolt M6 x 35mm	11PCS
F.	Adjuster M6 x 24mm	3PCS

Screw Driver Not Provide !!!

### STEP 3.

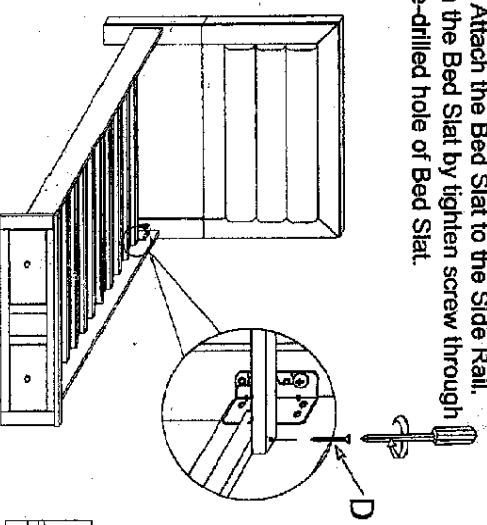
TIPS : Attach the drawer support and slat support to footboard and fasten with JCBC Bolt M6 x 35mm.



\* TOTAL SLAT : 14PCS + 1PC LONG + 3PCS (SLATS SUPPORT)

### STEP 4.

TIPS : Attach the Bed Slat to the Side Rail. Fasten the Bed Slat by tighten screw through the pre-drilled hole of Bed Slat.



a. TIPS : Rotate the slat support and tighten using with Allen key.

