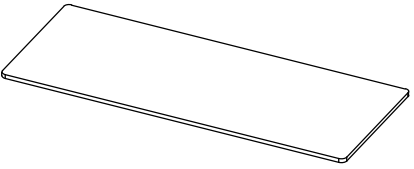
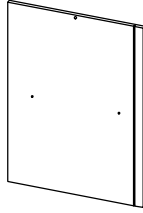
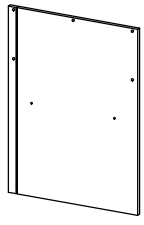
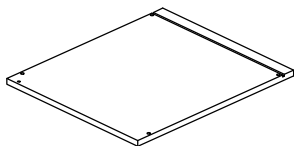
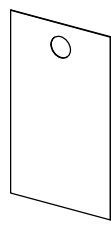
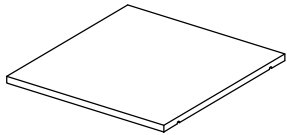
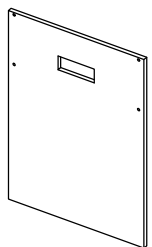
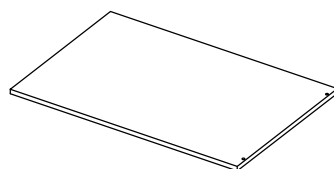
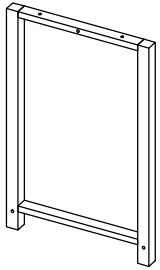
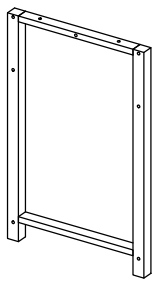
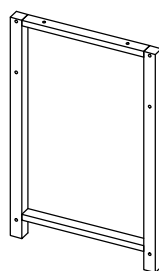
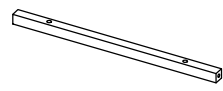
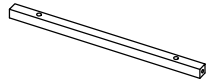
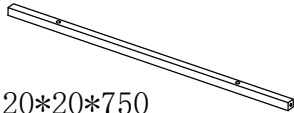
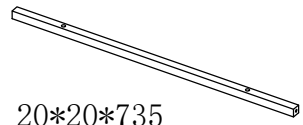
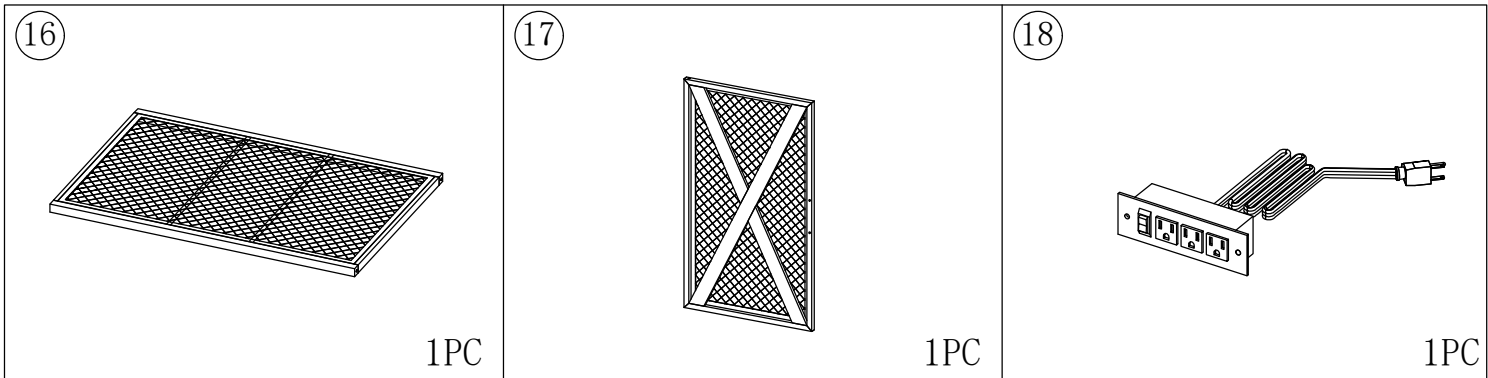
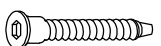
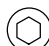
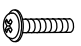

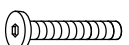


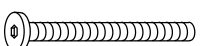
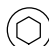
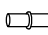
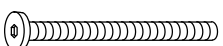





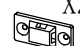



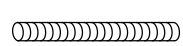


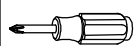



<p>①</p>  <p>1PC</p>	<p>②</p>  <p>1PC</p>	<p>③</p>  <p>1PC</p>
<p>④</p>  <p>1PC</p>	<p>⑤</p>  <p>1PC</p>	<p>⑥</p>  <p>1PC</p>
<p>⑦</p>  <p>1PC</p>	<p>⑧</p>  <p>1PC</p>	<p>⑨</p>  <p>1PC</p>
<p>⑩</p>  <p>1PC</p>	<p>⑪</p>  <p>1PC</p>	<p>⑫</p>  <p>20*20*430</p> <p>2PCS</p>
<p>⑬</p>  <p>20*20*400</p> <p>1PC</p>	<p>⑭</p>  <p>20*20*750</p> <p>2PCS</p>	<p>⑮</p>  <p>20*20*735</p> <p>2PCS</p>



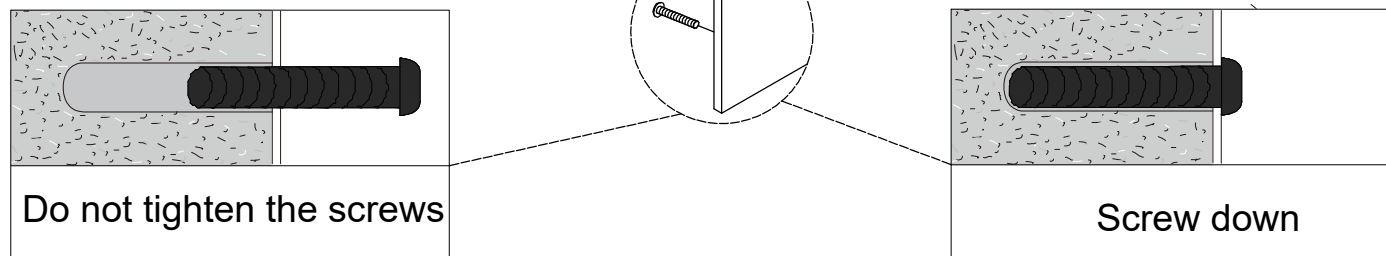
### Tool sheet

No.	PICTURE	SIZE	QTY	No.	PICTURE	SIZE	QTY
A	 	ST7*40	6	G	 X2  X1	M4*18	1
B	 	M6*30	20	H		M8	6
C	 	M6*60	4	I		M6	6
D	 	M6*70	10	J			1
E	 	ST3*14	4	K	 X2  X2  X2  X2  X1		2
F		M6*80	2		   		1

#### Notice:

1. Please unbox the item from the side with an open label and put a carpet on the floor to avoid scratching it.
2. Follow the installation instructions carefully. Before installation, please ensure that all accessories are present. For large items, we advise you to install them with 2 or more people for faster and safer installation.
3. Do not fully tighten the screws during initial assembly. Fully tighten the screws only once all pieces are correctly assembled. Do not use power tools.
4. Do not stand, climb, or swing on the product.

### example



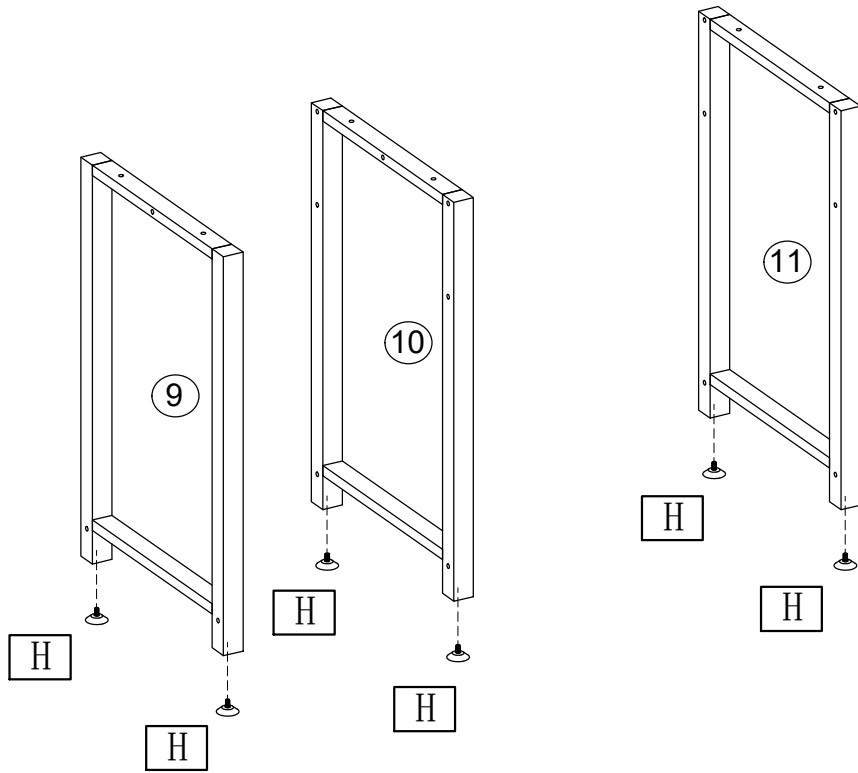
1

H

M8



6PCS



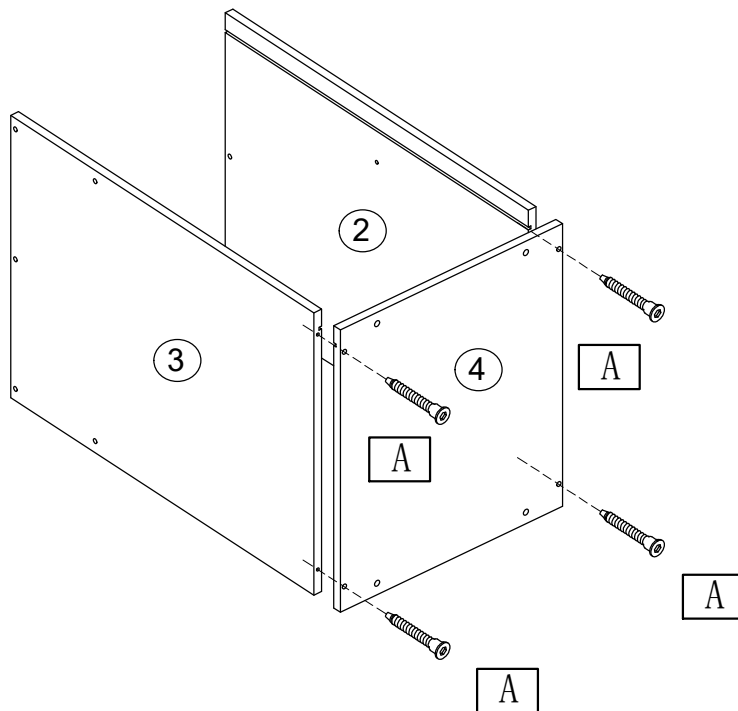
2

A

ST7\*40

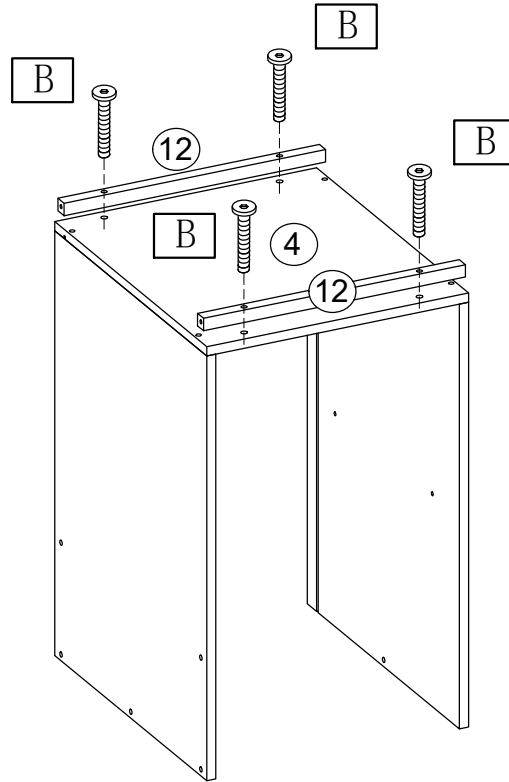


4PCS



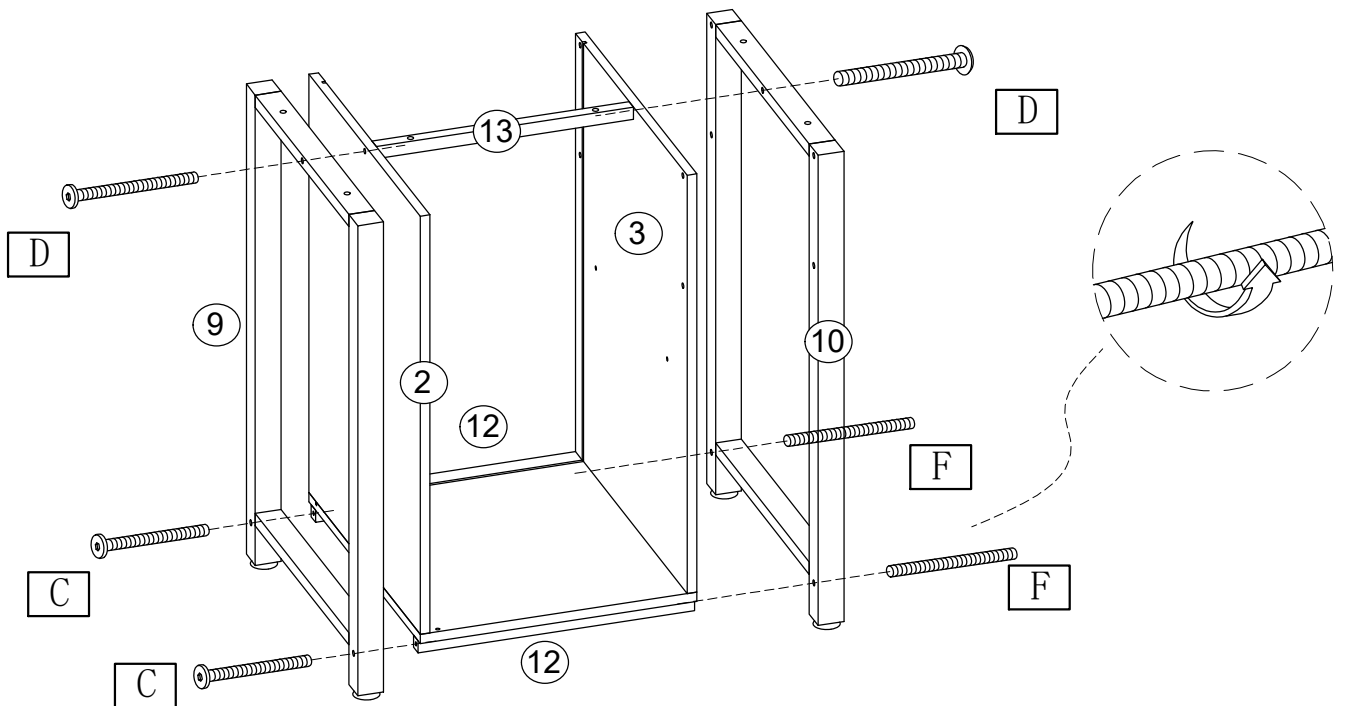
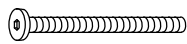
3

**B** M6\*30  
4PCS

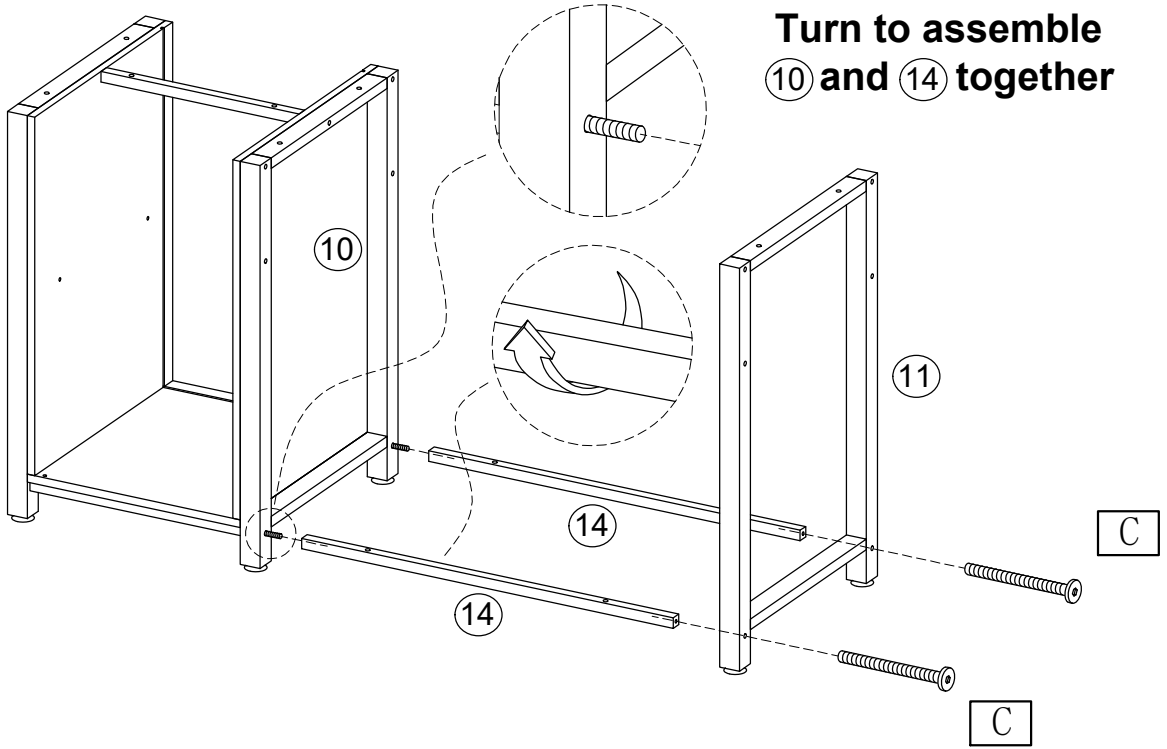
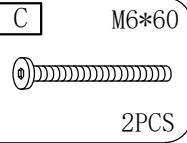


4

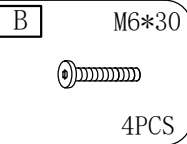
**C** M6\*60    **D** M6\*70    **F** M6\*80  
2PCS        2PCS        2PCS



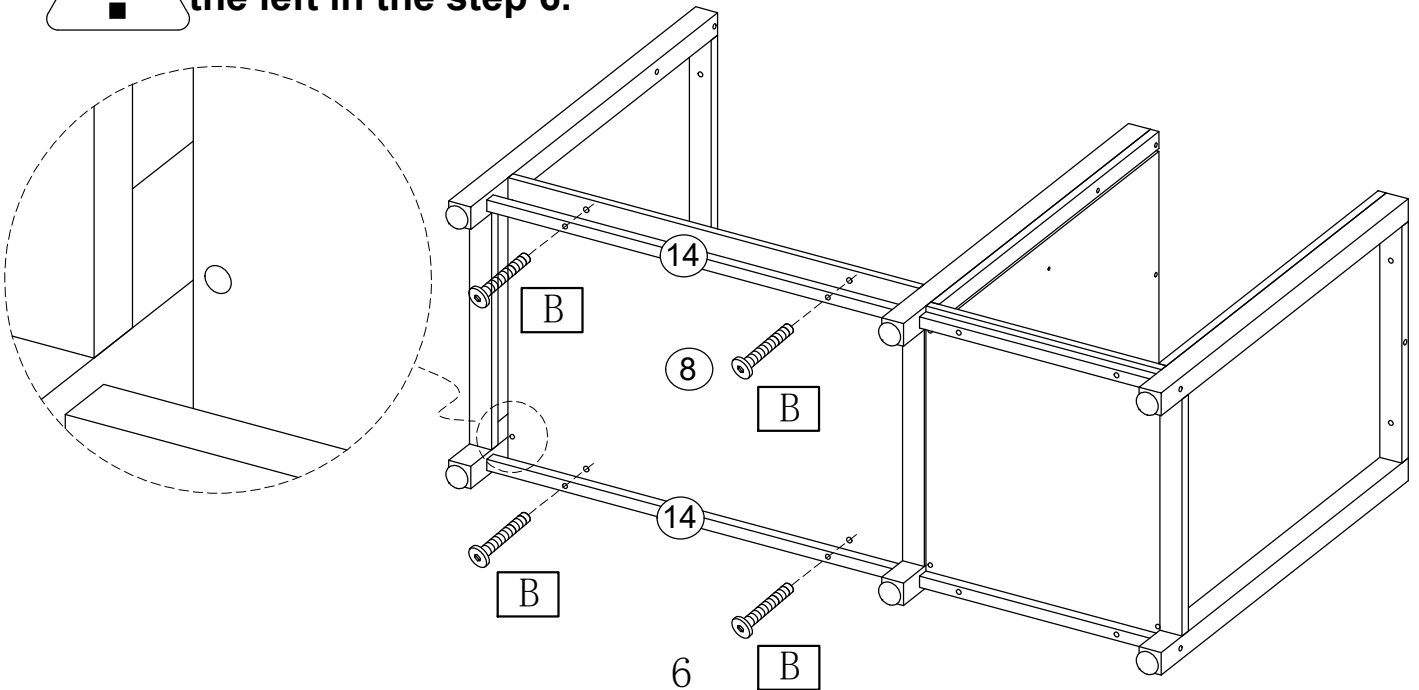
5



6

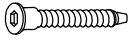


Note that the hole is on  
the left in the step 6.

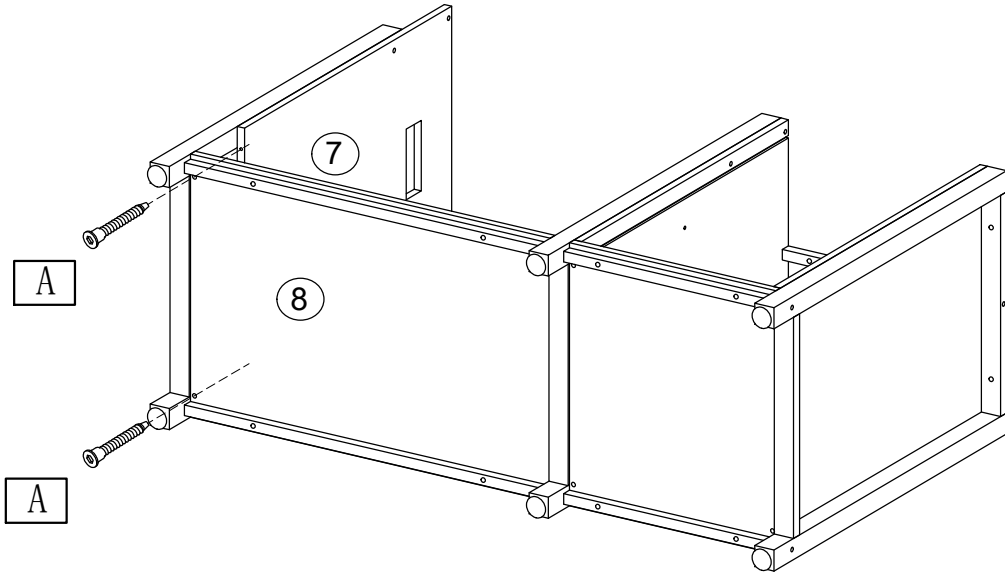


7

A ST7\*40  
2PCS

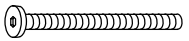


2PCS

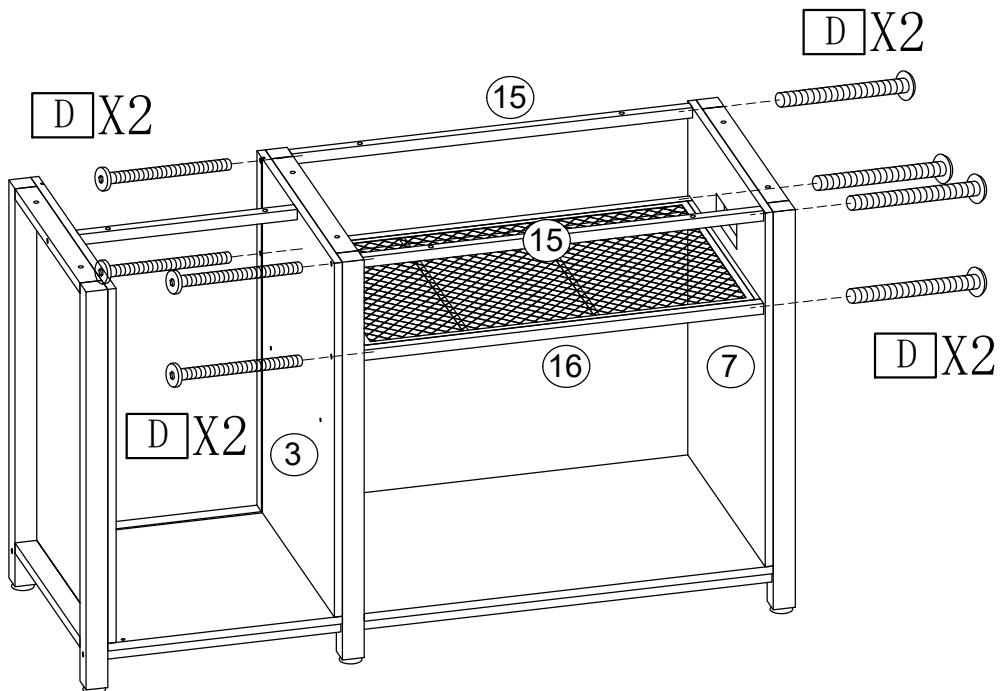


8

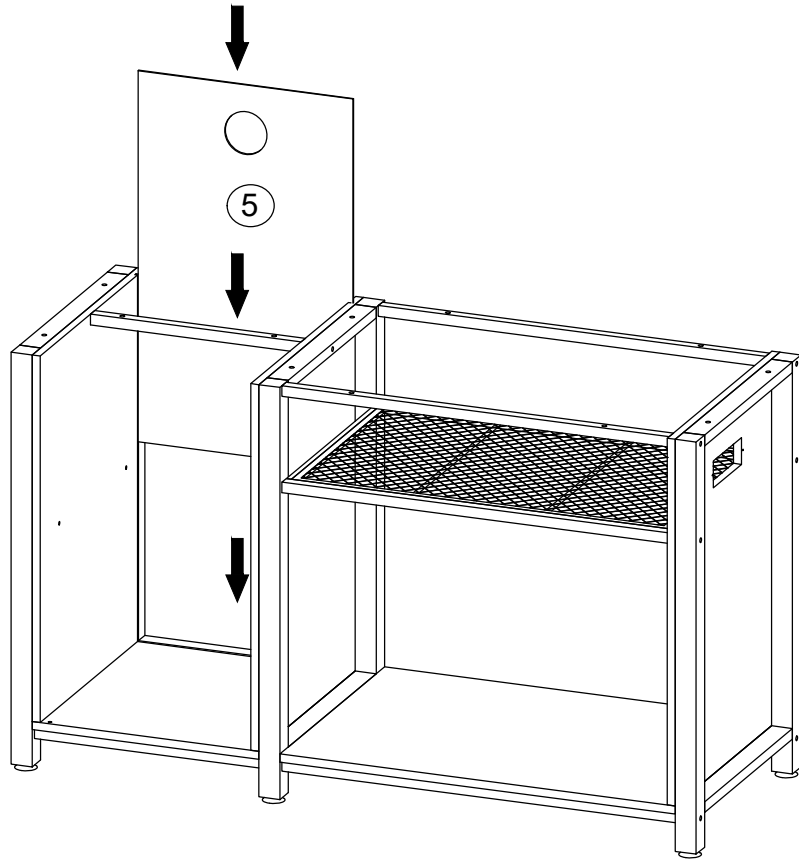
D M6\*70  
8PCS



8PCS

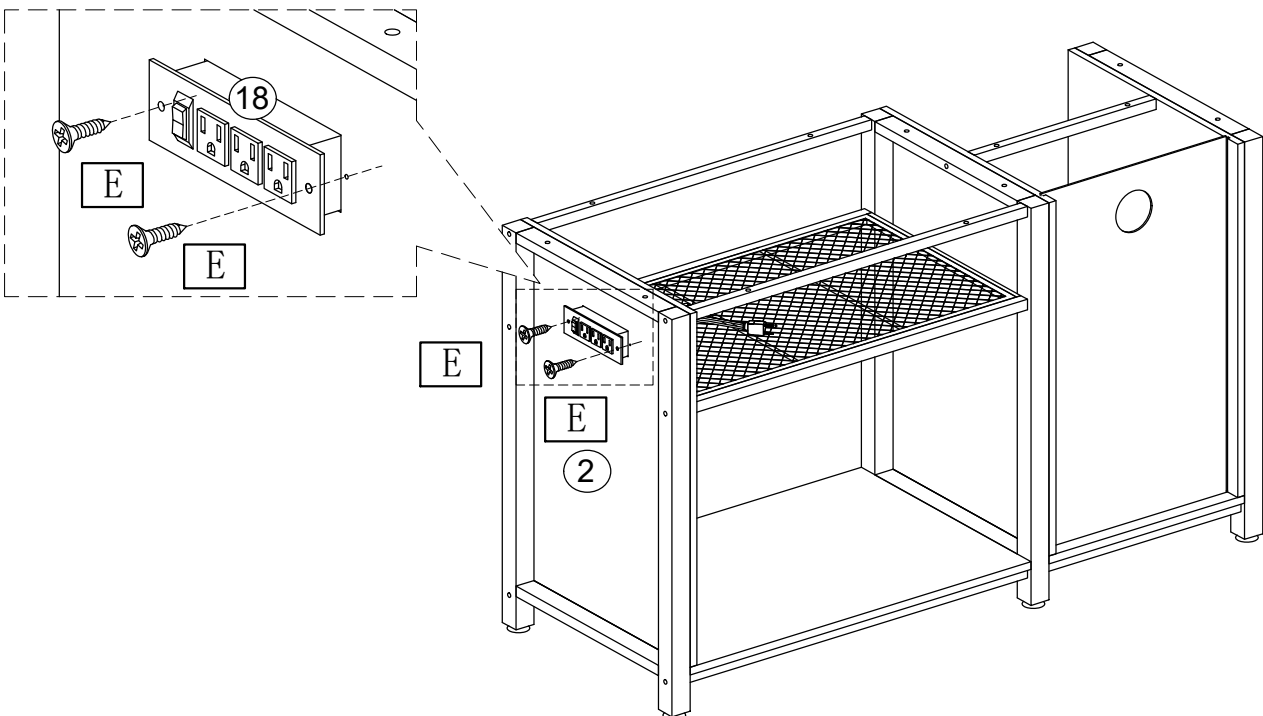


9




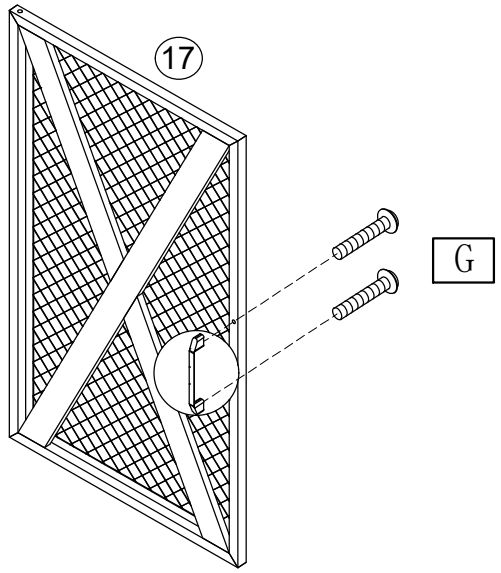
10

E ST3\*14  
2PCS





11

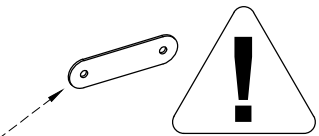
G	M4*18
	
1PC	



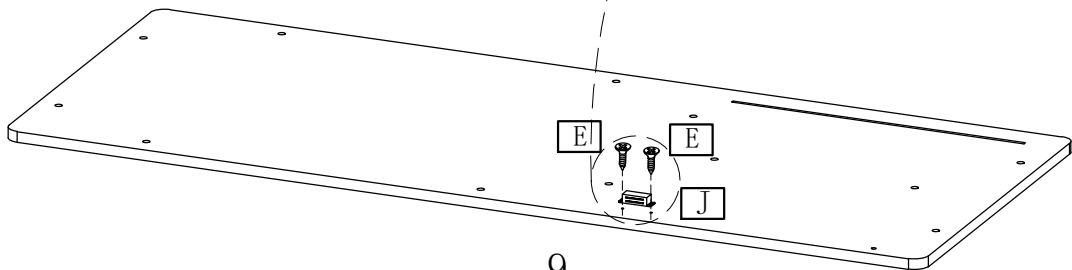
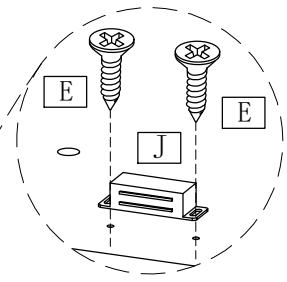
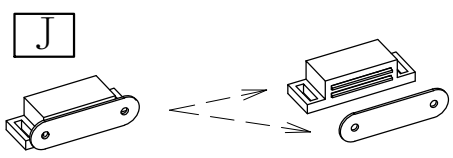
12

E	ST3*14	J
		
2PCS		1PC

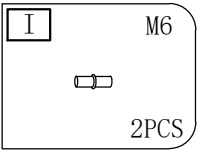
Note that this accessory does not need to be installed



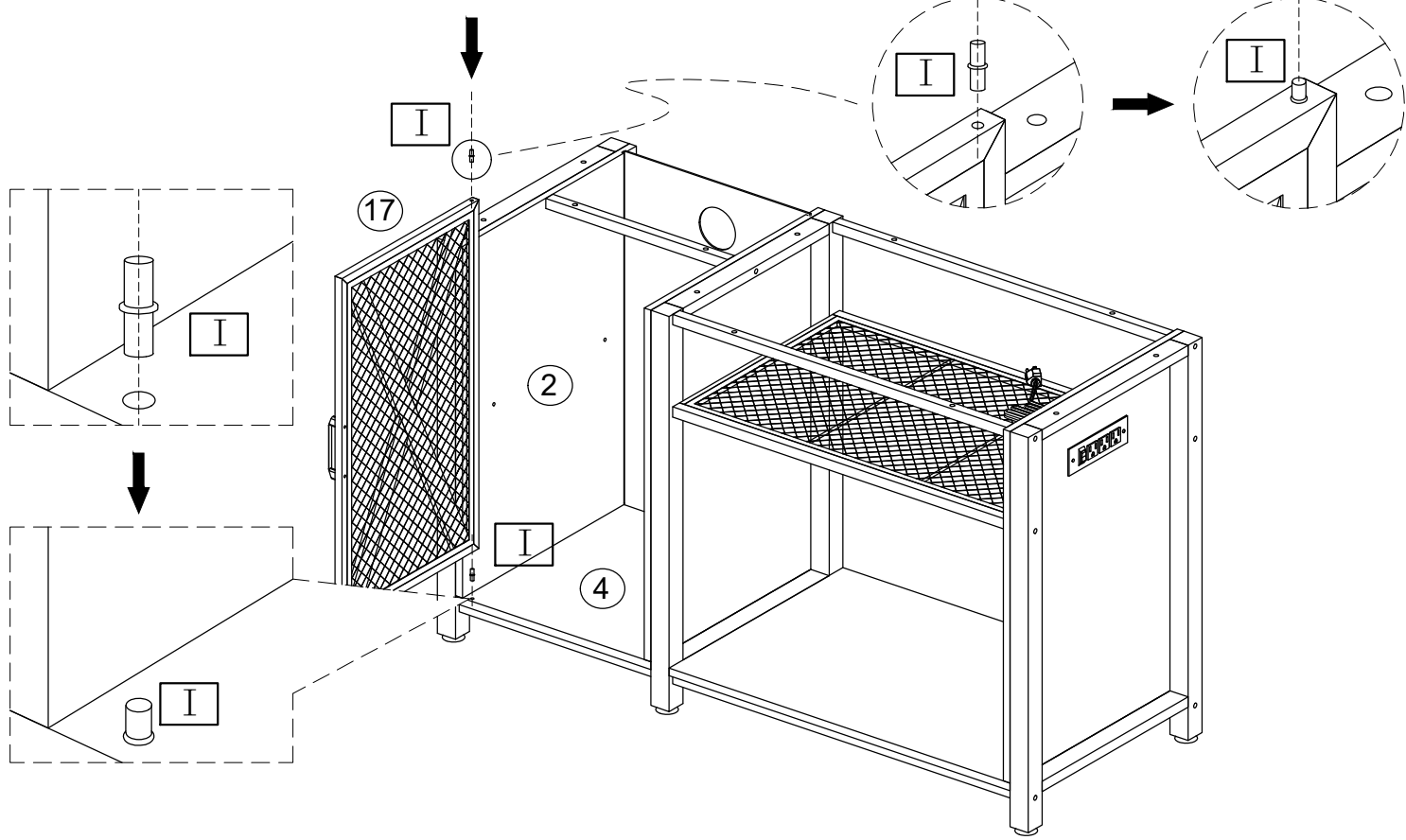
We need to divide accessory J into two.



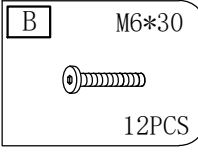
13



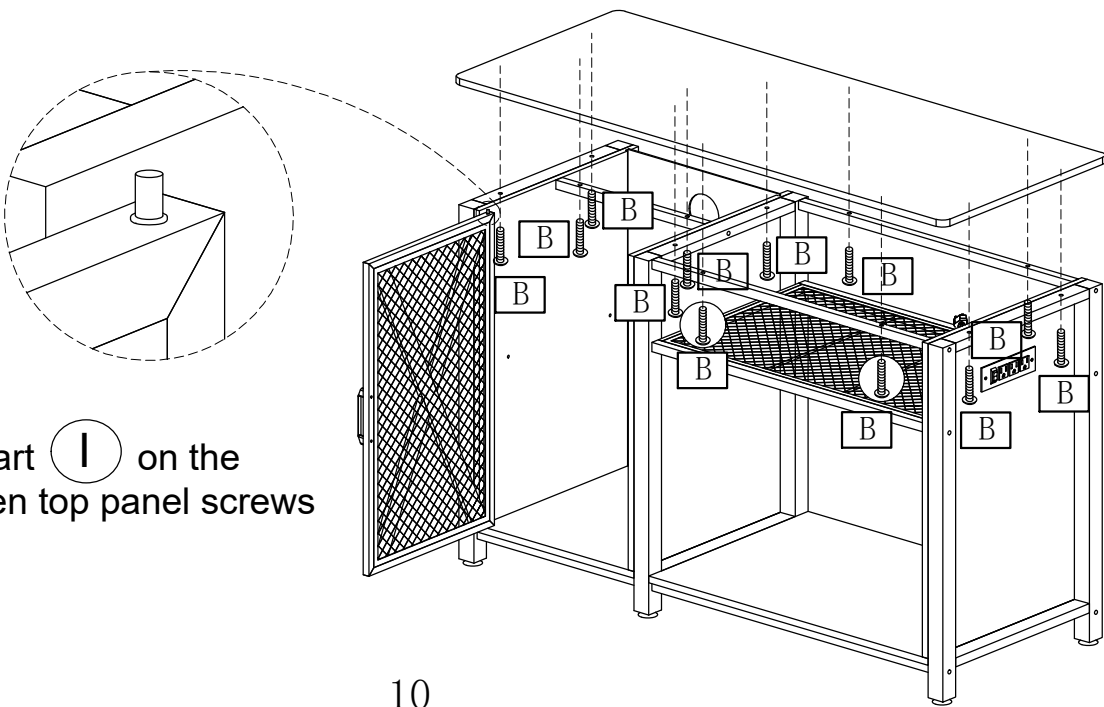
After installing part **I** as shown in the diagram, align the cabinet door.



14

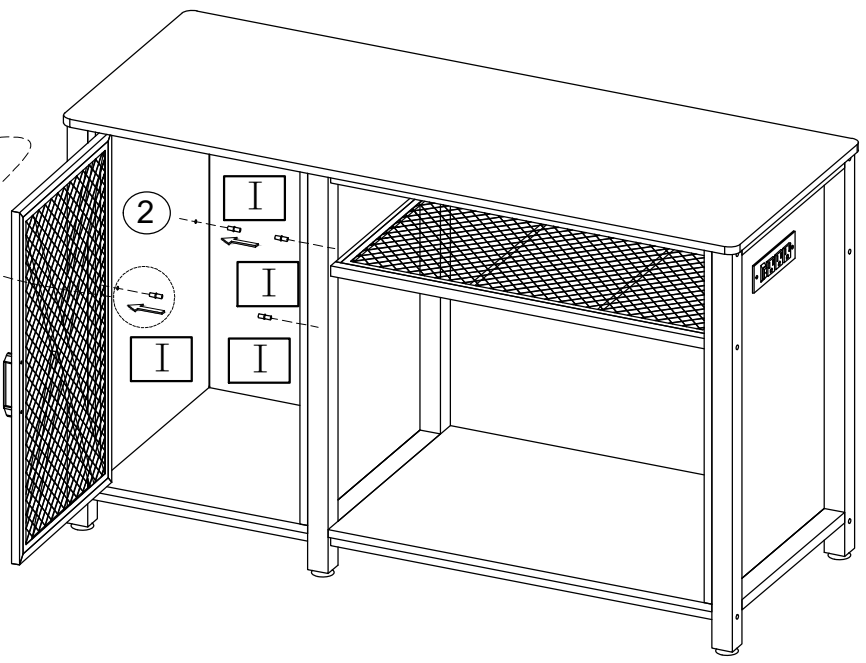
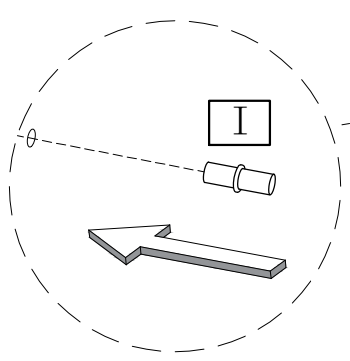
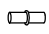


Place the top panel part **I** on the door frame. then tighten top panel screws

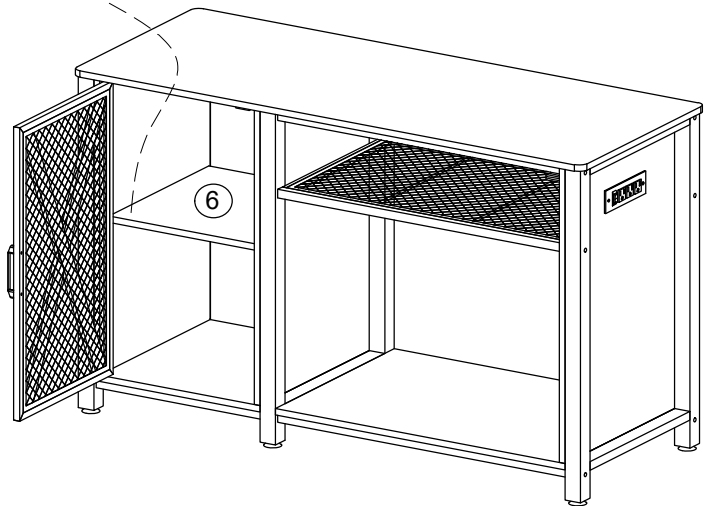
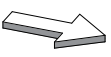
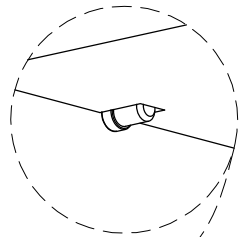
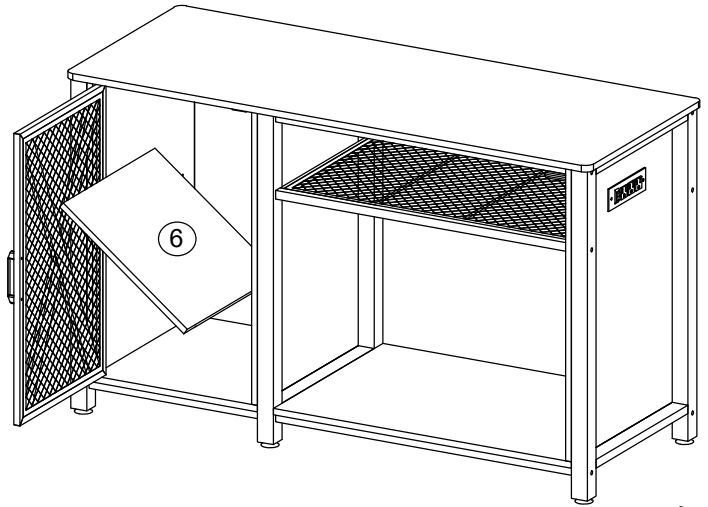


15

I M6  
4PCS

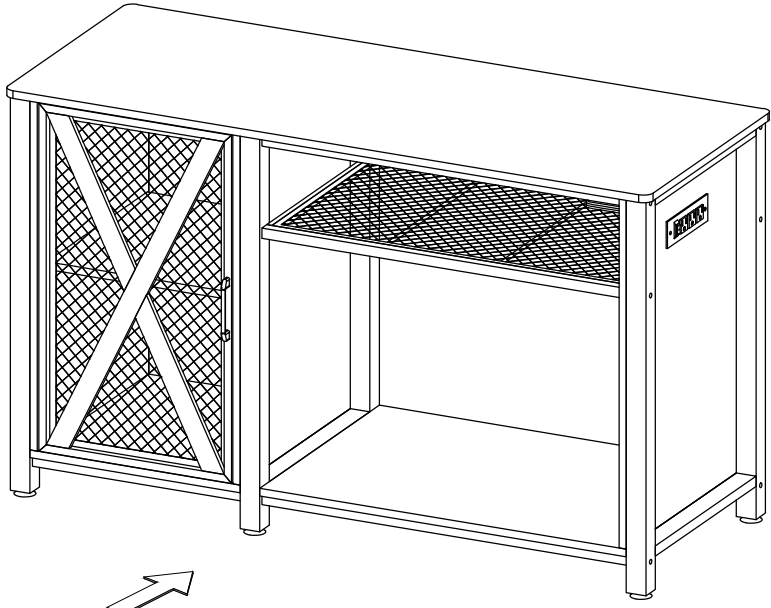
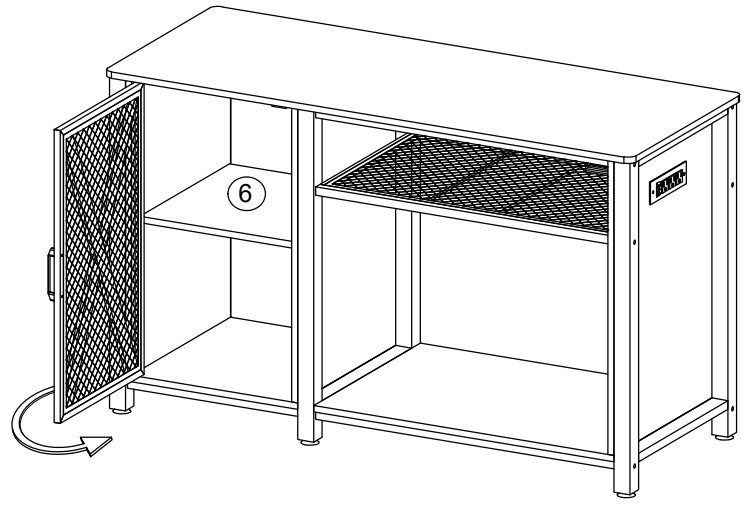


16

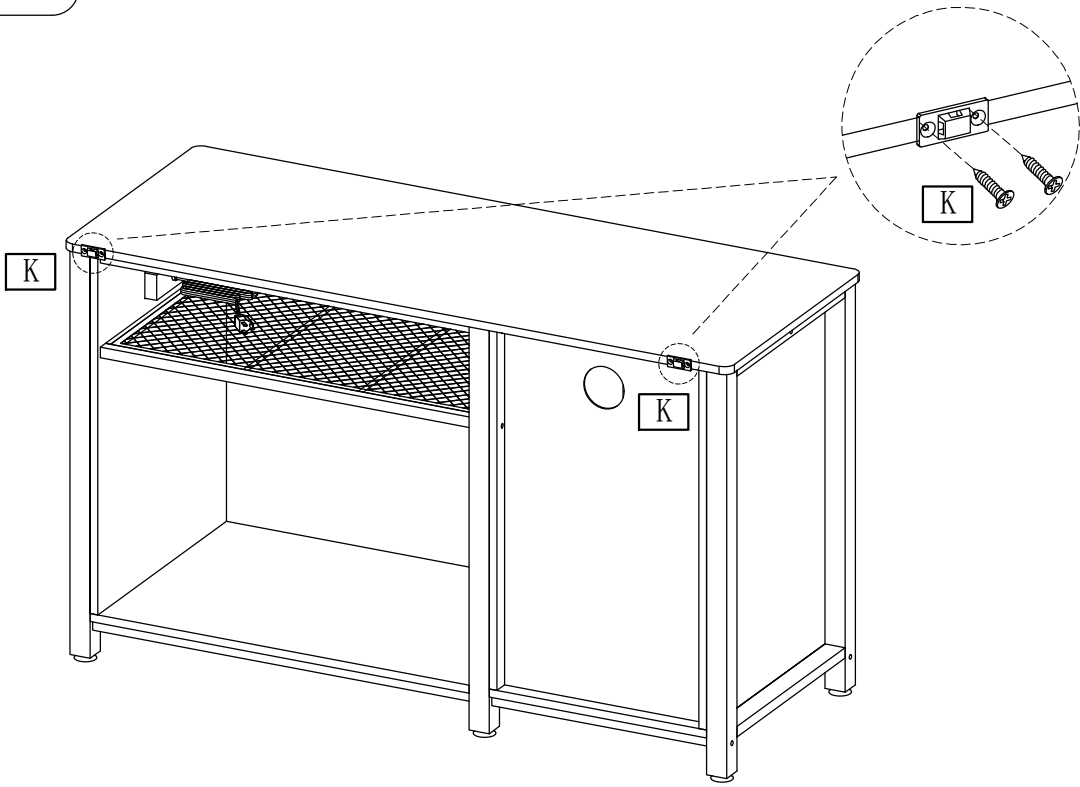
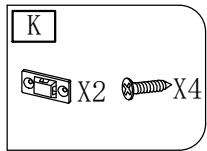


17

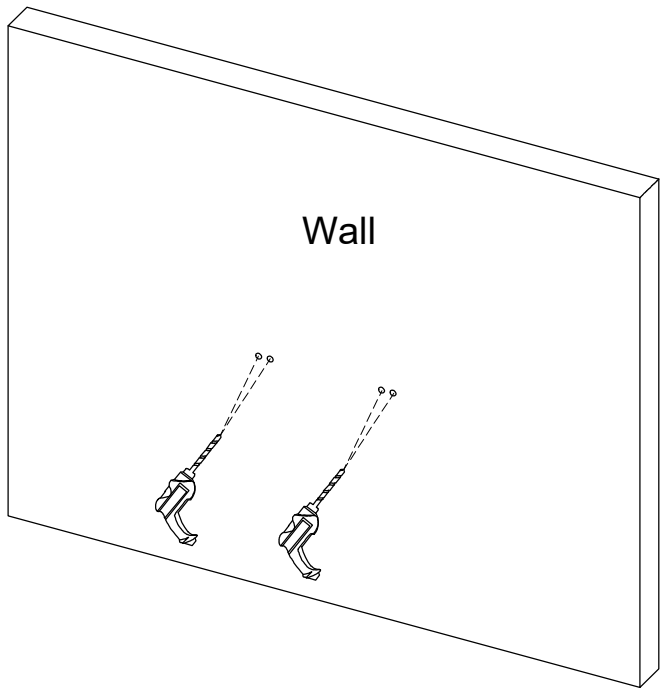
If you want a larger storage space for your cabinet, you can choose to take away the movable shelf ⑥



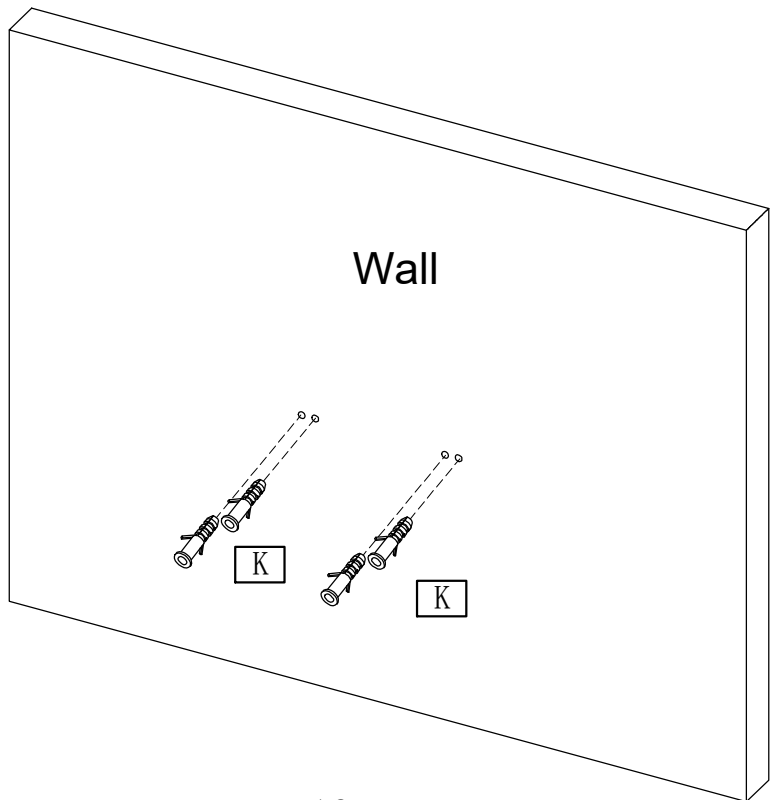
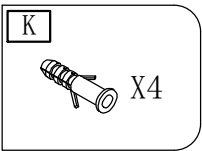
18



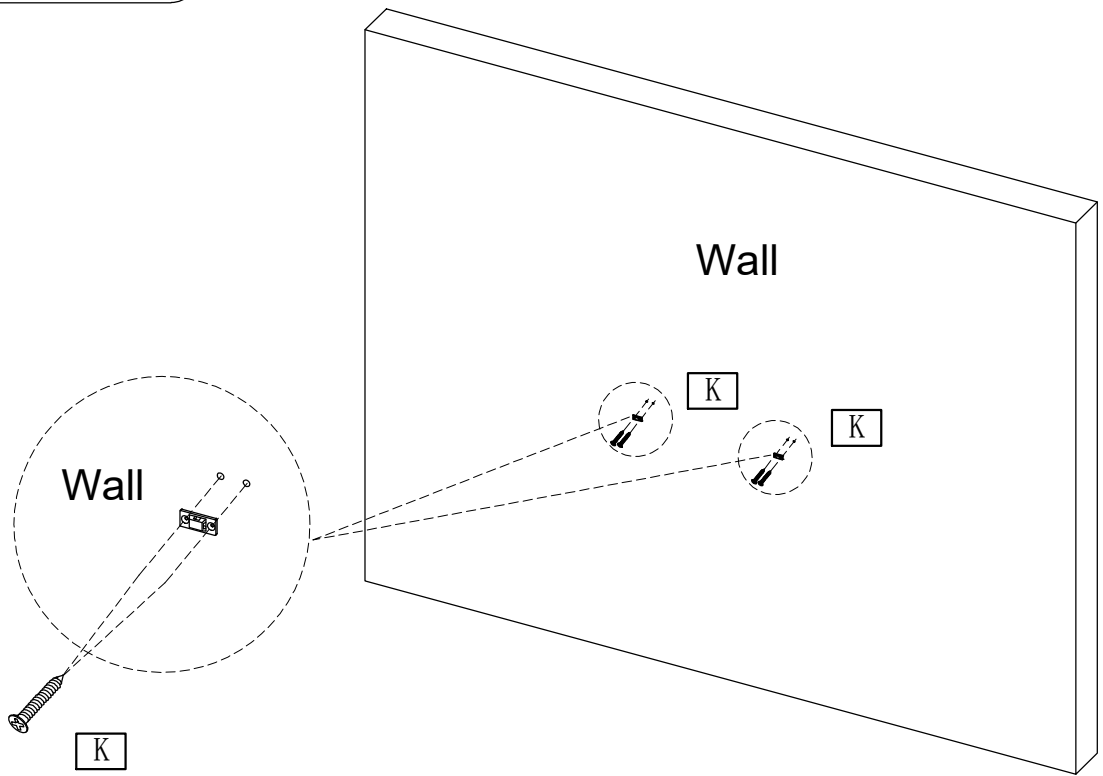
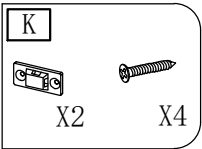
19



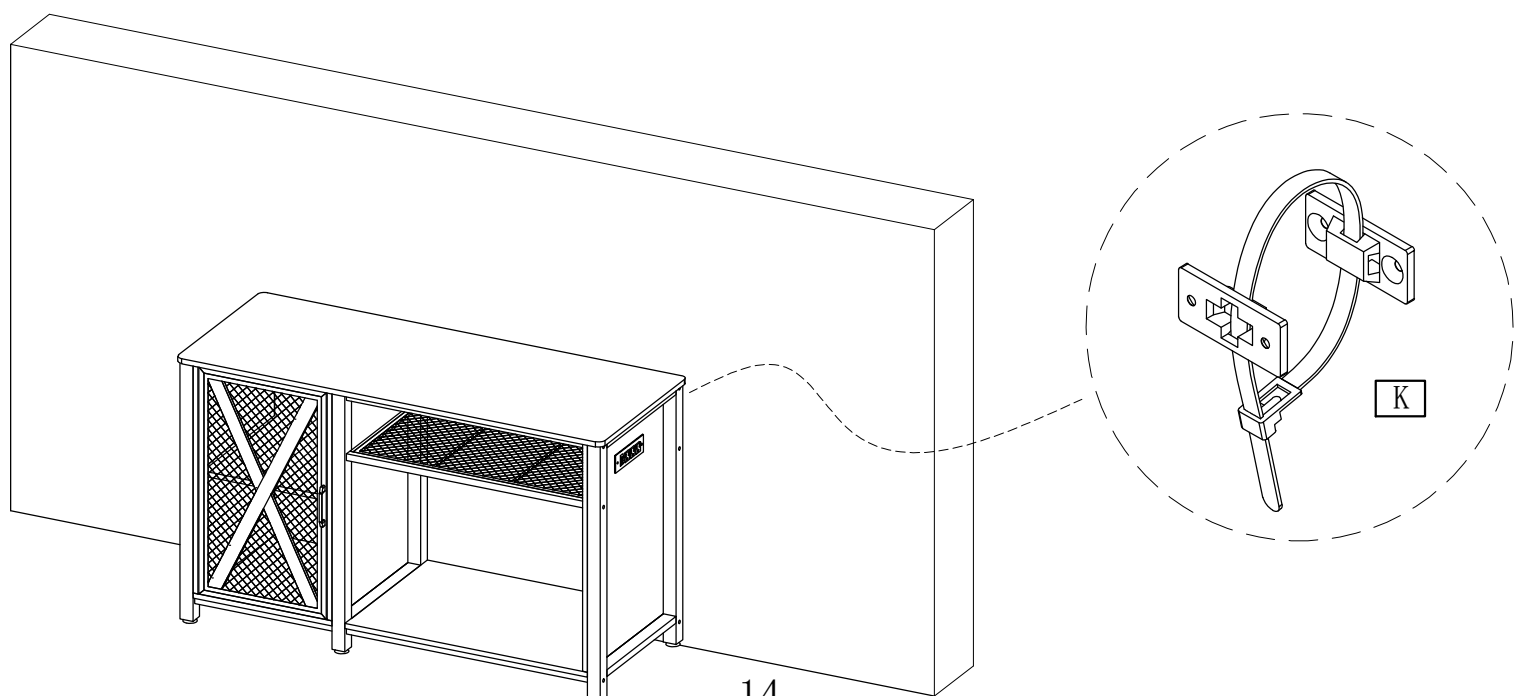
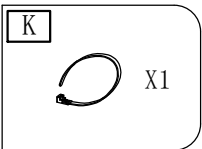
20



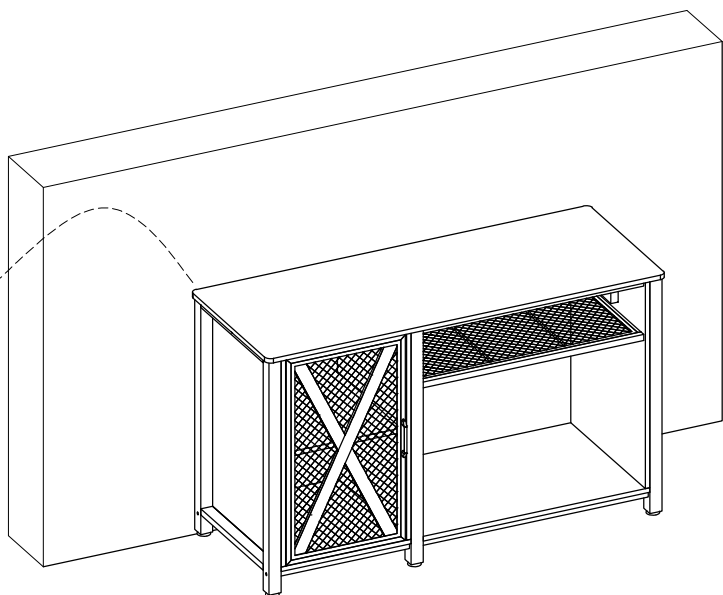
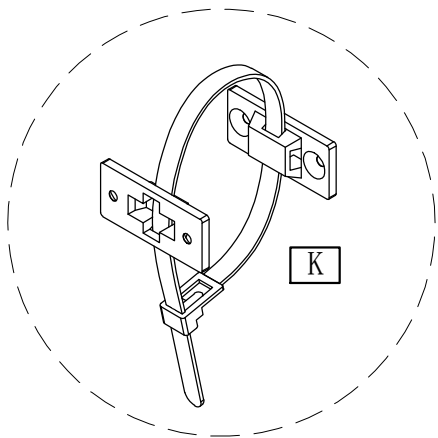
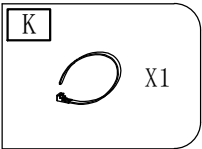
21



22



23



24

Installation completed

