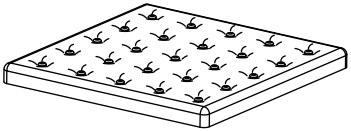
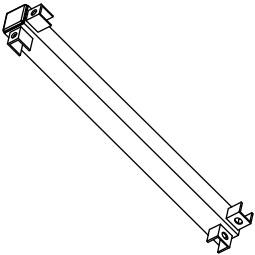
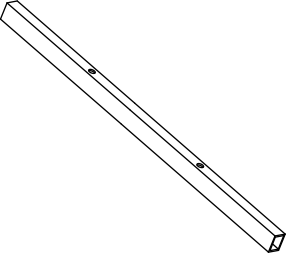
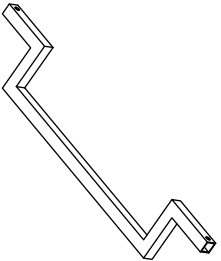
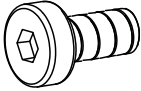
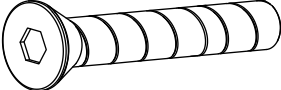
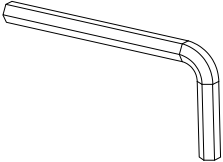
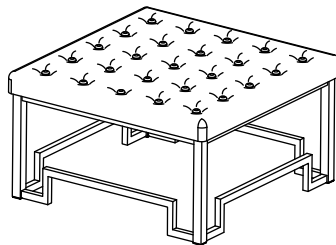


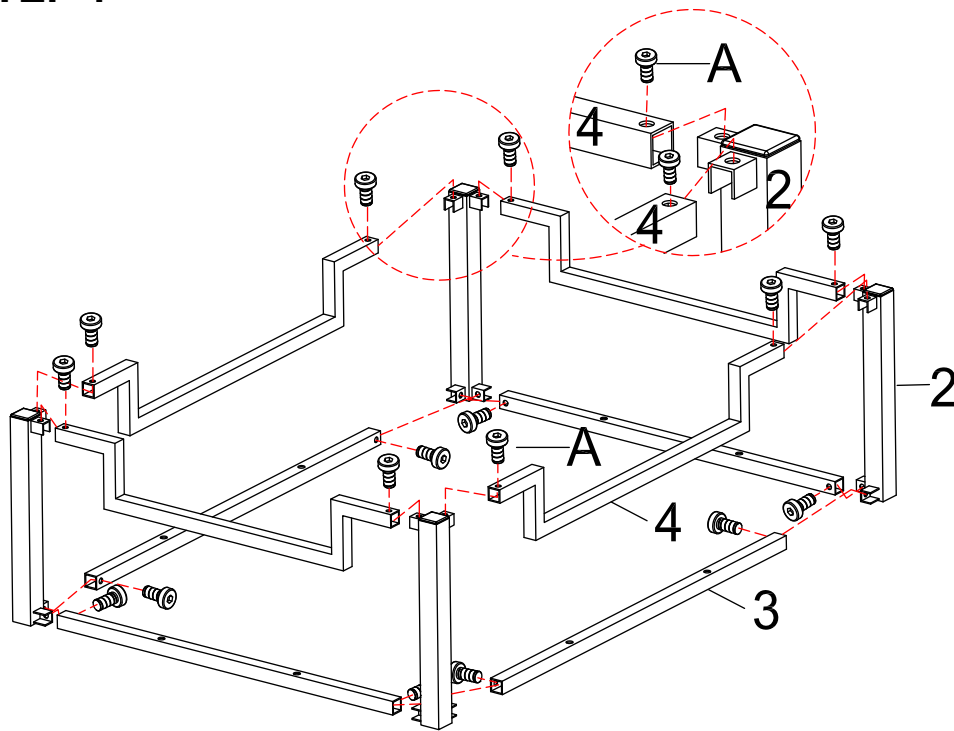
ASSEMBLY INSTRUCTIONS

| 1 | 2 | 3 | 4 |
|--|---|---|---|
|  <p>CUSHION 1PC</p> |  <p>LEG 4PCS</p> |  <p>TOP STRETCHER 4PCS</p> |  <p>BOTTOM STRETCHER 4PCS</p> |
| A | B | C | |
|  <p>BOLT 1/4\"X1/2\" 16PCS</p> |  <p>BOLT 1/4\"X1-3/4\" 8PCS</p> |  <p>ALLEN KEY 1PC</p> | |



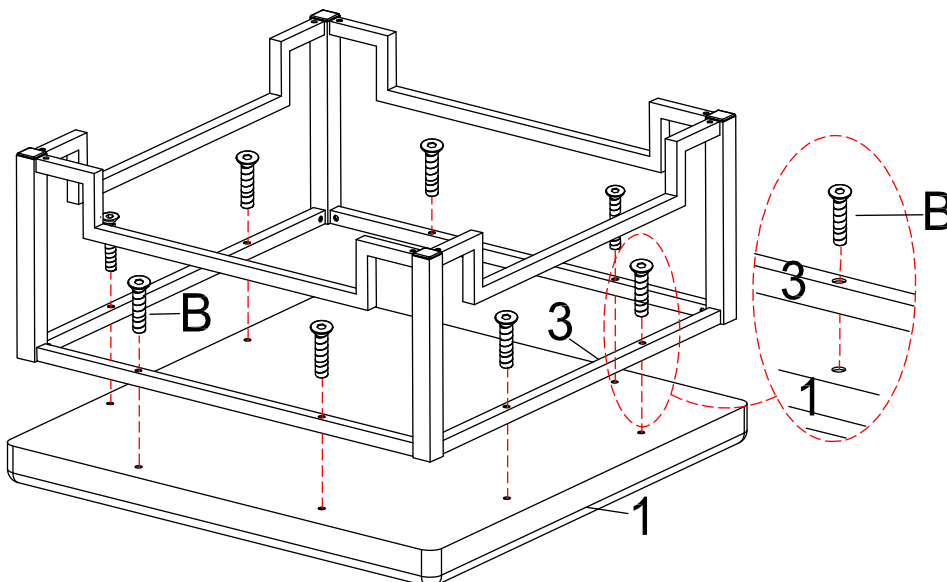
***** Do not tighten screws & bolts until the entire unit is completely assembled. *****

STEP 1



Attach top stretchers (3) and bottom stretchers (4) to legs (2) using bolts (A) as shown.

STEP 2



Attach the assembled unit to cushion (1) using bolts (B) as shown.

Turn assembled unit upright.

Your coffee table is now complete.