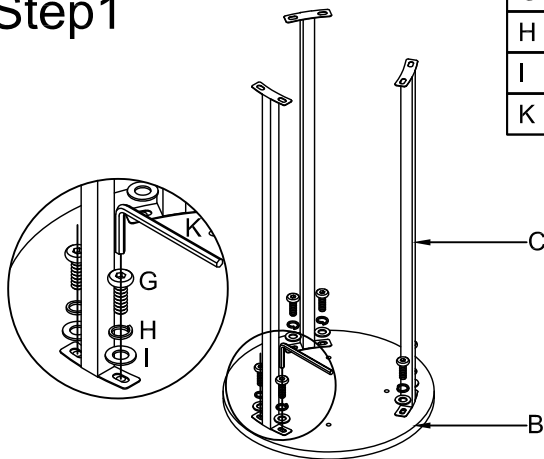


Ax1 	Bx2 	Cx3 	Dx1 	Ex2
Fx8 6x35mm	Gx12 6x16mm	Hx20 	Ix20 	Jx8
Kx1 				
SPARE(Ersatzteile)				
Fx1 6x35mm	Gx1 6x16mm	Hx1 	Ix1 	Jx1

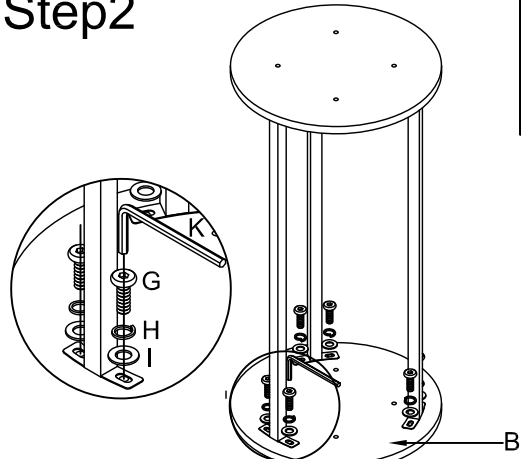
Step1



G		6
H		6
I		6
K		1



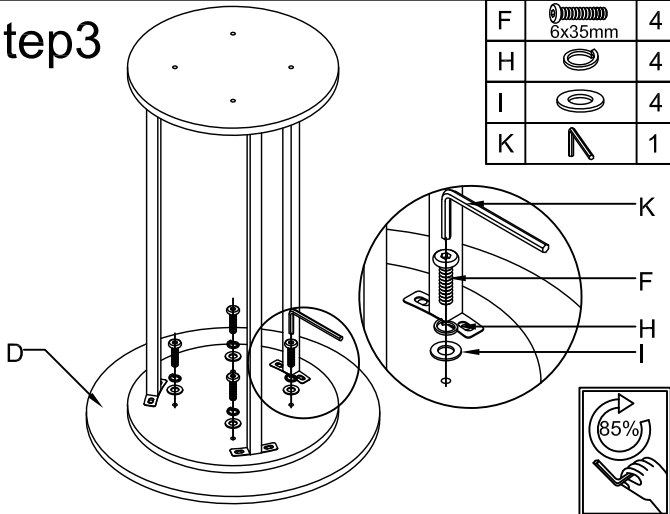
Step2



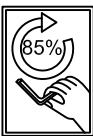
G		6
H		6
I		6
K		1



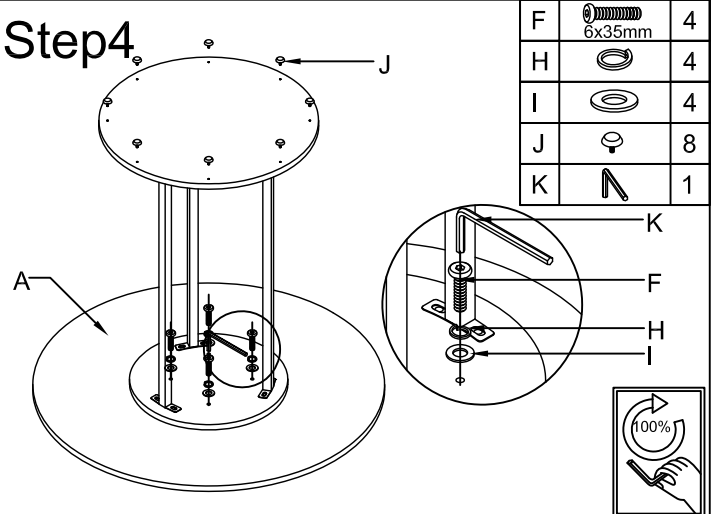
Step3



F		4
H		4
I		4
K		1



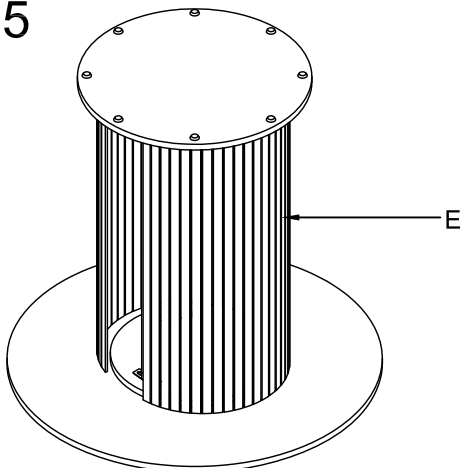
Step4



F		4
H		4
I		4
J		8
K		1



Step5



Step6

