

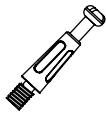


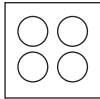
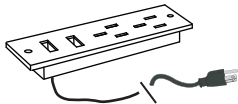

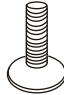
ELECTRIC FLIP TOP END TABLE



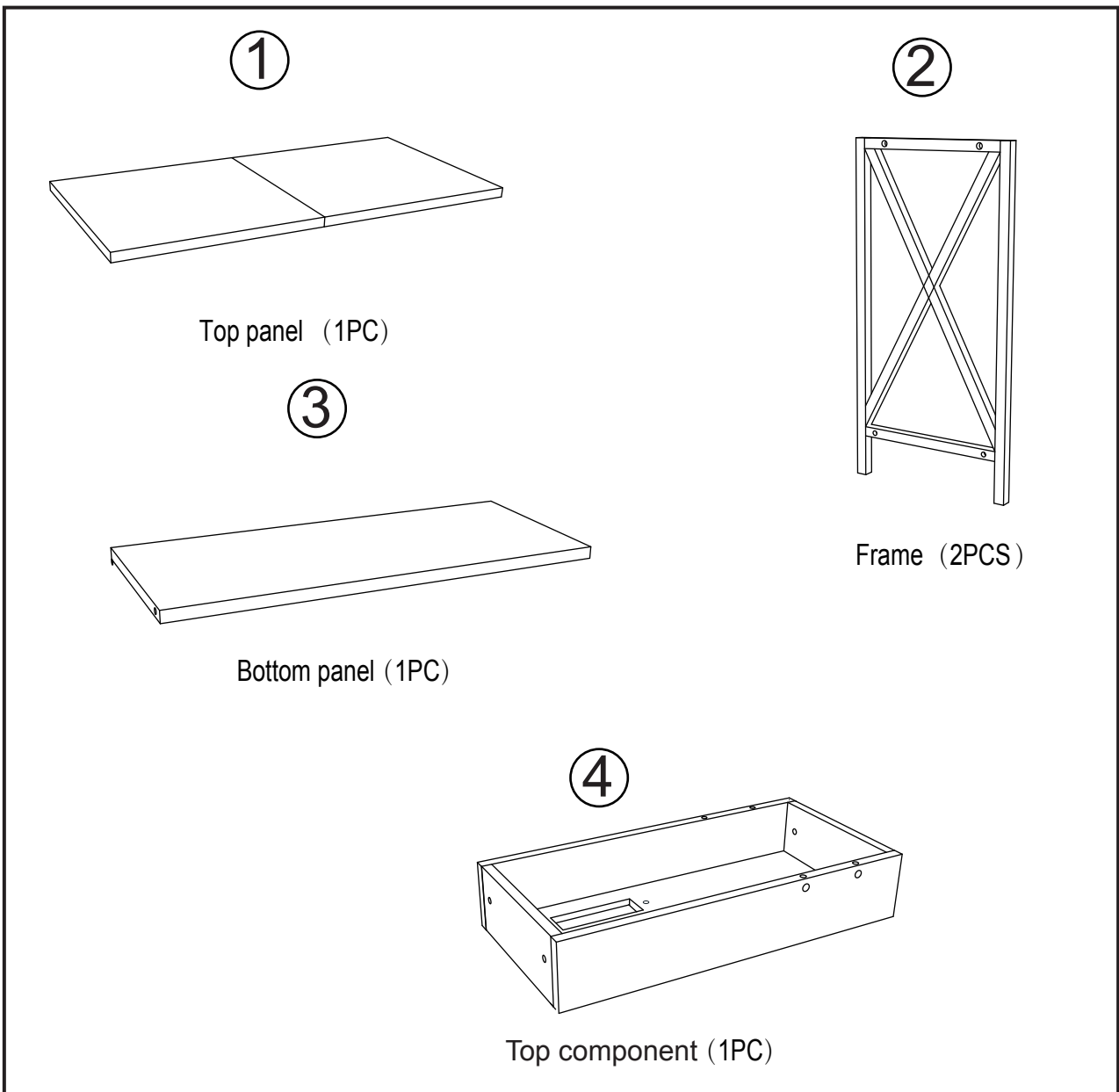
ASSEMBLY INSTRUCTIONS

We have designed our furniture with you , the customer in mind . Our clear , easy to follow , step by step instructions will guide you through the project from start to finish . Feel confident that this will be a fun and rewarding project . The final product will be a quality piece of furniture that will go together smoothly and give years of enjoyment .

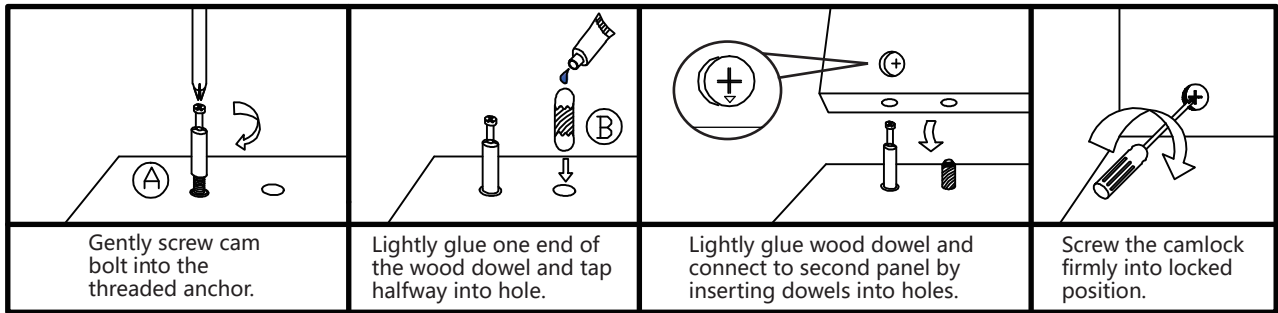
Hardware List

A		B		C	
Cambolt (8pcs)		Camlock (8pcs)		Long Screw (4pcs)	
D		E		F	
sticker (4pcs)		Socket strip (1pc)		SCREW (2pcs)	
				G	
				Foot (4pcs)	

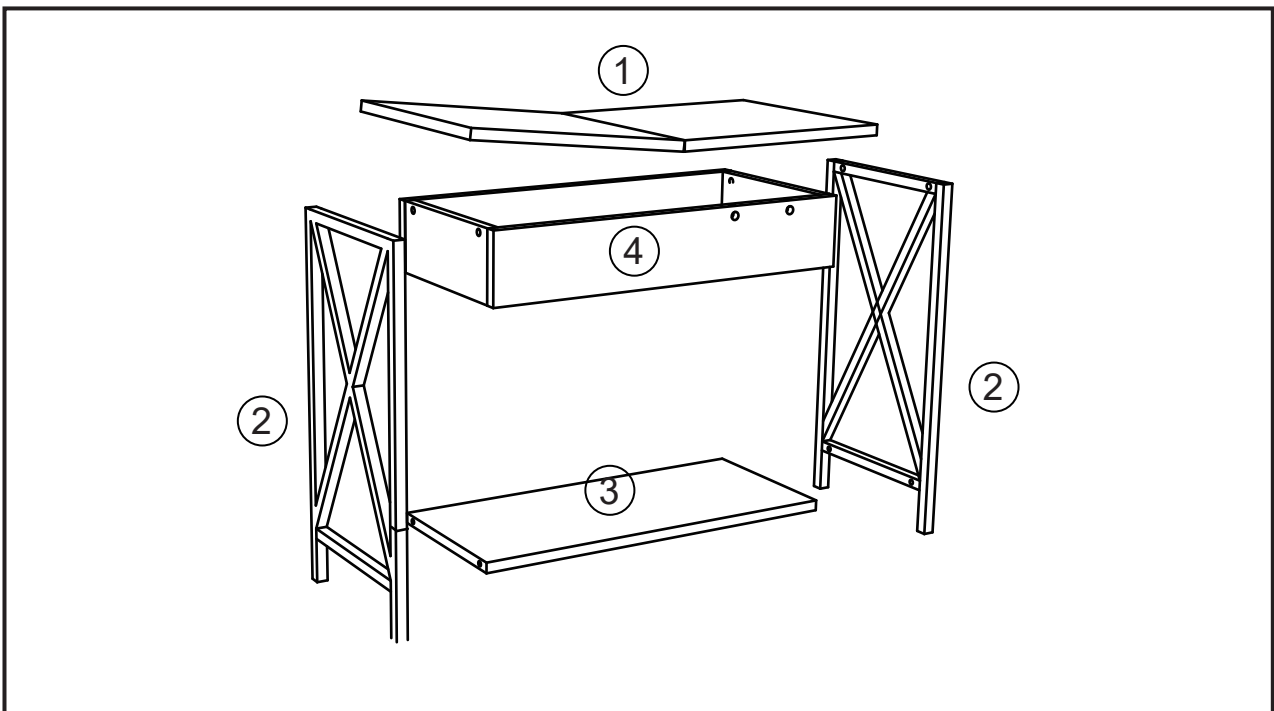
Panel List



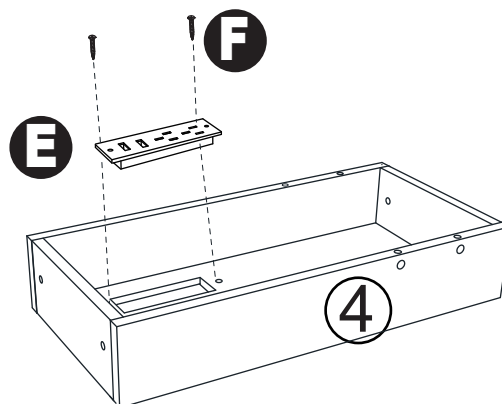
Assembling the unit with camlocks and wood dowels.



Hardware List



Step 1



Attach socket strip to top component using screws **E**.

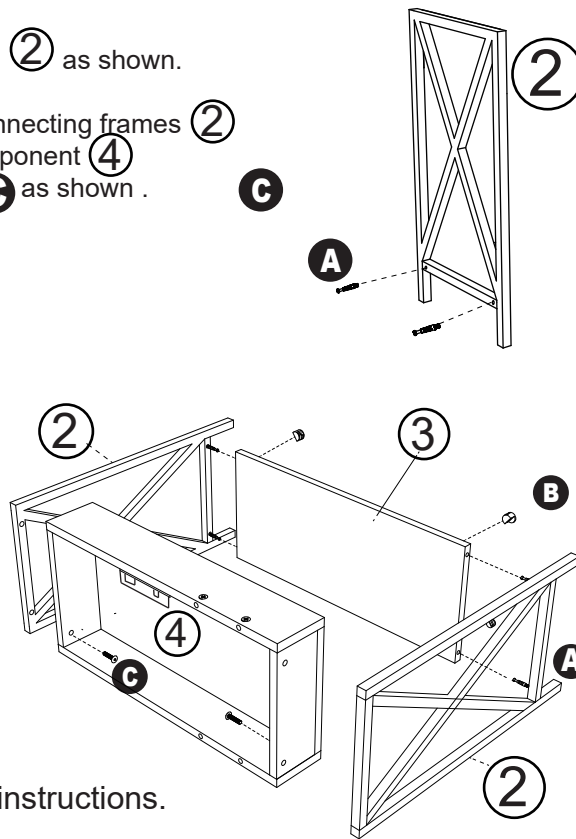
*Do not plug into outlet at this point.

Step 2

1). Screw cambolts **A** into frame **2** as shown.

2). Assemble unit on its side by connecting frames **2** to bottom panel **3** and top component **4** with camlocks **B** and screws **C** as shown .

*Do not overtighten camlocks.



Note:
Refer to page 3 for camlock instructions.

Step 3

1. Screw Cambolts **A** into Top panel **1** as shown.

2. Place Top panel onto unit and tighten Camlock.

3. Place stickers over holes.

4. Screw Feet **G** into unit as shown.

5. Plug into outlet.

6. Finish and enjoy.

