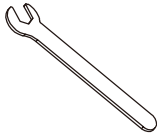








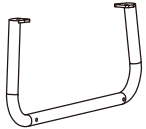
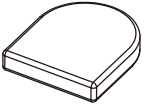


INSTRUCTION MANUAL

Egg Chair











BEFORE ASSEMBLY NOTICE

O 	P 	 2 persons	 40min assembly
---	---	--	---

PART LIST (NOT SHOW ACTUAL SIZE)

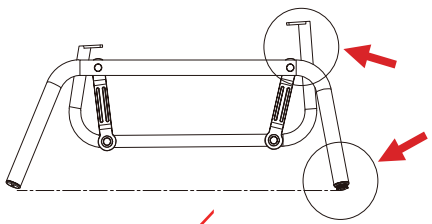
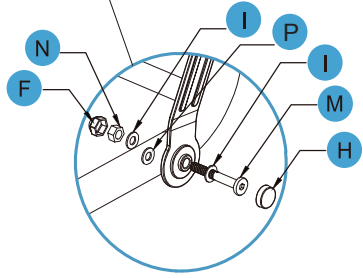
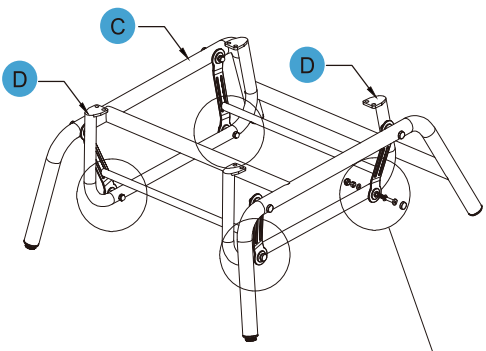
A X1 	B X1 	C X1 	D X2 	E X1 
E1 X1 	E2 X2 			

HARDWARE LIST (NOT SHOW ACTUAL SIZE)

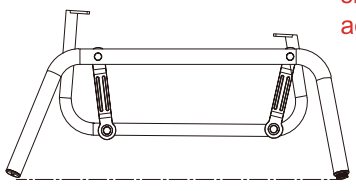
F X8 	G X4  1.5mm	H X8 	I X28 	J X8  M6x15
K X4  M6x23	L X4  M6x30	M X4  M6x55	N X8  M6	P X4  8mm

ASSEMBLY STEPS (NOT SHOW ACTUAL SIZE)

STEP 1



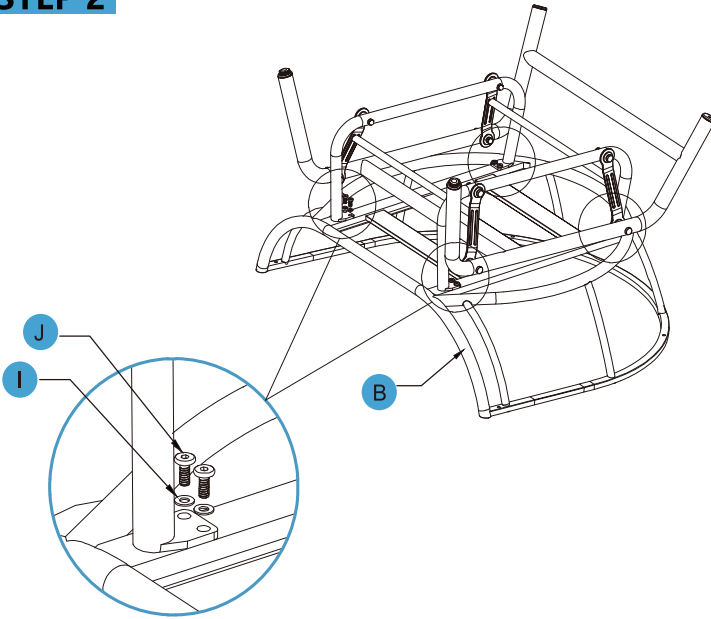
Note: The taller side of accessory D is in the same direction as the side of accessory C with the adjustment knob.



C	X1	
D	X2	
F	X4	
H	X4	
I	X8	
M	X4	
N	X4	
P	X4	

ASSEMBLY STEPS (NOT SHOW ACTUAL SIZE)

STEP 2



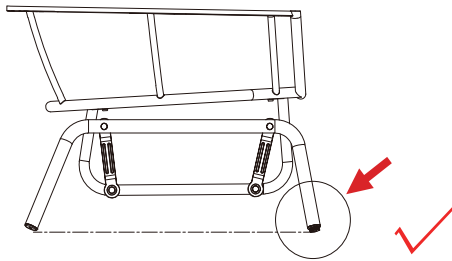
B X1



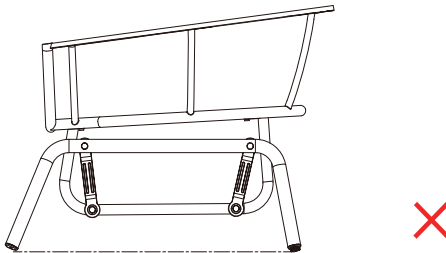
J X8



I X8

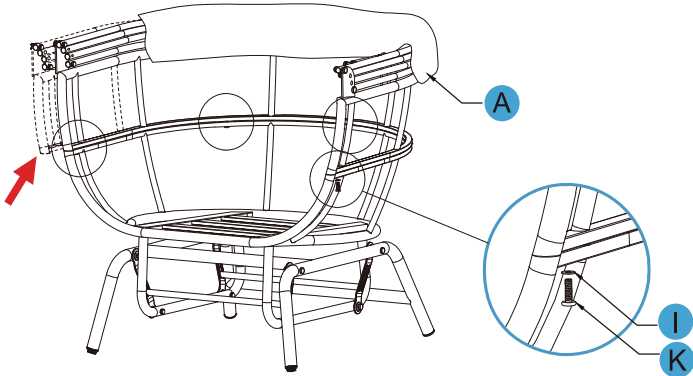


Note: Adjustment knob is front of seat.



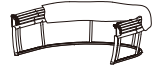
ASSEMBLY STEPS (NOT SHOW ACTUAL SIZE)

STEP 3



Note: Gentle force may be required for the mounting holes of the canopy frame to align with the seat frame.

A X1



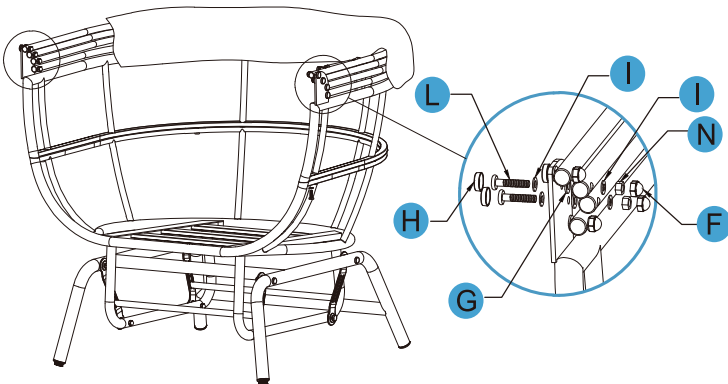
I X4



K X4



STEP 4



F X4



G X4



H X4



I X8



L X4

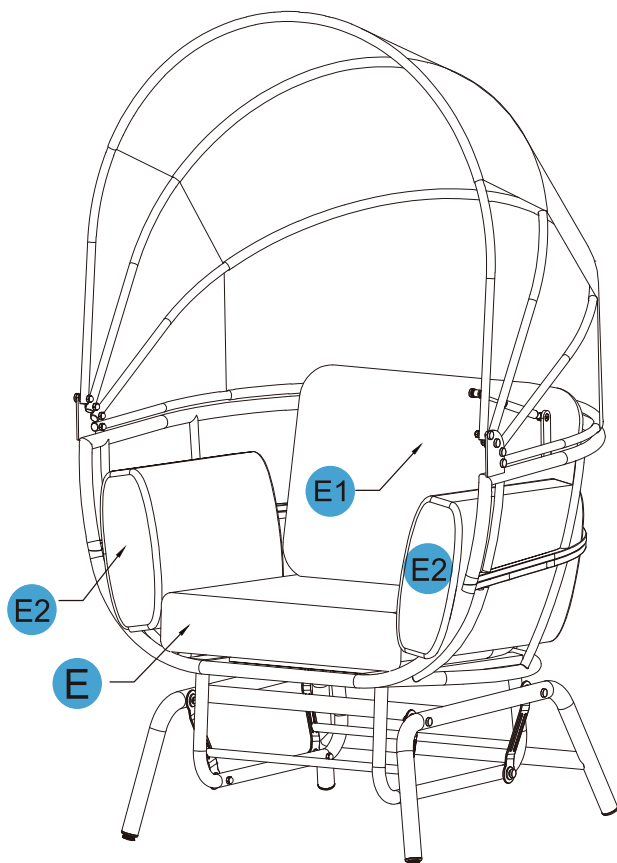


N X4

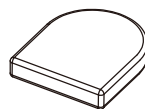


ASSEMBLY STEPS (NOT SHOW ACTUAL SIZE)

STEP 5



E X1



E1 X1



E2 X2

