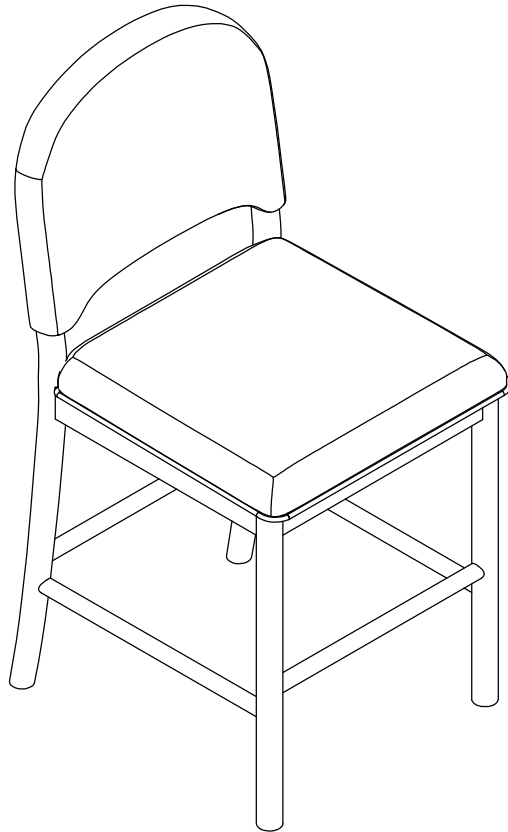


Owner Manual



300LBS



Installation:
15 minutes.



One Person

Thank You For Choosing Our Furniture

▾ If you have any questions or concerns,
don't hesitate to reach out to us. ▾

NOTE:




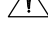
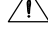
This brochure contains
IMPORTANT safety info.
Please read and keep it
for future reference.

MAINTENANCE AND WARNINGS



Before You Start

Please follow the steps below:

-  Check the packaging for any damage, deformation, or water stains. If there is significant damage, please contact us promptly.
-  Unpack the box and compare the contents with the parts list and hardware list to ensure all components and accessories are present and complete.
-  Please read the installation instructions carefully to understand the installation steps and precautions to ensure proper installation.
-  Clean the installation area in advance and ensure the ground is level and there is enough space to avoid damaging the furniture or making installation difficult.
-  Lay a protective mat on the ground to prevent scratching the floor during installation.

After-Sales Service

- If you encounter any issues or need technical support during use, please contact our after-sales team. We offer long-term maintenance and warranty services.



Precautions

- ⚠ This product is for indoor use only. Do not expose it to outdoor elements or high-humidity environments.
- ⚠ Keep the product away from high heat or open flames to prevent fire hazards.
- ⚠ Do not allow children to climb on the product, as this may cause tipping and result in personal injury.



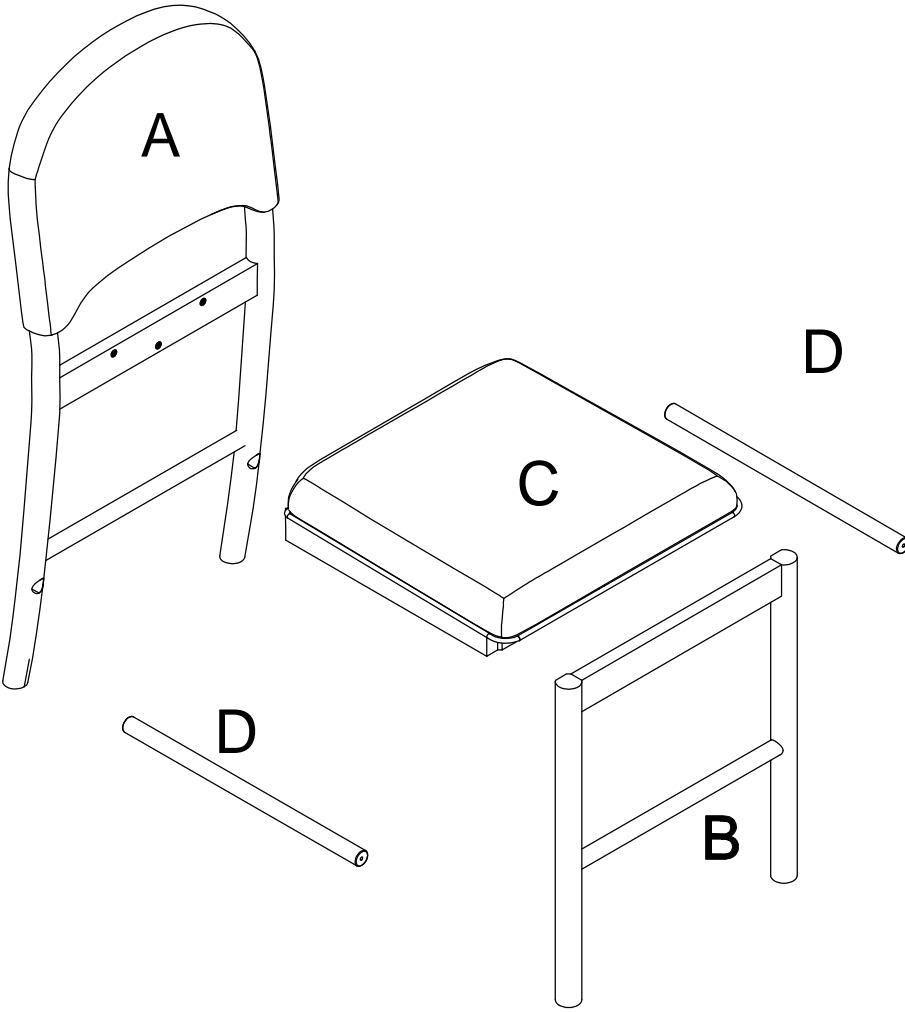
Safety Warnings

- ⚠ If you notice any loose or damaged parts, stop using the product immediately and contact customer service.
- ⚠ Do not attempt to disassemble or replace any components yourself, as this may affect the stability and safety of the product.

Daily Maintenance

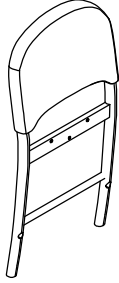
- Regularly clean the surface with a soft cloth to prevent dust accumulation.
- Do not use cleaning agents containing acids, alkalis, or corrosive substances, as they may damage the surface. It is recommended to use neutral cleaning agents or specialized furniture cleaners.
- Avoid exposing furniture to humid environments for extended periods. Use a dehumidifier or desiccant during humid weather.
- Avoid direct contact of furniture with water. If water is accidentally spilled, wipe it dry immediately.
- Avoid placing excessively heavy objects on the furniture: ensure the weight is within a reasonable load-bearing range.
- Avoid using sharp or rough items on the furniture surface to prevent scratches. Handle items gently when moving them.

Explosive view

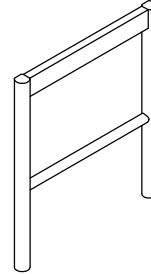


Parts list

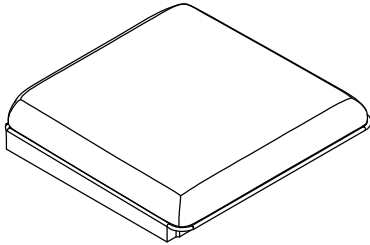
A x1 Back Leg Frame



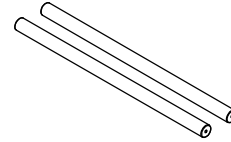
B x1 Front Leg Frame



C x1 Seat Cushion



D x2 Side Stretcher



You can find Side stretchers underneath seat cushion C

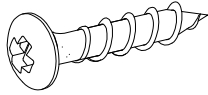
E x1 Hardware Pack



You can find hardware pack underneath seat cushion C

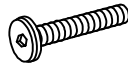
Hardware List

①x4+1 Round head screw



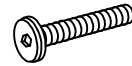
Ø3.5 x 1-7/8"

②x6+1 Bold



Ø5/16 x 1-1/2"

③x8+1 Bold



Ø5/16 x 3-1/4"

④x14+2 Spring washer



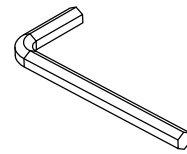
Ø5/16

⑤x14+2 Flat washer

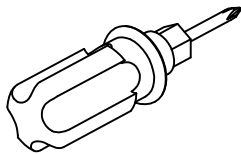


Ø5/16

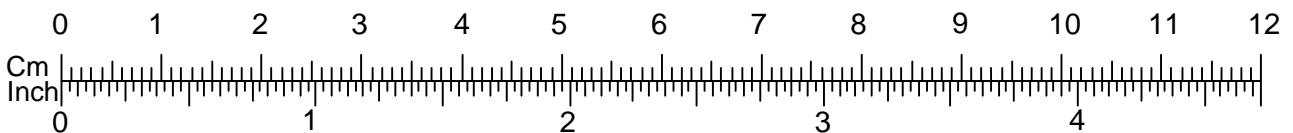
⑥x1 Allen key



⑦x1 Screwdriver

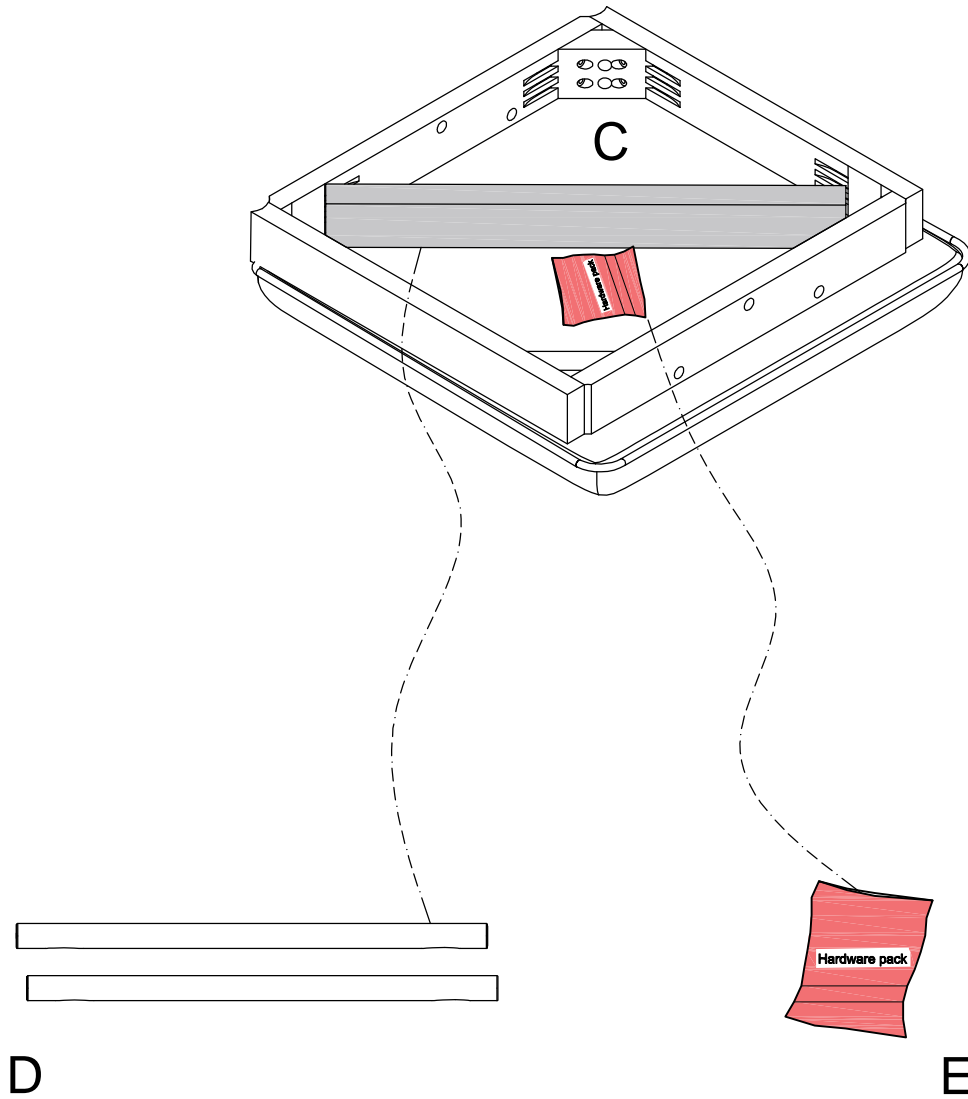


Provided by the customer



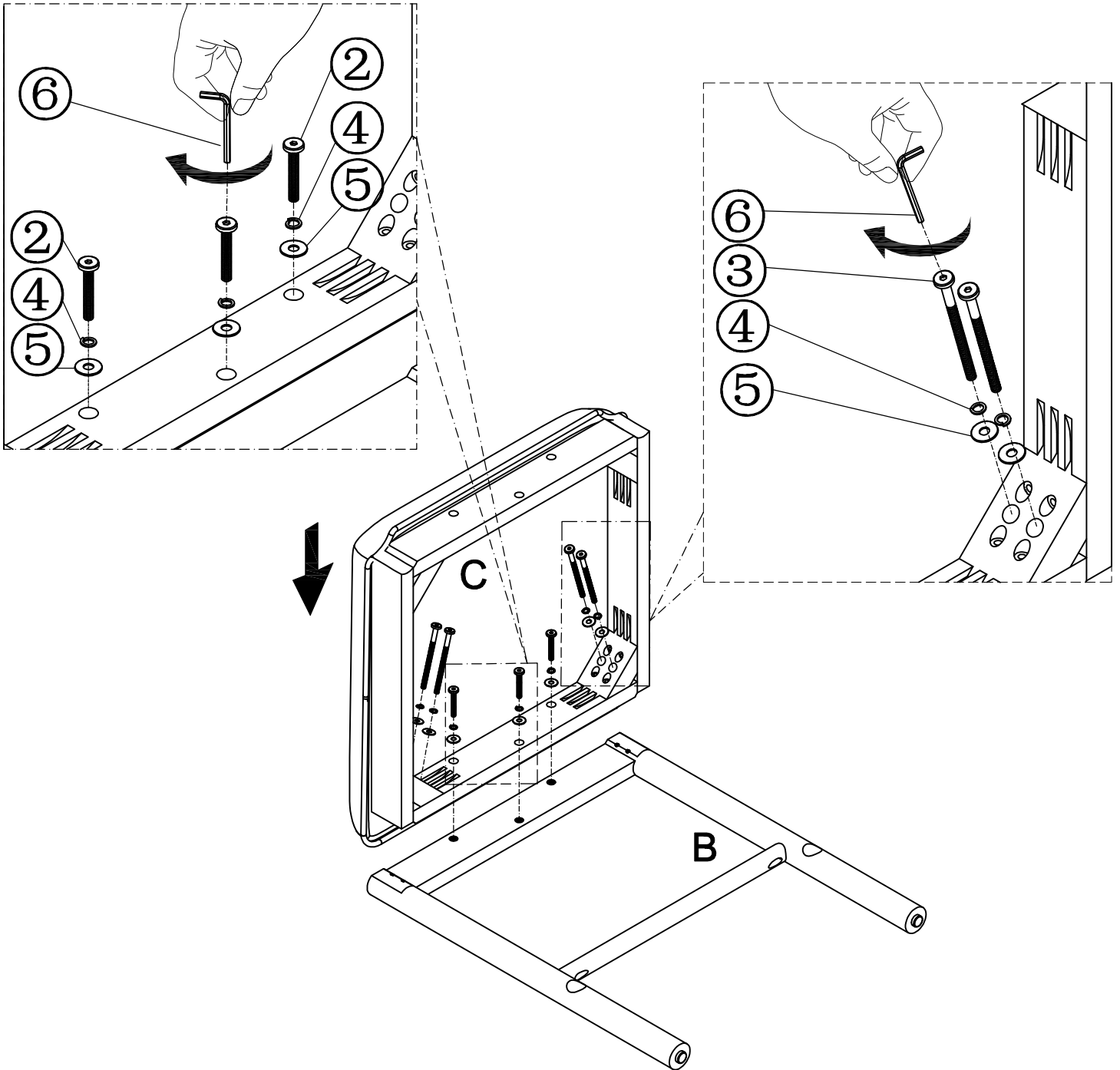
Step 1





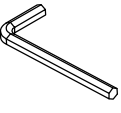
Open the box and find the hardware pack E and stretchers D underneath seat cushion C as show below



Step 2

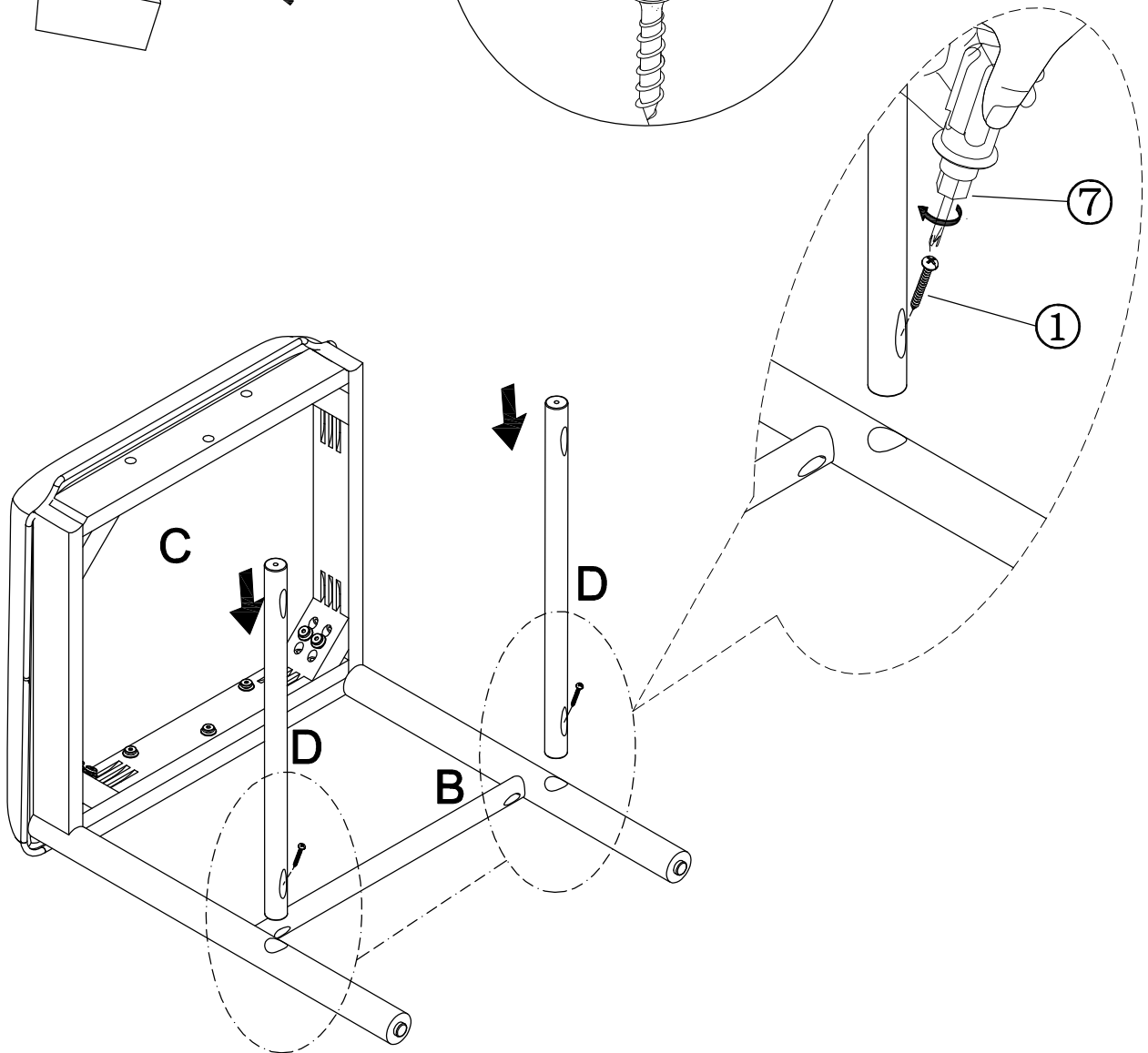
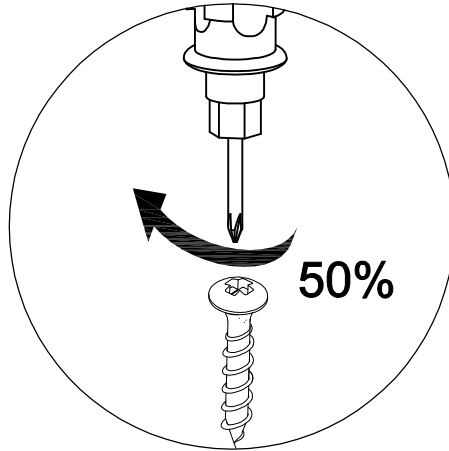
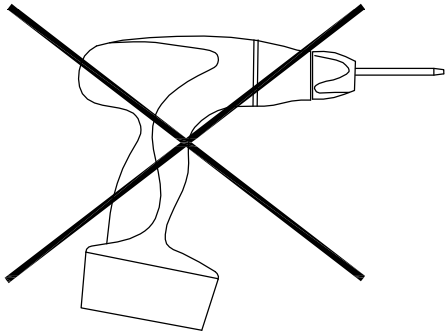
Attach seat cushion C to front leg frame B use spring washer ④ and flat washer ⑤ bolt ② and ③ with allen key ⑥
Attention : Tighten bolts to 50%

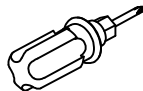
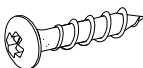


②x3	③x4	④x7	⑤x7	⑥x1
				

Step 3

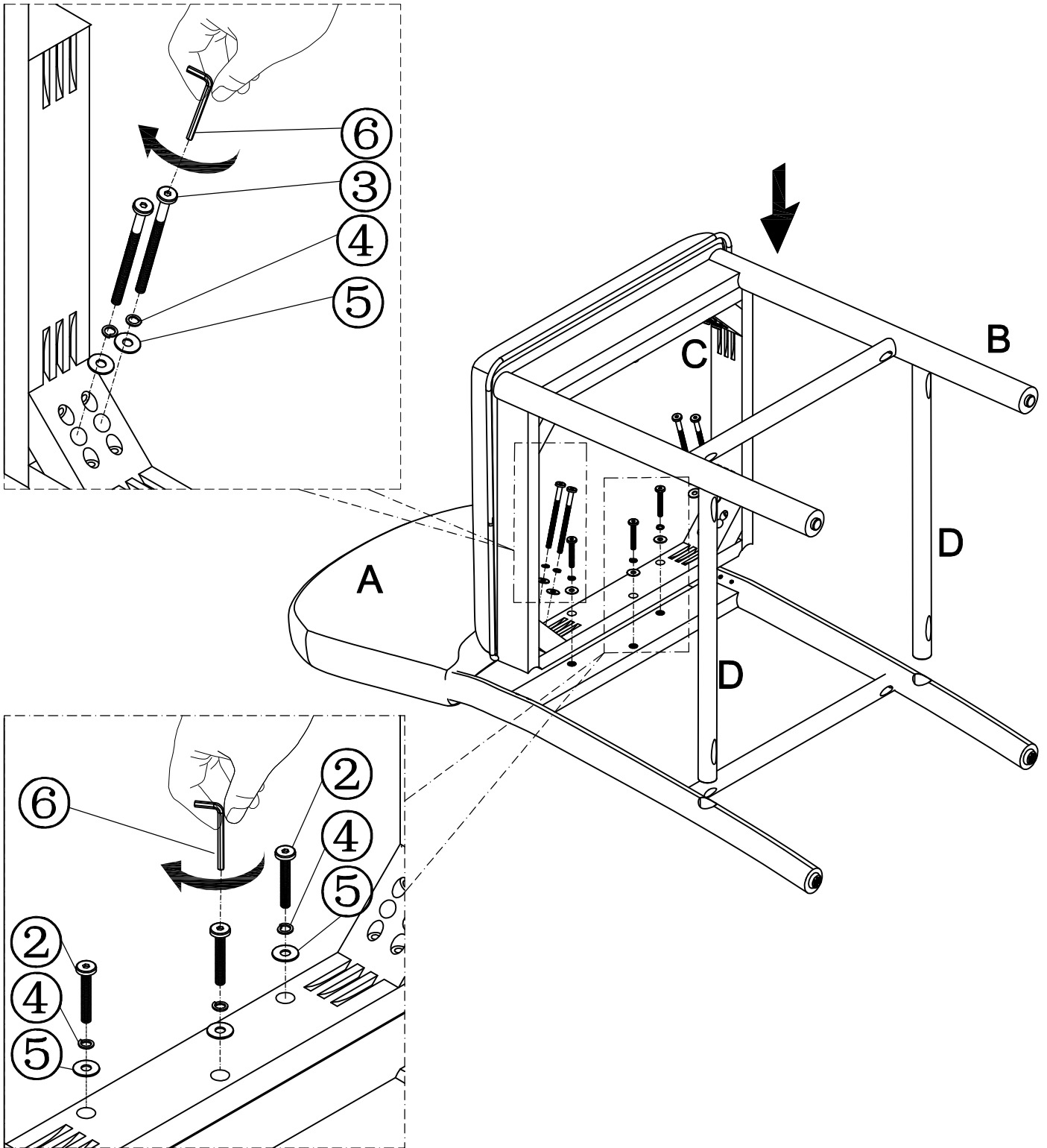
Insert side stretchers D to the holes on the front leg frame B, secure them with screws ① use screwdriver ⑦
Attention : Do not use electric screwdriver. Tighten screws to 50%

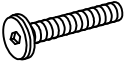



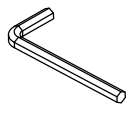


⑦x1	①x2
	

Step 4

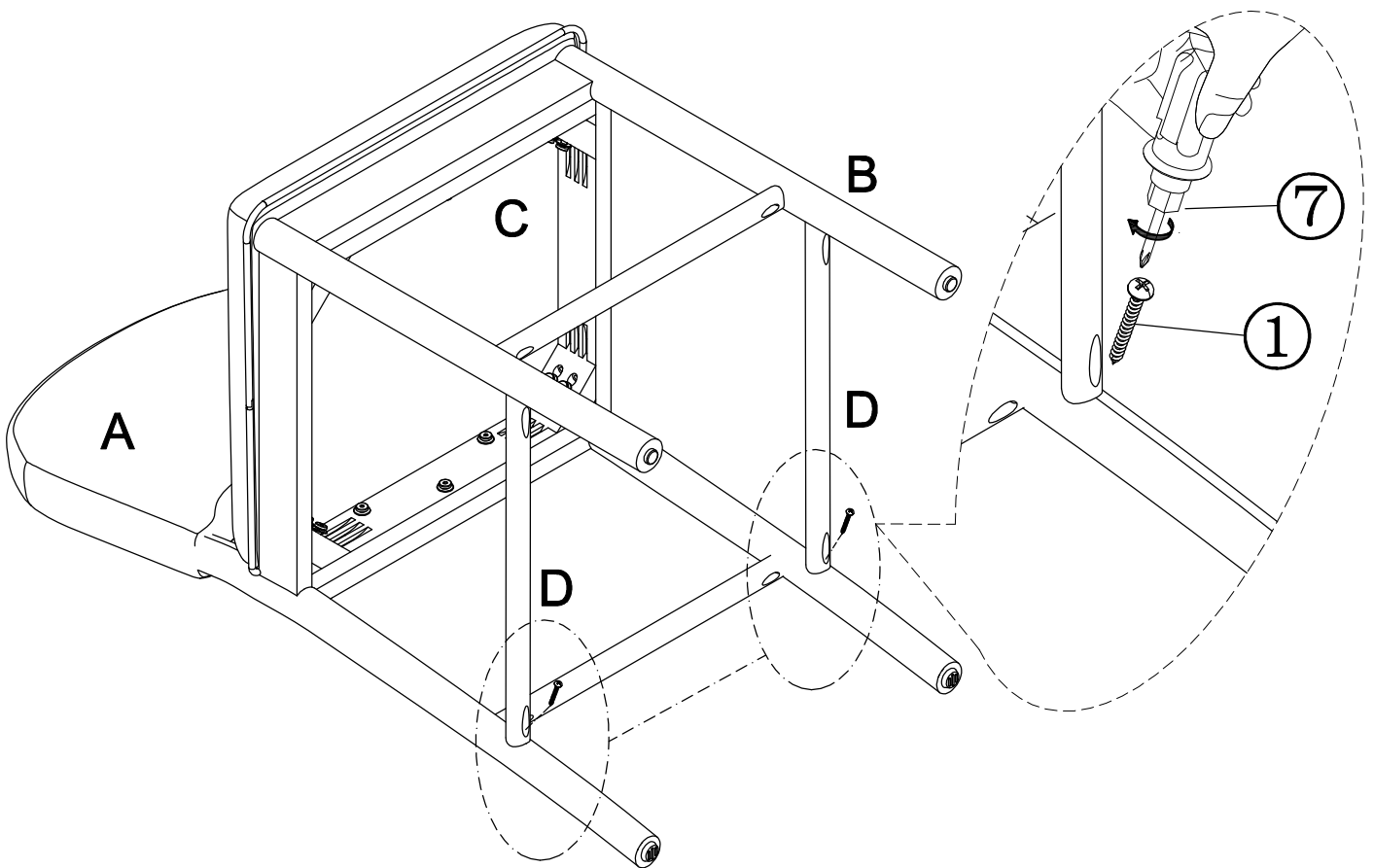
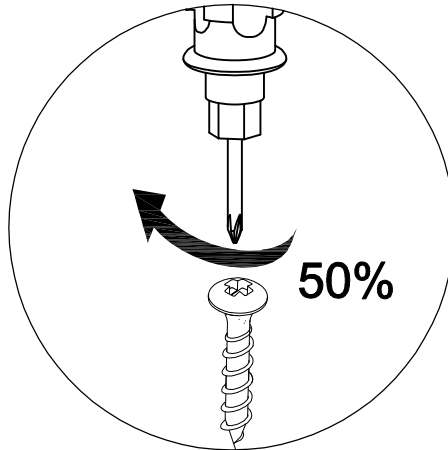
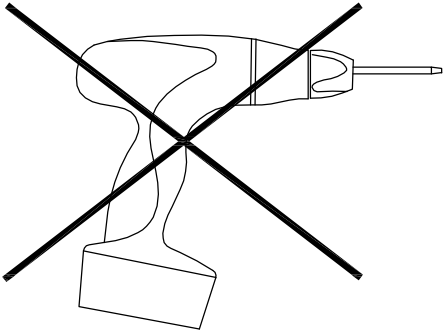
Attach back leg frame A to seat cushion C and side stretchers D use spring washer ④ flat washer ⑤ bolt ② and ③ with allen key ⑥
 Attention : Tighten bolts to 50%



②x3	③x4	④x7	⑤x7	⑥x1
				

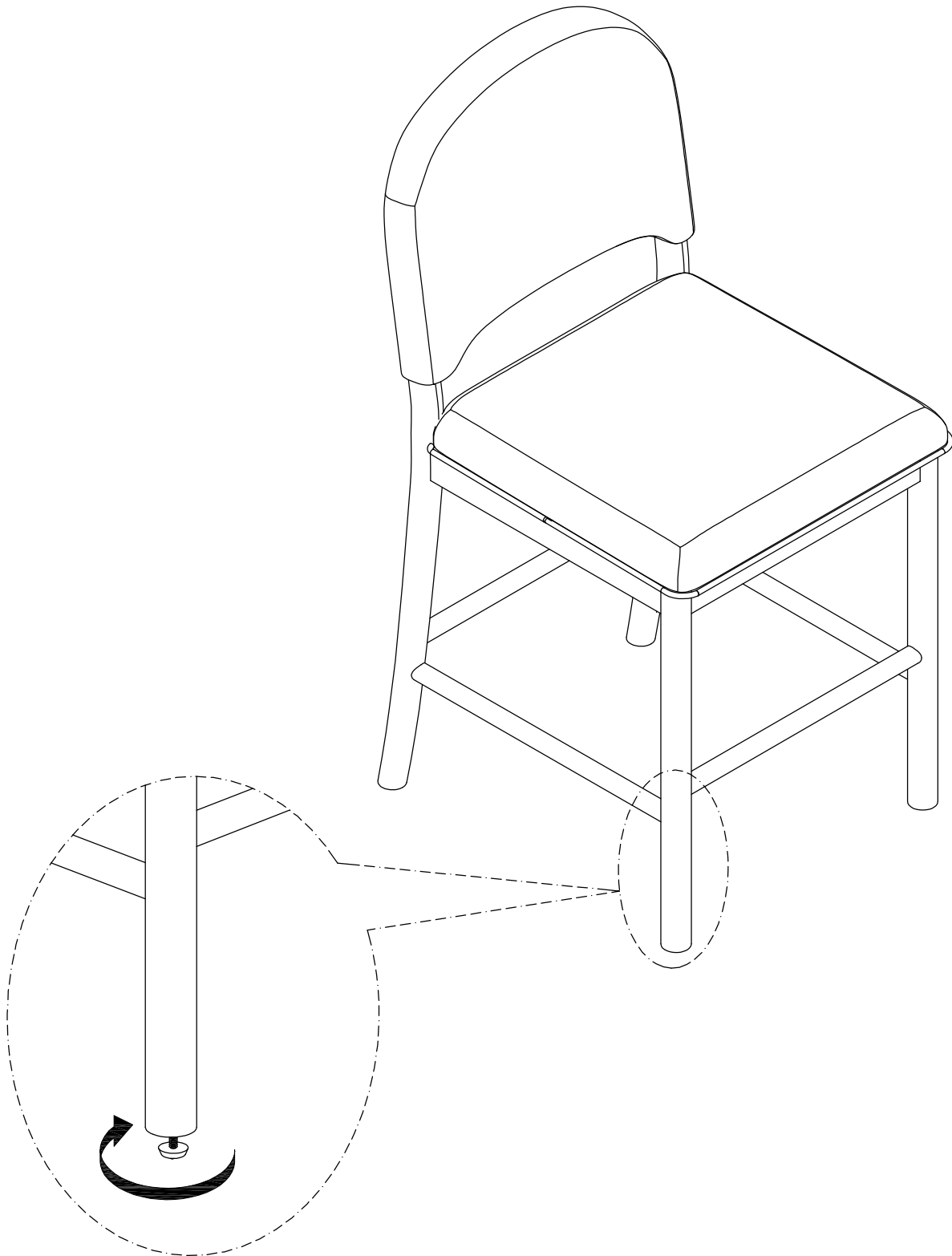
Step 5

Use screws ① to secure side stretchers.
Attention : Do not use electric screwdriver. Tighten screws to 50%



⑦x1	①x2

Step 6



ADJUST LEVELERS UNTIL THE CHAIR STANDS
EVENLY, THEN TIGHTEN ALL BOLTS AND SCREWS TO 100%

WARRANTY

- We strive to offer quality products, and we also try our best to satisfy every customer who orders from us with products or services as needed.
- Replacement parts can be purchased from our company if available.
- For returns, please check the return policy with the retailer or marketplace where you

Are you having difficulty

With assembly? Missing parts?
Please send an email with your order No.

We appreciate your purchase.
Brighten your life with our furniture!