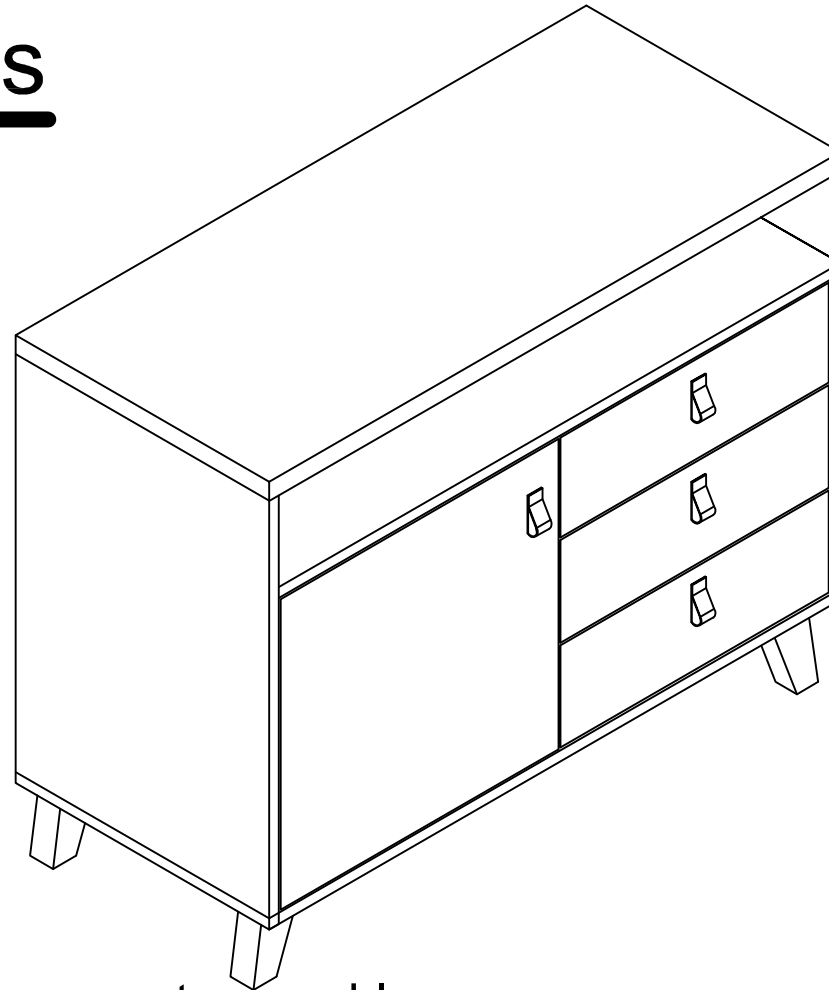


# Assembly Instructions



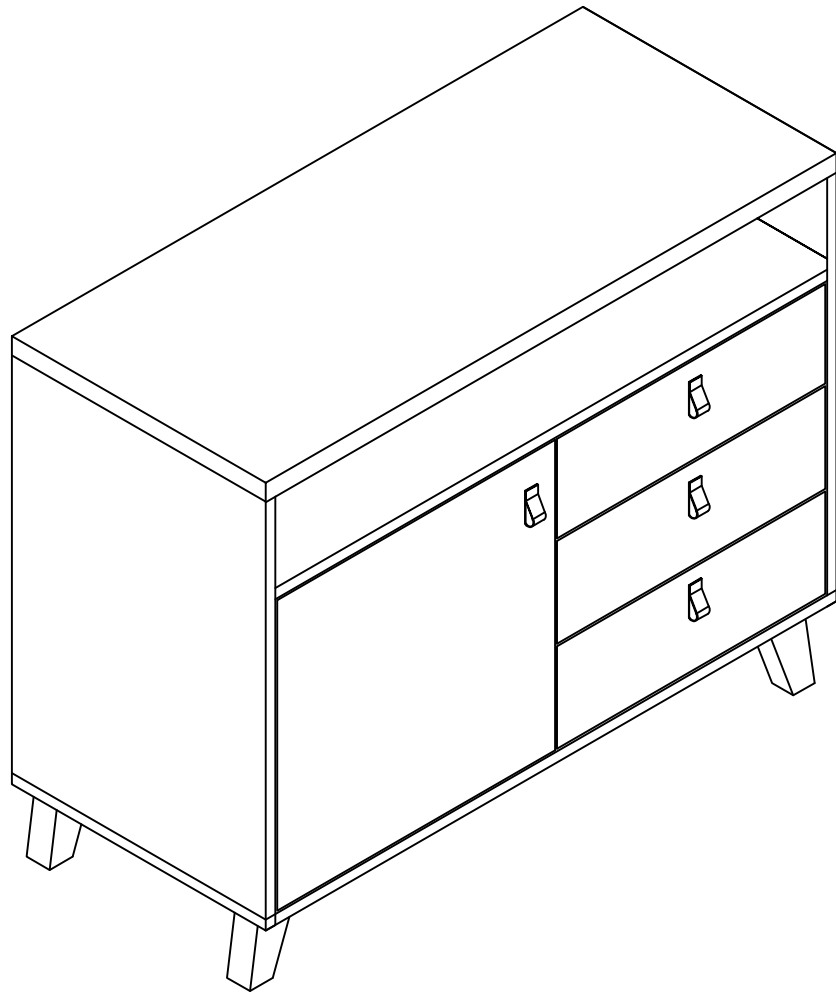
Thank you for your purchase.

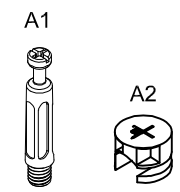
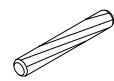
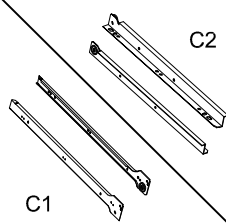
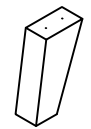
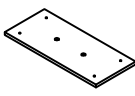

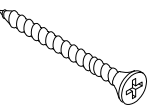
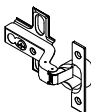
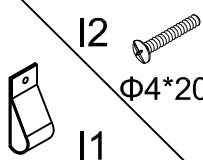

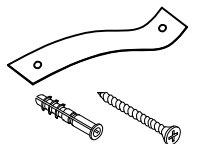
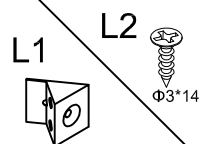


Please follow the instructions below for correct assembly.

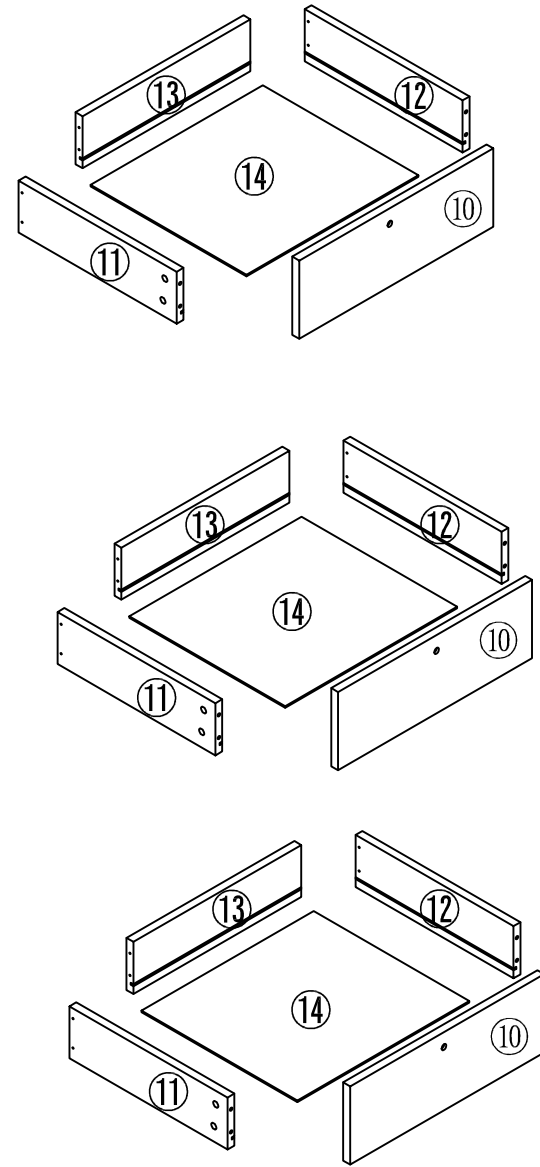
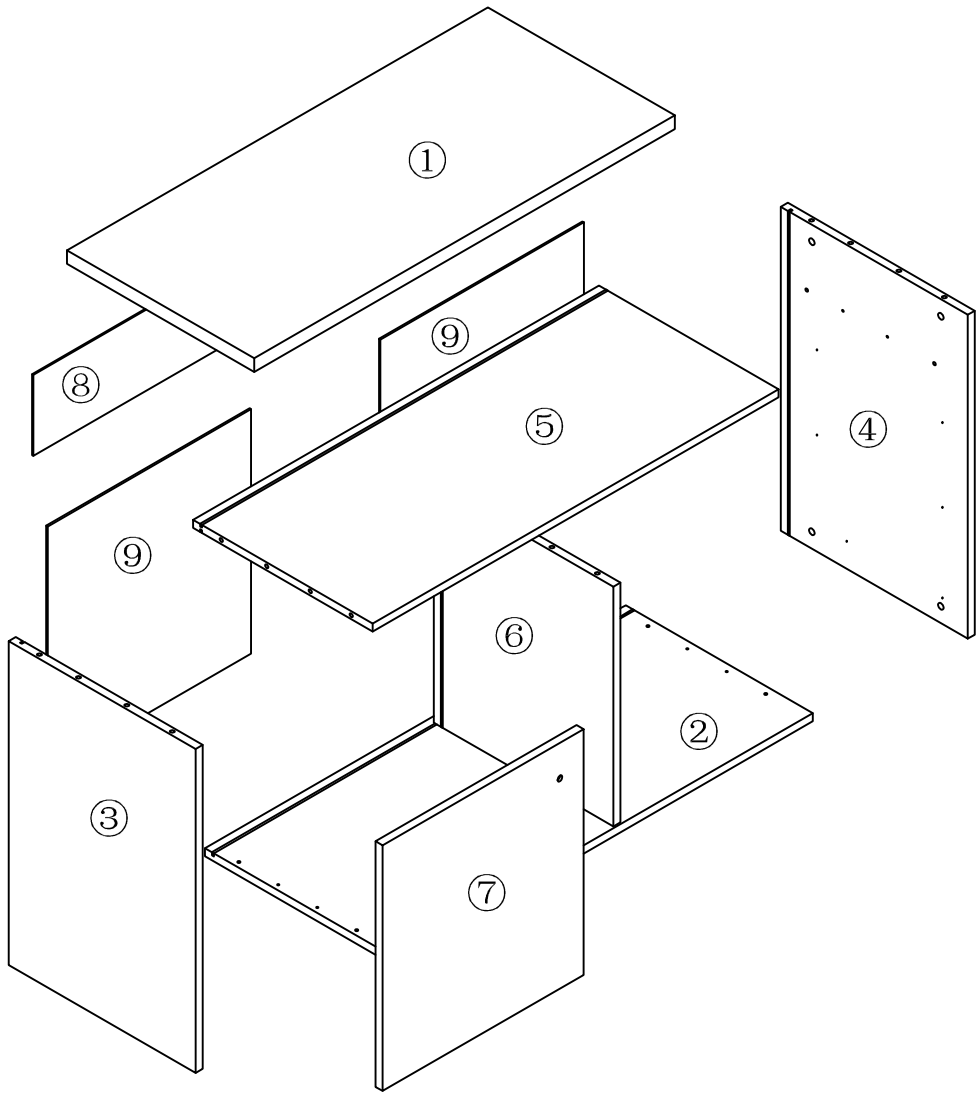
▲ For higher efficiency, we recommend to use a power drill; the power drill should be set on the low speed to avoid screw stripping.

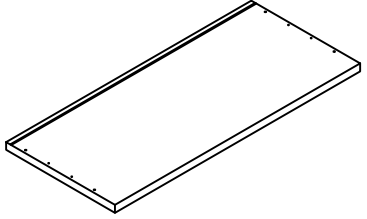
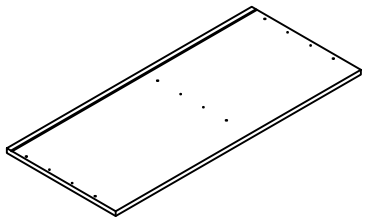
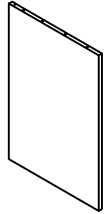
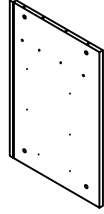
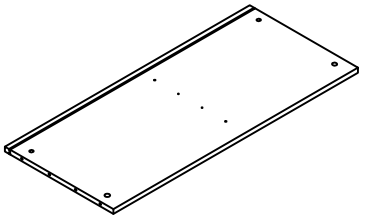
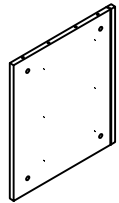
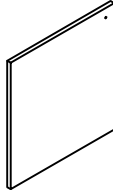
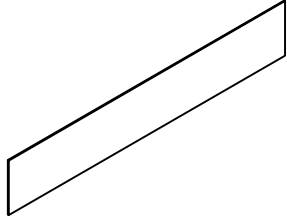
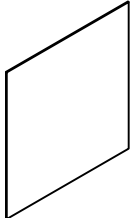
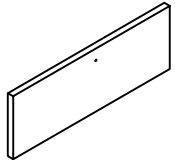
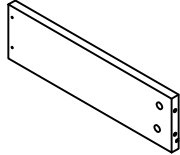
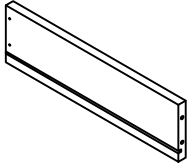
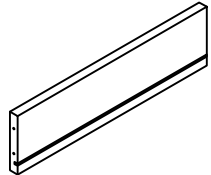
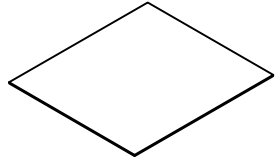
▲ CAUTION

This package contains small parts and hardware; keep it from children to avoid accidental swallowing



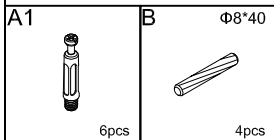
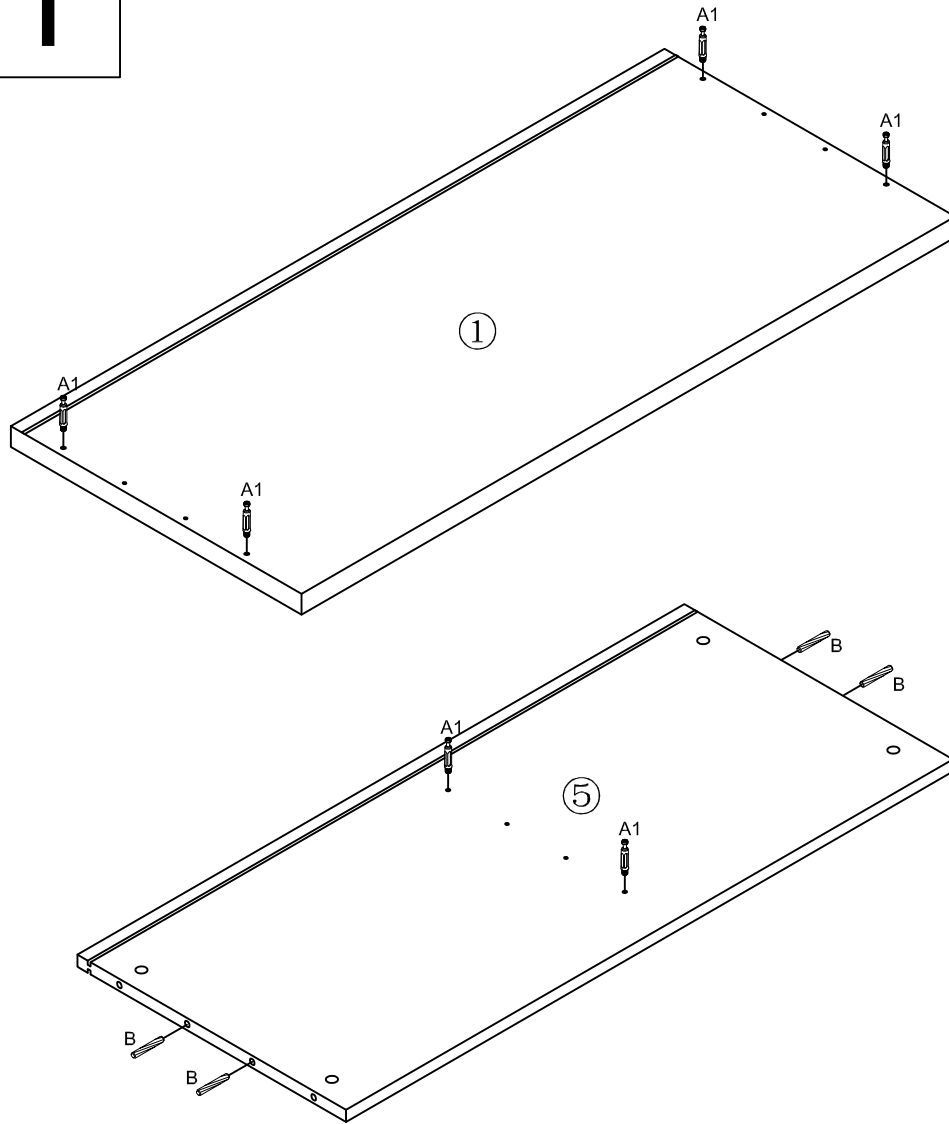
 <p>A1 A2</p>	 <p>Φ8*40</p>	 <p>C1 C2</p>	
<p>A 28pcs</p>	<p>B 16pcs</p>	<p>C 3pcs</p>	<p>D 4pcs</p>
	 <p>Φ3.5*14</p>	 <p>Φ3.5*35</p>	
<p>E 4pcs</p>	<p>F 54pcs</p>	<p>G 12pcs</p>	<p>H 2pcs</p>
 <p>I1 I2 Φ4*20</p>	 <p>Φ3.5*20</p>		 <p>L1 L2 Φ3*14</p>
<p>I 4pcs</p>	<p>J 8pcs</p>	<p>K 2pcs</p>	<p>L 12pcs</p>
	<p>BLACK</p> 		
<p>M 16pcs</p>	<p>N 12pcs</p>		



<p>①</p>  <p>900*400*25mm 1 PCS</p>	<p>②</p>  <p>900*400*15mm 1 PCS</p>	<p>③</p>  <p>600*400*15mm 1 PCS</p>	<p>④</p>  <p>600*400*15mm 1 PCS</p>
<p>⑤</p>  <p>868*384*15mm 1 PCS</p>	<p>⑥</p>  <p>444*384*15mm 1 PCS</p>	<p>⑦</p>  <p>456*430*15mm 1 PCS</p>	<p>⑧</p>  <p>878*150*3mm 1 PCS</p>
<p>⑨</p>  <p>453*436*3mm 2 PCS</p>	<p>⑩</p>  <p>430*150*15mm 3 PCS</p>	<p>⑪</p>  <p>350*100*15mm 3PCS</p>	<p>⑫</p>  <p>350*100*3mm 3 PCS</p>
<p>⑬</p>  <p>371.5*100*15mm 3 PCS</p>	<p>⑭</p>  <p>382*345*3mm 3 PCS</p>		

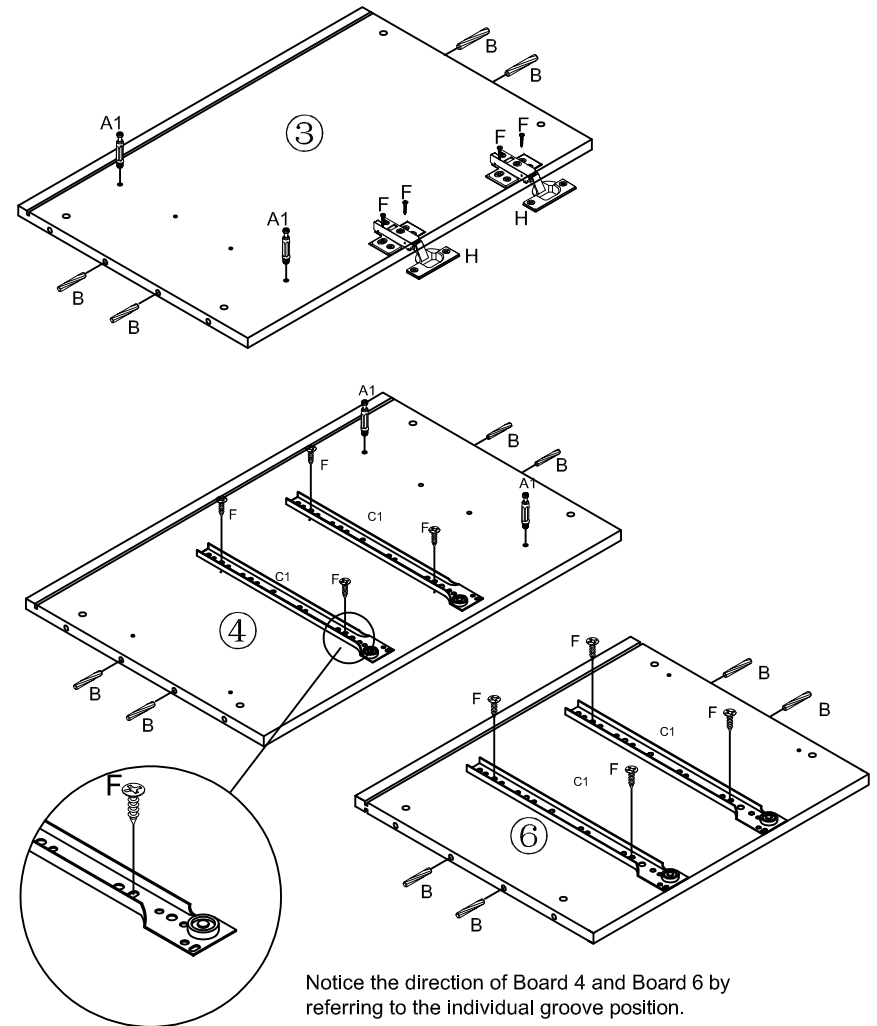
# 1

Please hand insert the pegs all the way in.

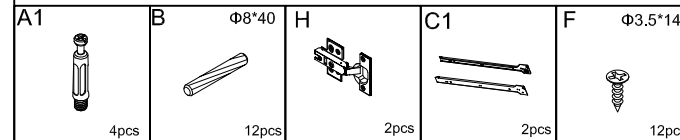


# 2

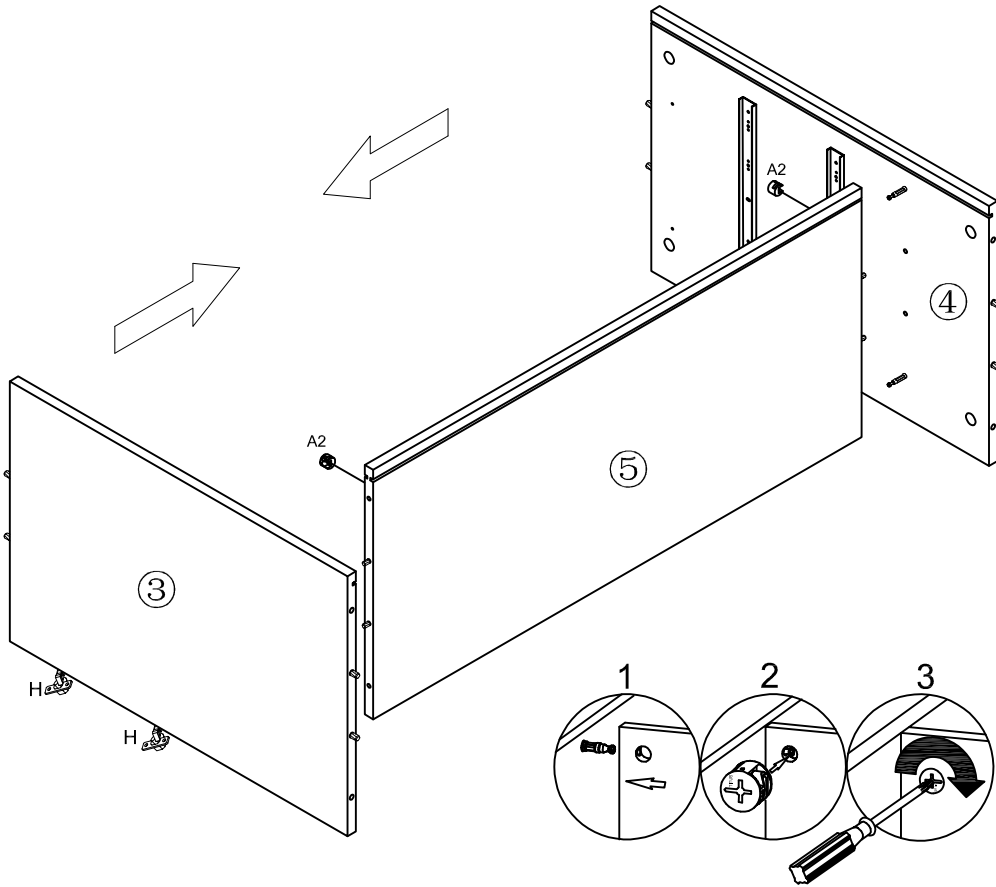
Please hand insert the pegs all the way in.



Notice the direction of Board 4 and Board 6 by referring to the individual groove position.



# 3



Cooperation of two people is recommended to accomplish this step.

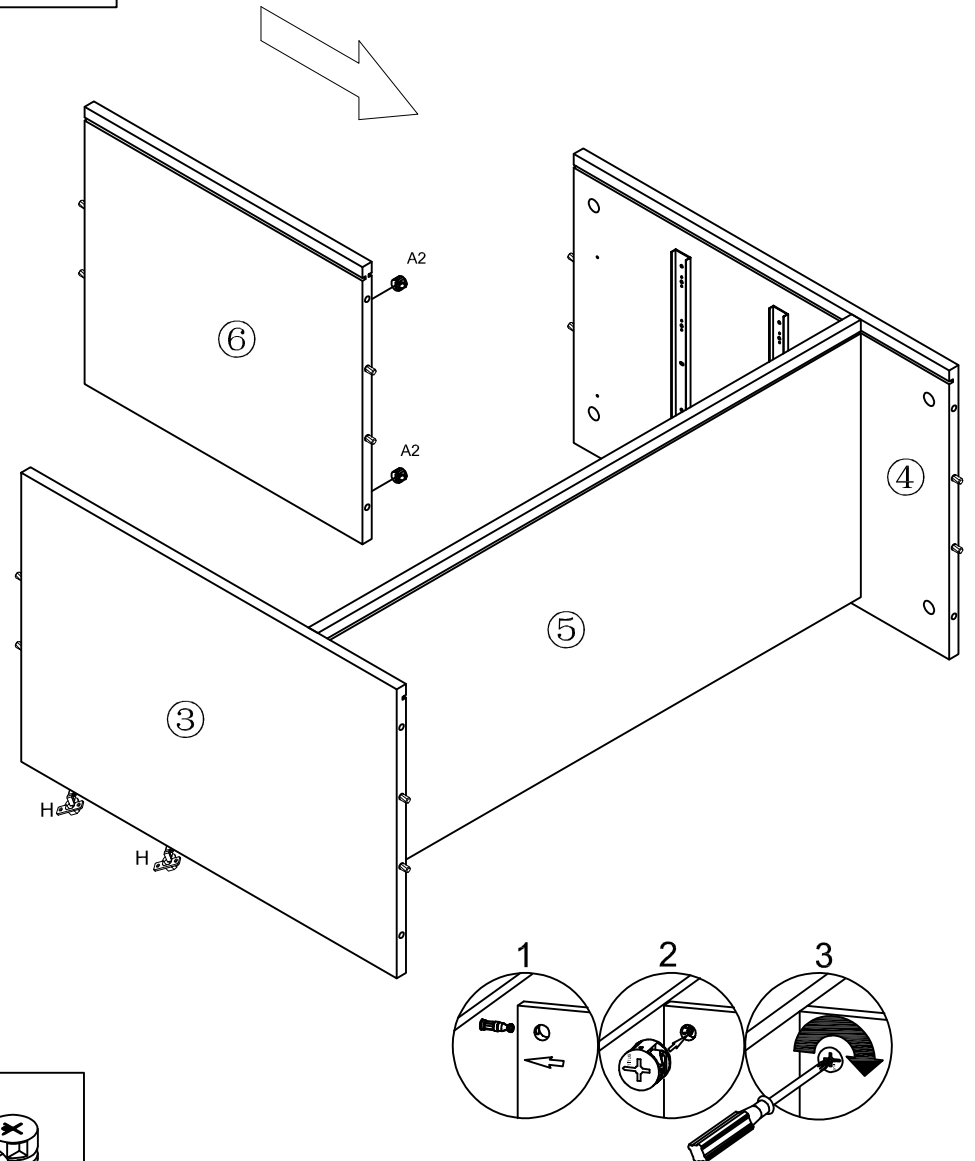
A2



4pcs

# 4

Cooperation of two people is recommended to accomplish this step.

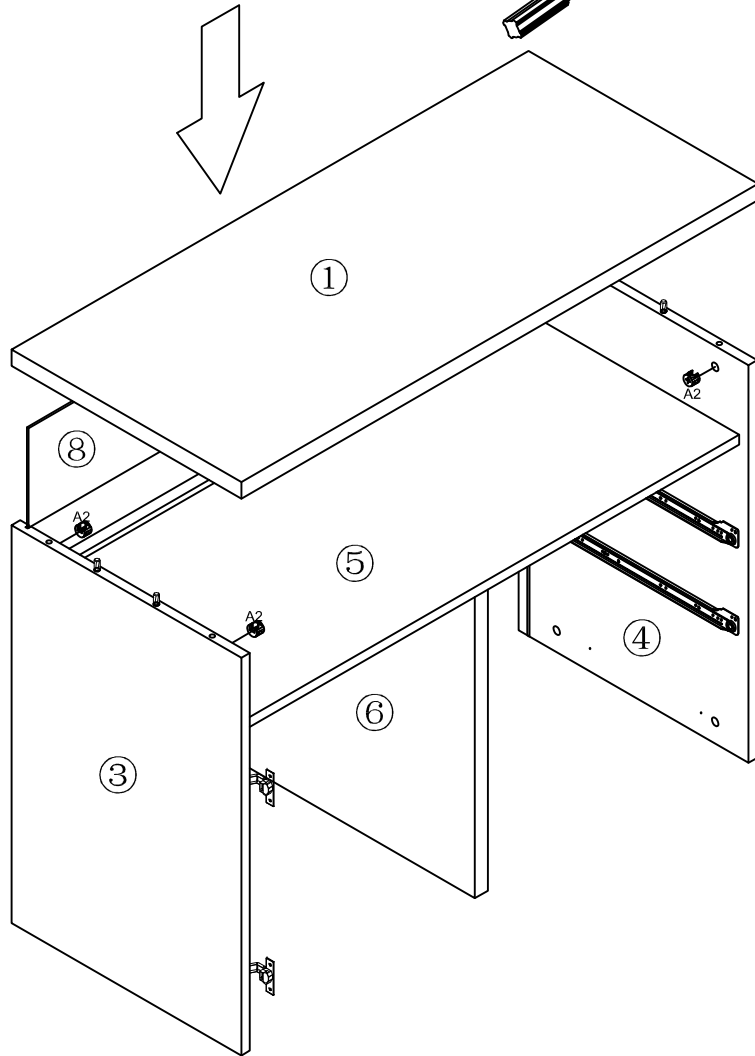
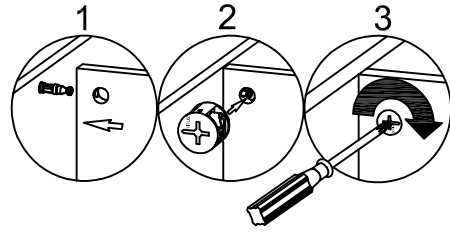


A2

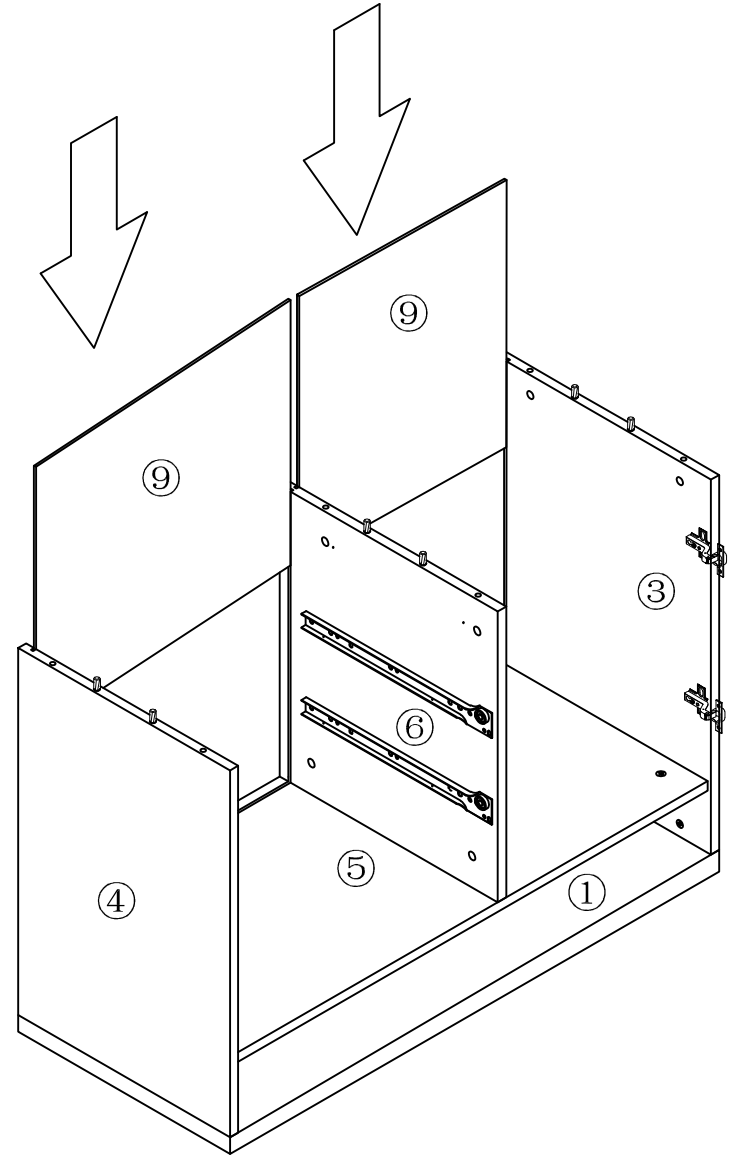


2pcs

# 5



# 6



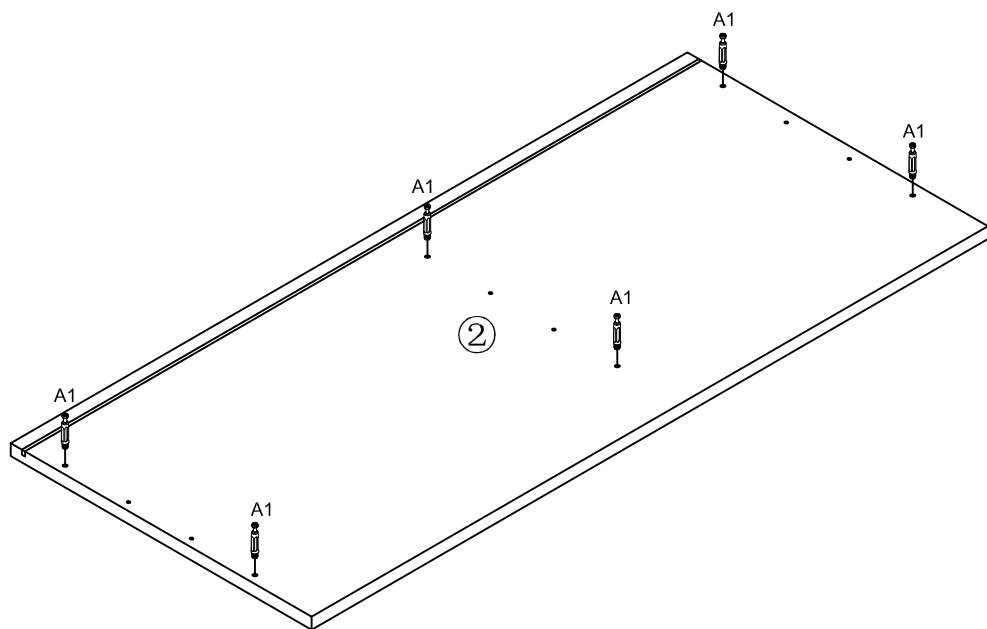
A2



4pcs

Cooperation of two people is recommended to accomplish this step.

# 7

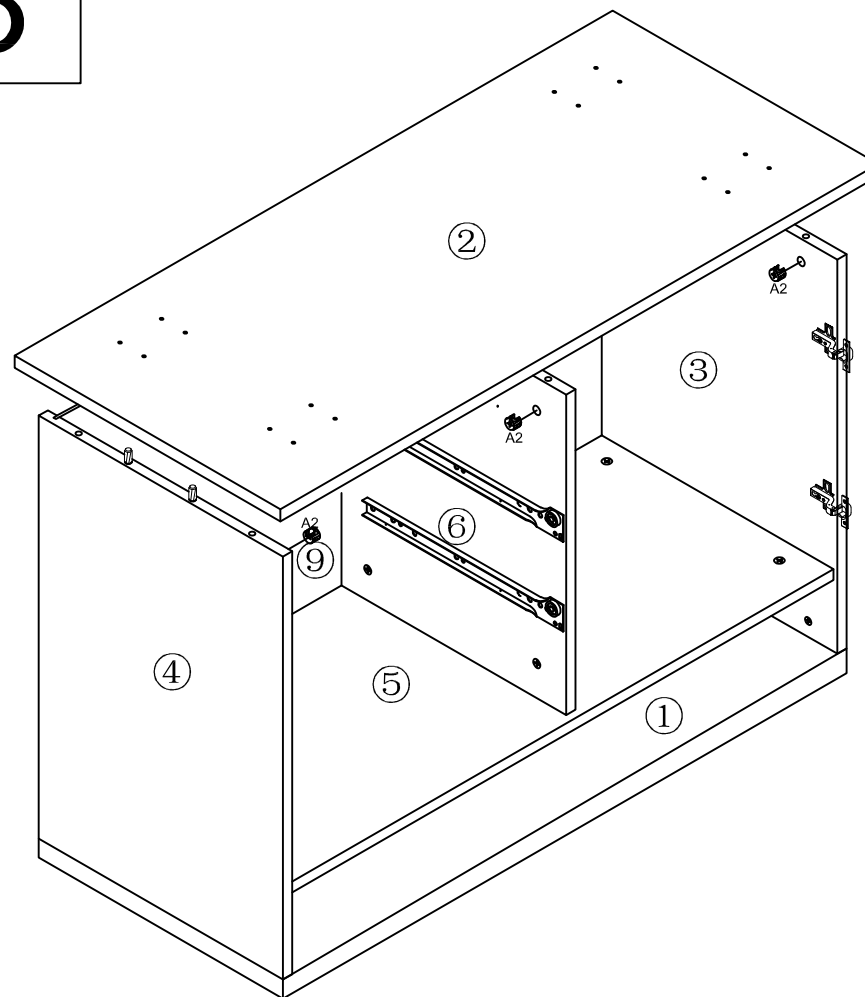


A1



6pcs

# 8

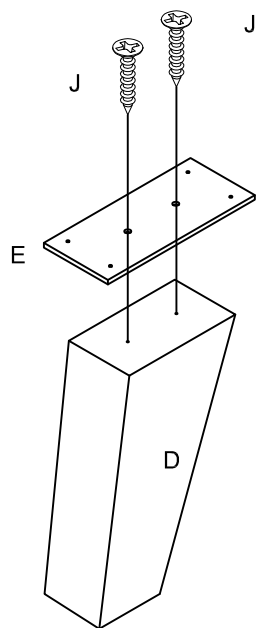


A2

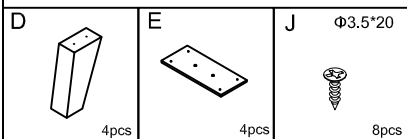


6pcs

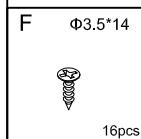
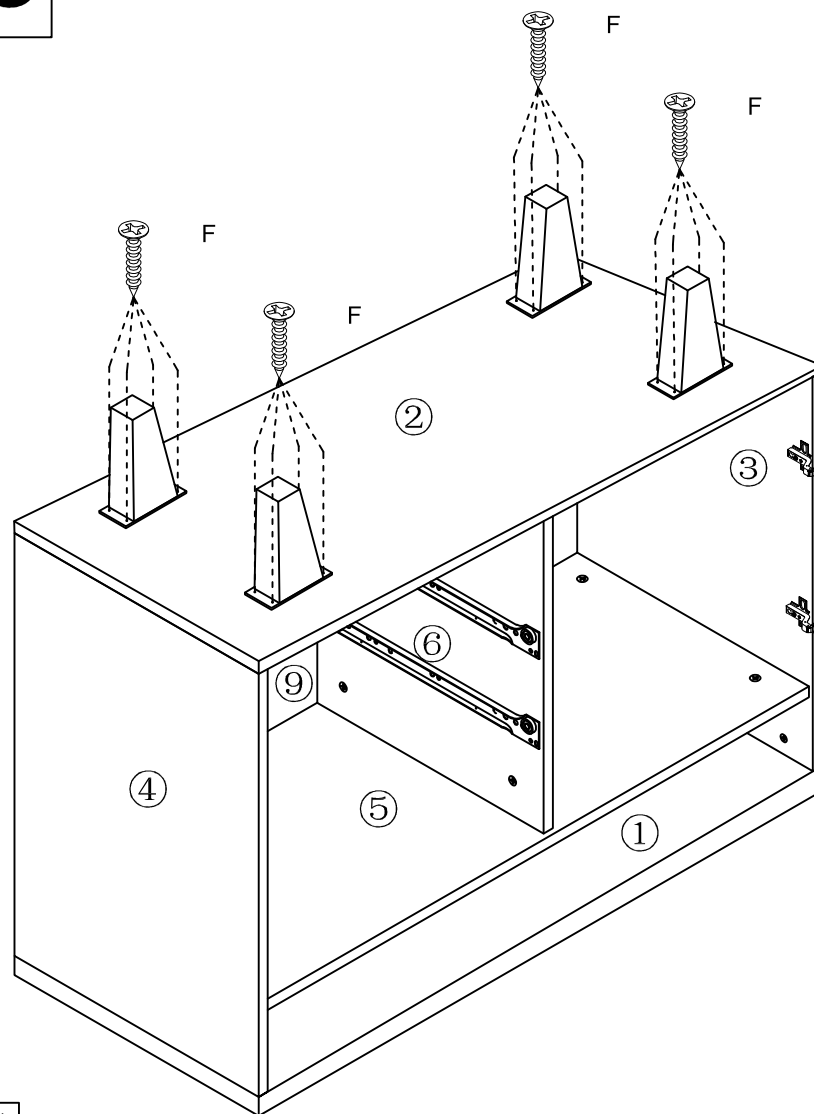
9



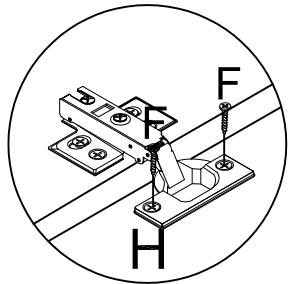
X4



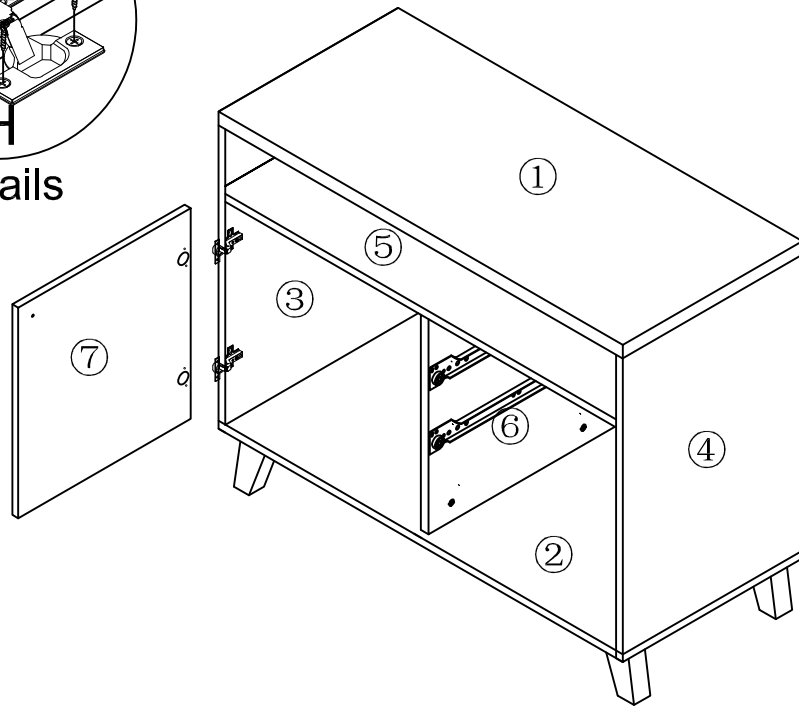
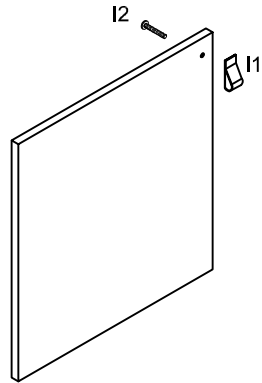
10



# 11

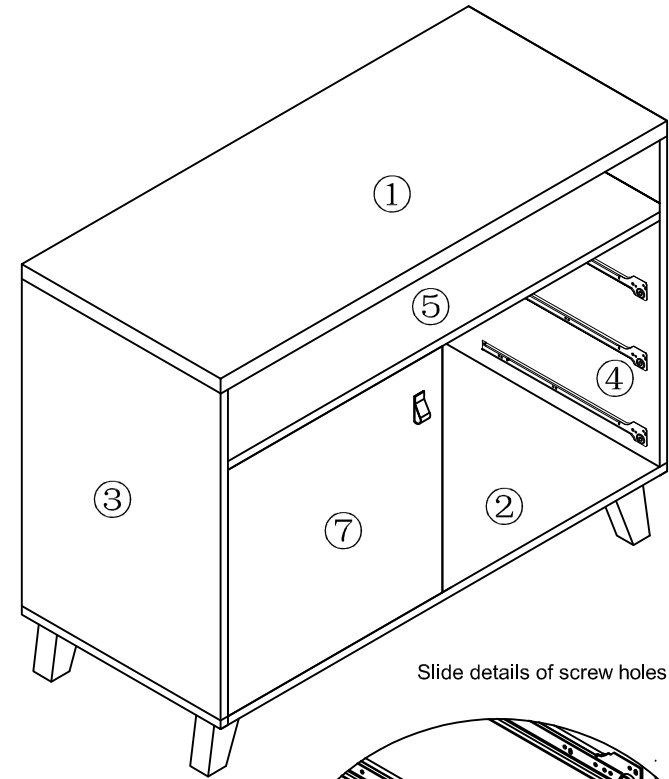


Details



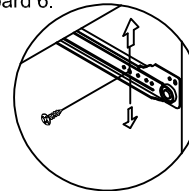
F	Φ3.5*14	I1	I2	Φ4*20
4pcs		1pcs	1pcs	

# 12

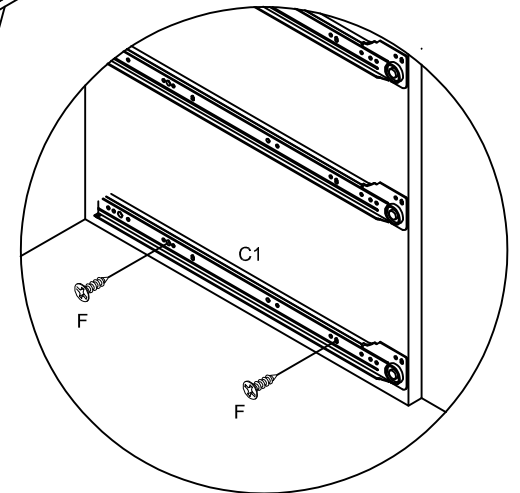


Slide details of screw holes

Slides (Hardware C1) are to be installed on Board 4 and Board 6.

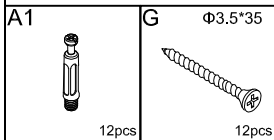
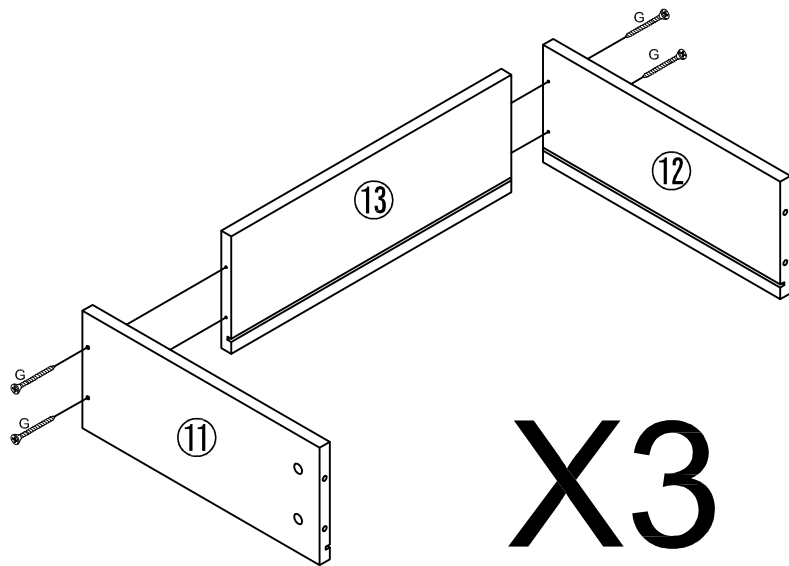
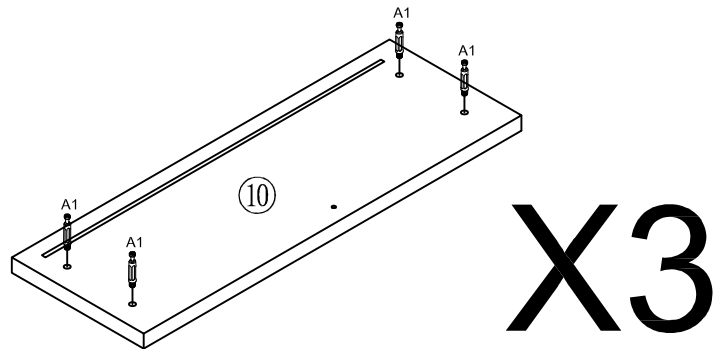


The first slide hole location can change the gap between the drawer boards.

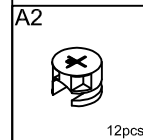
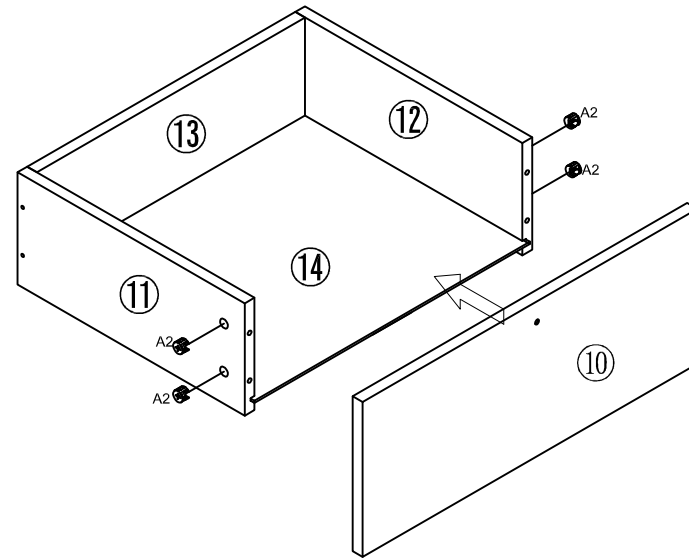


C1	F	Φ3.5*14
1pcs	4pcs	

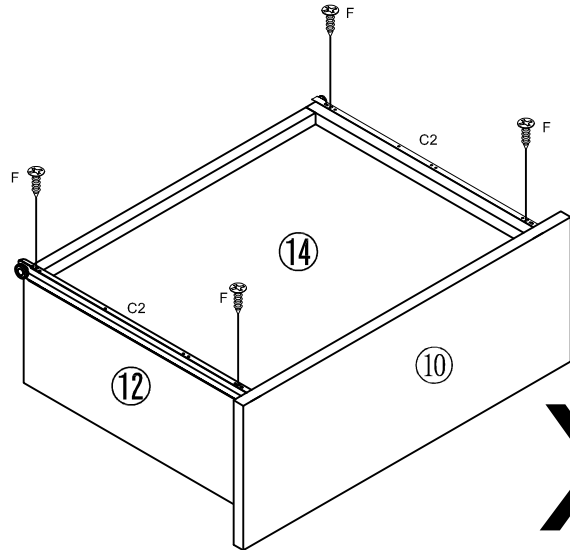
# 13



# 14

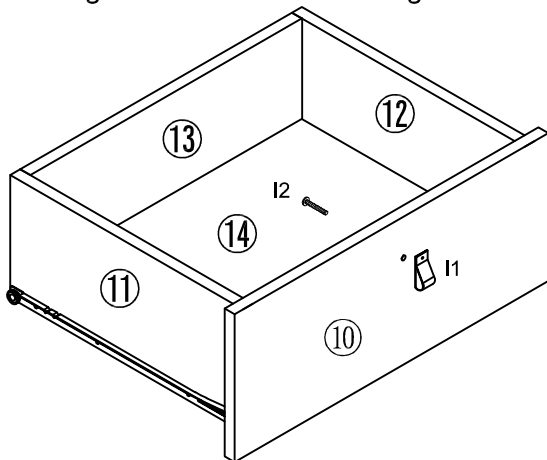


# 15

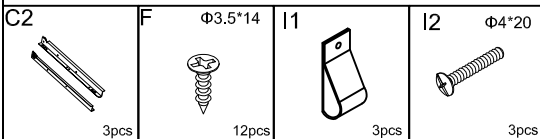


# X3

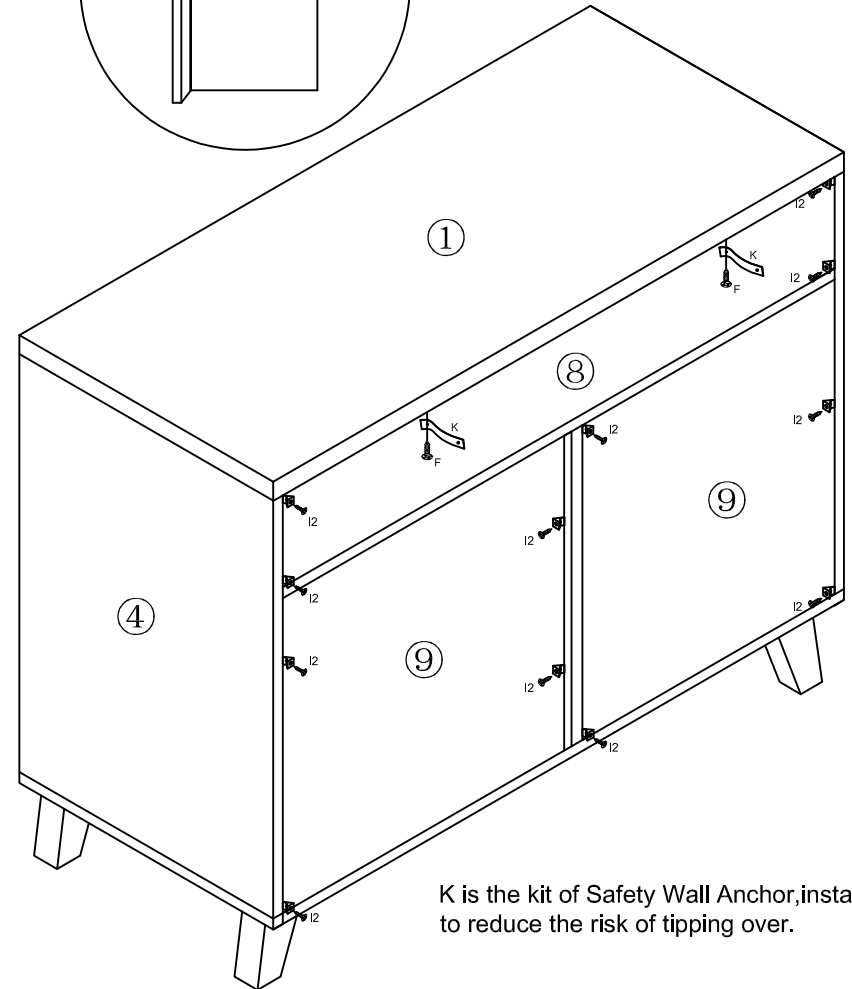
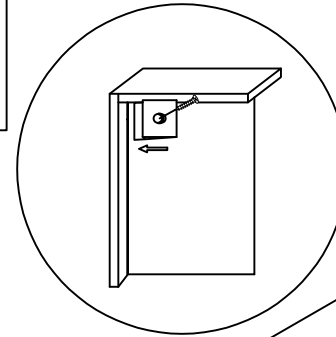
When install the Hardware C2, make sure the roller is positioned at the corner of the drawer and facing outward before screwing.



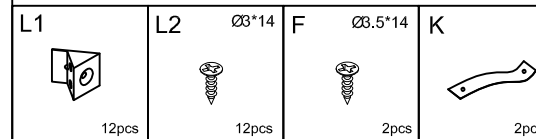
# X3



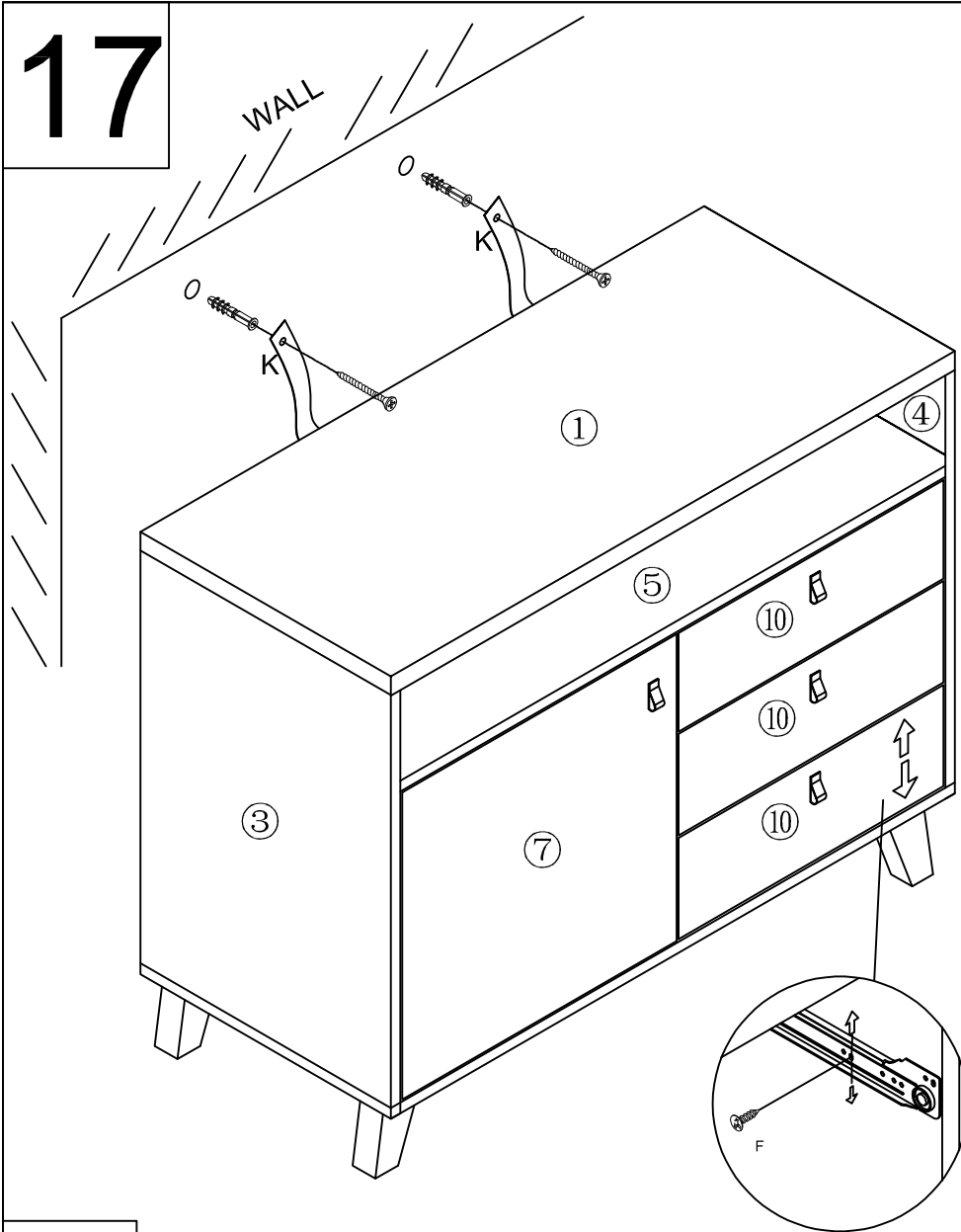
# 16



K is the kit of Safety Wall Anchor, installed to reduce the risk of tipping over.



# 17



K



2pcs

The screws fixing the slides on Board 4 and Board 6 can be used to finely adjust the height of the slides, and thus the gaps between the drawer boards.

# 18

