

NOTICE

- * Please make sure that you have all parts indicated and they are in good condition before you begin assembly of this item. Refer to part list and hardware list below for guidance.
- * This item should be assembled on a soft surface to prevent scratching the finish during assembly.
- * This item may require periodic tightening.
- * If you are having difficulty, our friendly Customer Care team is always here to help.

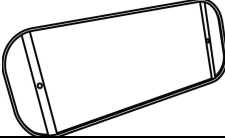
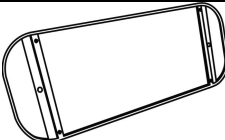

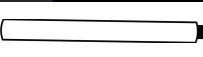
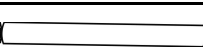

PREPARATION

- * Before beginning assembly of product, make sure all parts are present. Compare parts with part contents list and hardware contents list.
- * If any part is missing or damaged, do not attempt to assemble the product.
- * Estimated Assembly Time: **10 minutes.**
- * Tools Required for Assembly (included): **Wrench**

CARE AND MAINTENANCE

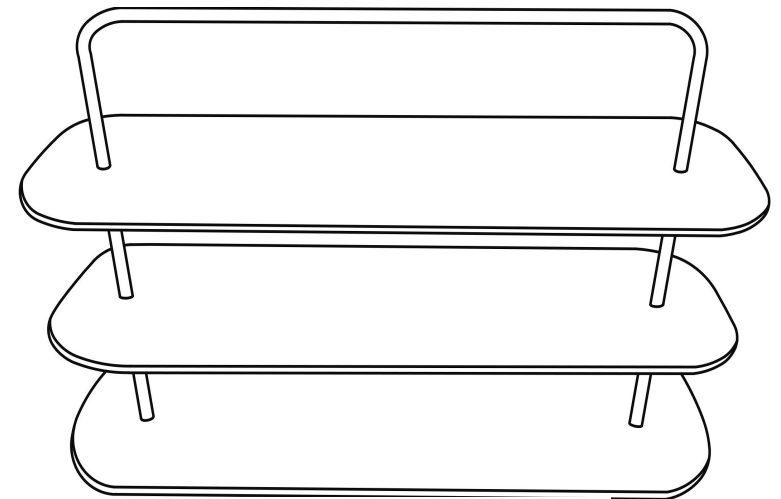
Dust with a soft, dry cloth. Do not use abrasive cleaner.

Part List and Hardware List

Piece	Description	Picture	Quantity
A	Shelf		2 X
B	Bottom Shelf		1X
C	Handle		1 X
D	Middle leg		2 X
E+F	Bottom leg+Screw		2 X
HW1	Wrench		1 X

Owner Manual

Product Dimensions: 33.8"Wx12.5"Dx26.1"H



⚠ WARNING ⚠

Weight Capacity-30LBS

Warning: Do not stand on Table

Warning: Do not over torque bolts.

Preparation

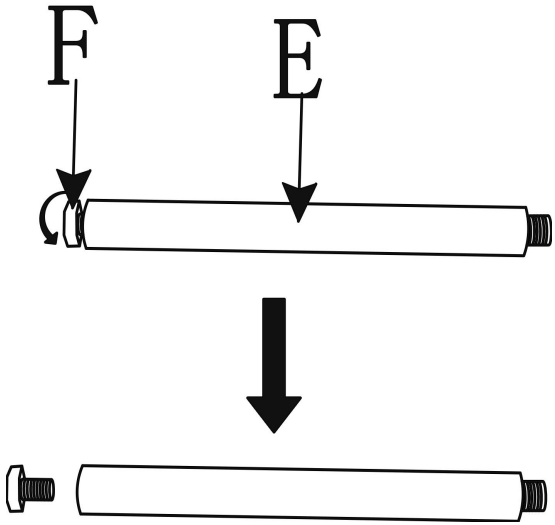
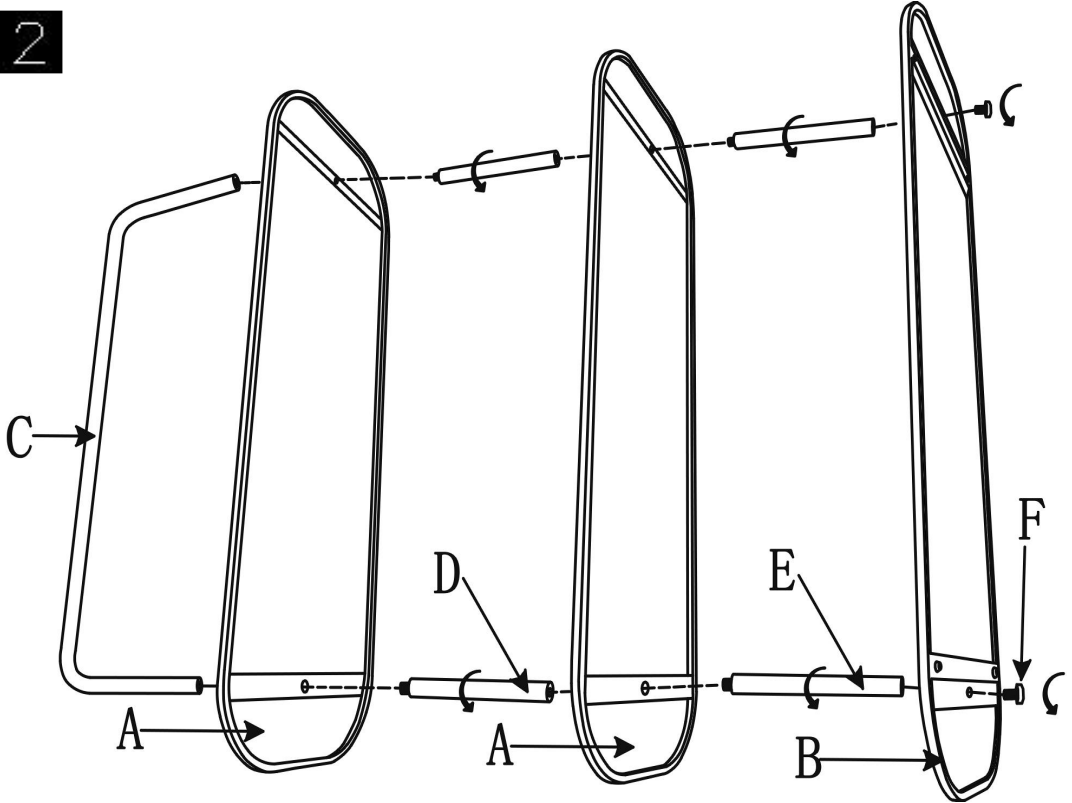
*Before beginning assembly of product, make sure all parts are present. Compare parts with package contents list and hardware contents list.

*If any part is missing or damaged, do not attempt to assemble the product.

*Estimated Assembly Time: **10 minutes.**

*Tools Required for Assembly (included): **Wrench**

* If you are having difficulty, our friendly Customer Care team is always here to help.

<p>1</p> 	<p>2</p> 
<p>Step 1 Unscrew (F) from Bottom leg (E)</p>	<p>Step 2 Place the Shelf (A) on the side, screw the Middle leg (D) through the Shelf (A) to the Handle (C), place the shelf (A) on Middle leg (D), and then connect E, B, and Screw (F). Tighten the Screw</p>