

---

# RATTAN 6 DRAWER DRESSER

User Manual

---

# INTRODUCTION

Thank you for choosing the Drawer Dresser. Please read this user manual carefully and keep it for future reference. If you need any assistance, please contact us by email with your order number and details.

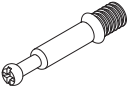
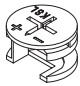
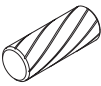
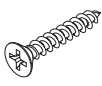

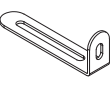
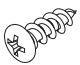


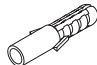


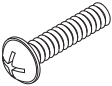




## PACKAGE CONTENTS

- Drawer Dresser
- Pack of Accessories
- User Manual

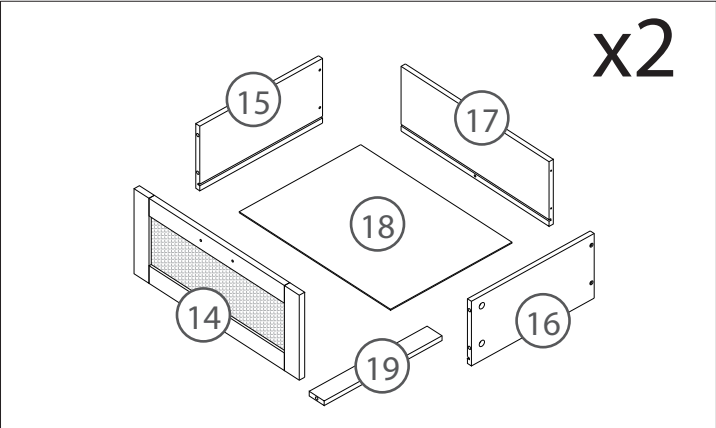
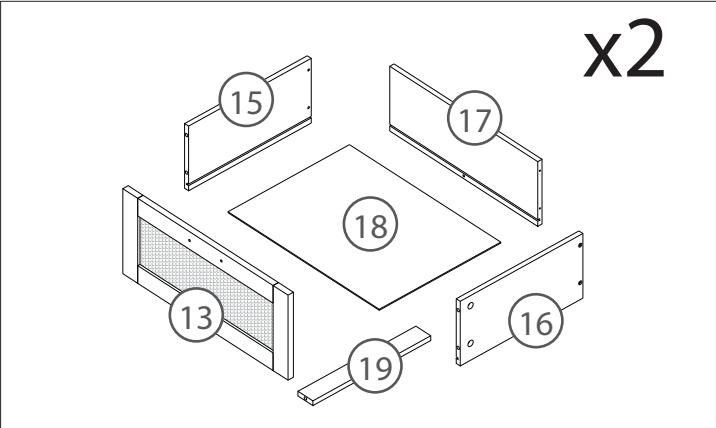
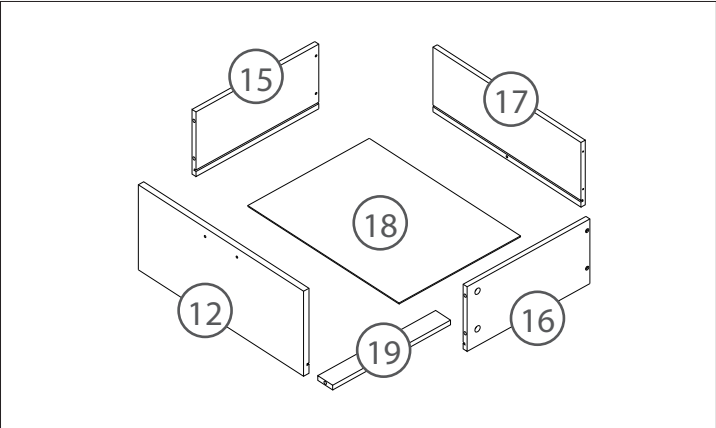
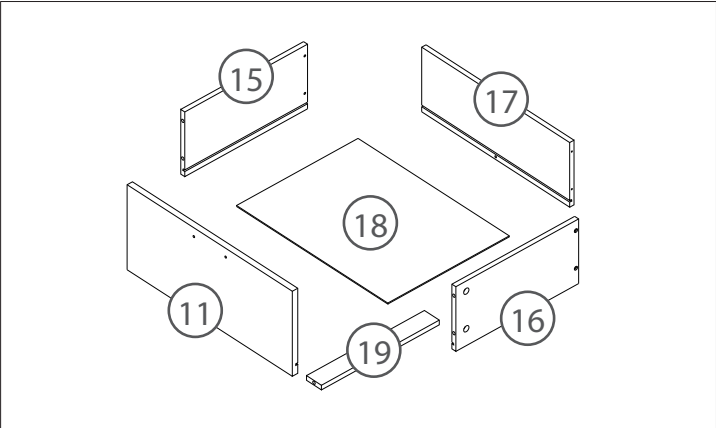
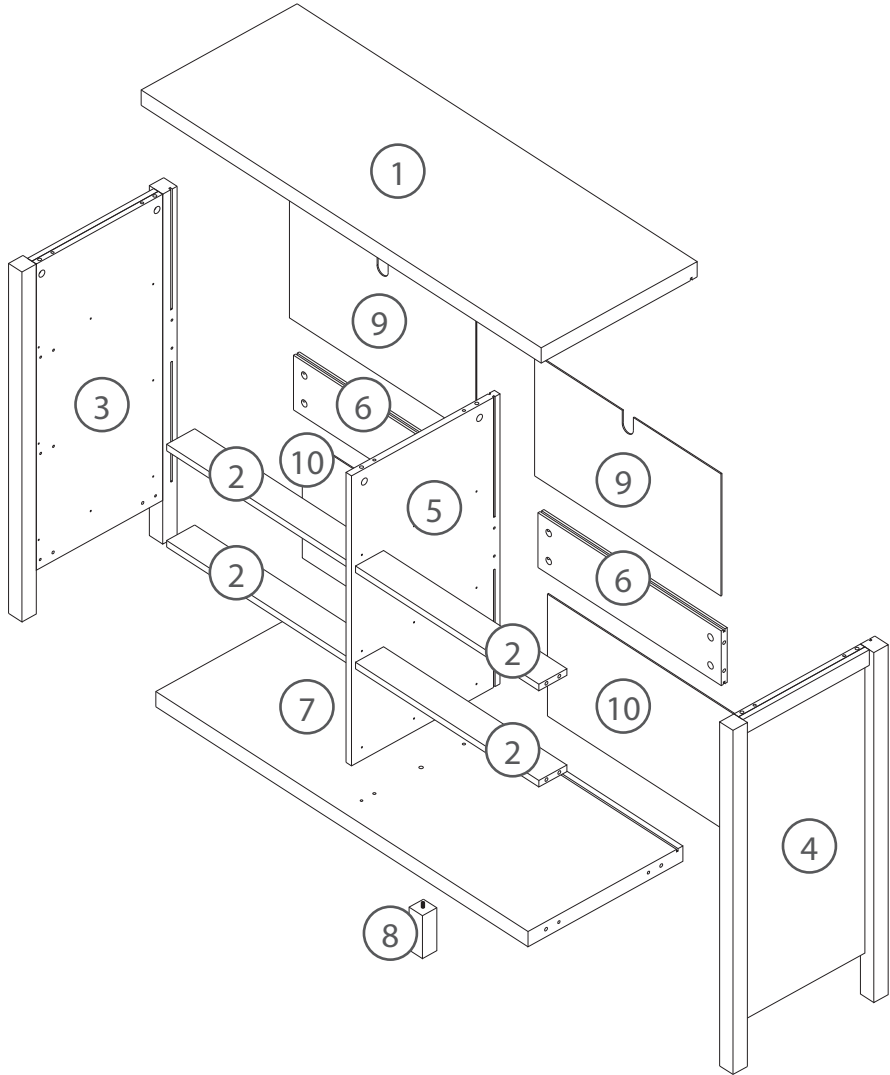
## PRODUCT CARE

- Please follow the instruction to assemble this item correctly.
- Don't make the screws be too loose or too tight.
- Please put the screws into the holes' position just as shown in the arrows of the image, and then clockwise rotate 90° or 180°
- The fittings pack contains small accessories that should be kept away from small children.

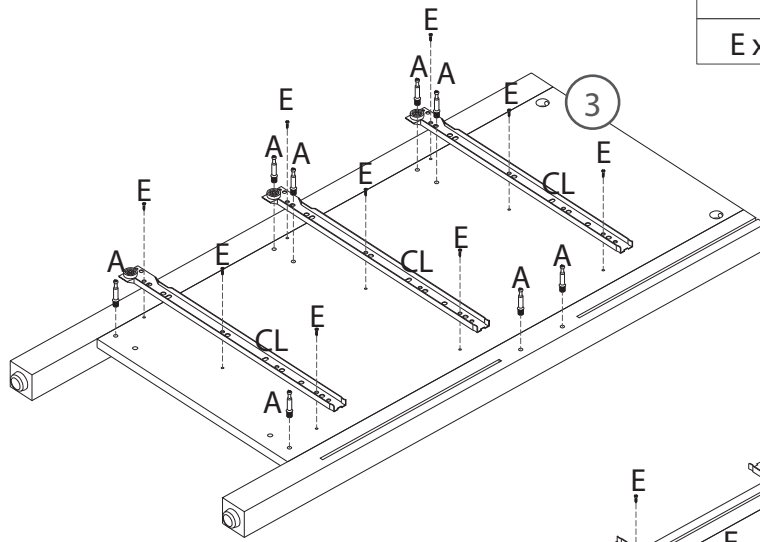
## HARDWARE SUPPLIED

<b>A M6x35MM</b>  x64	<b>B M15x10MM</b>  x64	<b>C Ø6x30MM</b>  x12	<b>D M4x45MM</b>  x4	<b>E M3x12MM</b>  x72	<b>F</b>  x2
<b>G M4x12MM</b>  x2	<b>H</b>  x16	<b>I M3x16MM</b>  x16	<b>J</b>  x2	<b>K M4x35MM</b>  x30	<b>L</b>  x6
<b>M M4x18MM</b>  x12	<b>CL 350MM</b>  x6		<b>CR 350MM</b>  x6		
<b>DL 350MM</b>  x6			<b>DR 350MM</b>  x6		

# PANEL LAYOUT



1



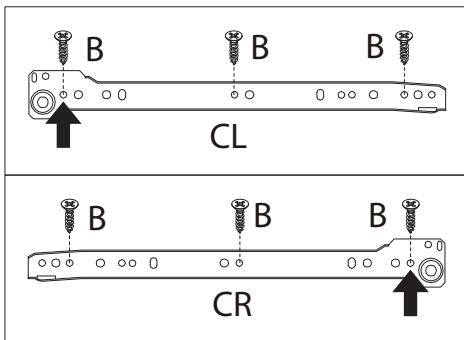
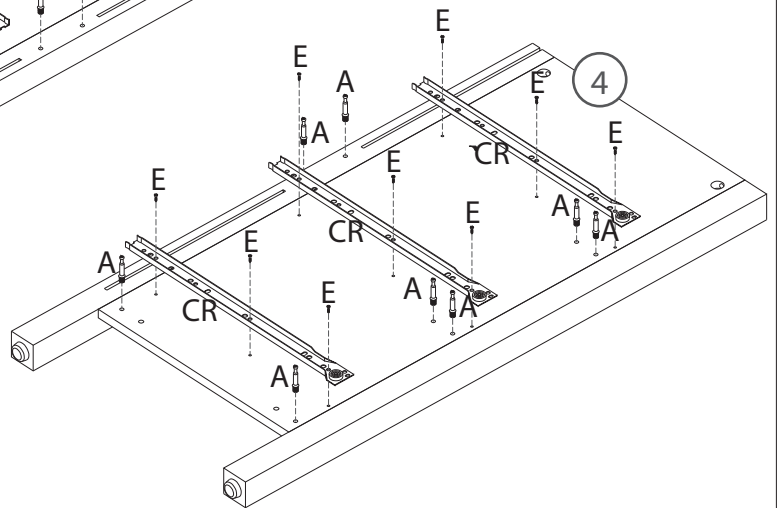
YOU WILL NEED

E x18

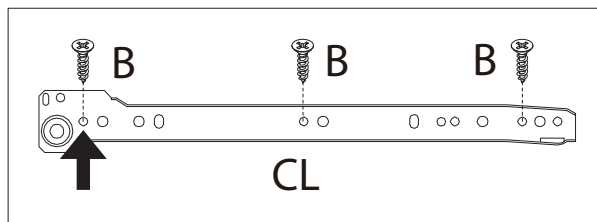
CR x3

CL x3

A x16



2



YOU WILL NEED

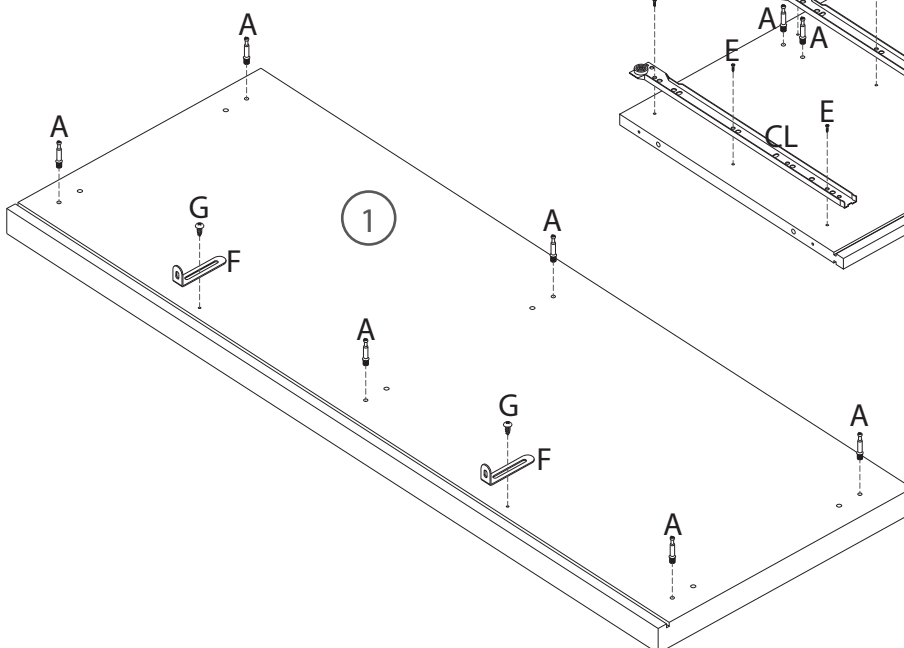
CL x3

E x9

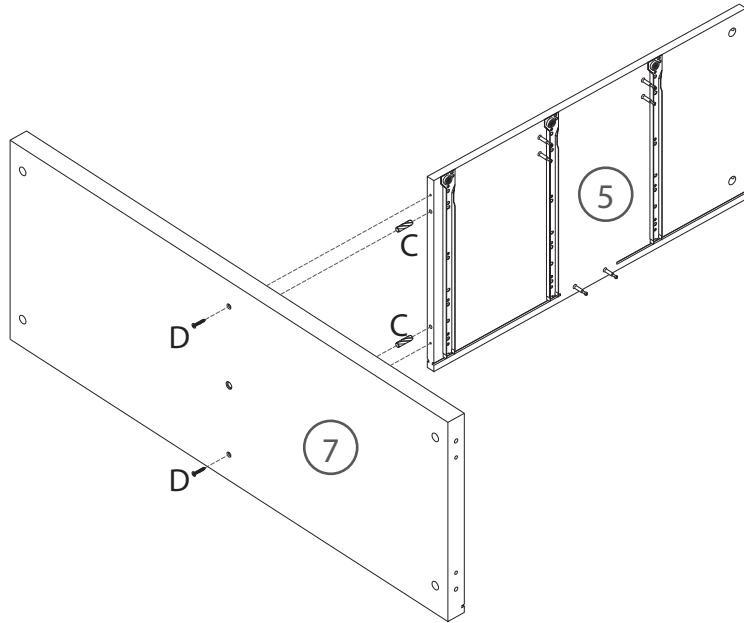
G x2

F x2

A x12



3

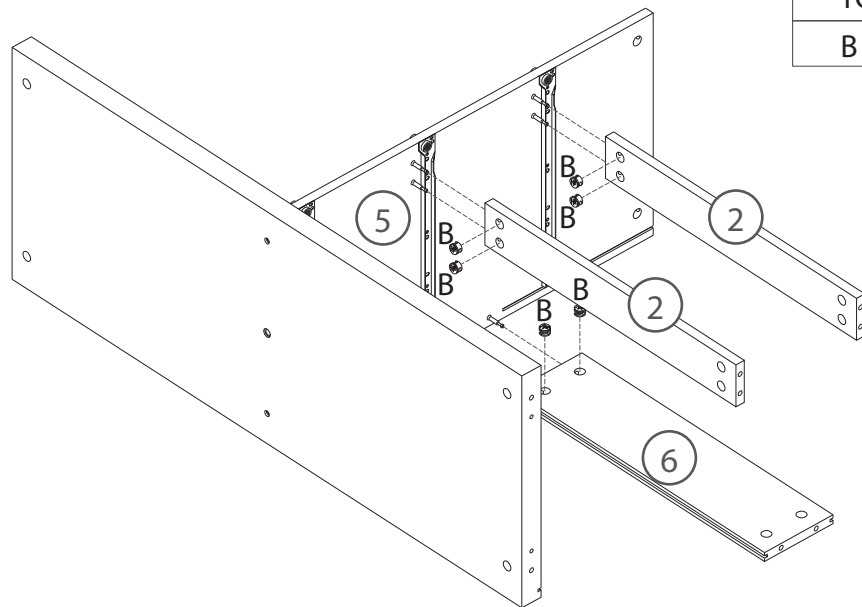
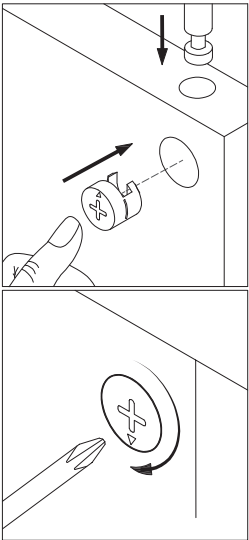


YOU WILL NEED

C x2

D x2

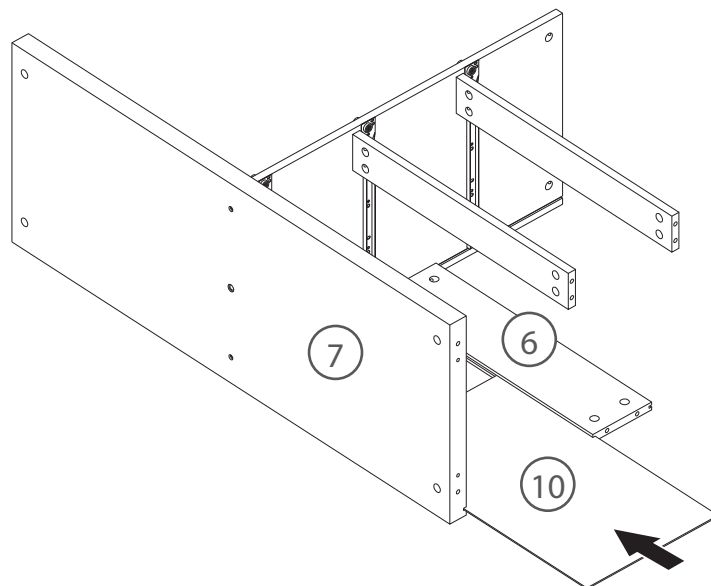
4



YOU WILL NEED

B x6

5

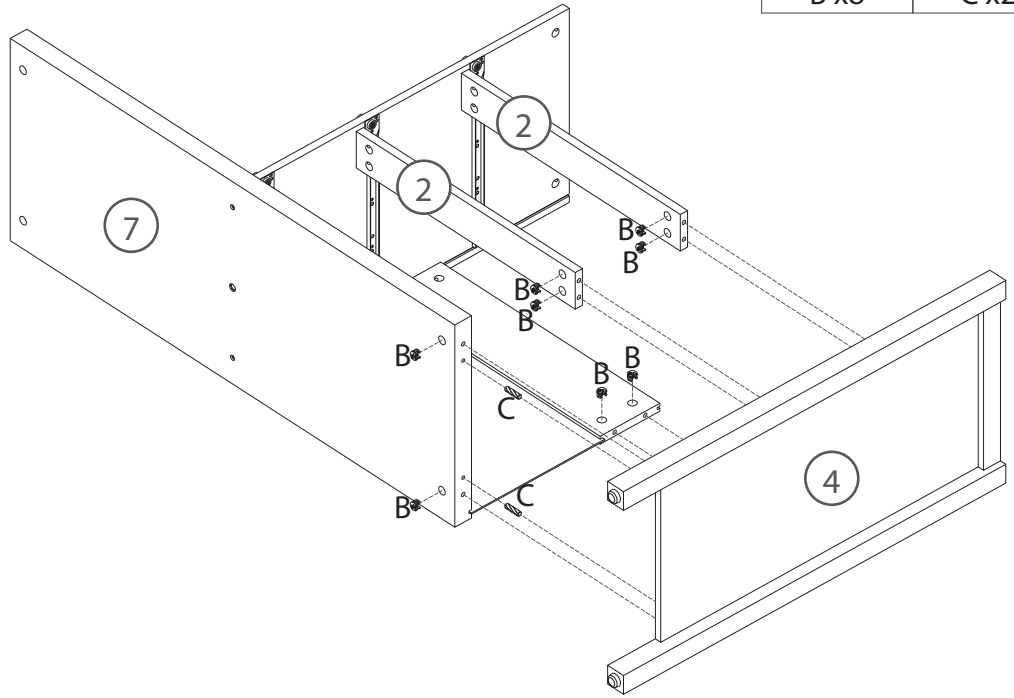
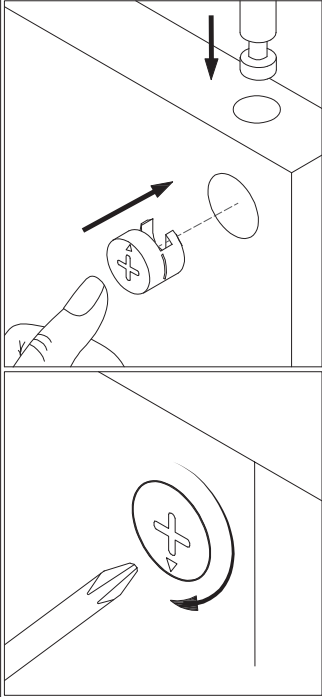


6

YOU WILL NEED

B x8

C x2



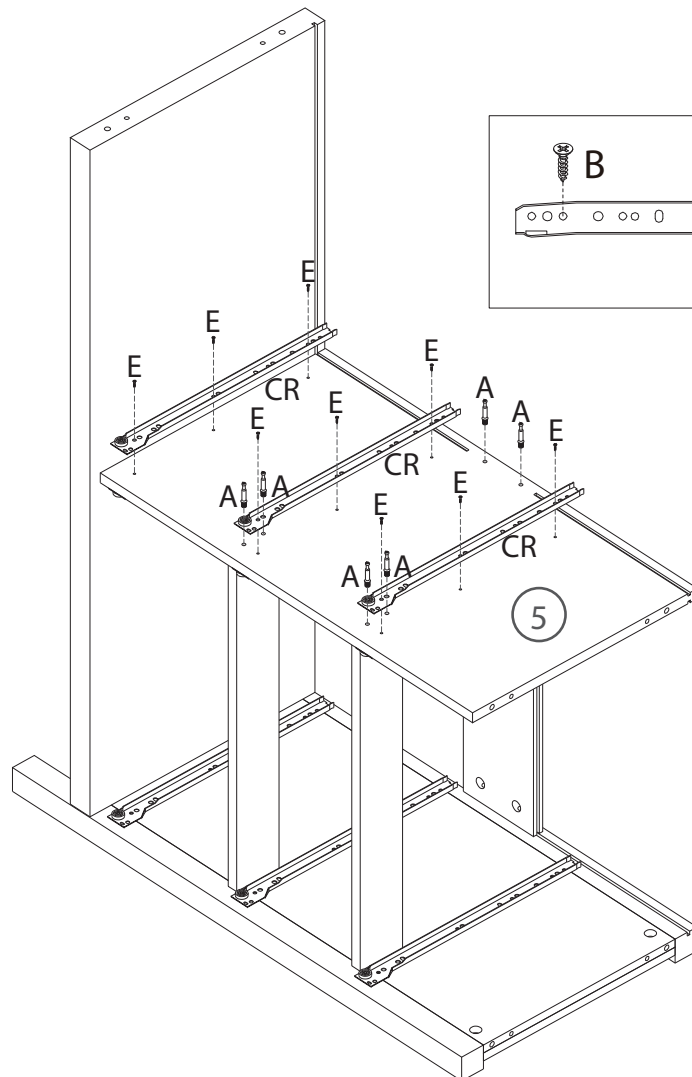
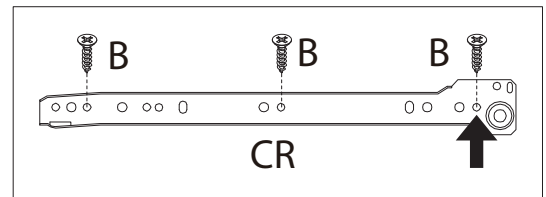
7

YOU WILL NEED

E x9

CR x3

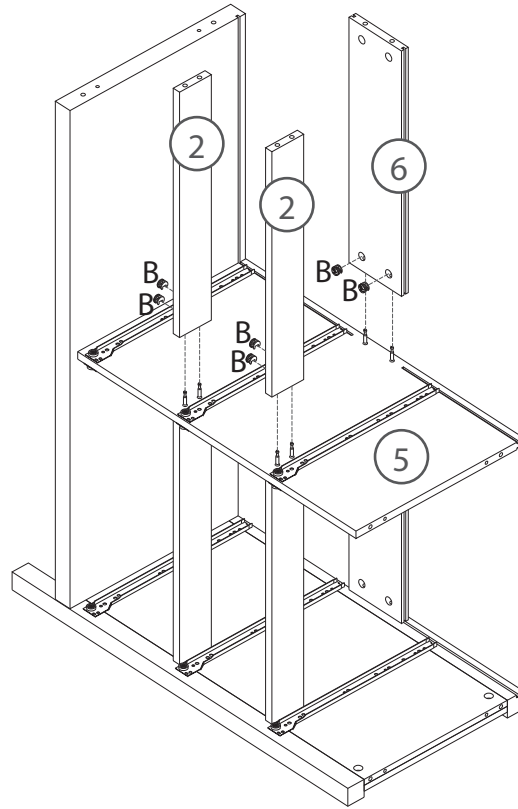
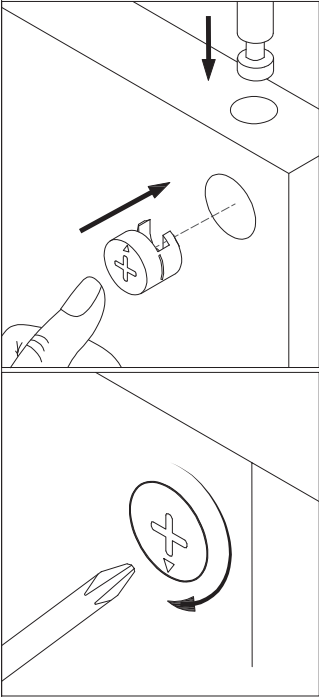
A x6



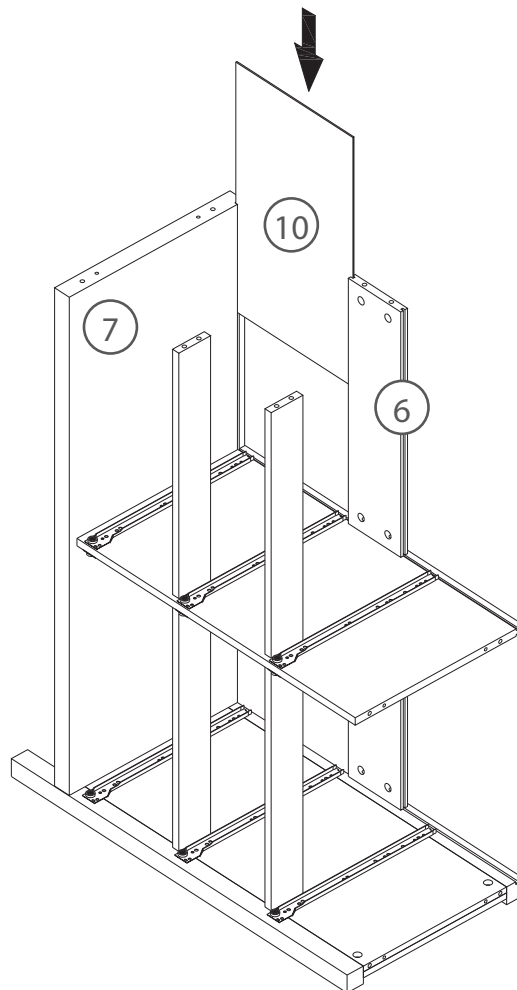
8

YOU WILL NEED

B x6



9

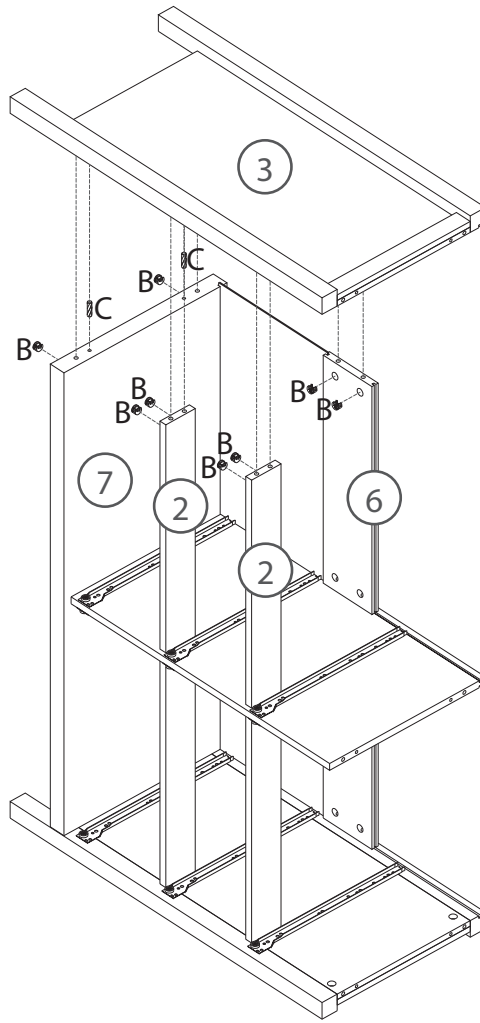
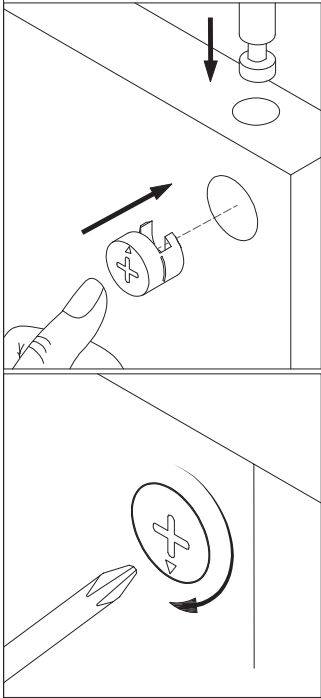


10

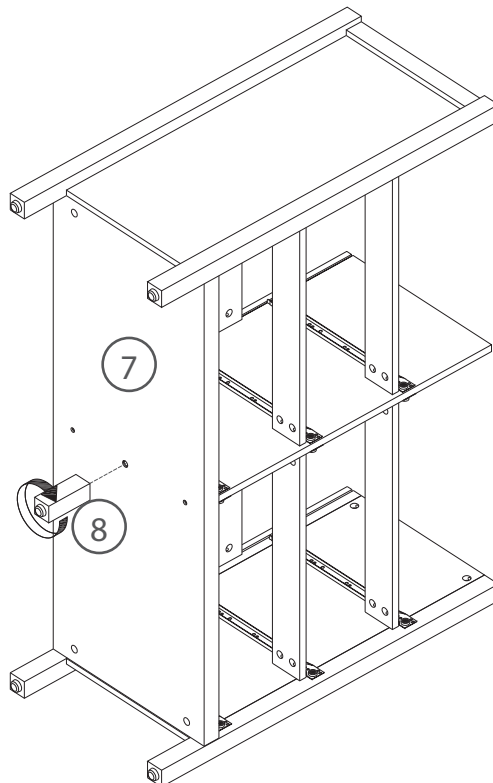
YOU WILL NEED

B x8

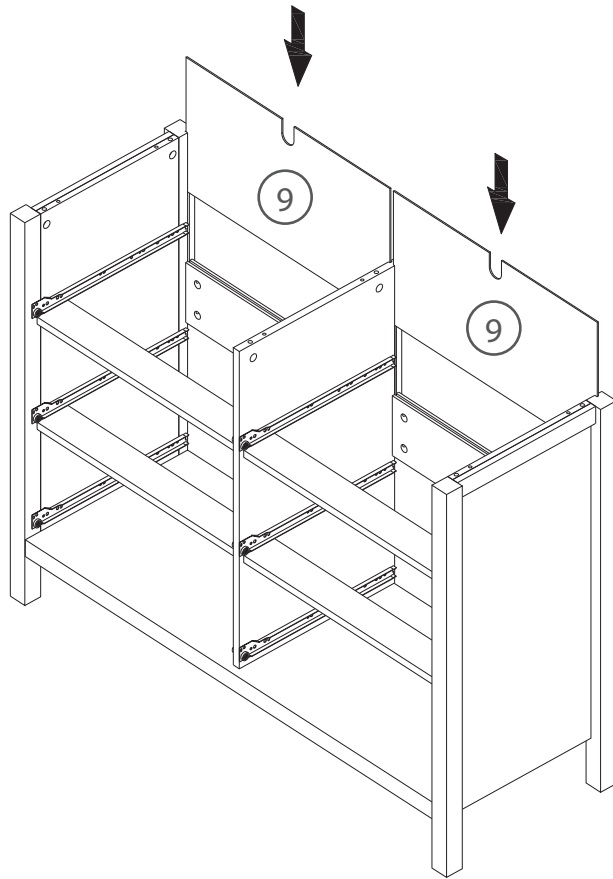
C x2



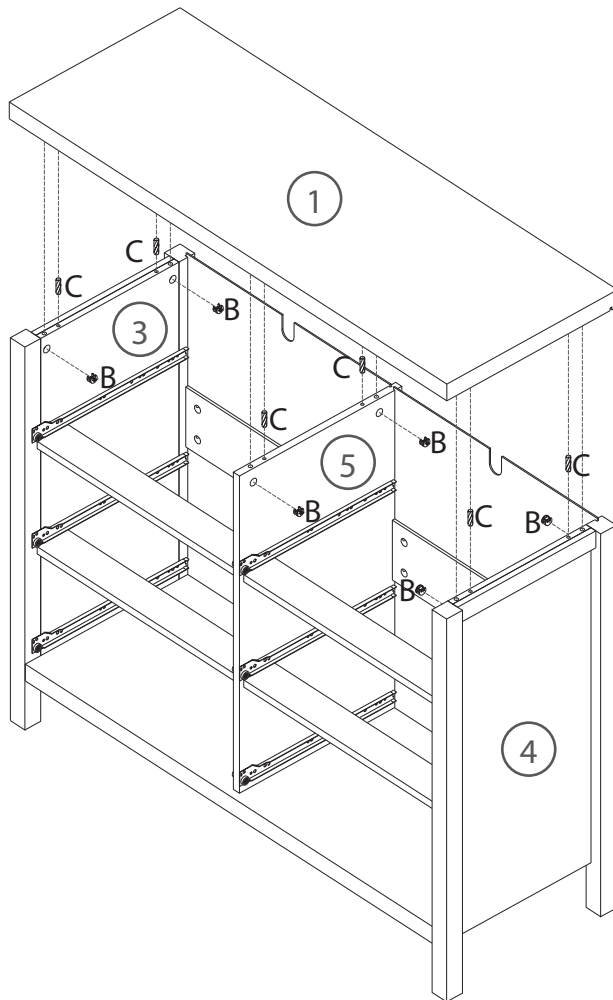
11



12



13



YOU WILL NEED

B x6

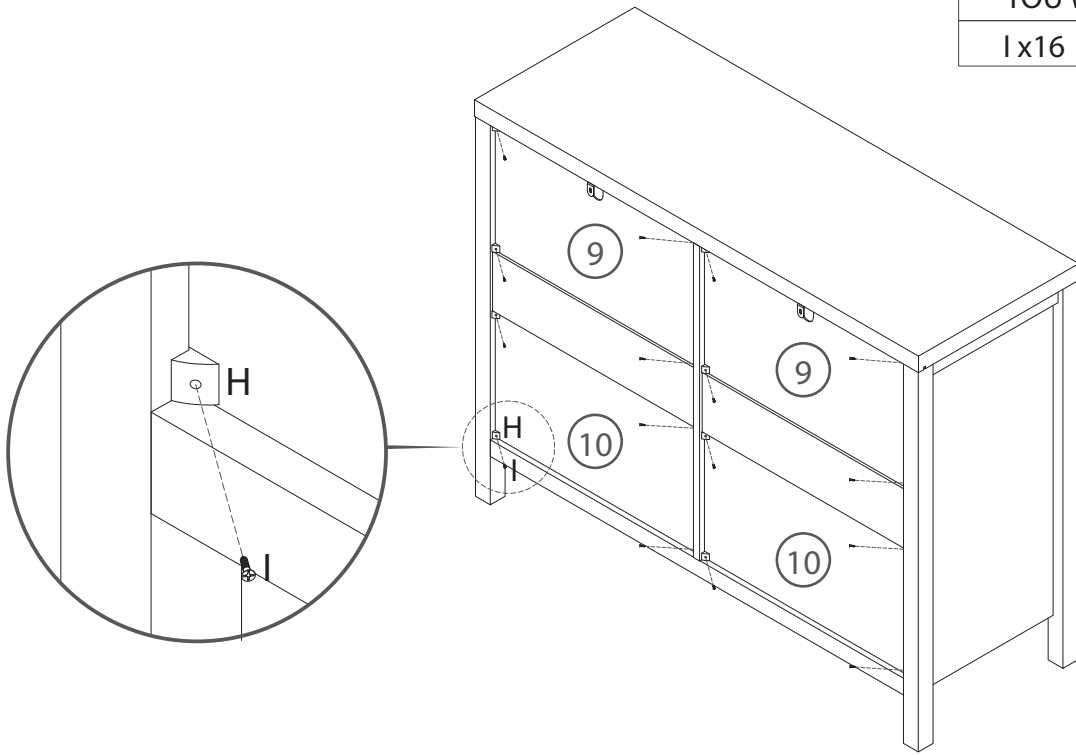
C x6

14

YOU WILL NEED

I x16

H x16

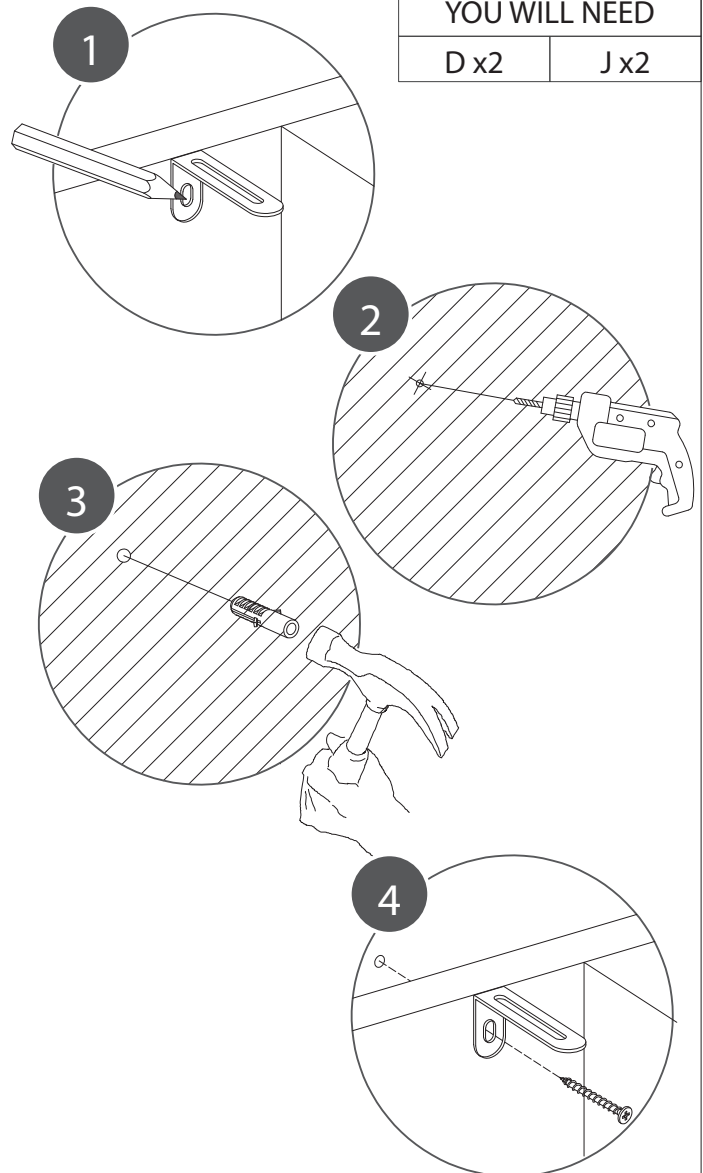
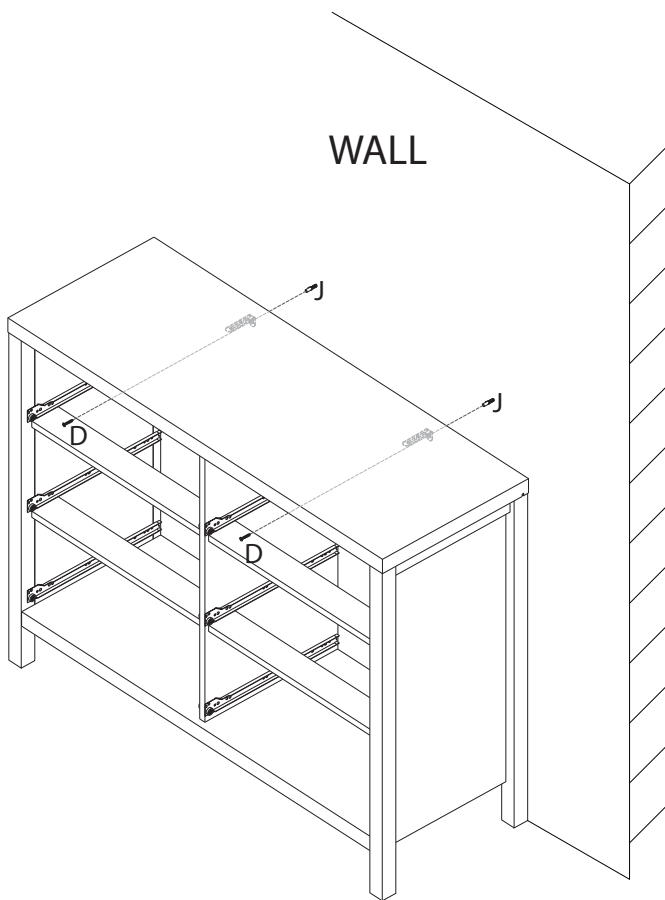


15

YOU WILL NEED

D x2

J x2

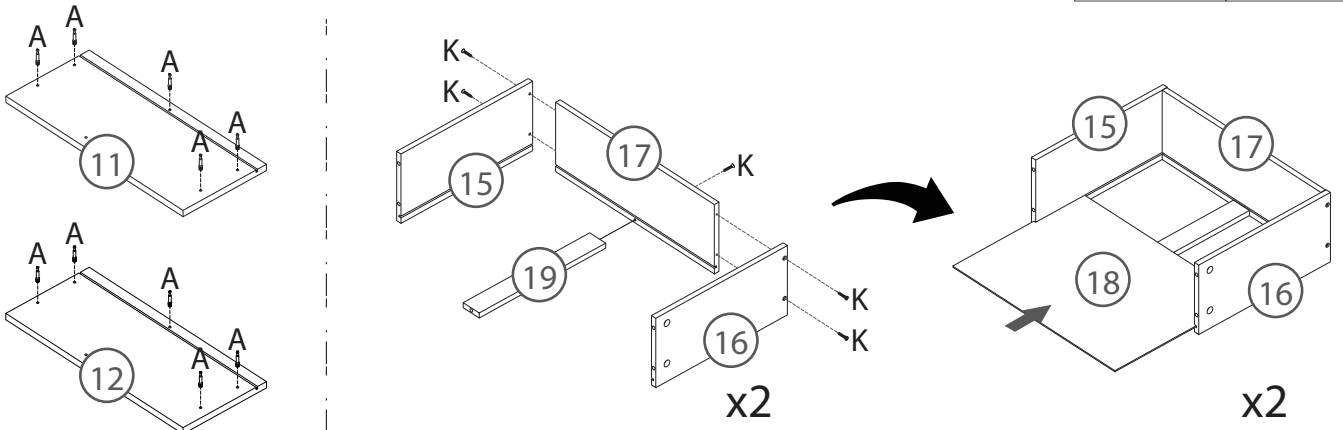


16

YOU WILL NEED

K x 10

A x 10



17

YOU WILL NEED

DR x 2

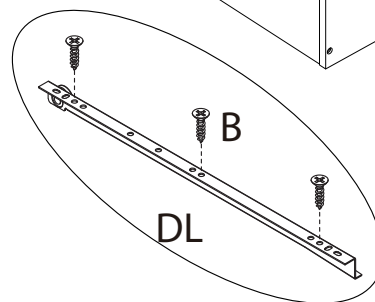
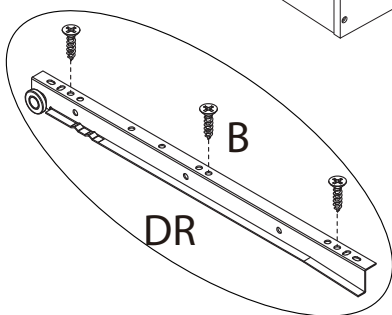
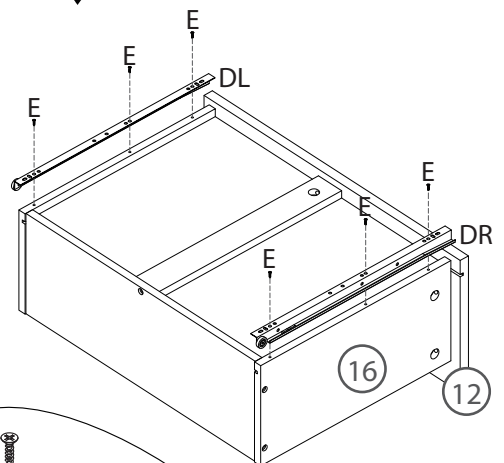
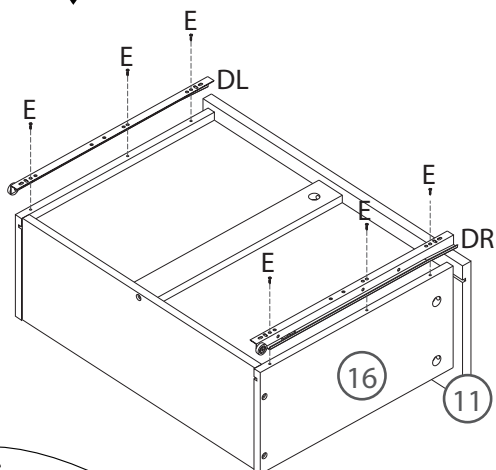
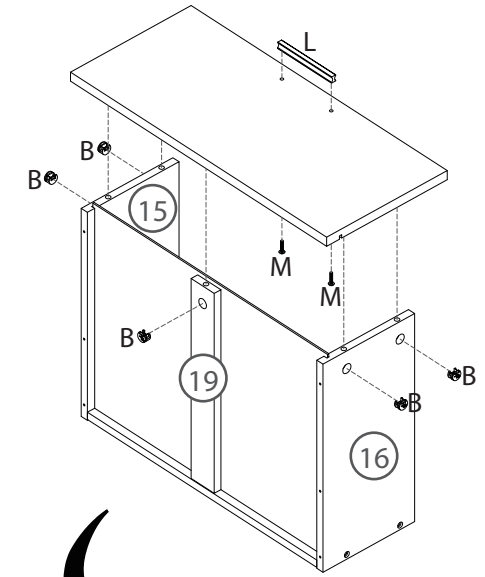
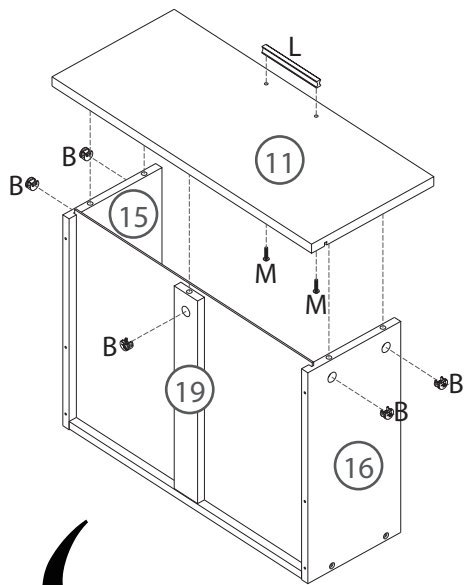
DL x 2

M x 4

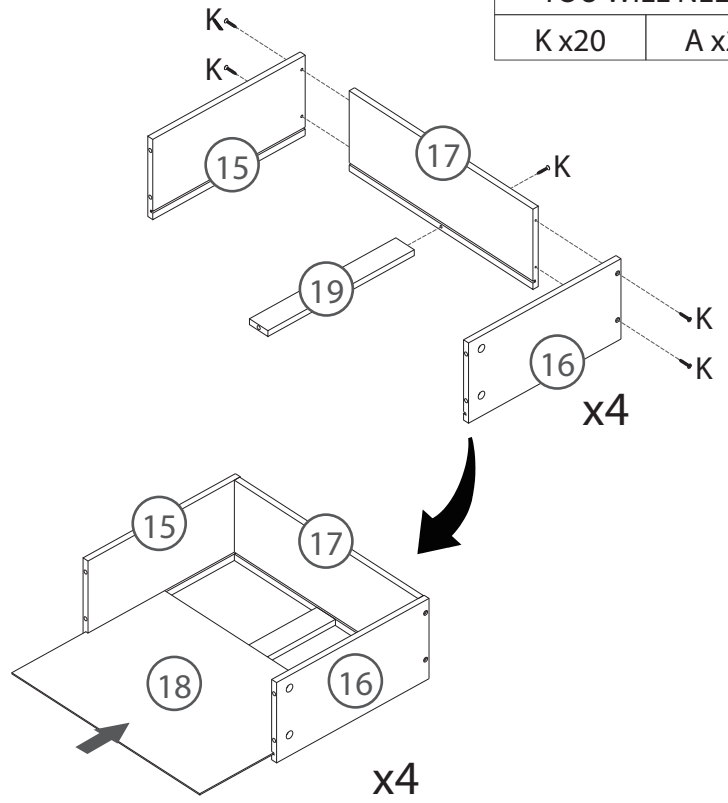
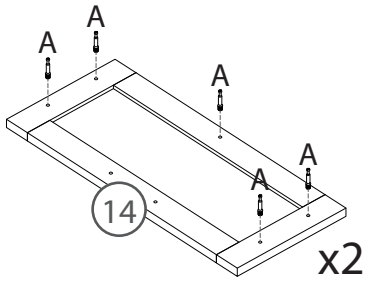
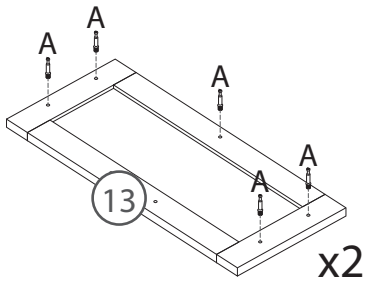
L x 2

B x 10

E x 12



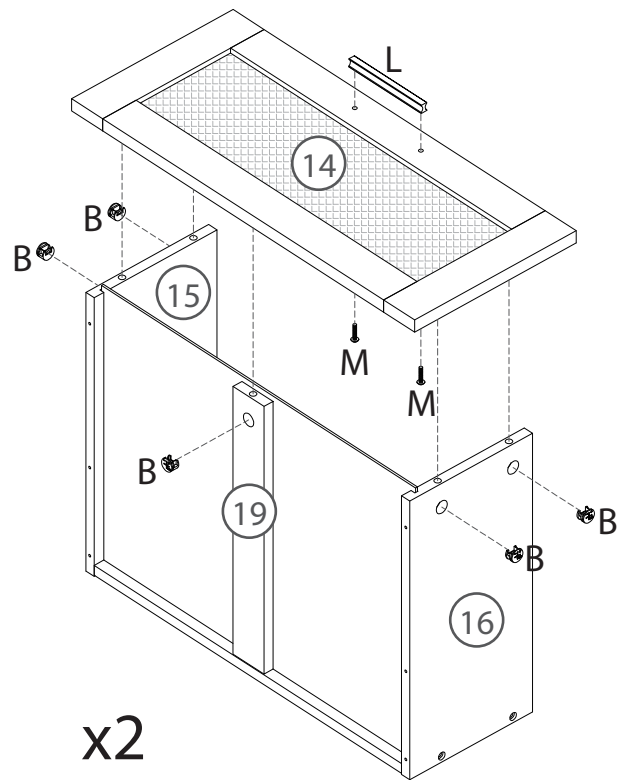
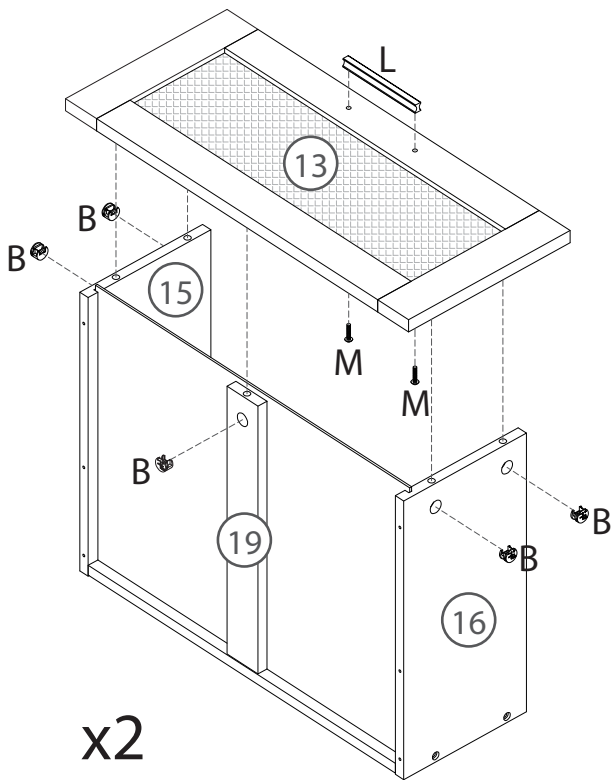
18



YOU WILL NEED	
K x20	A x20

19

YOU WILL NEED		
M x8	L x4	B x20



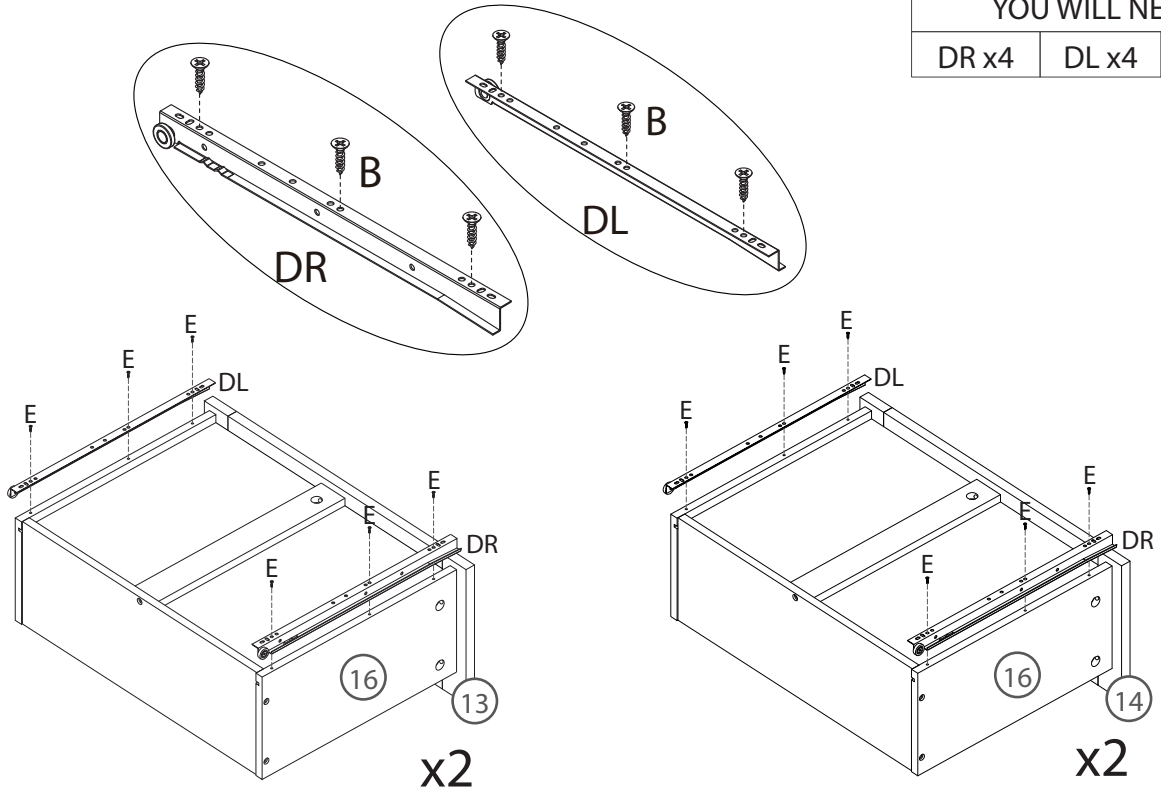
20

YOU WILL NEED

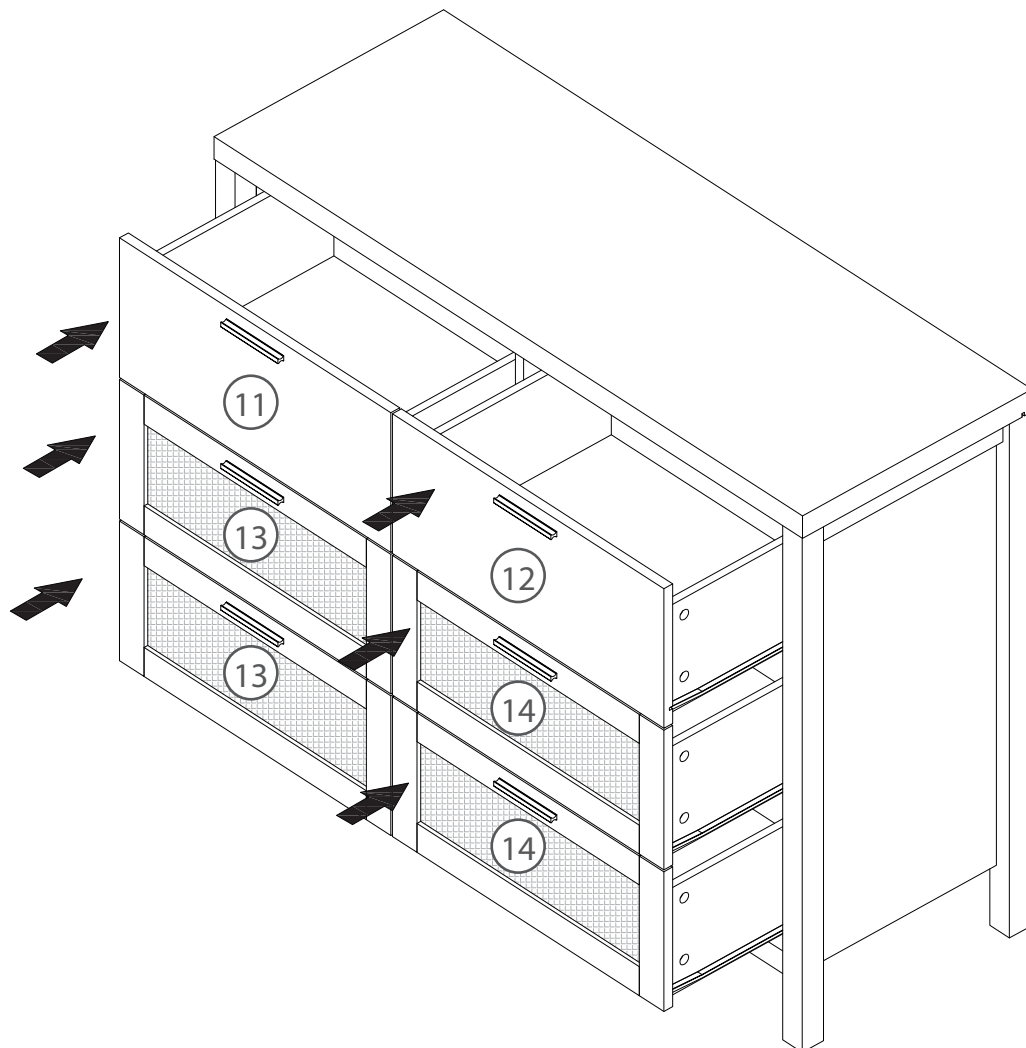
DR x4

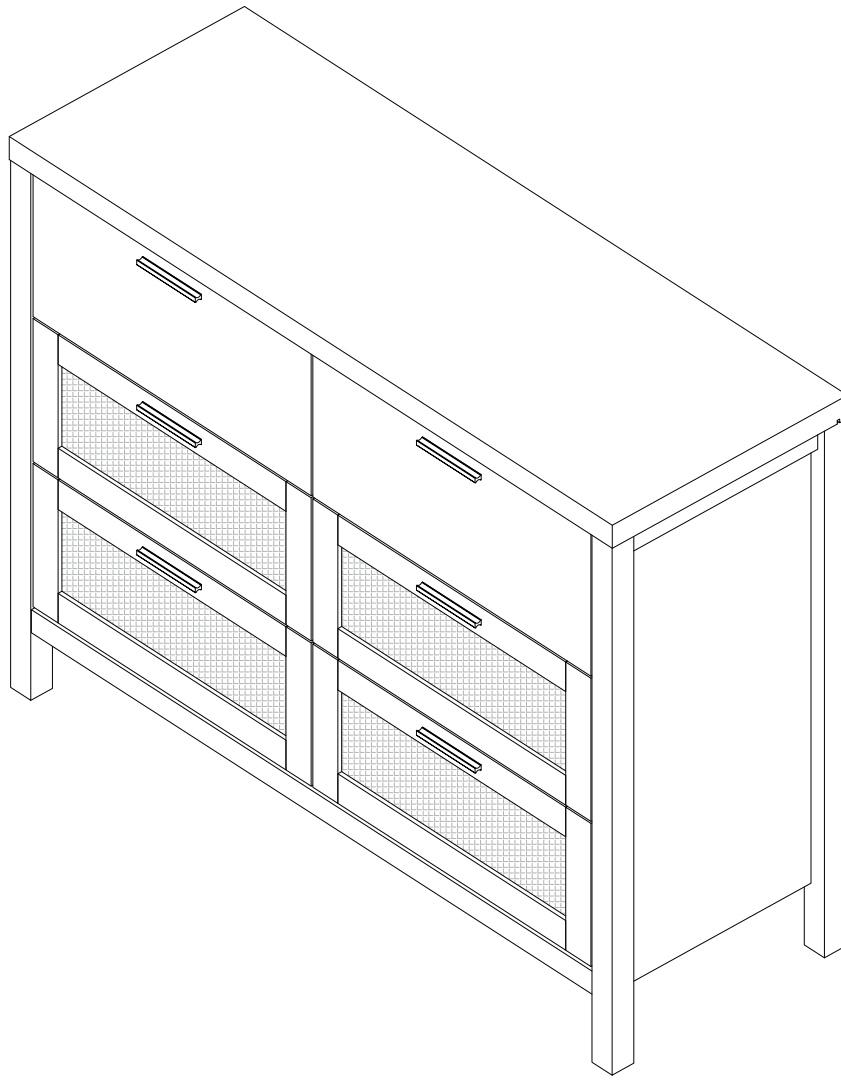
DL x4

E x24



21





## GUARANTEE

Drawer Dresser offers a 90-days warranty that begins on the date of the original purchase and applies to problems caused by the manufacturer. For questions, assistance, or support, please contact the Customer Service by e-mail with your order number and details. We will send you further information about the solution.

Made in China

