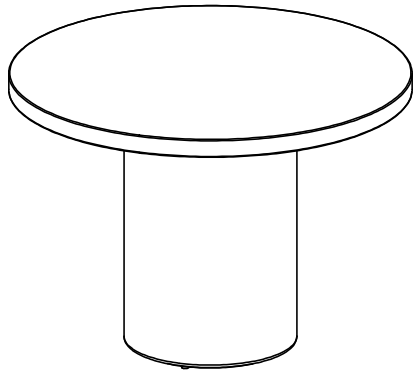


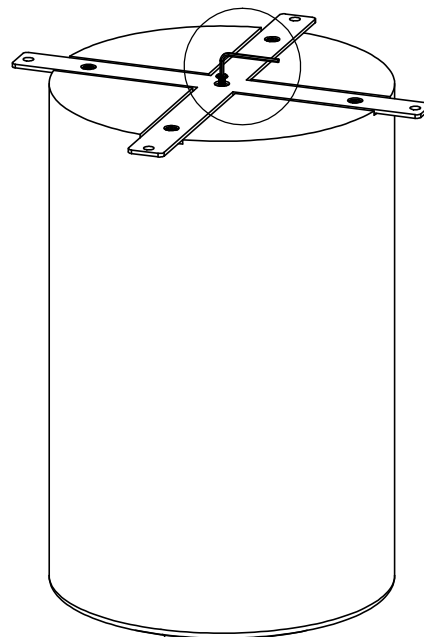
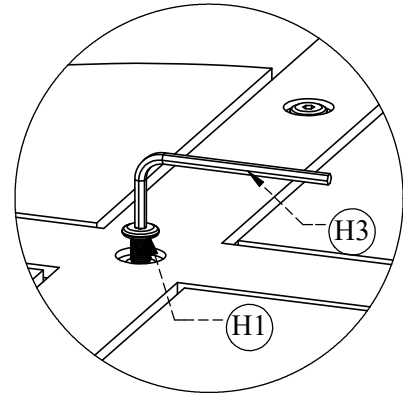
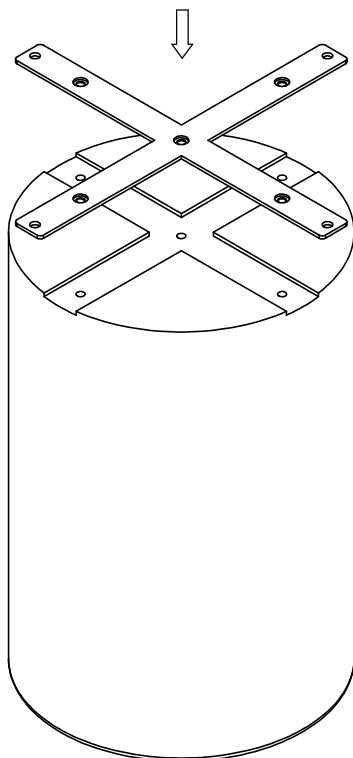
ASSEMBLY INSTRUCTION

MODEL: ROUND OUTDOOR DINING TABLE



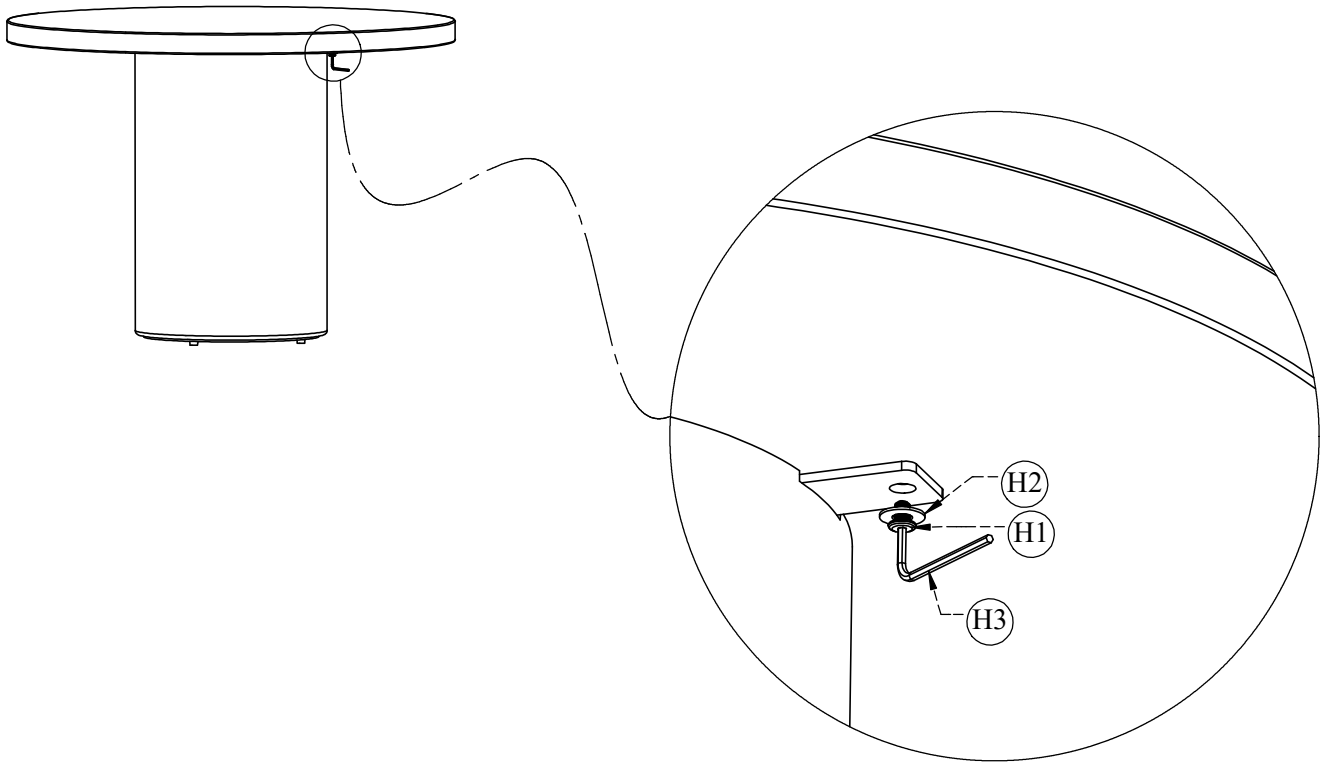
No	DESCRIPTION	IMAGE	Q'TY
H1	BOLT (ϕ 8X20)		9pcs
H2	WASHER (ϕ 19X16X1)		4pcs
H3	ALLEN KEY		1pc

Put the base stand on the ground,
after put connector on the base
and assemble



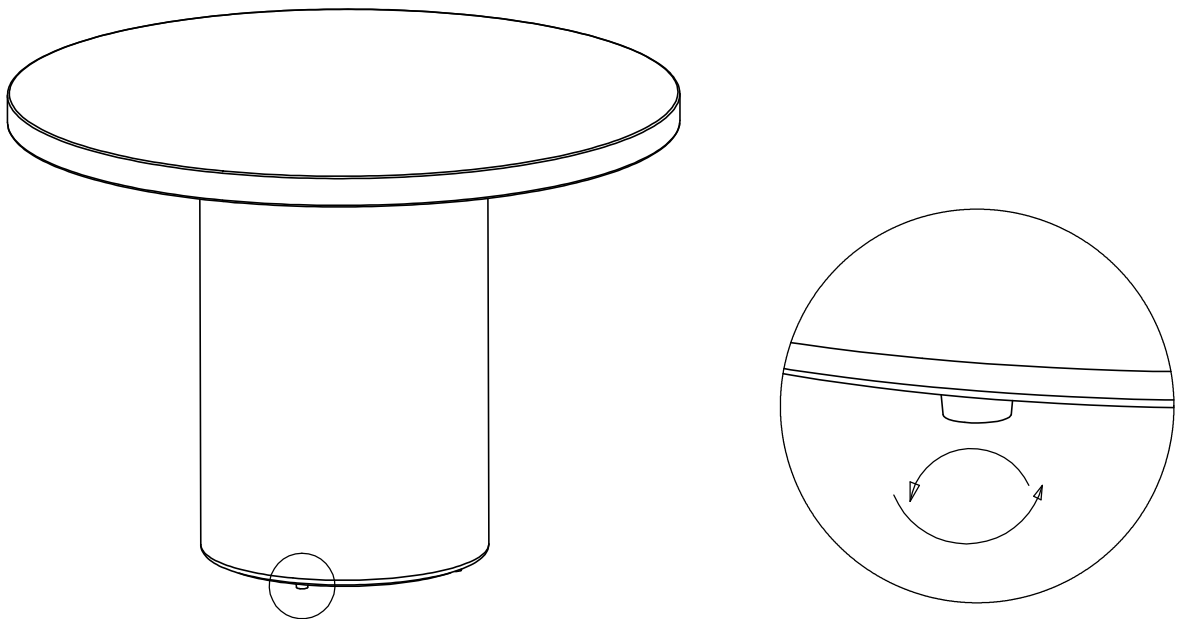
STEP1

Put the top on the base and assemble



STEP2

Completed assembly



Adjust leveler for the
flat table top