

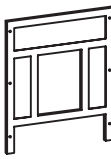

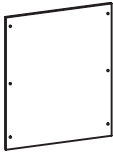


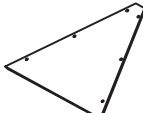
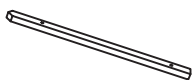

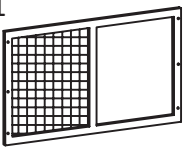
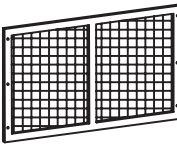
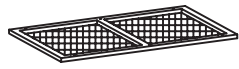
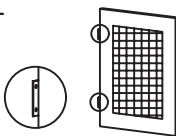
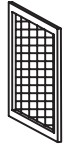




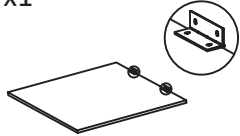



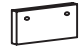



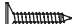





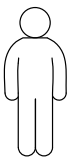
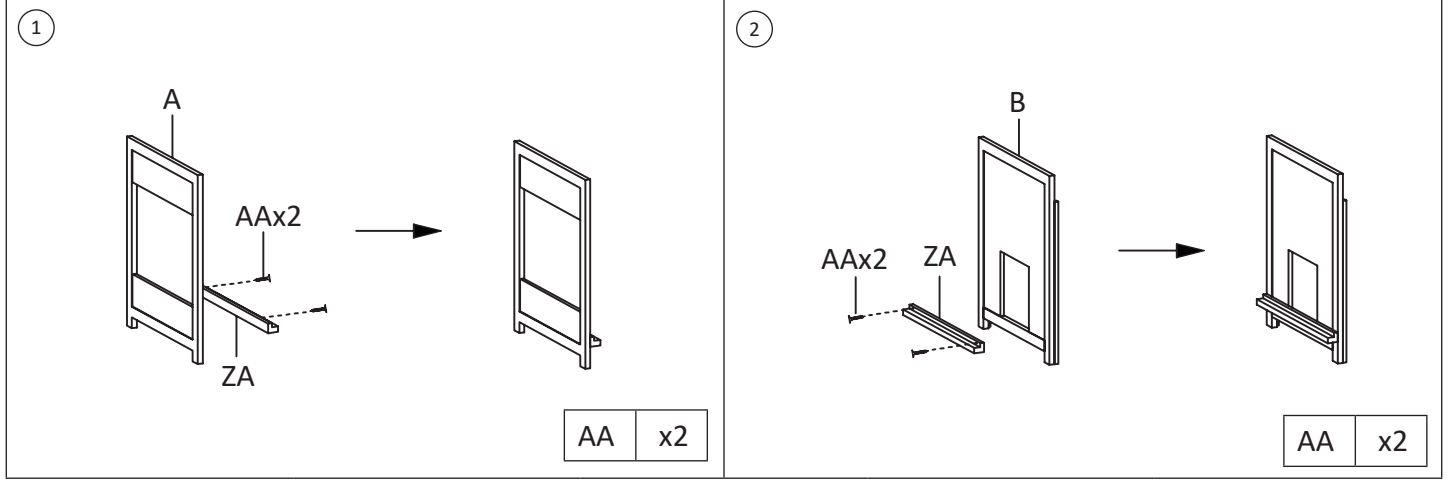
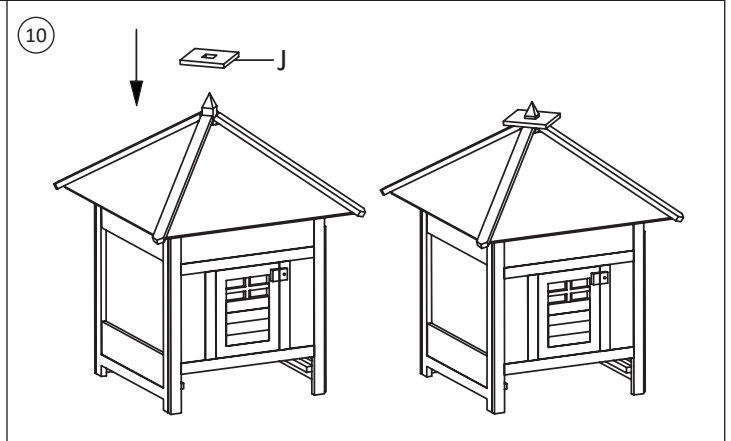
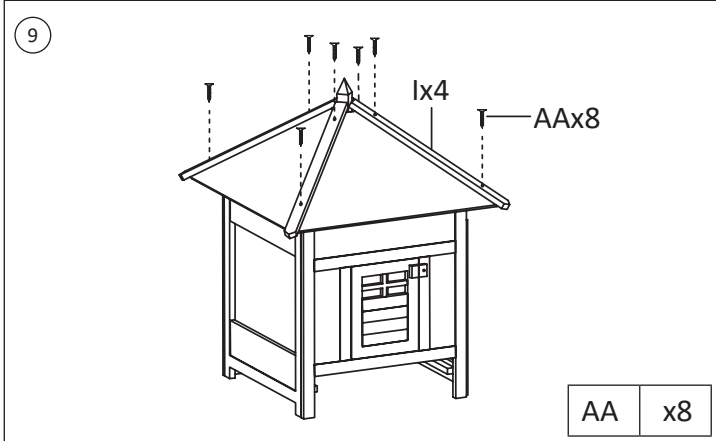
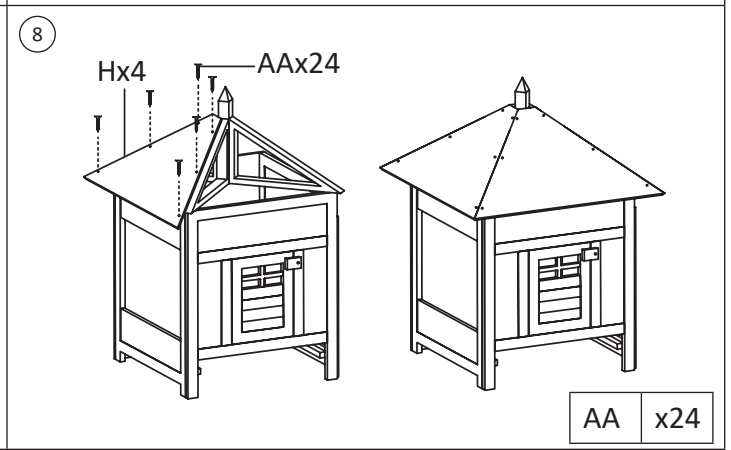
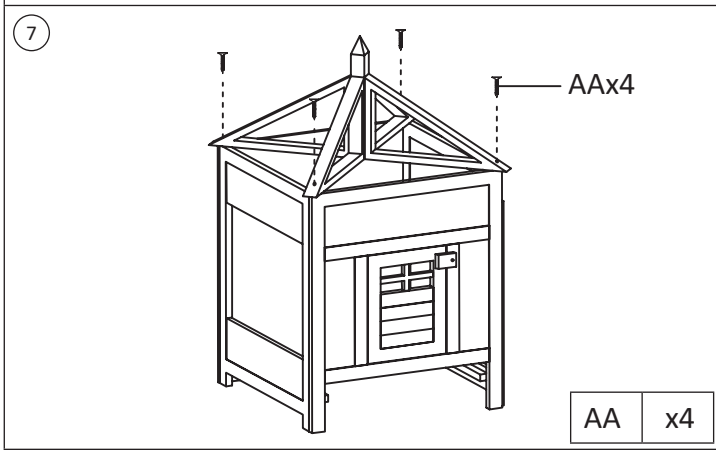
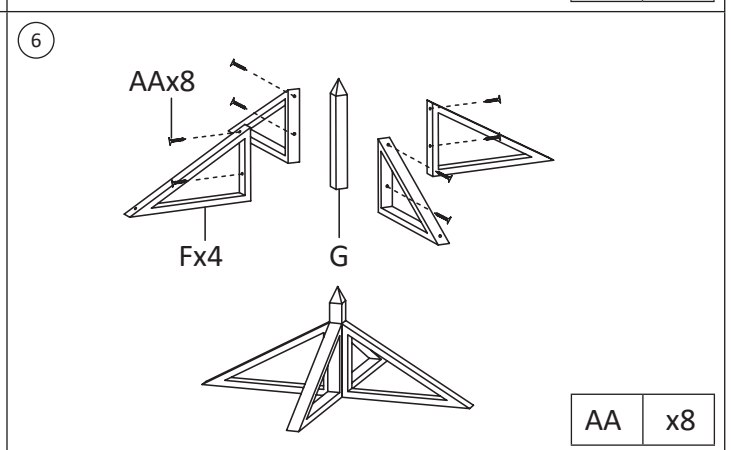
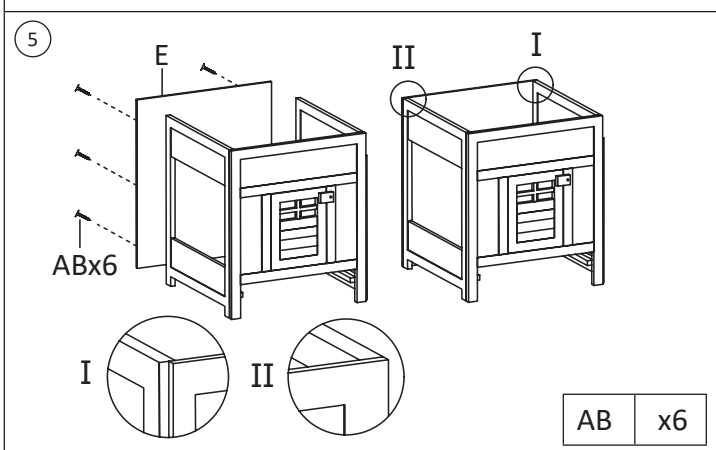
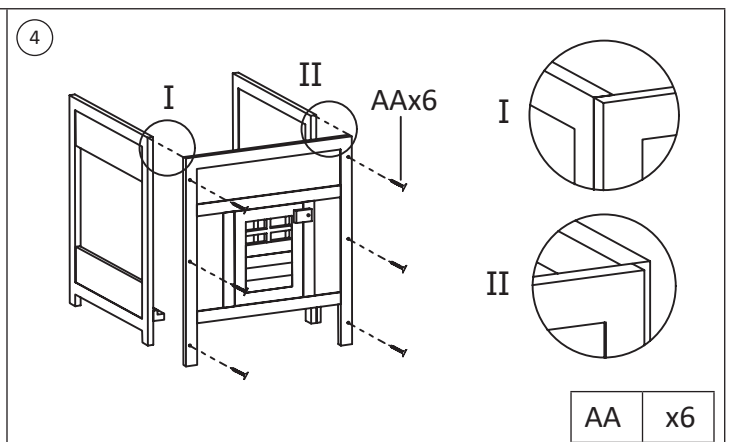
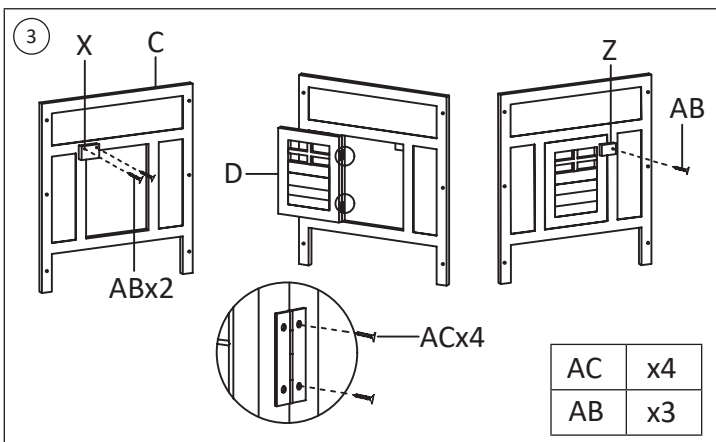
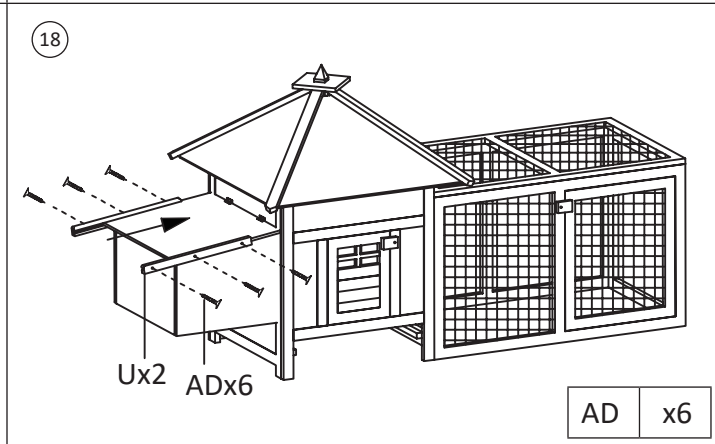
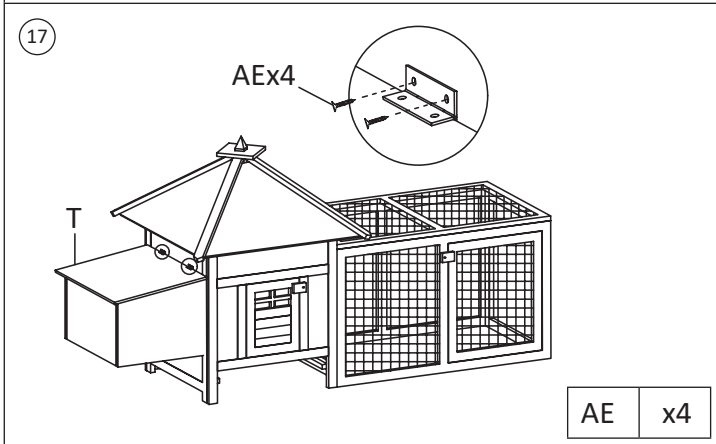
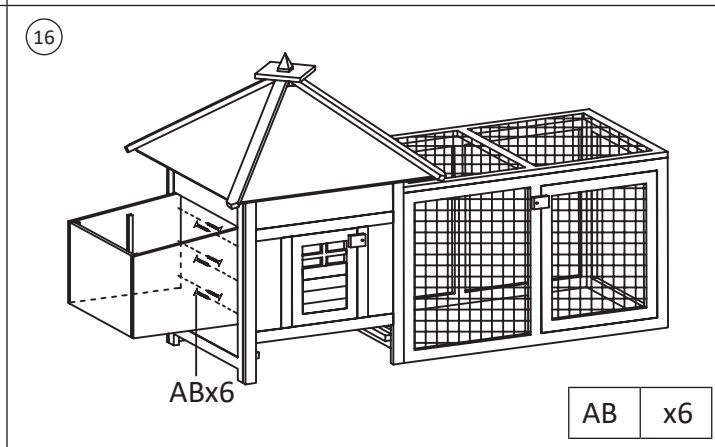
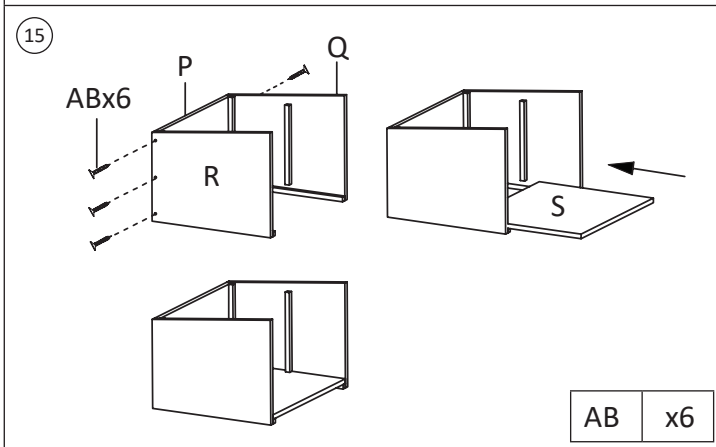
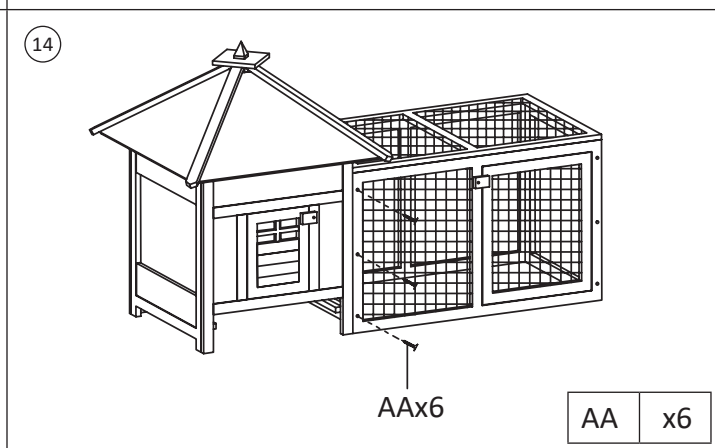
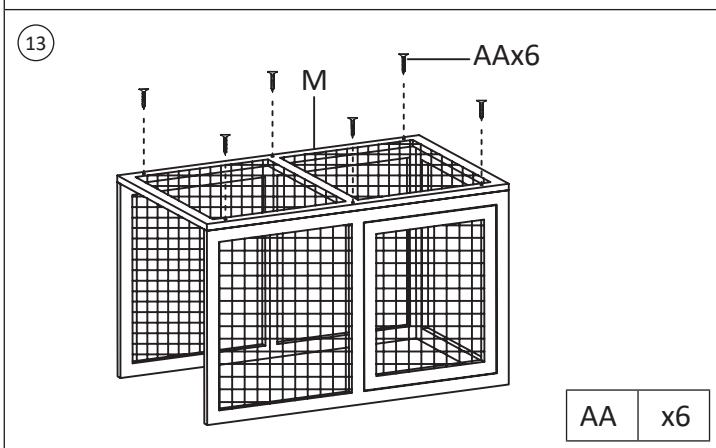
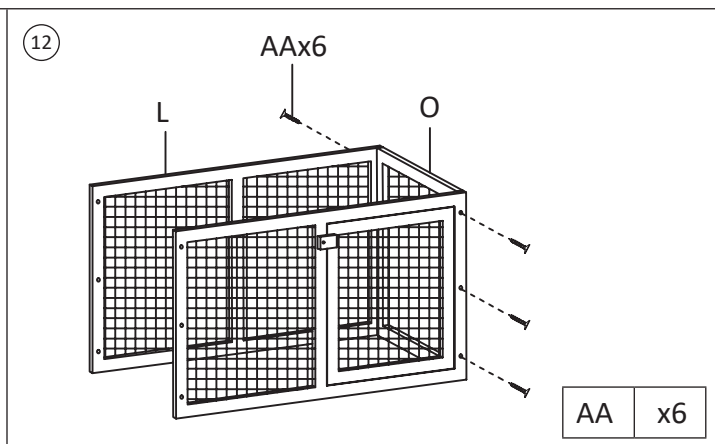
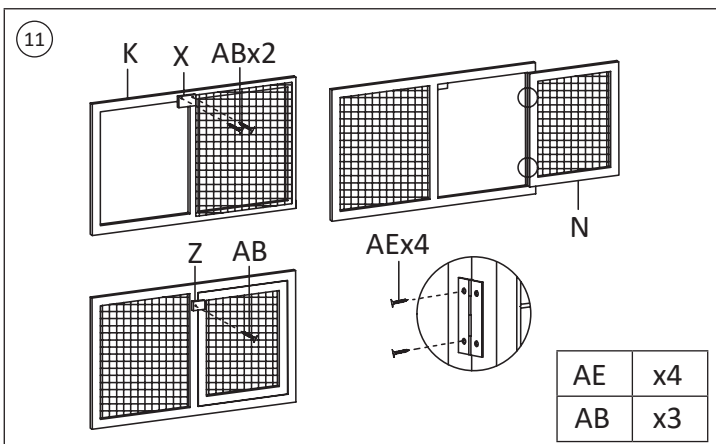


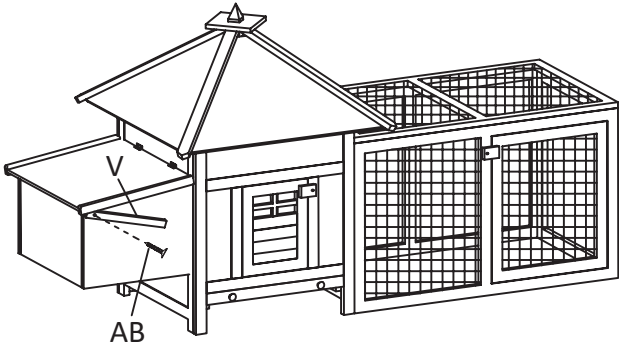
Ax1 	Bx1 	Cx1 	Dx1 	Ex1 
Fx4 	Gx1 	Hx4 	Ix4 	Jx1 
Kx1 	Lx1 	Mx1 	Nx1 	Ox1 
Px1 	Qx1 	Rx1 	Sx1 	Tx1 
Ux2 	Vx1 	Wx1 	Xx2 	Yx2 
Zx2 	ZAx2 	AAx72  M3x $\frac{25}{1.0}$	ABx25  M3x $\frac{20}{0.8}$	ACx4  M2x $\frac{10}{0.4}$
ADx6  M2.5x $\frac{18}{0.7}$	AEx8  M2.5x $\frac{12}{0.5}$		 mm inch x2	





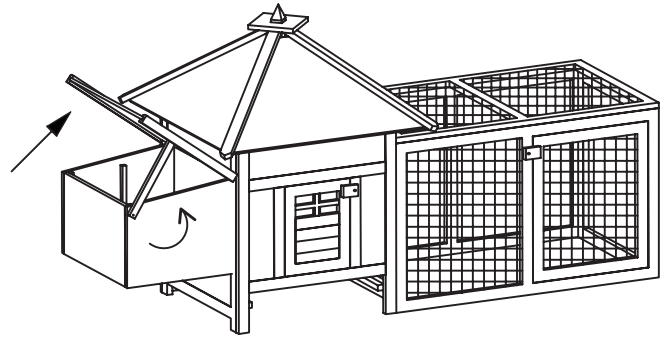


19

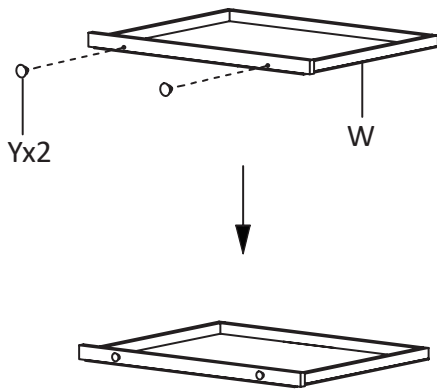


AB x1

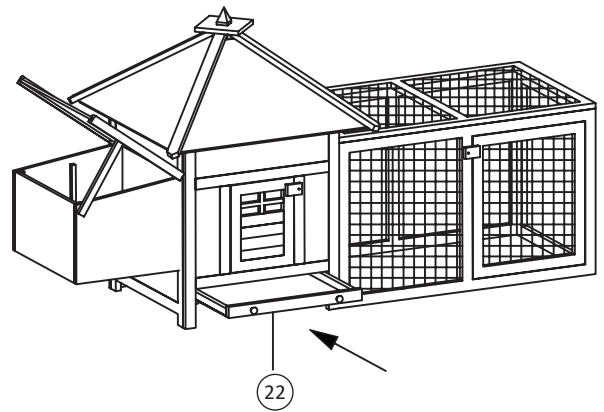
20



21



22



23

