

V-shape Barn Door

Installation Guide

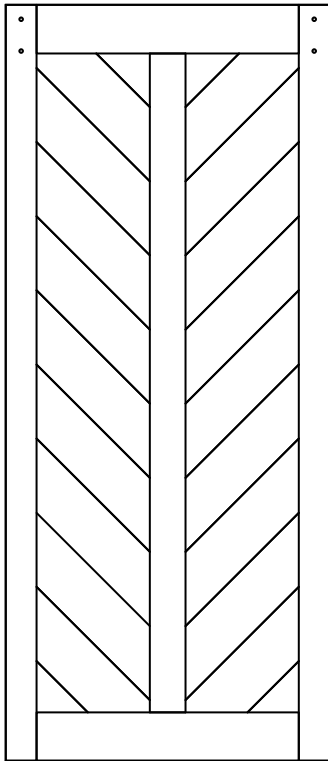
In case of questions or missing parts, please contact



Scan Here For Latest Version
(BD06-Barn Doors)

✉ Dooraftersale@gmail.com

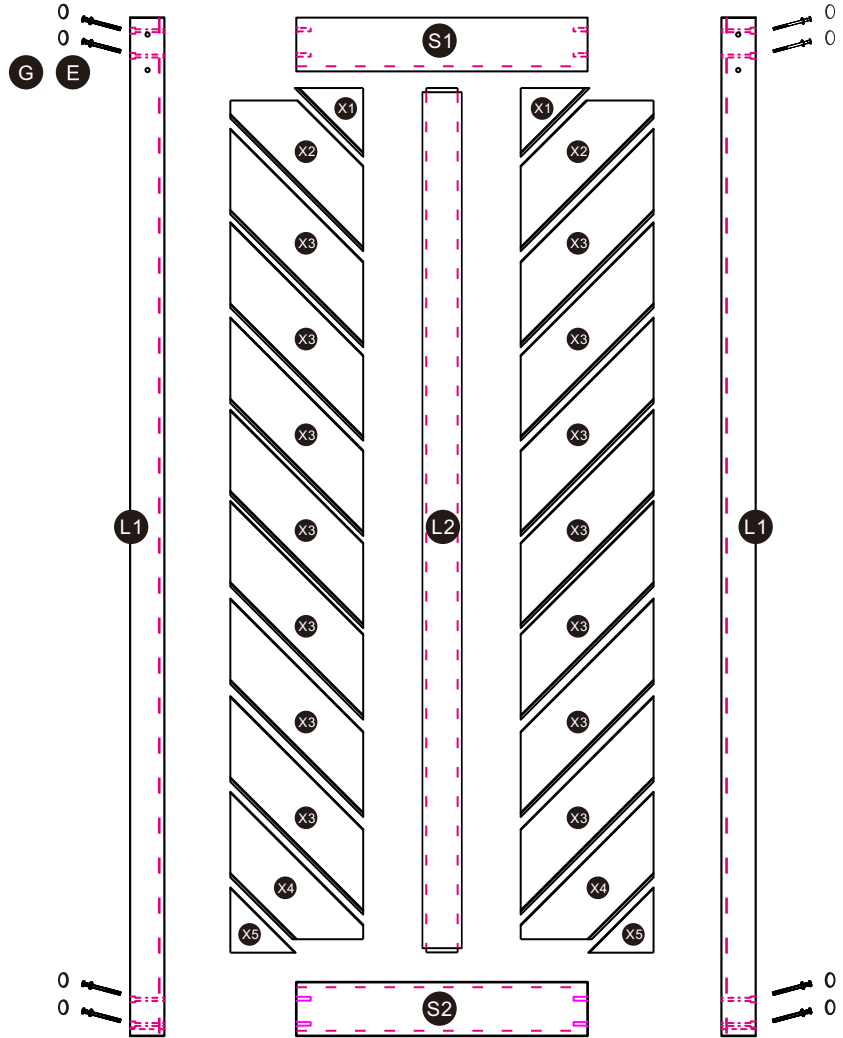
Assembly Diagram



2 PERSON
ASSEMBLY

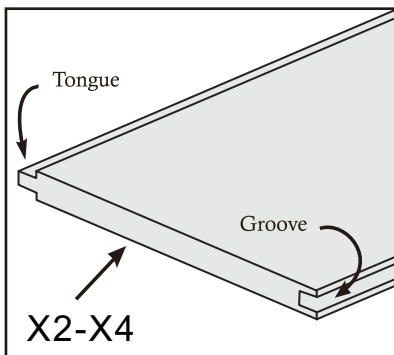


UP TO 30 MIN.
ASSEMBLY



*Note: S1 S2 must be the same place as above

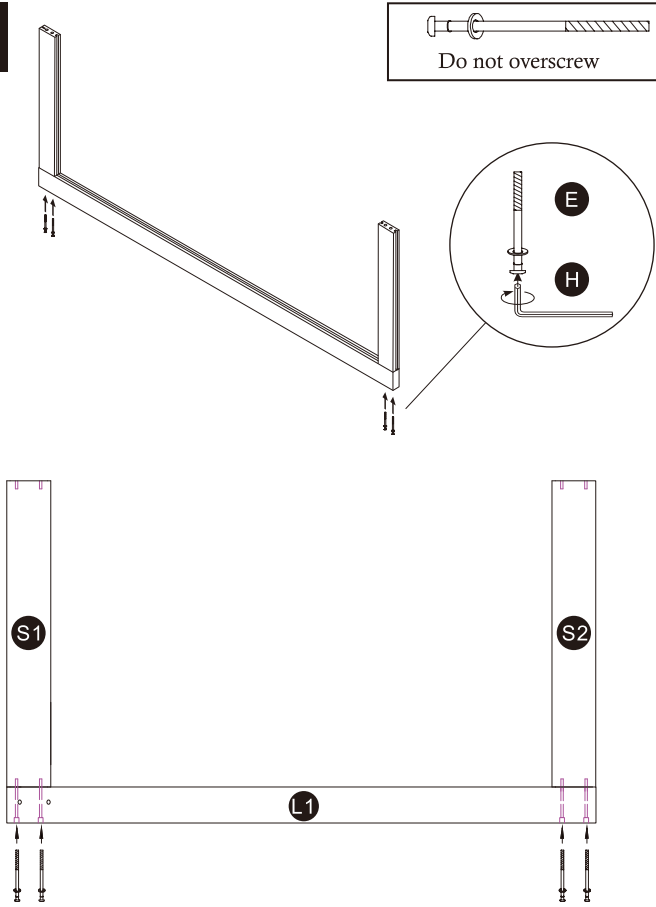
Hardware List



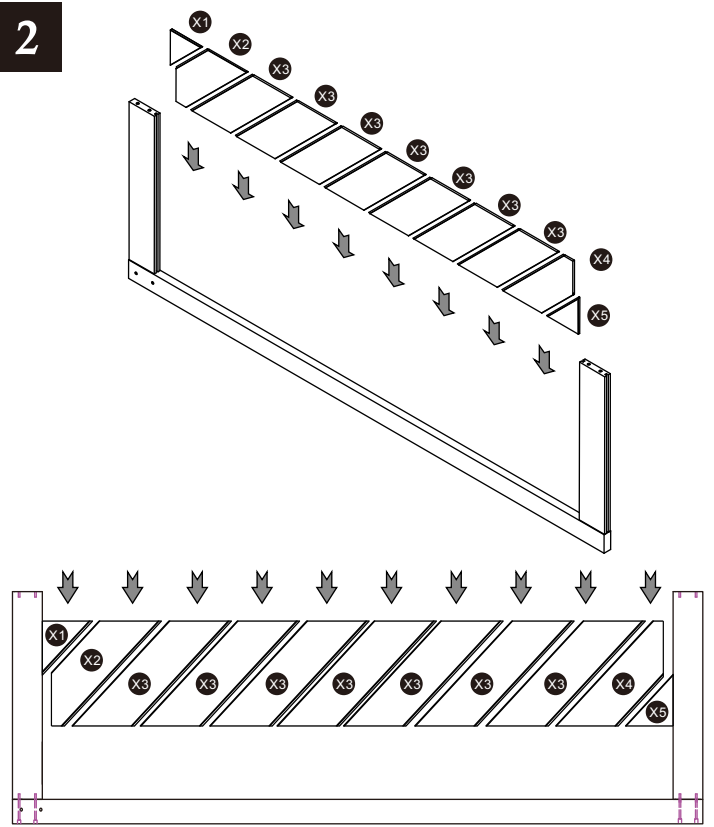
L1 x 2 pcs	L2 x 1 pcs	X1 x 2 pcs	X2 x 2 pcs	X3 x 2 pcs	X4 x 2 pcs	X5 x 2 pcs
S1 x 1 pcs	S2 x 1 pcs	G x 8 pcs	E 4inch x 8 pcs	H x 1 pcs		

Assembly Steps

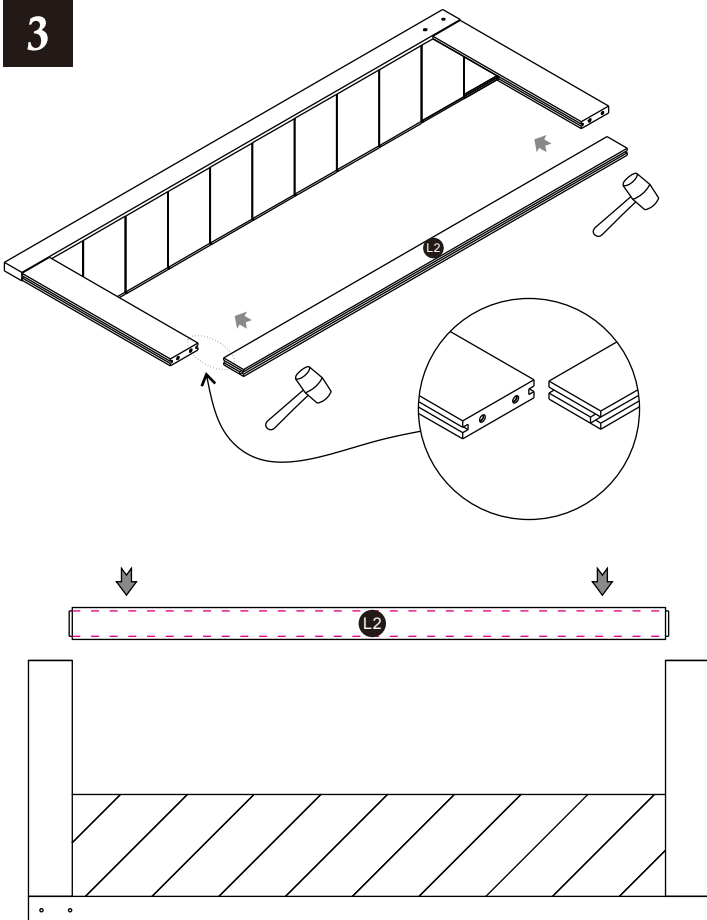
1



2



3



4

