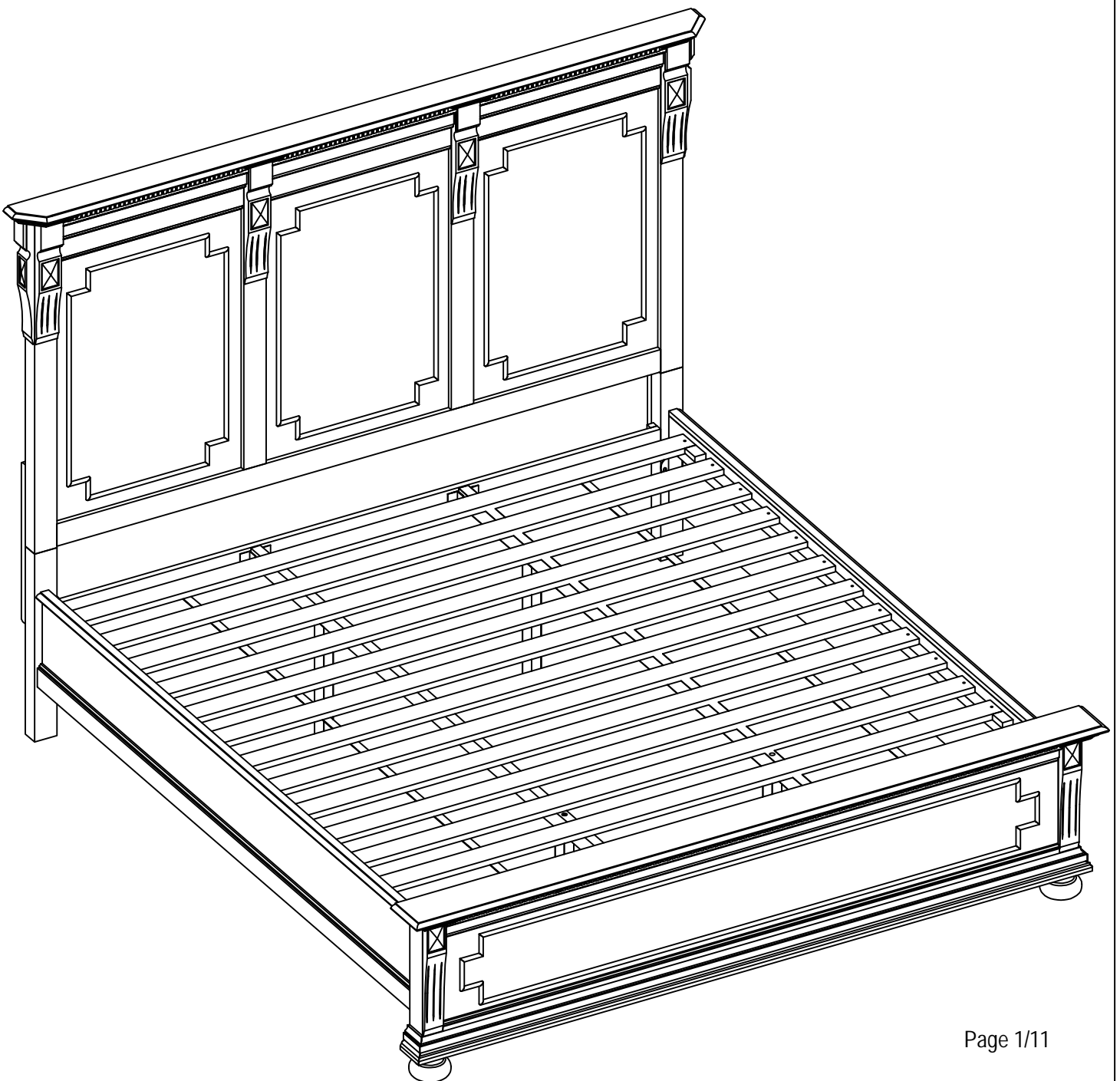


KING BED

ASSEMBLY INSTRUCTIONS



IMPORTANT SAFETY INSTRUCTIONS:

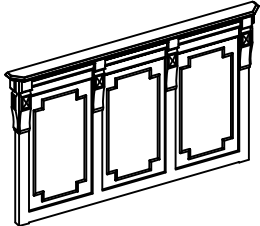
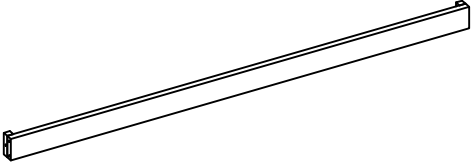



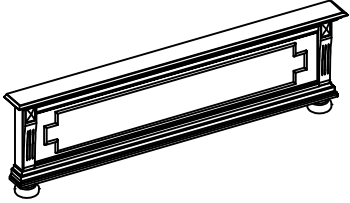

- Read all instructions carefully before unpacking assembly parts. Sharp, exposed staple tips can cause injury. For your protection, please remove any exposed staples used in packing.
- For your safety, assembly by two or more adults is recommended
- Use only vendor supplied hardware to assemble. Using unauthorized hardware could jeopardize the structural integrity of the item.
- Keep instructions for future use.
- Intended for residential use only.
- Keep small parts and hardware out of the reach of children.

PRE-ASSEMBLY INSTRUCTIONS:

- Remove all parts and hardware from the box and place them on a carpeted or scratch-free work surface.
- To avoid accidentally discarding small parts or hardware, please do not dispose of any contents until assembly is complete.
- Prior to starting assembly, use the parts and hardware lists to identify and separate each of the pieces
- Do not over-tighten screws or bolts.

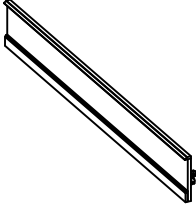
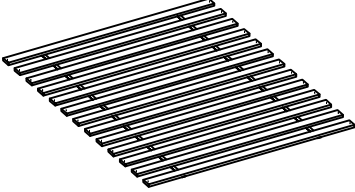

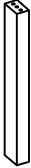
TABLE OF CONTENTS	
Parts List	page 3-4
Hardware List	page 5
Assembly Instructions	page 6-9
Care & Maintenance	page 10
Warnings	page 11

PARTS LIST

PART	PICTURE	PART DISCIPTION	QTY
A		PANEL HEADBOARD	1
B		HORIZONTAL STRETCHER	1
C		LEG (Left)	1
D		LEG (Right)	1
E		CONECT BAR	2
F		FOOTBOARD	1
G		LEGS	2

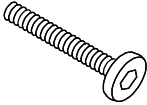
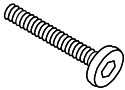
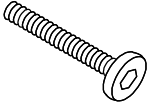
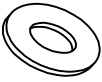

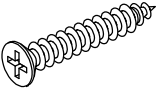
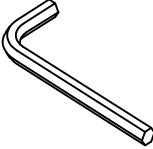
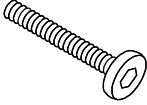

Thank you for your purchase. Be sure to check all packing material carefully for small parts which may have come loose inside the carton during shipment. Identify and count all parts and compare with the parts and hardware lists.

PARTS LIST

PART	PICTURE	PART DISCRIPTION	QTY
H		SIDE RAILS	2
I		SLATS	13
J		CENTER RAILS	2
K		SUPPORT LEGS	4

Thank you for your purchase. Be sure to check all packing material carefully for small parts which may have come loose inside the carton during shipment. Identify and count all parts and compare with the parts and hardware lists.

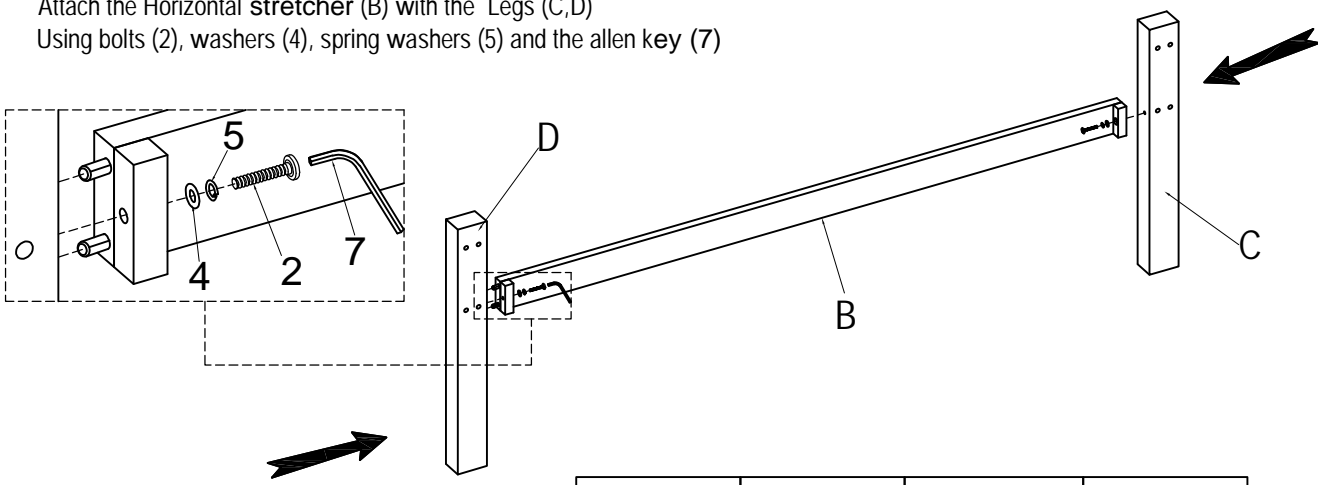
HARDWARE LIST

PART	PICTURE	PART DISCRIPTION	QTY
1		BOLTS (M8x50)	16
2		BOLTS (M6x40)	2
3		BOLTS (M8x30)	8
4		WASHER (M8x2x19)	26
5		SPRING WASHER (M8x1.2x13)	26
6		SCREWS (Ø4x30)	26
7		ALLEN KEY (M4x59)	1
8		BOLTS (M6x50)	4
9		DOWEL (Ø8x30)	8

Thank you for your purchase. Be sure to check all packing material carefully for small parts which may have come loose inside the carton during shipment. Identify and count all parts and compare with the parts and hardware lists.

STEP 1

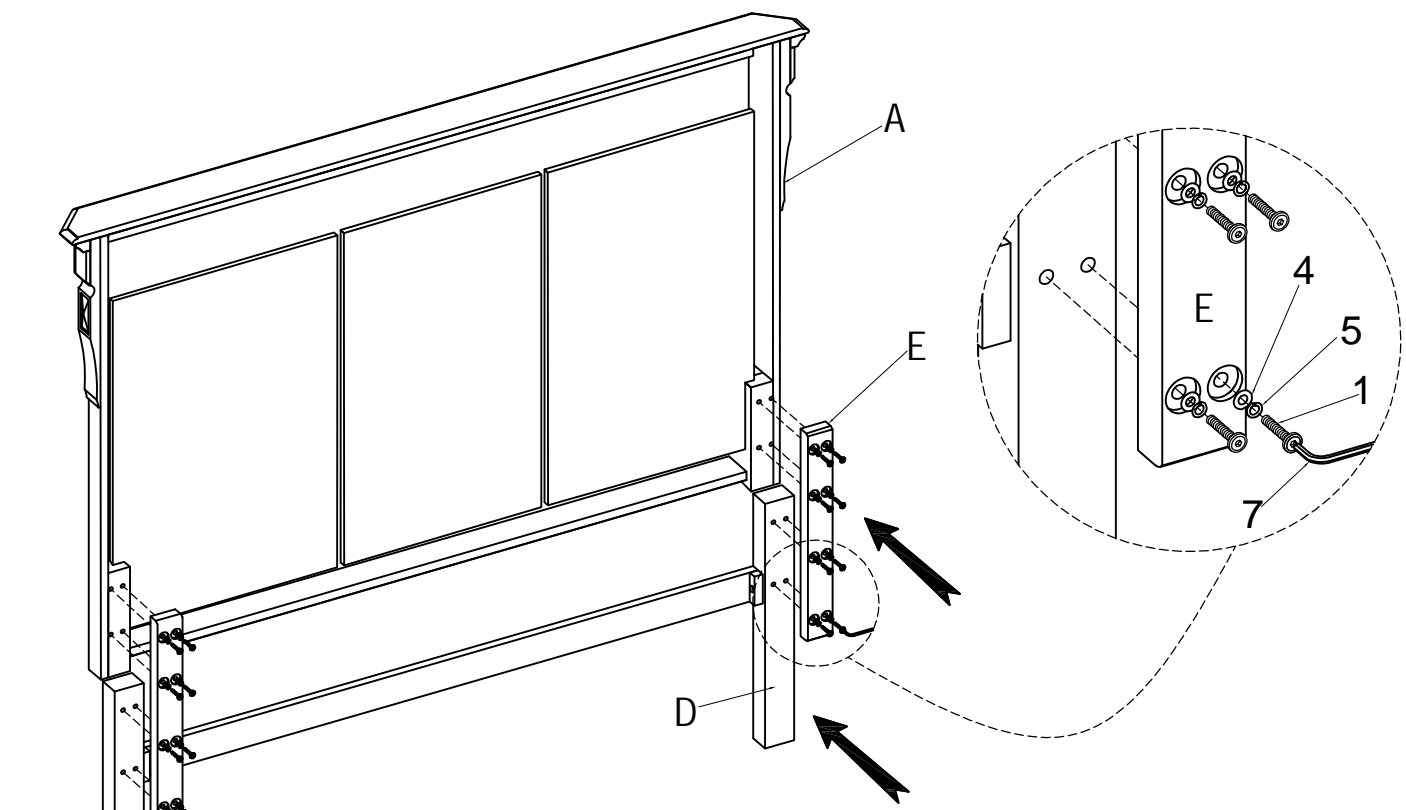
Attach the Horizontal stretcher (B) with the Legs (C,D)
Using bolts (2), washers (4), spring washers (5) and the allen key (7)



2 BOLTS M6x40: 2pcs	4 WASHERS M8x2x19:2pcs	5 SPRING WASHERS M8x1.2x13: 2pcs	7 ALLEN KEY M4X59: 1pc
------------------------	---------------------------	-------------------------------------	---------------------------

STEP 2

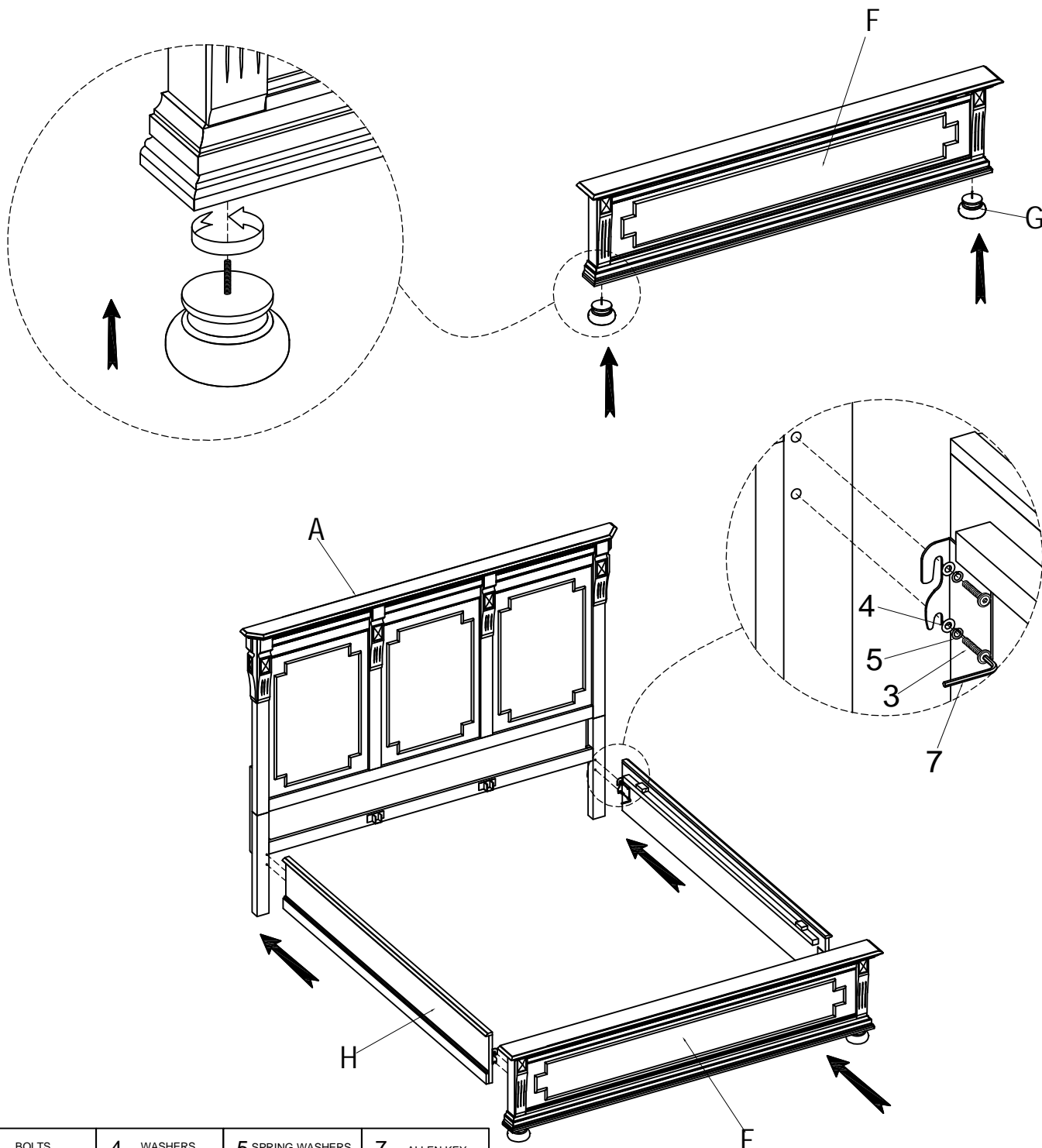
Attach the Conect bar (E) with the Legs (C,D) and the Panel headboard (A)
Using Bolts (1), Washers (4), Spring washers (5) and the allen key (7)







1 BOLTS M8x50: 16pcs	4 WASHERS M8x2x19:16pcs	5 SPRING WASHERS M8x1.2x13: 16pcs	7 ALLEN KEY M4X59: 1pc
-------------------------	----------------------------	--------------------------------------	---------------------------

STEP 3

Attach the Legs (G) to the Footboard (F) after that
Attach the side rails (H) with the headboard (A) and Footboard (F)
Using bolts (3), washers (4), spring washers (5) and the allen key (7)

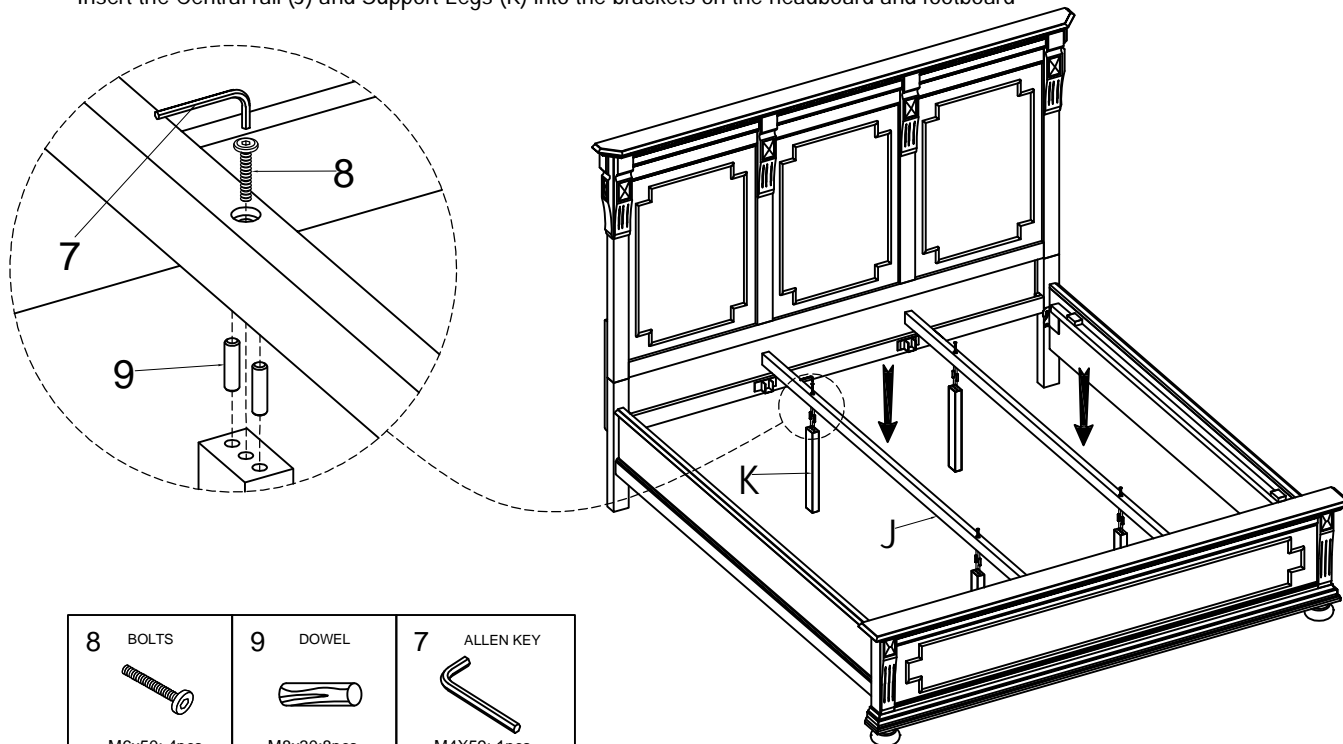


3 BOLTS  M8x30: 8pcs	4 WASHERS  M8x2x19:8pcs	5 SPRING WASHERS  M8x1.2x13: 8pcs	7 ALLEN KEY  M4X59: 1pc
--	---	---	---

STEP 4

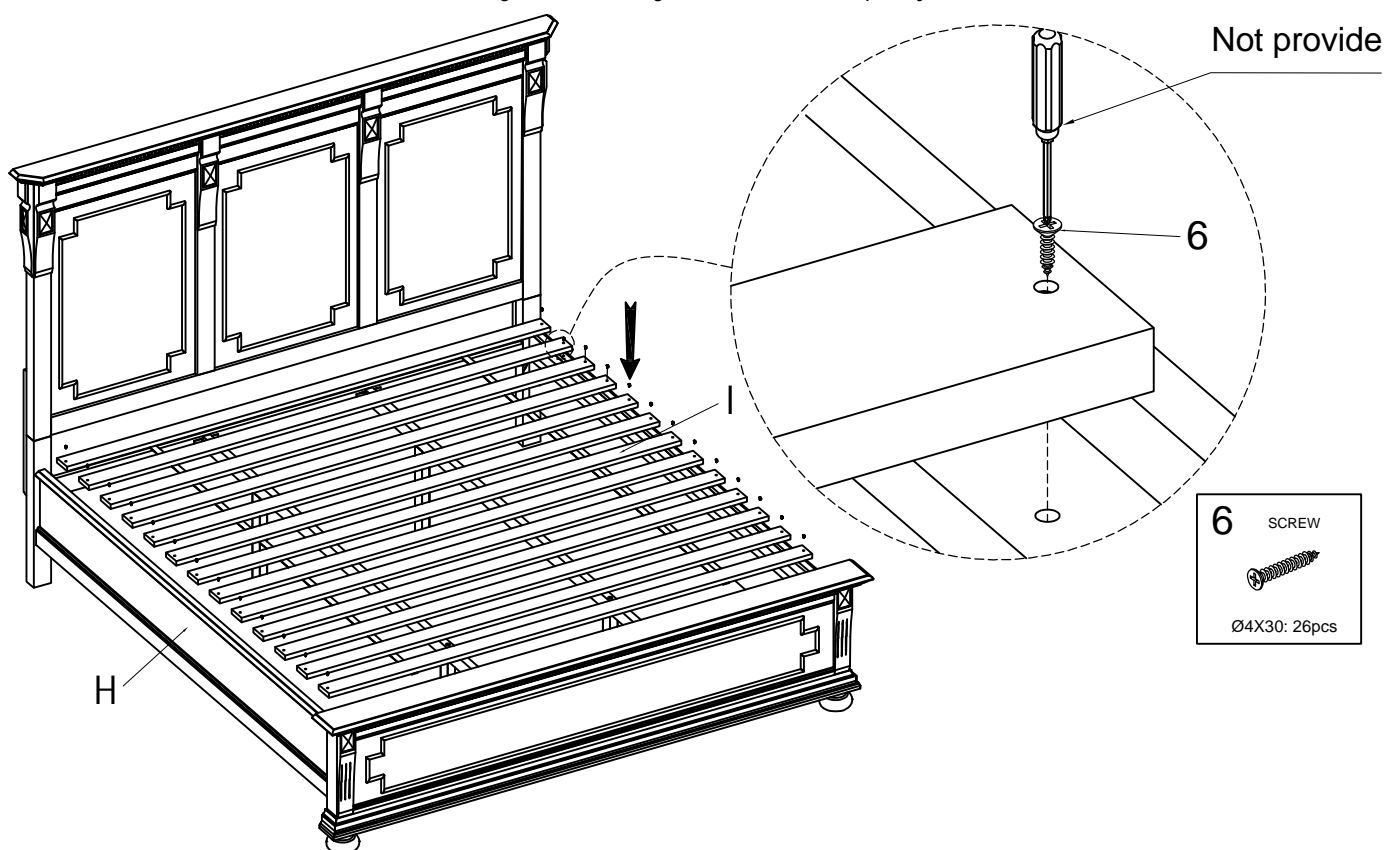
Attach the Support Legs (K) to the Center rails (J) using Bolts (8), Dowels (9) and the allen key (7)

Insert the Central rail (J) and Support Legs (K) into the brackets on the headboard and footboard

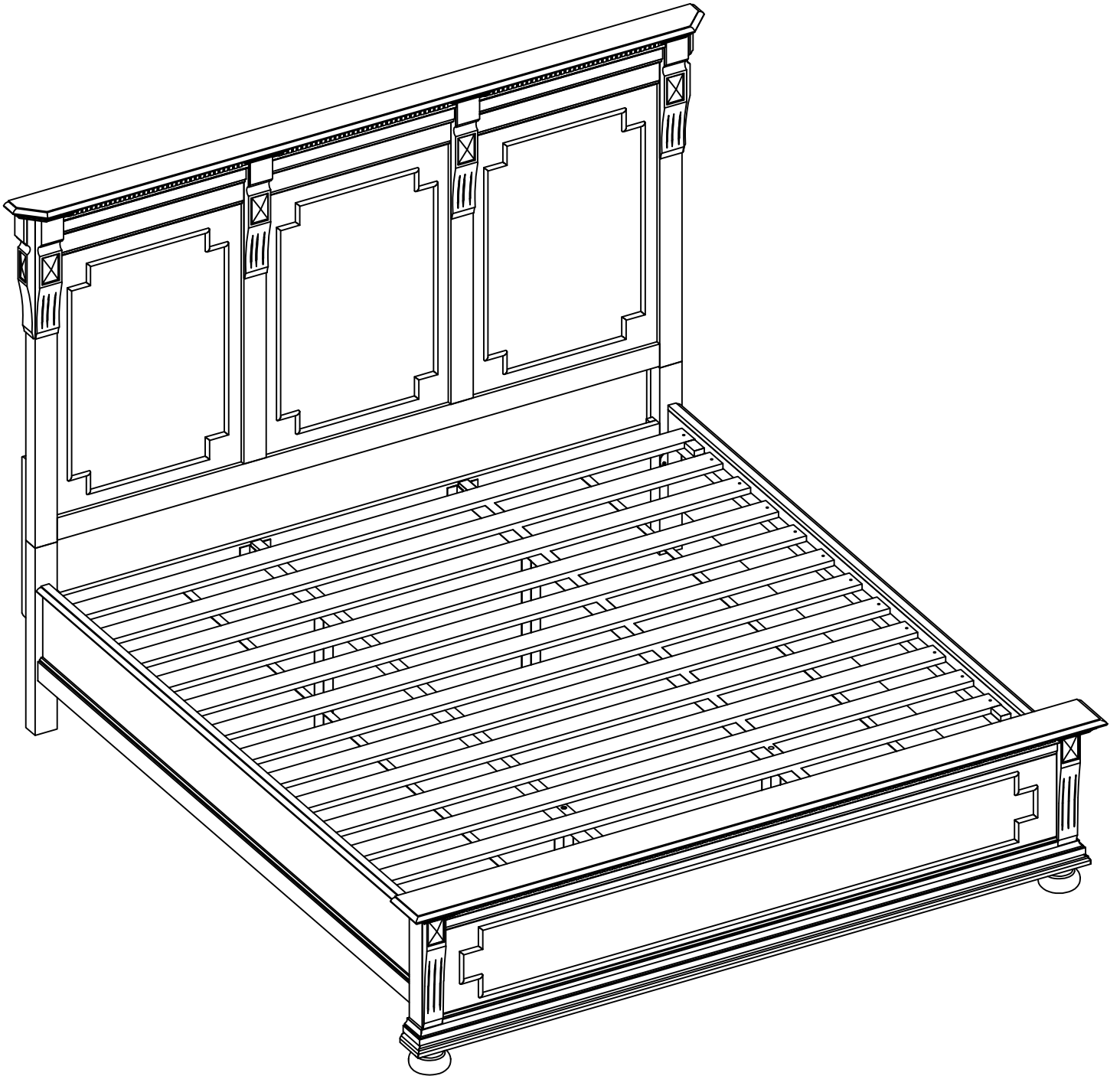


STEP 5

Attach the Slats (I) to the Side rails (H) using Screws (6). Tighten the screws completely



STEP 6



COMPLETE

CARE & MAINTENANCE

Wood Care Tips

- Wood color can fade and/ or sun bleaching can occur when exposed to direct sunlight over a long period of time.
- Avoid placing your furniture in direct sunlight.
- Rearrange accessories over time to prevent spot bleaching.
- For daily maintenance, use clean and soft rags or cloths to wipe off dust on the surface along the grains.
- Never use damp rags or anything with a hard surface to rub onto the furniture.
- Always keep surfaces clear of any acid or chemical substances.
- To avoid damage refrain from stacking large and/or heavy objects on top of the furniture.
- Avoid cleaners which use chemical products. Many of these are harsh and not safe for use on upholstery.



WARNING



- Do not use this product unless all screws and bolts are securely tightened.
- Check that all screws and bolts are secure every three months or as needed
- Dispose of packing material properly. Do not use plastic cover as head covering as it may cause suffocation.
- Do not use this product as a stepladder.
- Use this product for intended purpose only.
- Intended for residential use only.