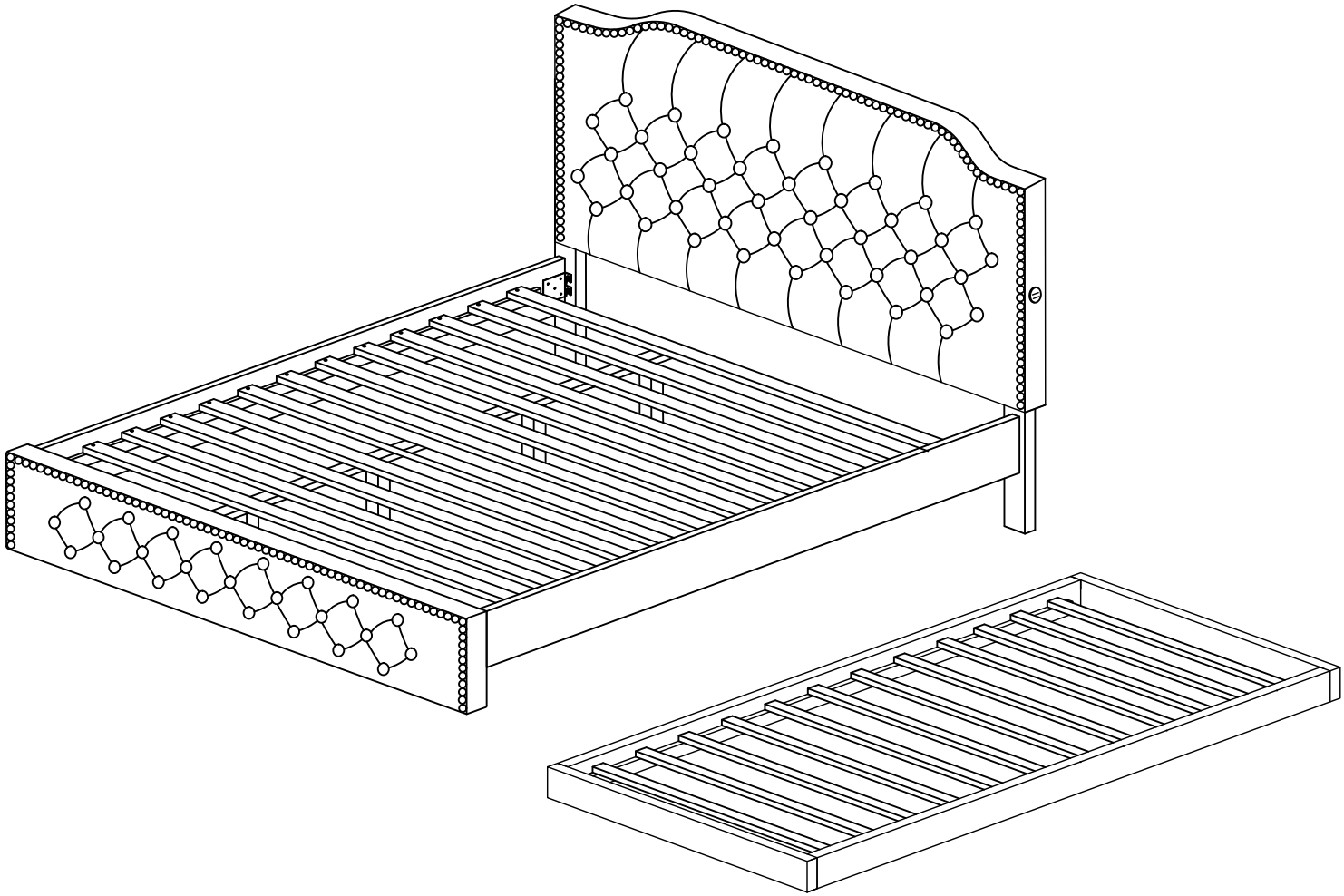
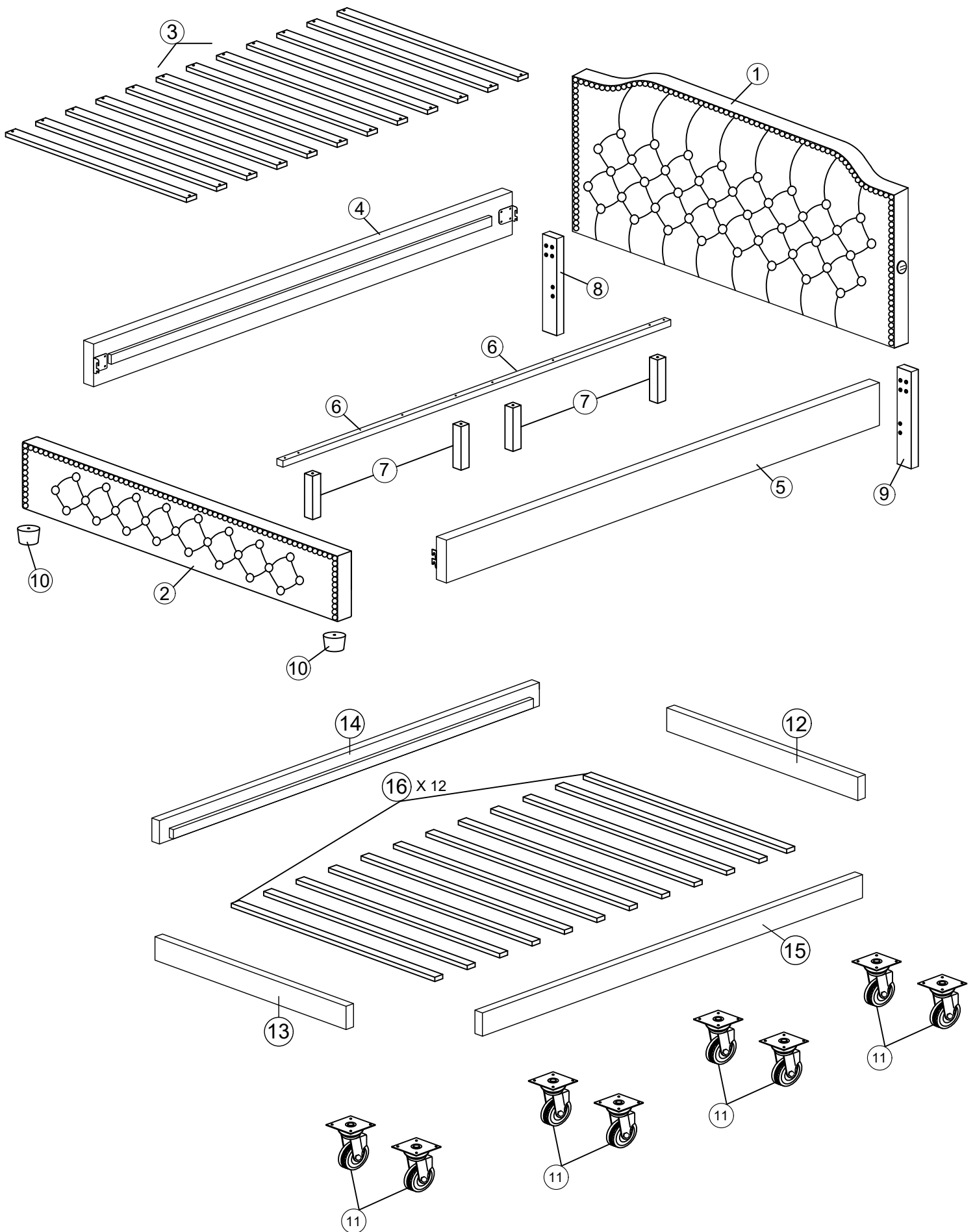


ASSEMBLY INSTRUCTION (WF309334 / WF309335)

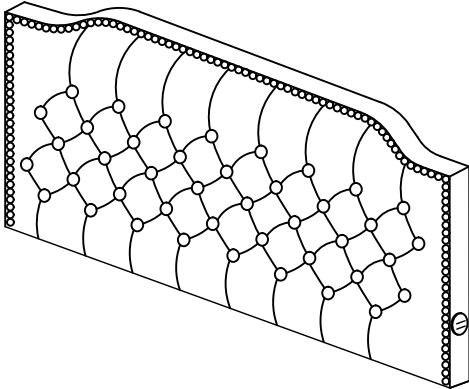


ASSEMBLY INSTRUCTION (WF309334 / WF309335)



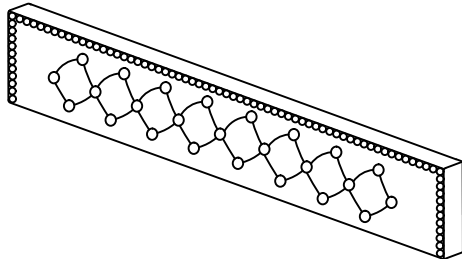
Part List (Box 1 - WF309334)

1



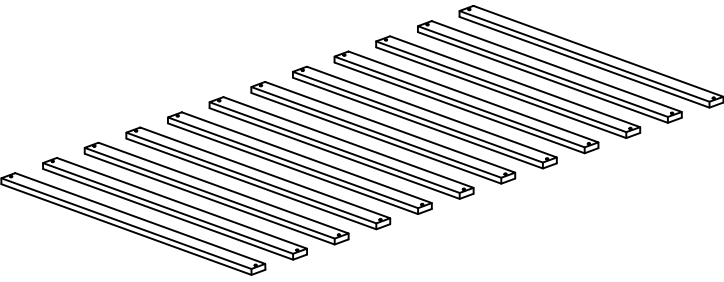
Headboard 1 pc

2



Footboard 1 pc

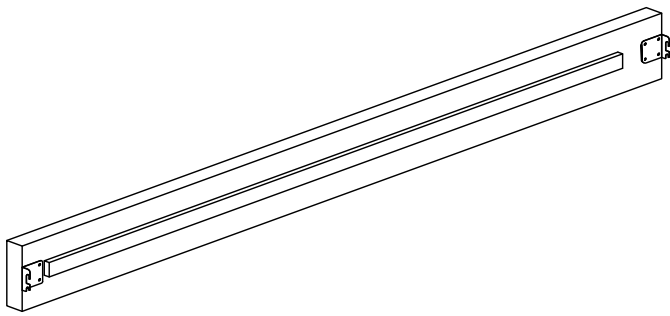
3



LVL Slats 12 pcs

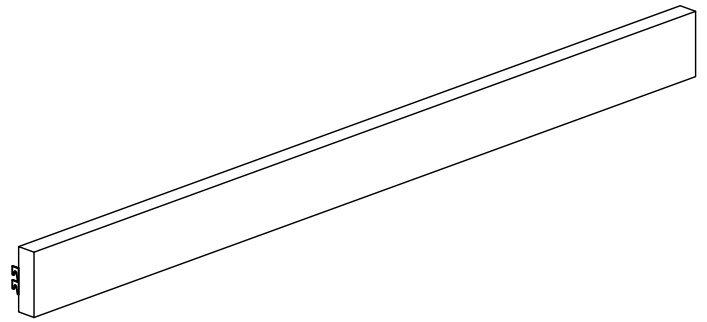
Part List (Box 2 - WF309335)

4



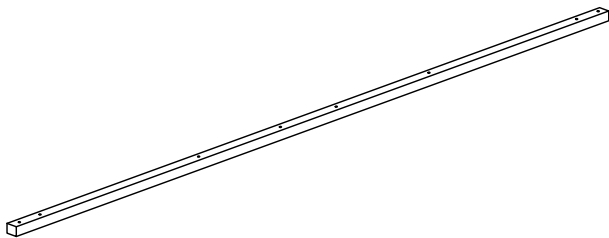
SidePanel (L) 1 pc

5



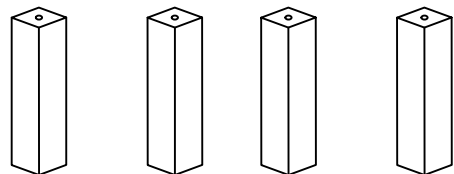
SidePanel (R) 1 pc

6



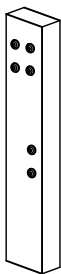
Center Wood 1 pc

7



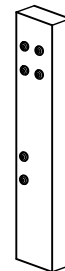
Center Legs 4 pcs

8



Headboard Leg (L) 1 pc

9



Headboard Leg (R) 1 pc

10



Footboard Legs 2 pcs

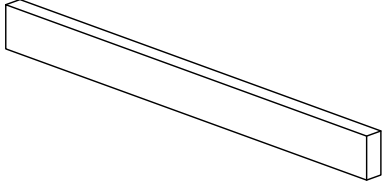
11



CASTER
NO LOCK 8 PCS

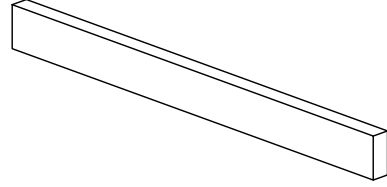
Part List (Box 2 - WF309335)

12



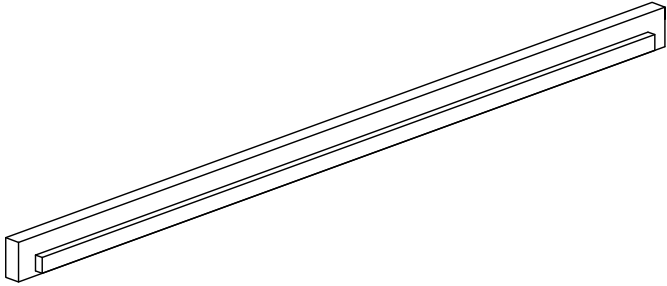
Trundle Bed Headboard 1pc

13



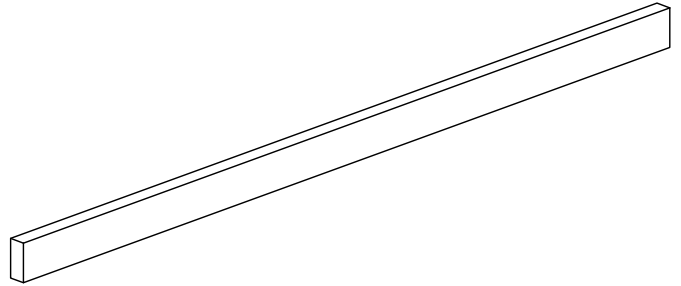
Trundle Bed Footboard 1pc

14



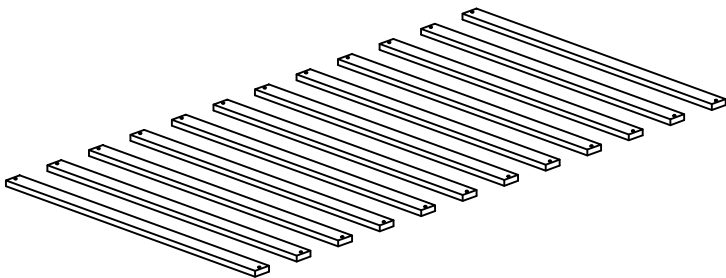
Trundle Bed SidePanel (L) 1pc

15



Trundle Bed SidePanel (R) 1pc

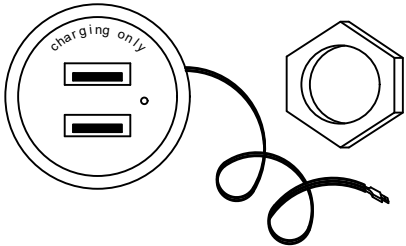
16



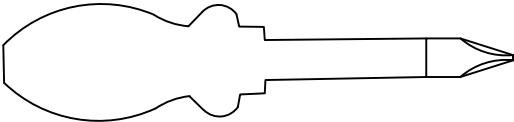
Trundle Bed LVL Slats 12pcs

Hardware List (Box 1 - WF309334)

H



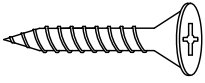
USB 2 pcs



ASSEMBLY TOOLS REQUIRED (NOT INCLUDED)

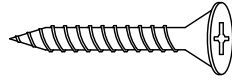
Hardware List (Box 2 - WF309335)

A



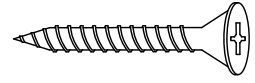
M4 X 16 MM
Chipboard Screw 32pcs

B



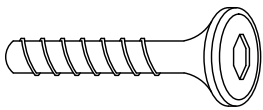
M4 X 32 MM
Chipboard Screw 48 pcs

C



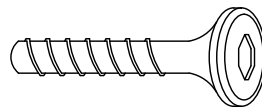
M4 X 45 MM
Chipboard Screw 2 pcs

D



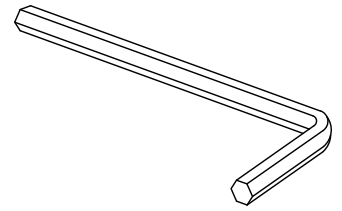
M6 X 30 MM
JCBC Screw 8 pcs

E



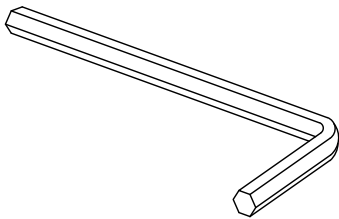
M6 X 45 MM
JCBC Screw 10 pcs

F

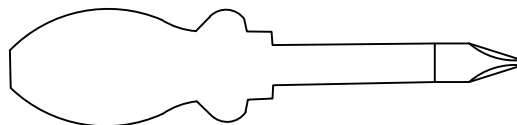


M4
Allen Key 1 pc

G



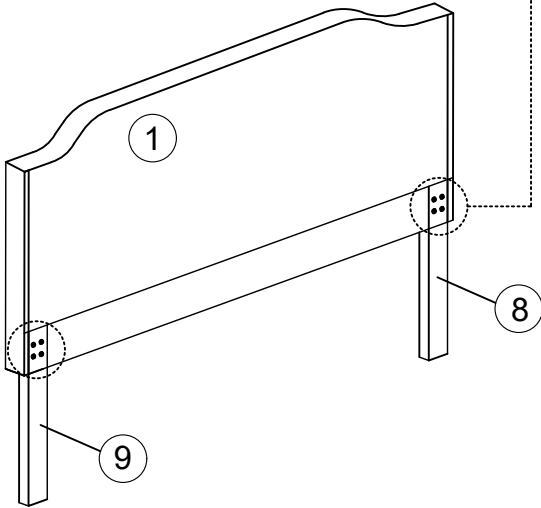
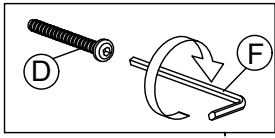
M5
Allen Key 1 pc



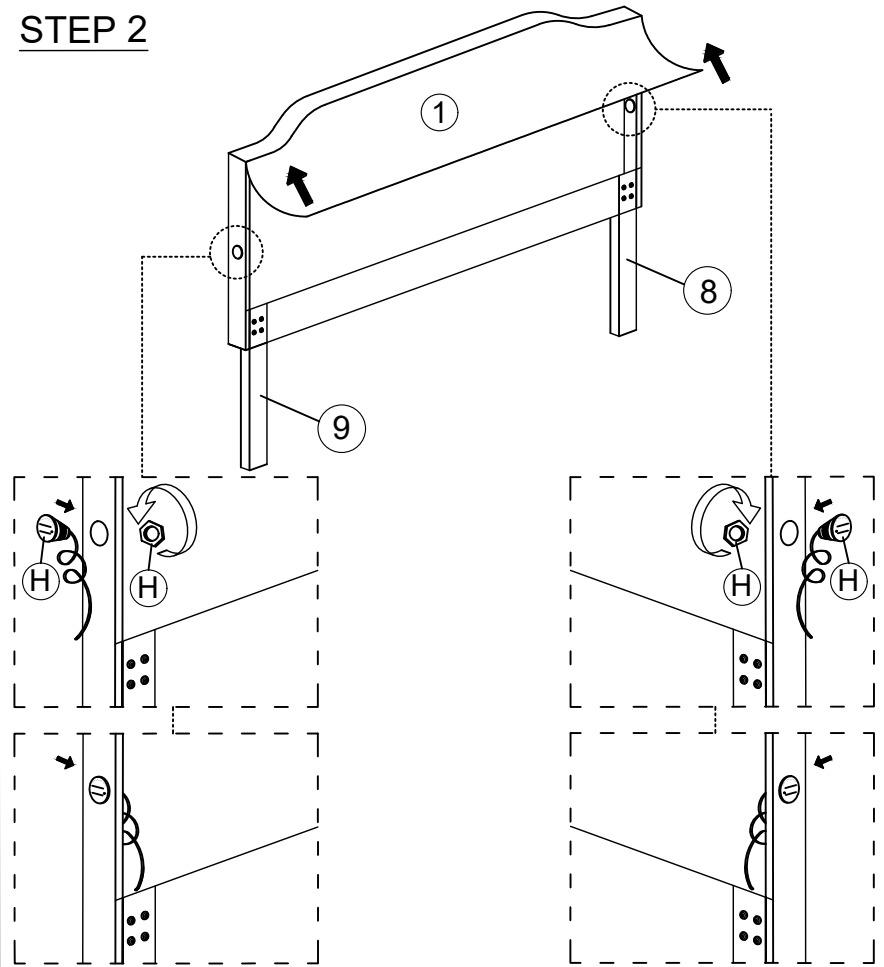
ASSEMBLY TOOLS REQUIRED (NOT INCLUDED)

ASSEMBLY INSTRUCTION

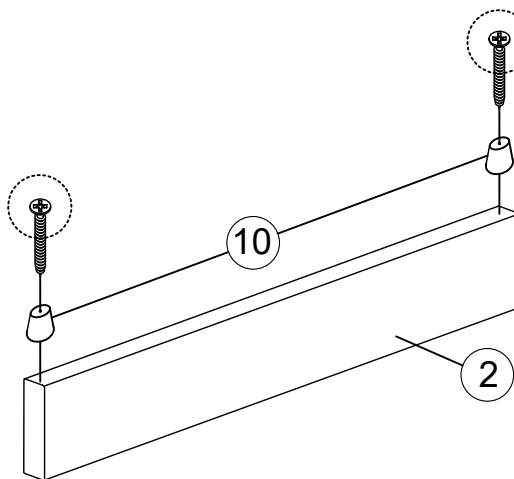
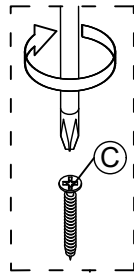
STEP 1



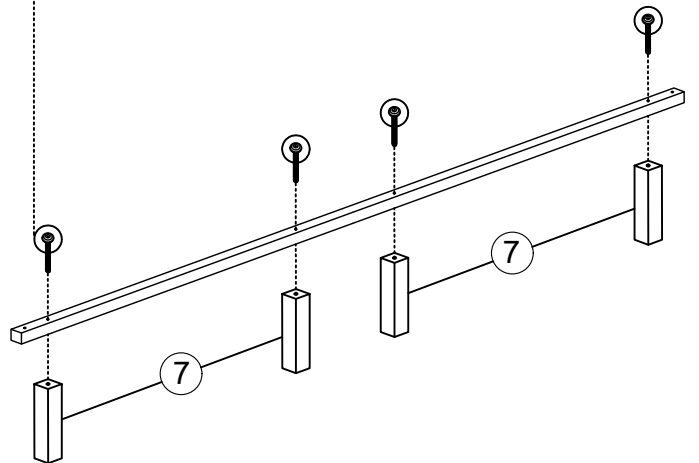
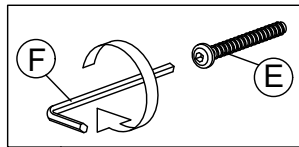
STEP 2



STEP 3

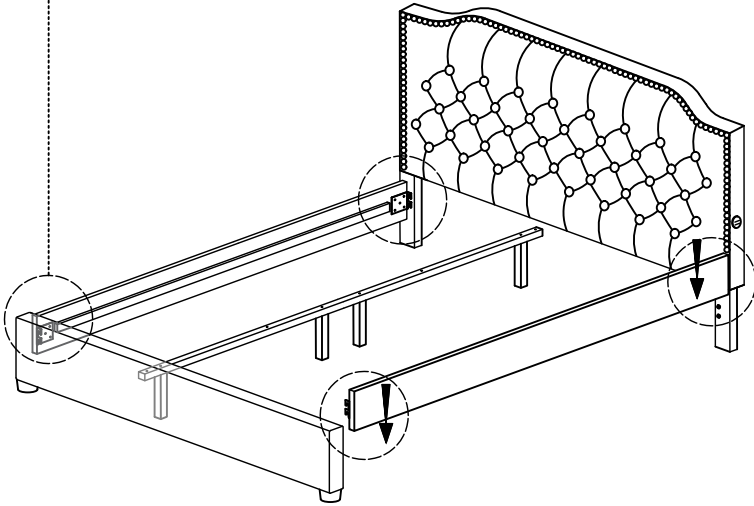
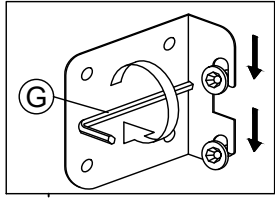


STEP 4

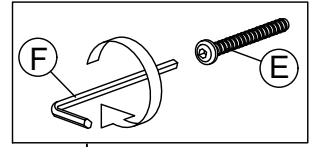
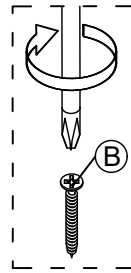


ASSEMBLY INSTRUCTION

STEP 5

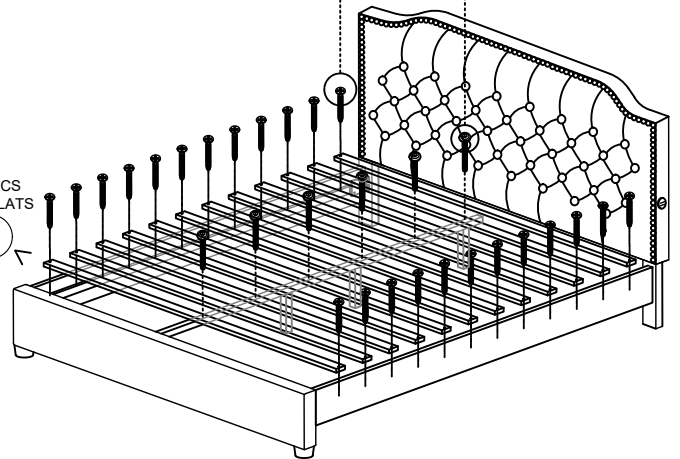


STEP 6

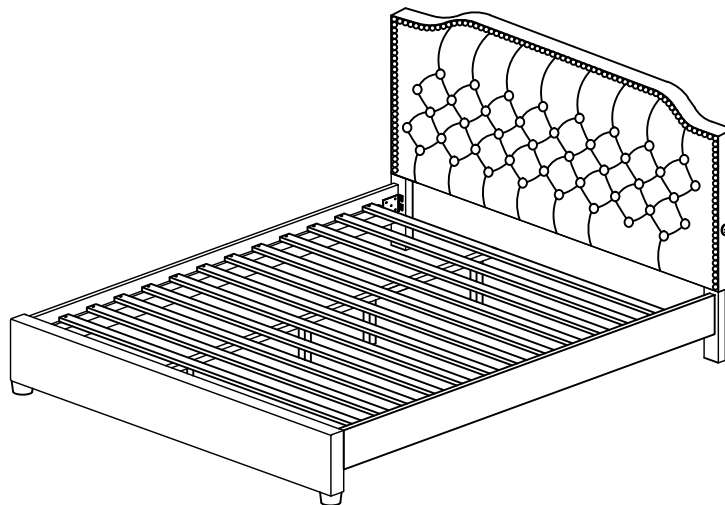


12 PCS
LVL SLATS

3

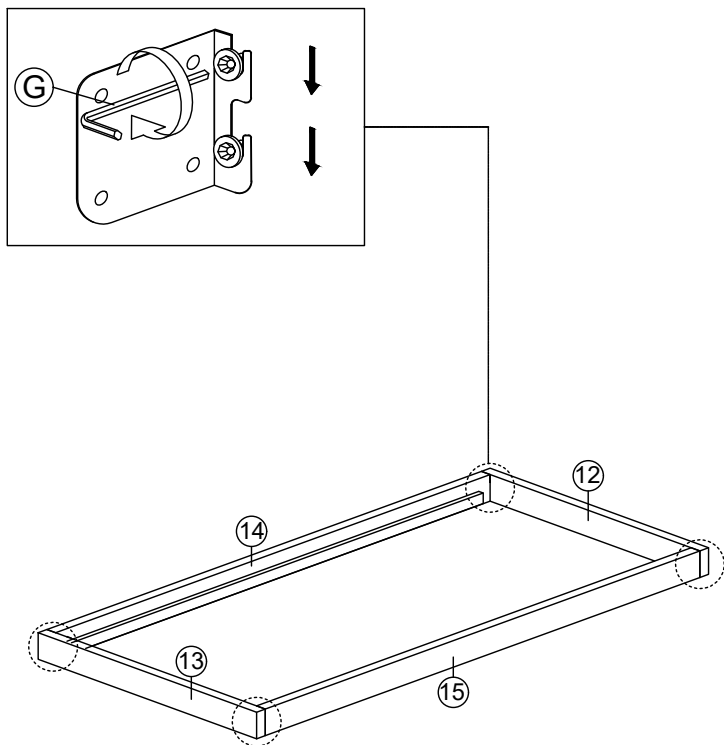


COMPLETE

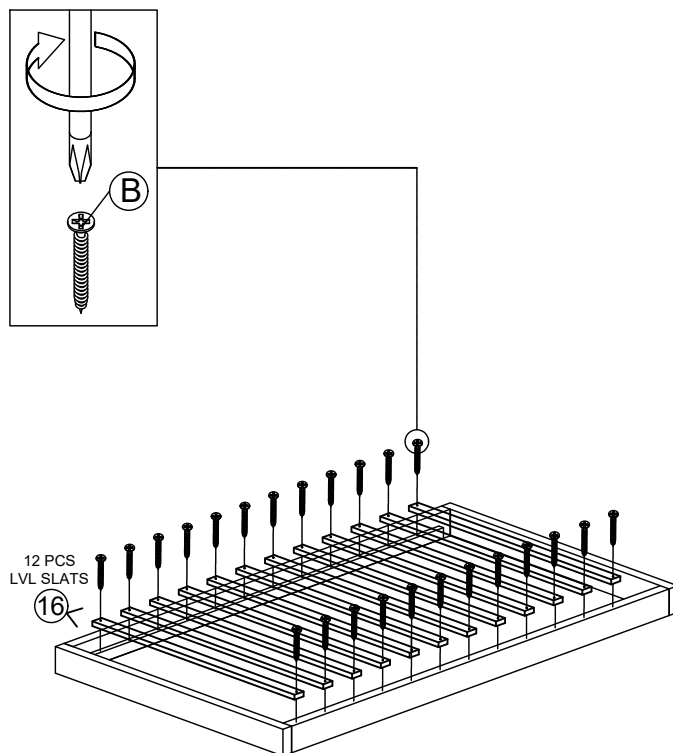


ASSEMBLY INSTRUCTION

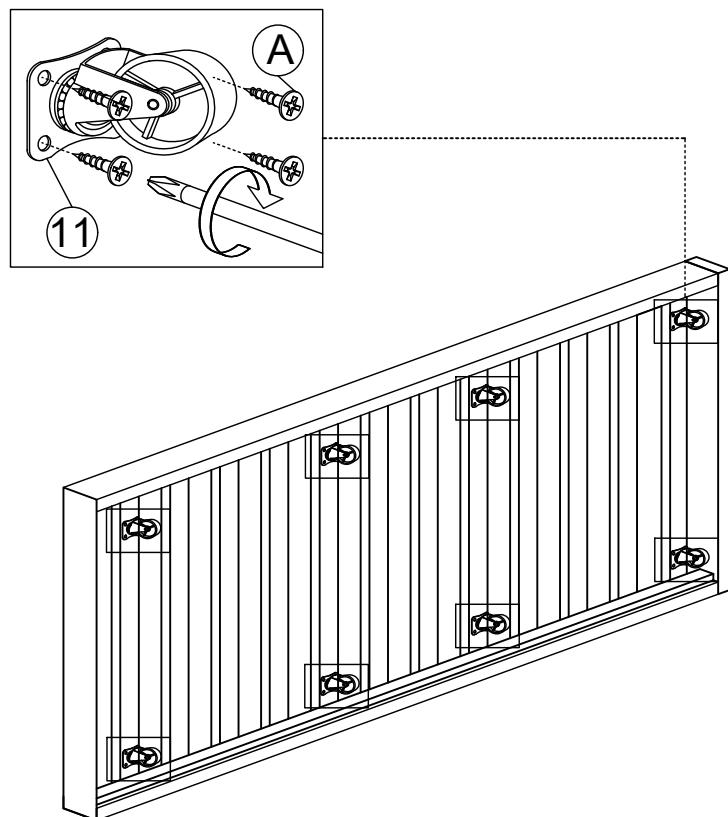
STEP 7



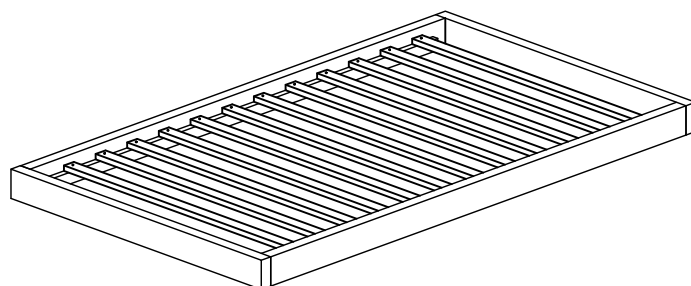
STEP 8



STEP 9



COMPLETE



FULLY COMPLETED ASSEMBLY

