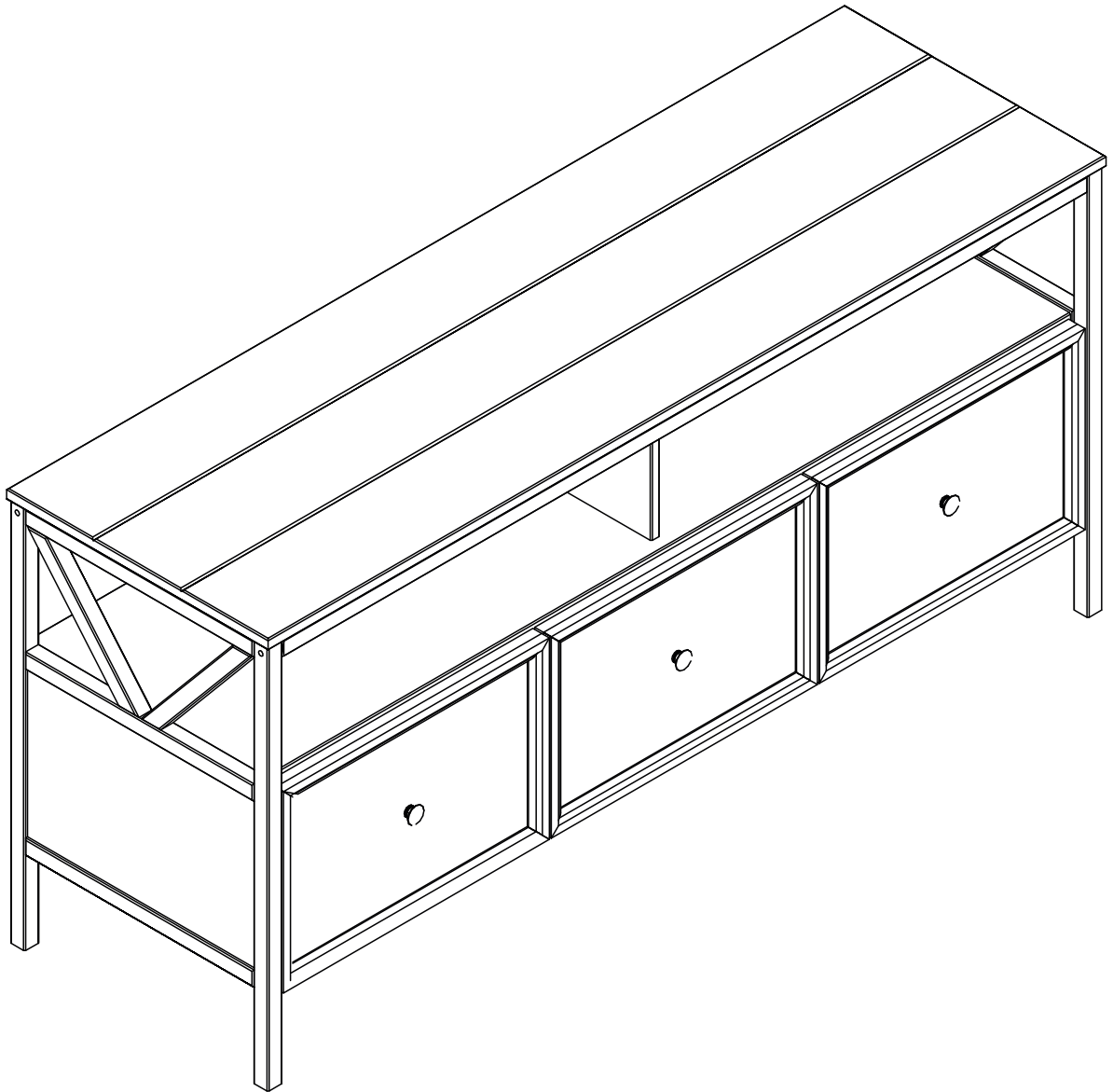
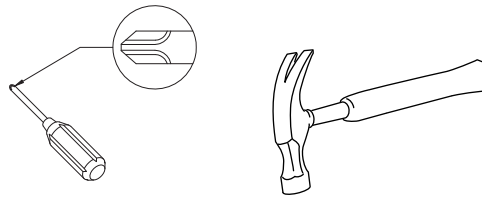


Assembly Instructions

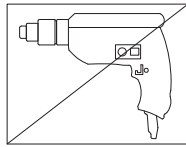


General Assembly Guidelines

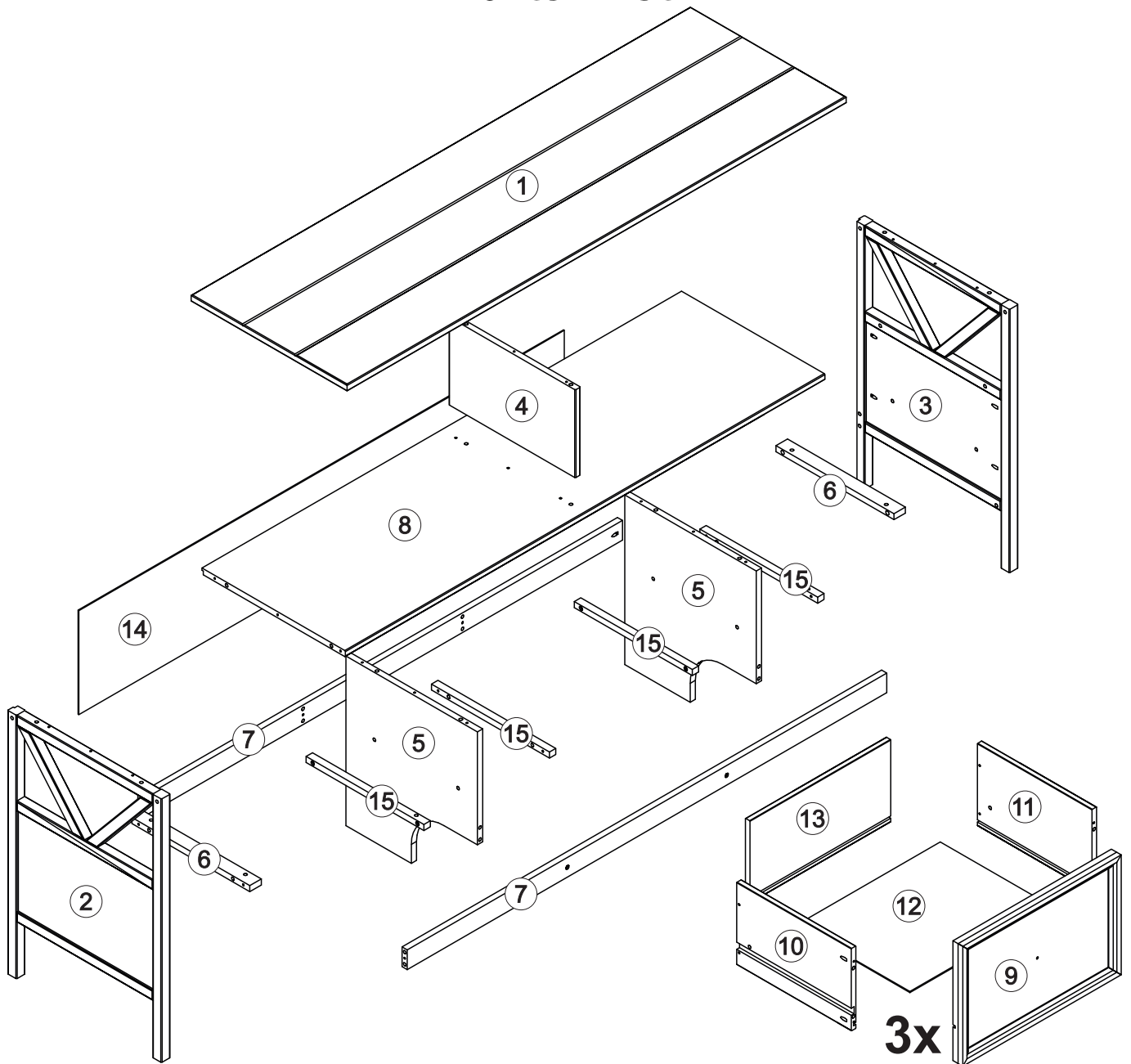
- I. Ensure that all parts and hardware are available before beginning assembly.
- II. Follow each step carefully to ensure the proper assembly of this product.
- III. Two people are recommended for ease in the assembly of this product.
- IV. The three main types of hardware used to assemble this product are wood dowels, screws and bolts.
- V. A Phillips head screwdriver is required for the assembly of this product.



- VI. Power tools should not be used to assemble this product.



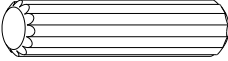

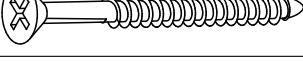
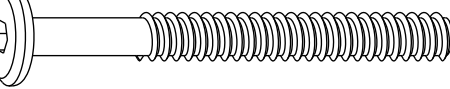

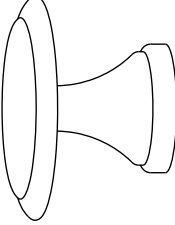
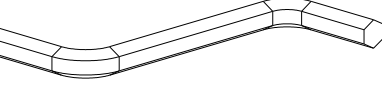
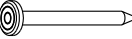
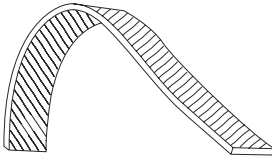



Parts List

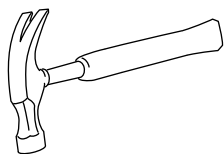


Part#	Description	Qty
1	Top panel	01 pcs
2	Left side panel	01 pcs
3	Right side panel	01 pcs
4	Center panel	01 pcs
5	Lower Partition	02 pcs
6	Drawer slide	02 pcs
7	Lower crossbar	02 pcs
8	Shelf	01 pcs

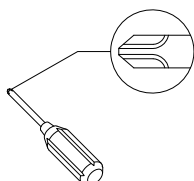
Part#	Description	Qty
9	Drawer Front	03 pcs
10	Left side of drawer	03 pcs
11	Right side of drawer	03 pcs
12	Drawer bottom	03 pcs
13	Back of drawer	03 pcs
14	Back Panel	01 pcs
15	Minor drawer slide	04 pcs

Hardware List

A		Ø8*30mm	Wooden dowel	66 pcs
B		Ø4,0*30mm	Screw	63 pcs
C		Ø4,0*40mm	Screw	07 pcs
D		Ø7*60mm	Screw	04 pcs
E		Ø4,0*22mm	Screw	03 pcs
F			Handle	03 pcs
G			Hex key	01 pcs
H		Ø10*10	Nail	22 pcs
J			Wall anchor	01 pcs
K			Washer	02 pcs
L			Ø6mm	01 pcs
M			Felt	04 pcs



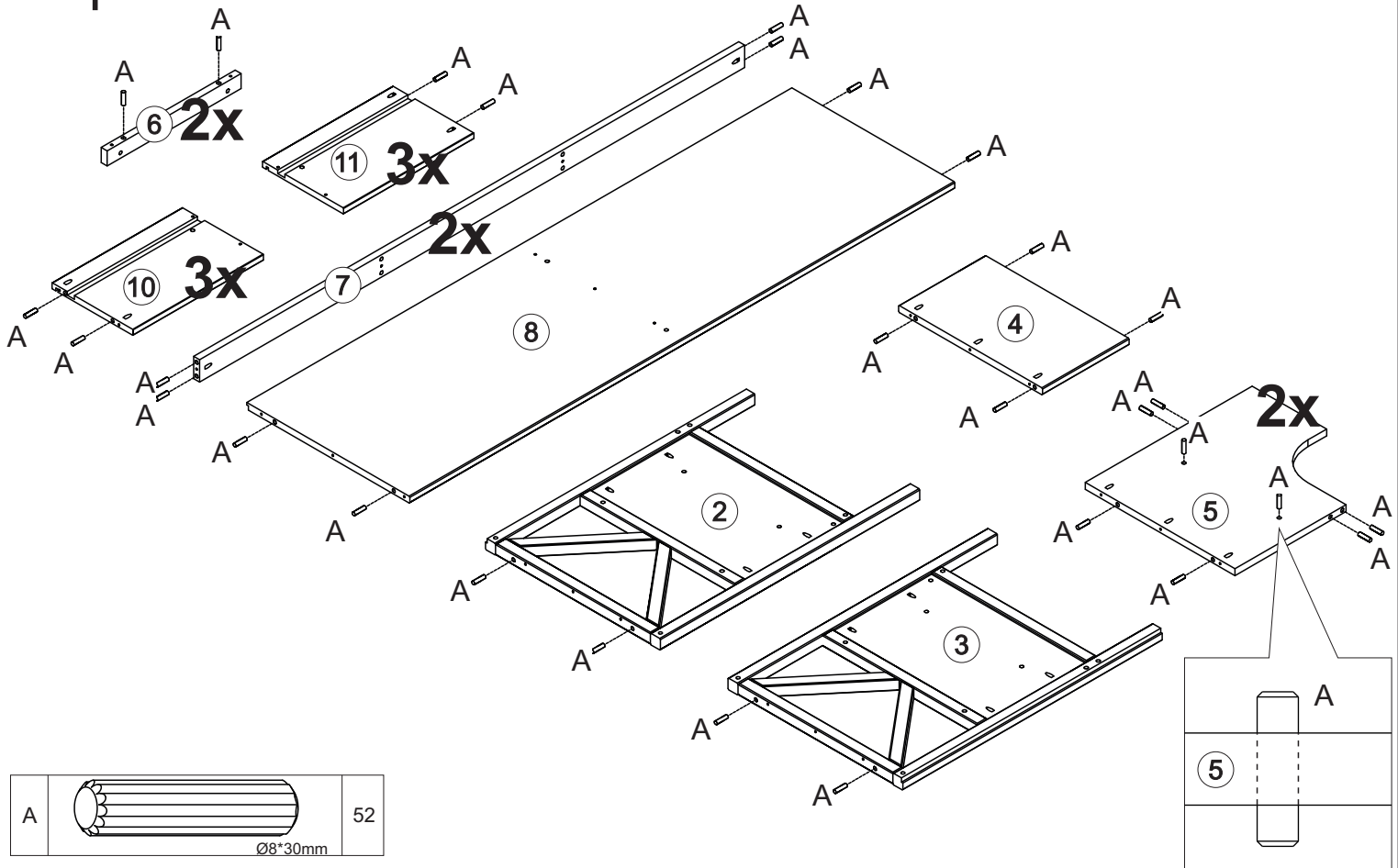
Hammer recommended for assembly
(not included)



Philips head screwdriver required for assembly
(not included)

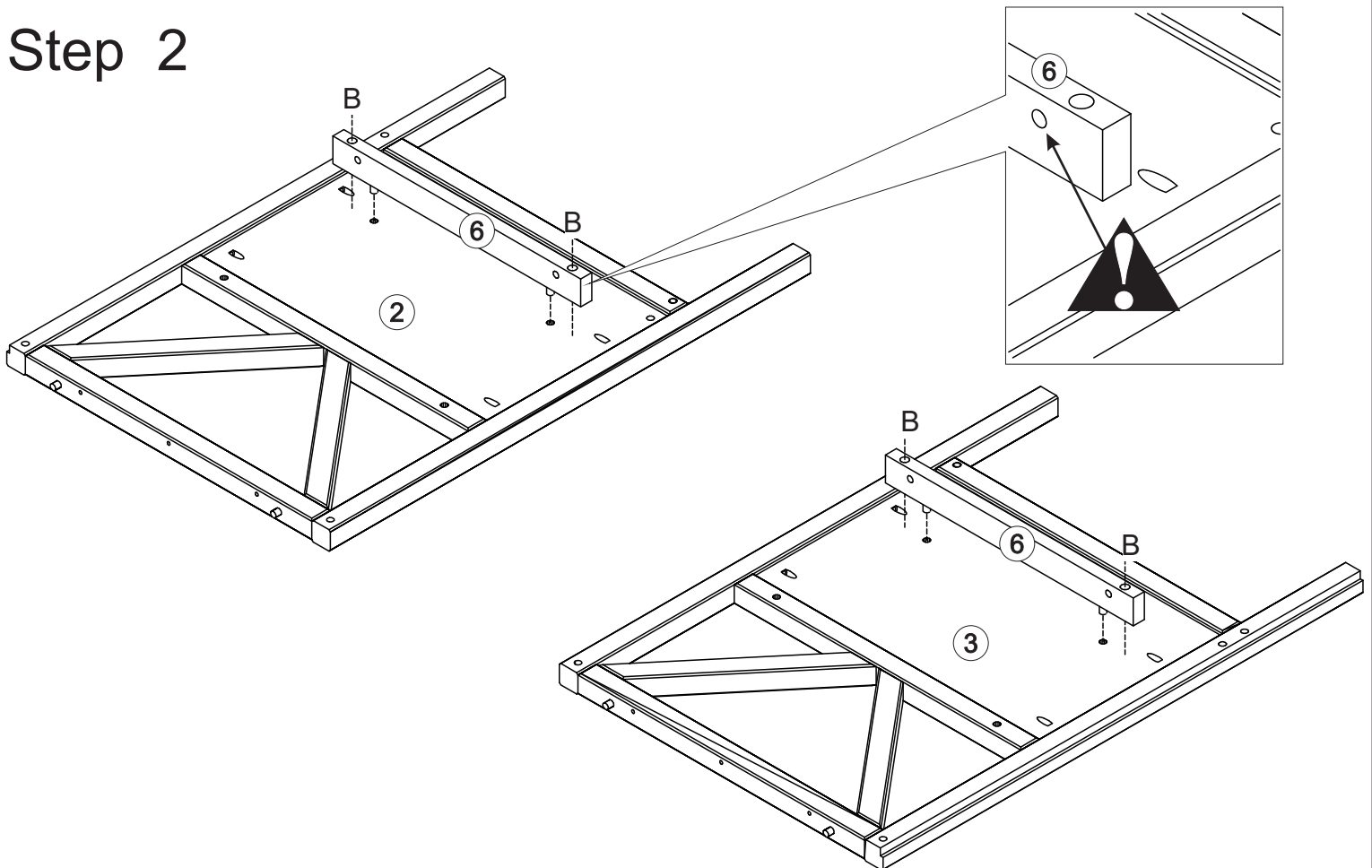
*The hardware quantities listed above are required for proper assembly.
Some extra hardware may also have been included.*

Step 1



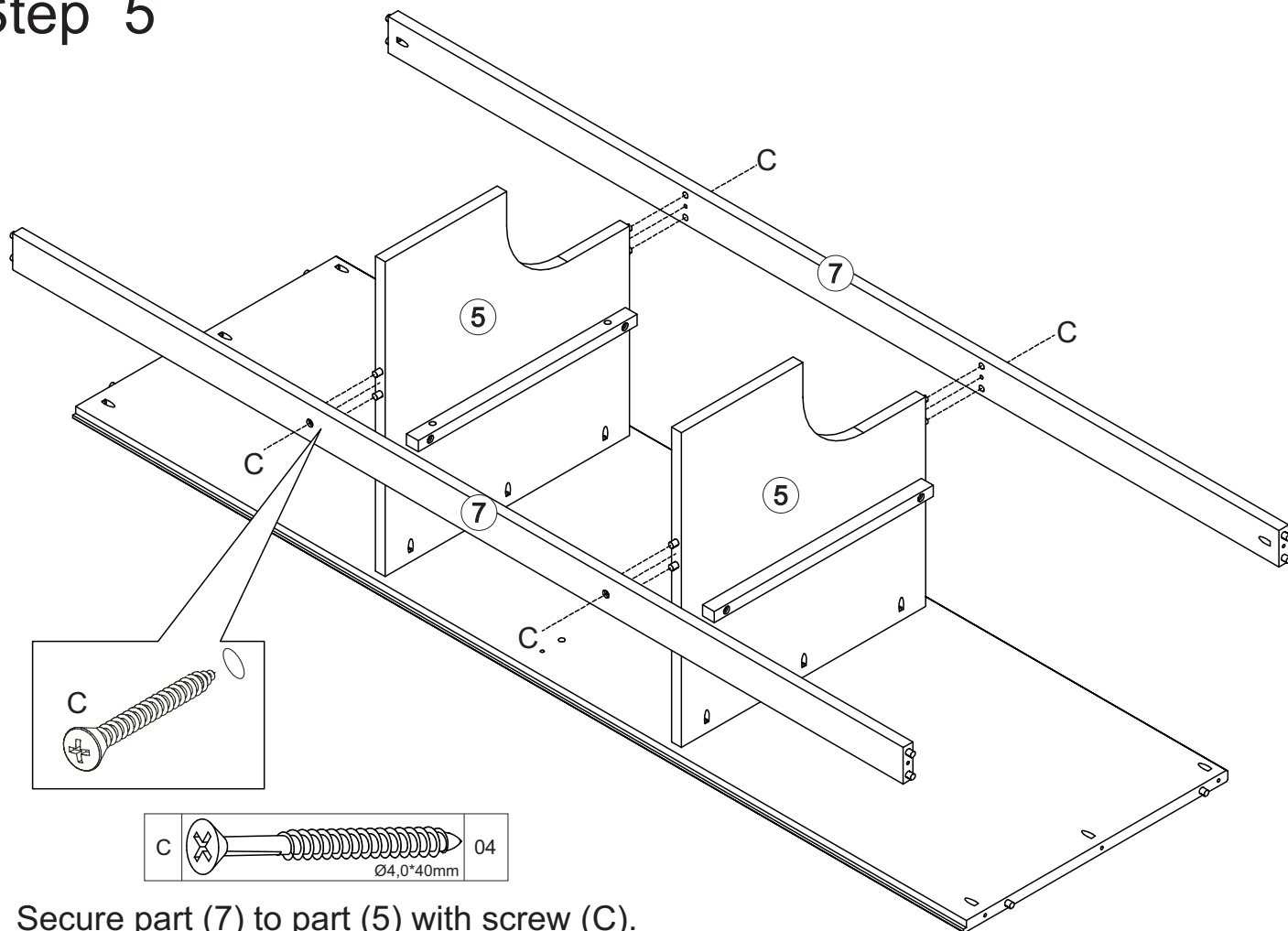
Insert Wooden dowel (A) into part (2), (3), (4), (5), (6), (7), (8), (10) and (11).

Step 2



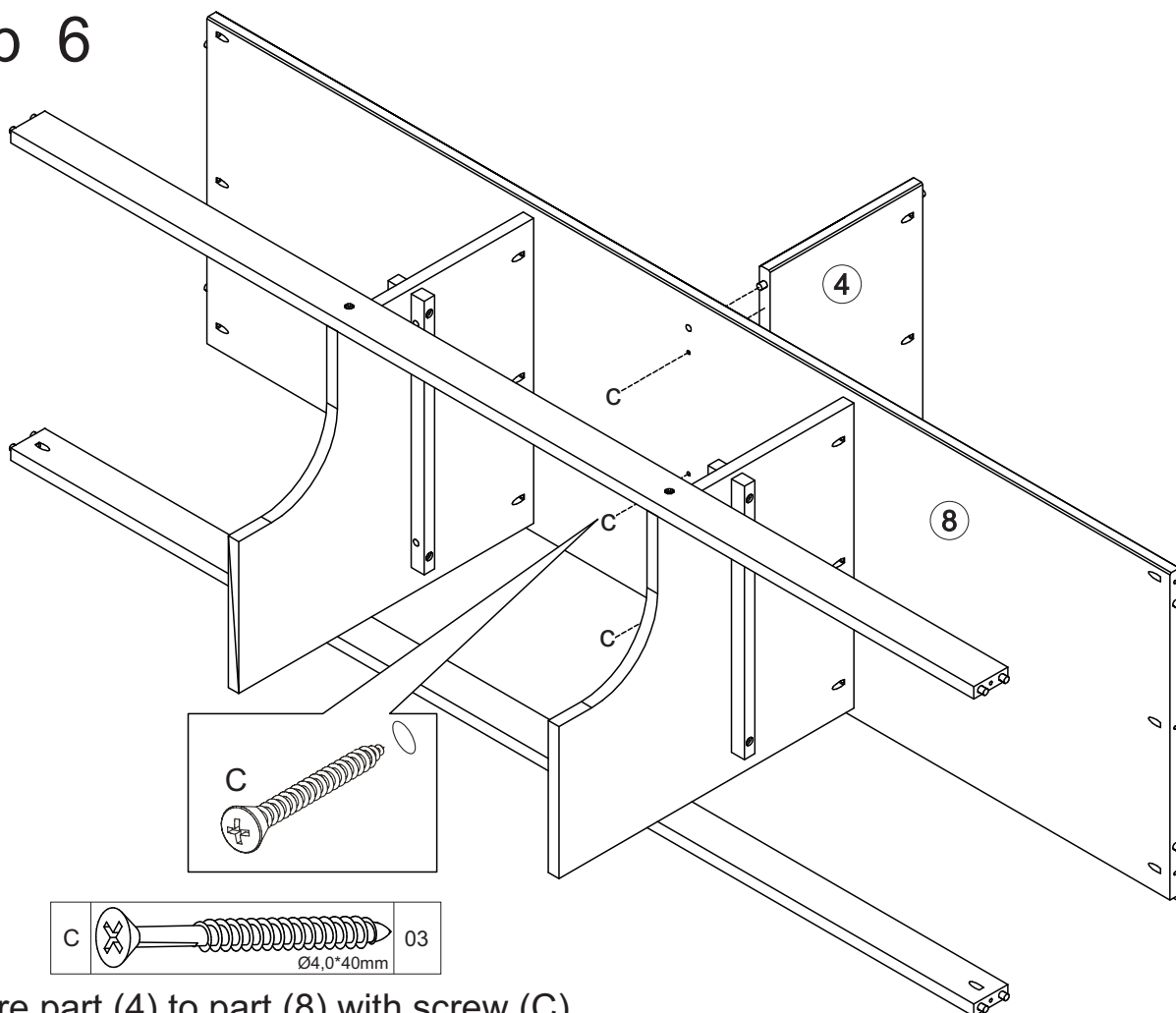
Secure part (6) to part (2) and (3) with screw (B).

Step 5



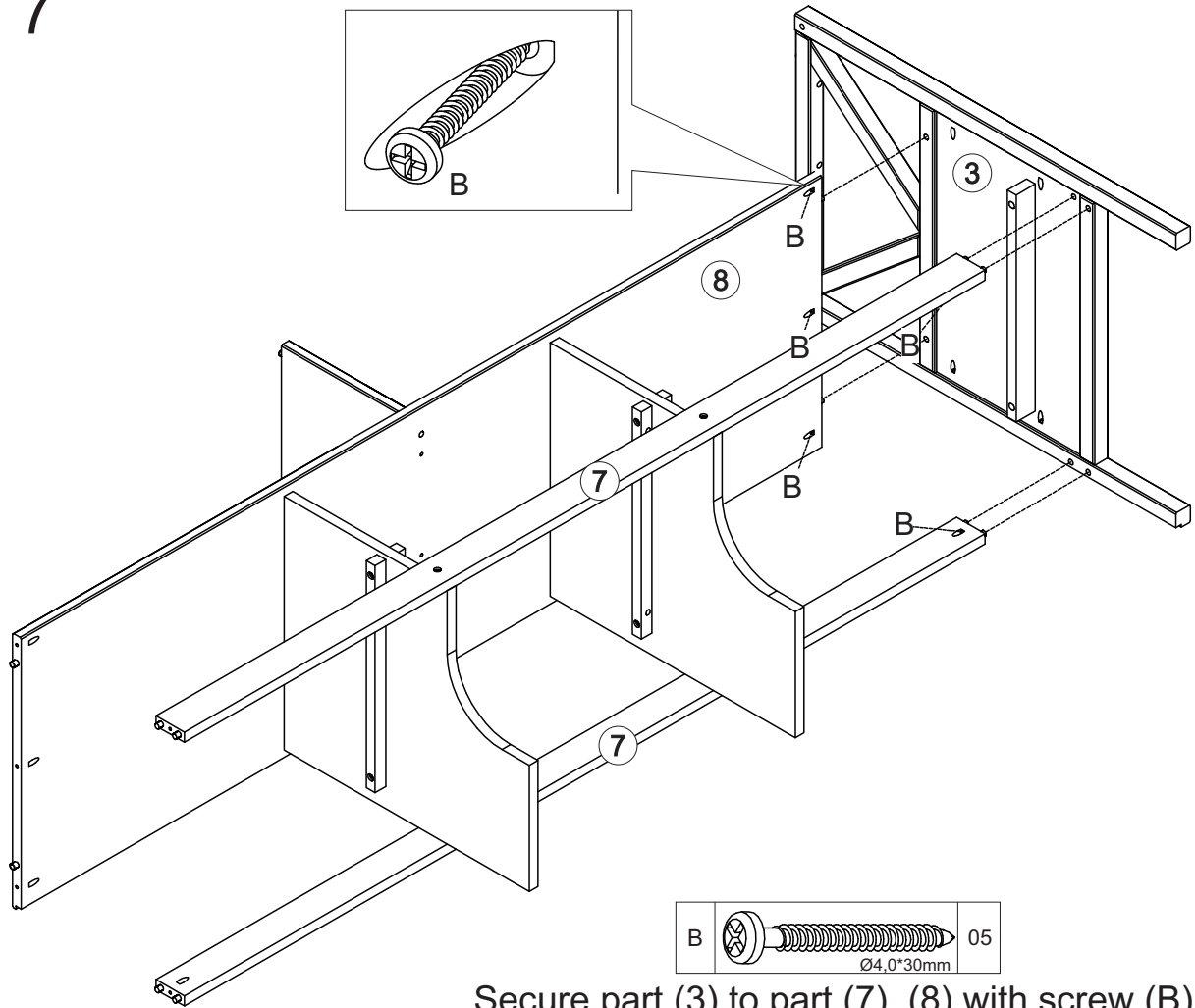
Secure part (7) to part (5) with screw (C).

Step 6



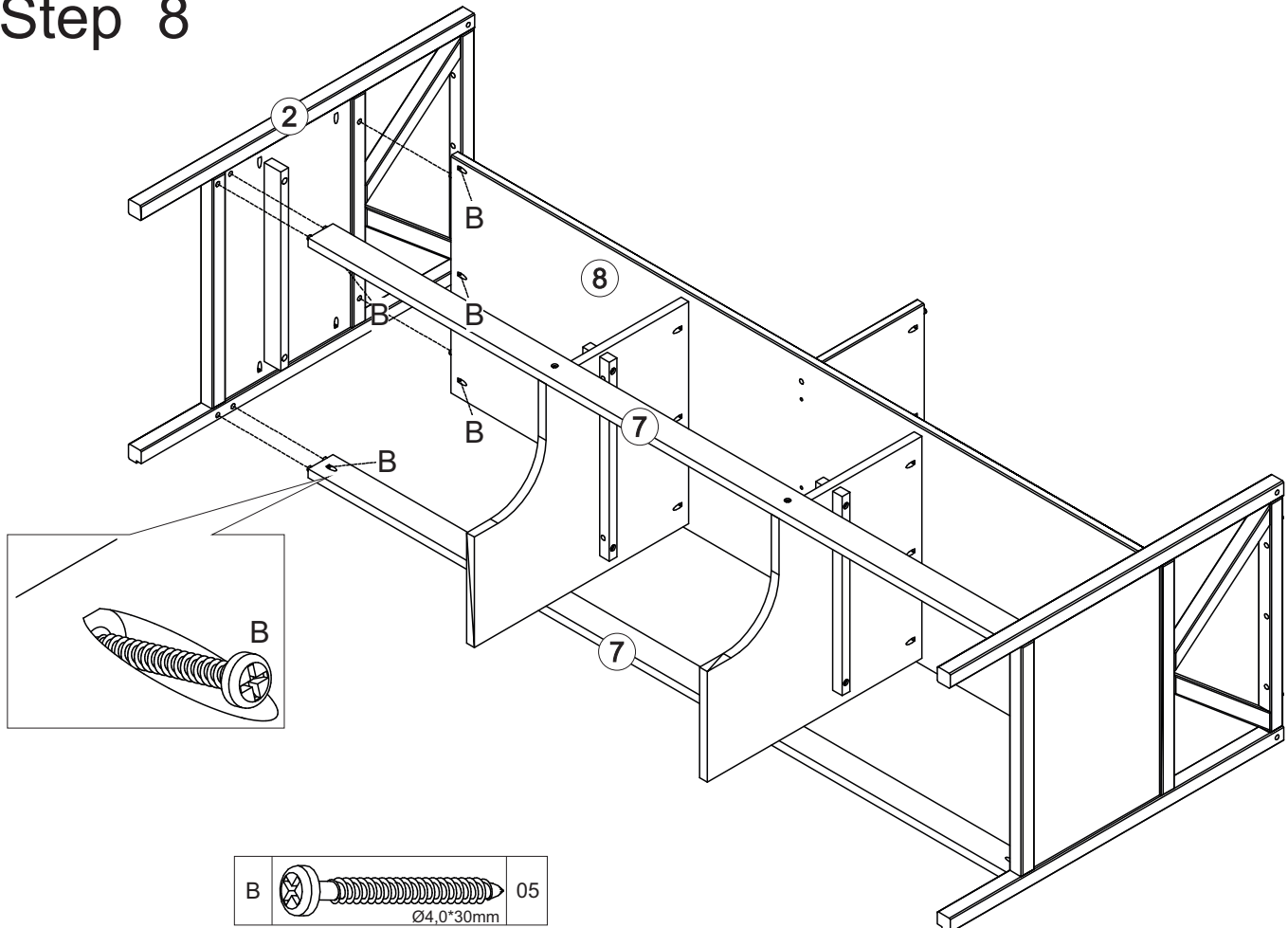
Secure part (4) to part (8) with screw (C).

Step 7



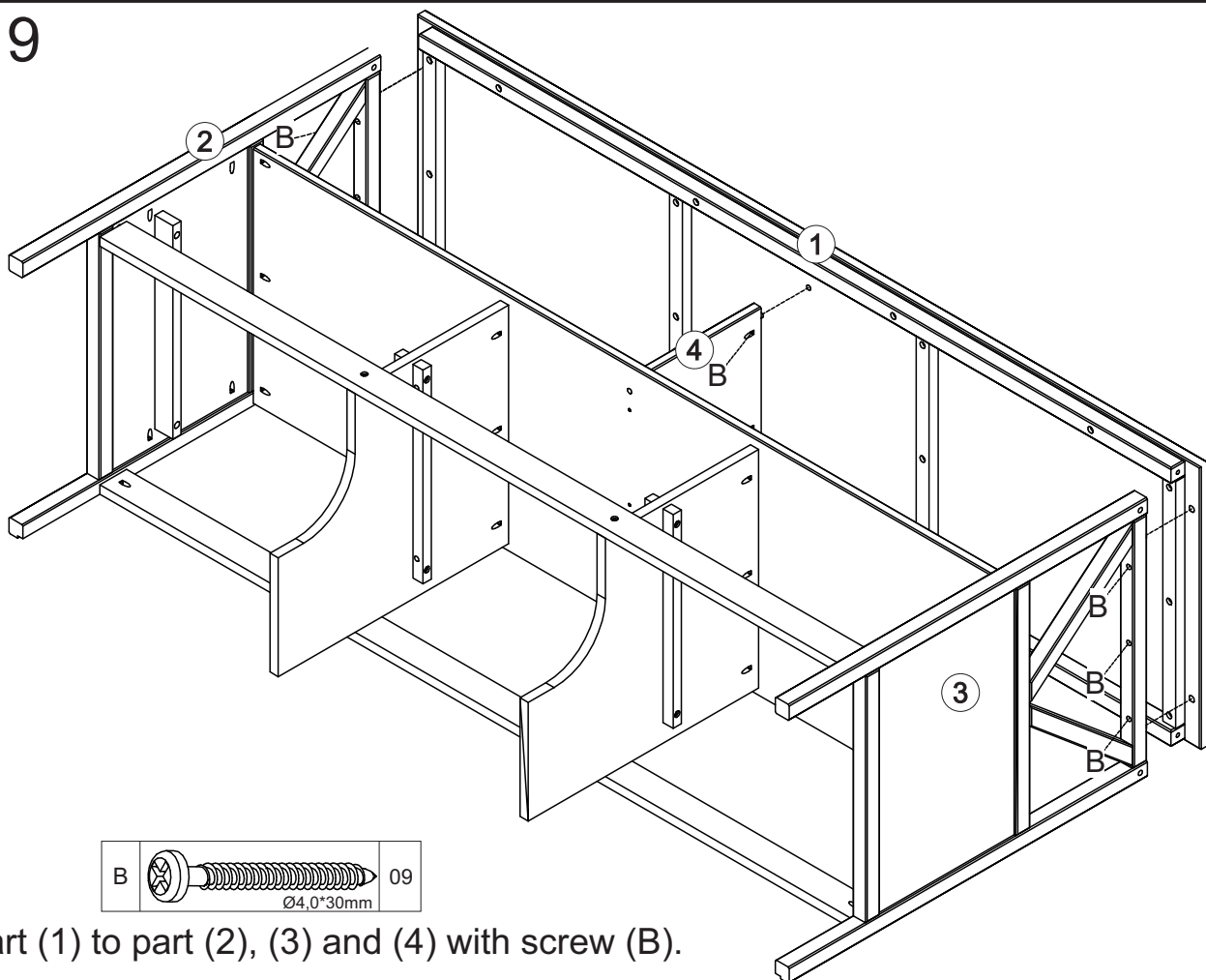
Secure part (3) to part (7), (8) with screw (B).

Step 8



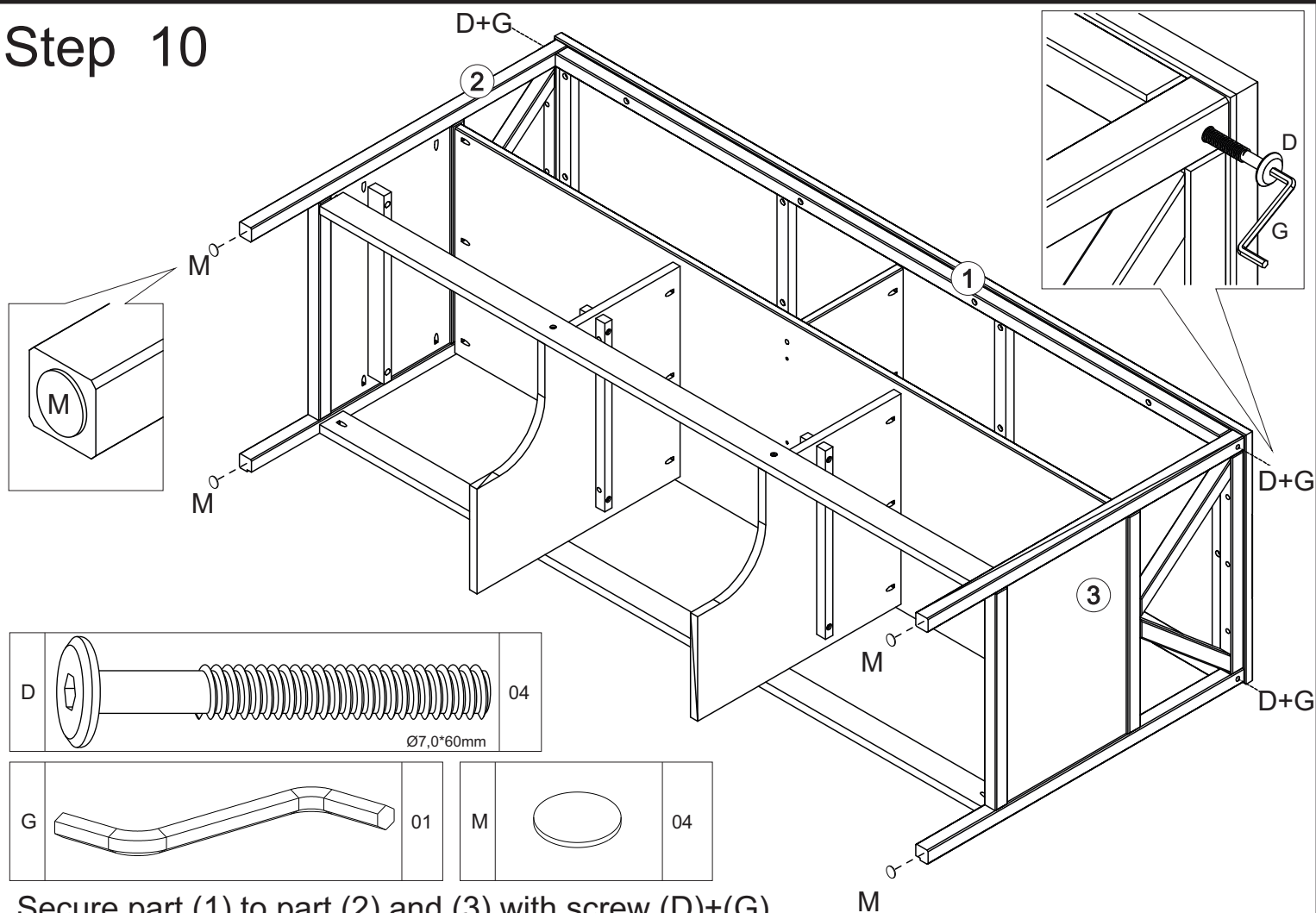
Secure part (2) to part (7) and (8) with screw (B).

Step 9



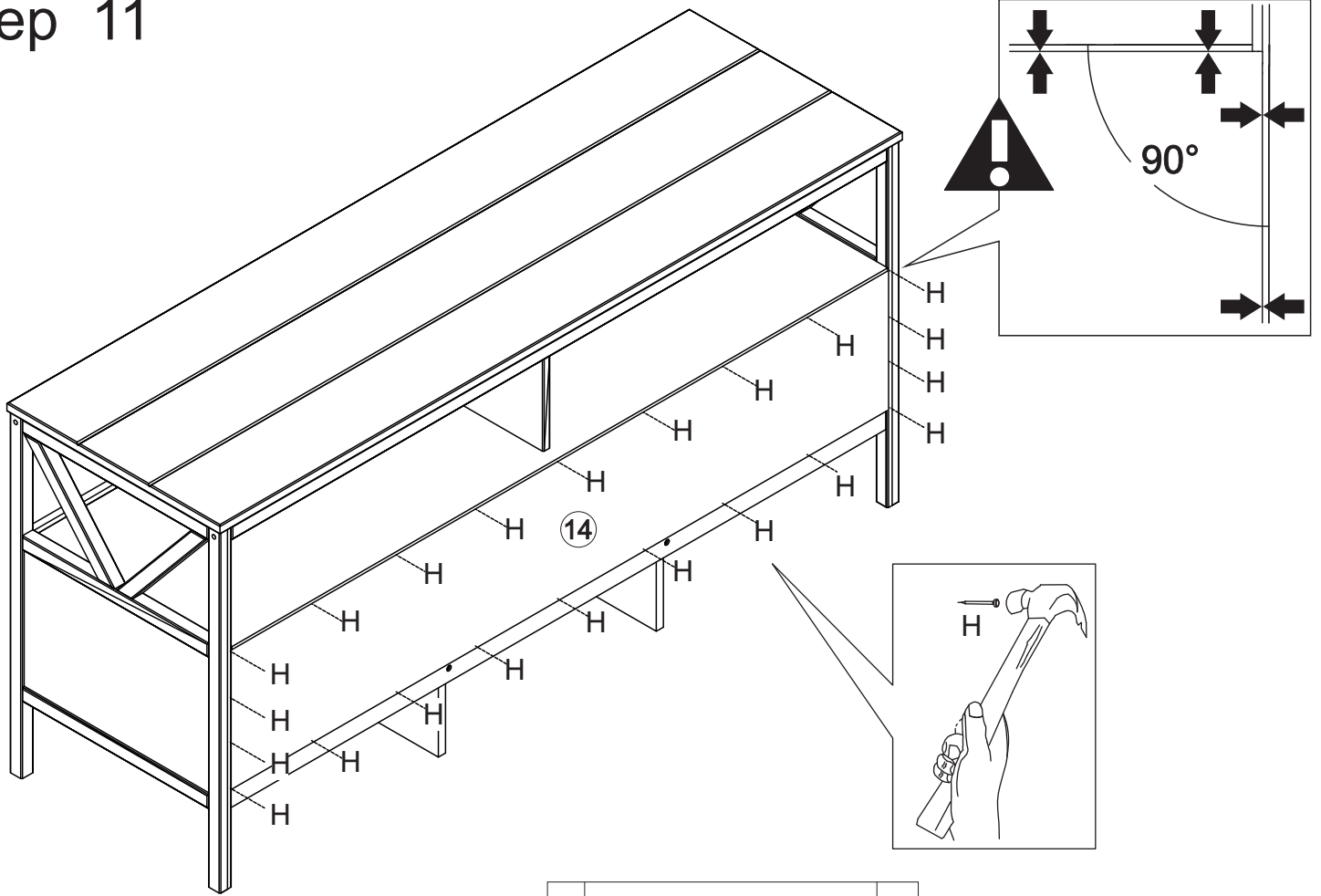
Secure part (1) to part (2), (3) and (4) with screw (B).

Step 10

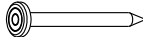


Secure part (1) to part (2) and (3) with screw (D)+(G).
Insert hardware (M) to part (2) and (3)

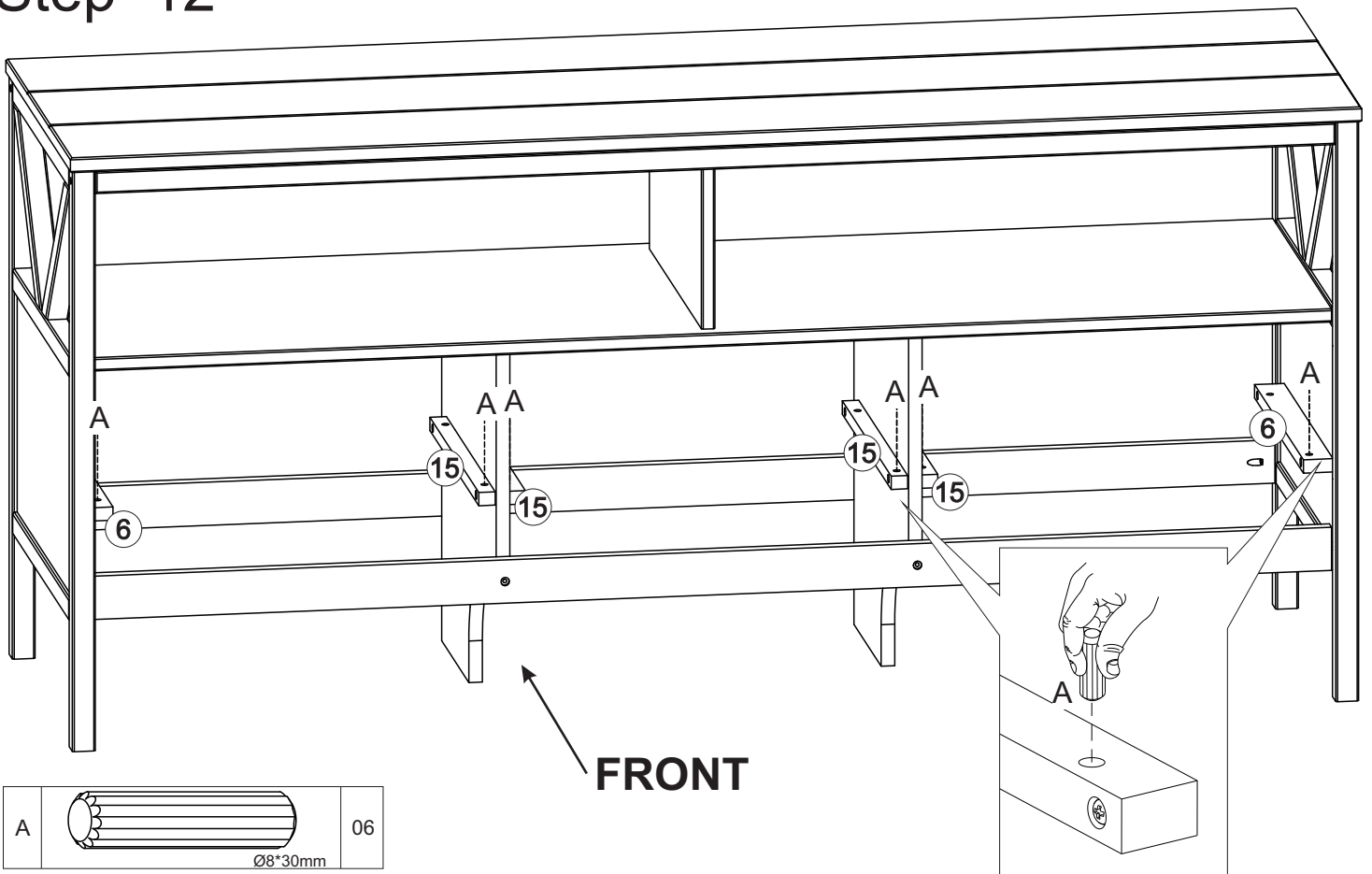
Step 11



Secure back panel (14) with nails (H).

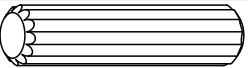
H		22
Ø10*10		

Step 12

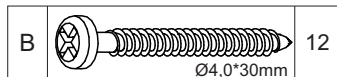
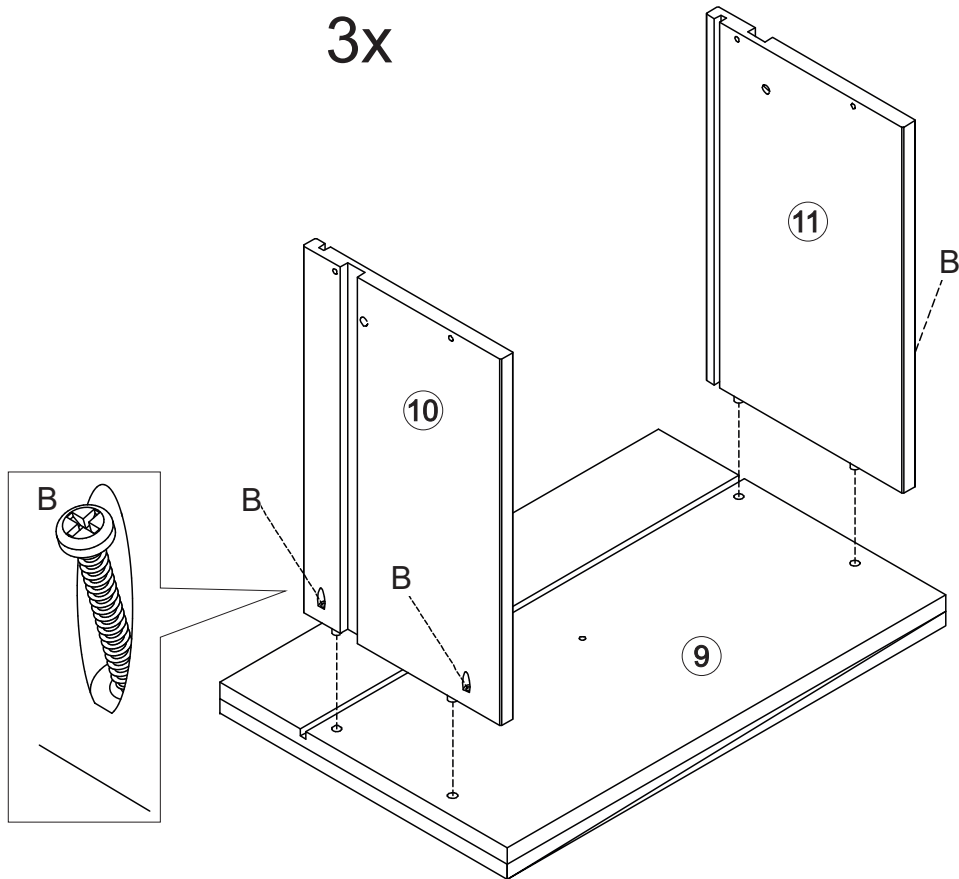


FRONT

Insert Wooden dowel (A) into part (6) and (15).

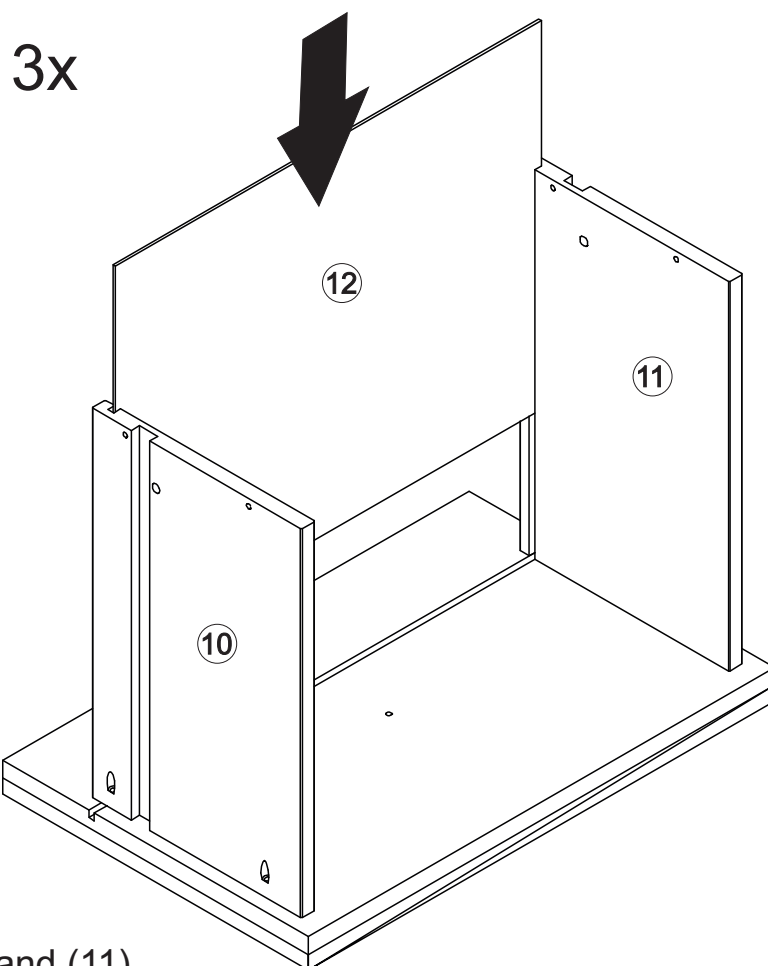
A		06
Ø8*30mm		

Step 13



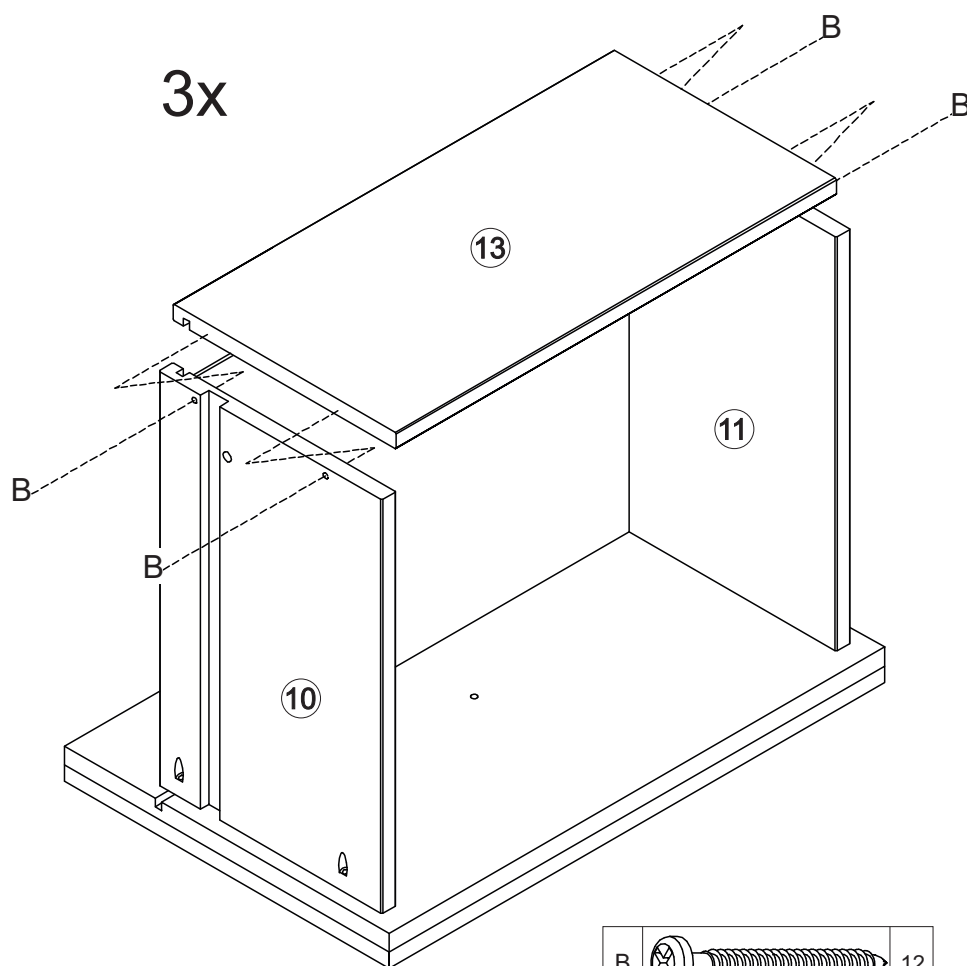
Secure part (10), (11) in drawer front part (9) with screw (B).

Step 14



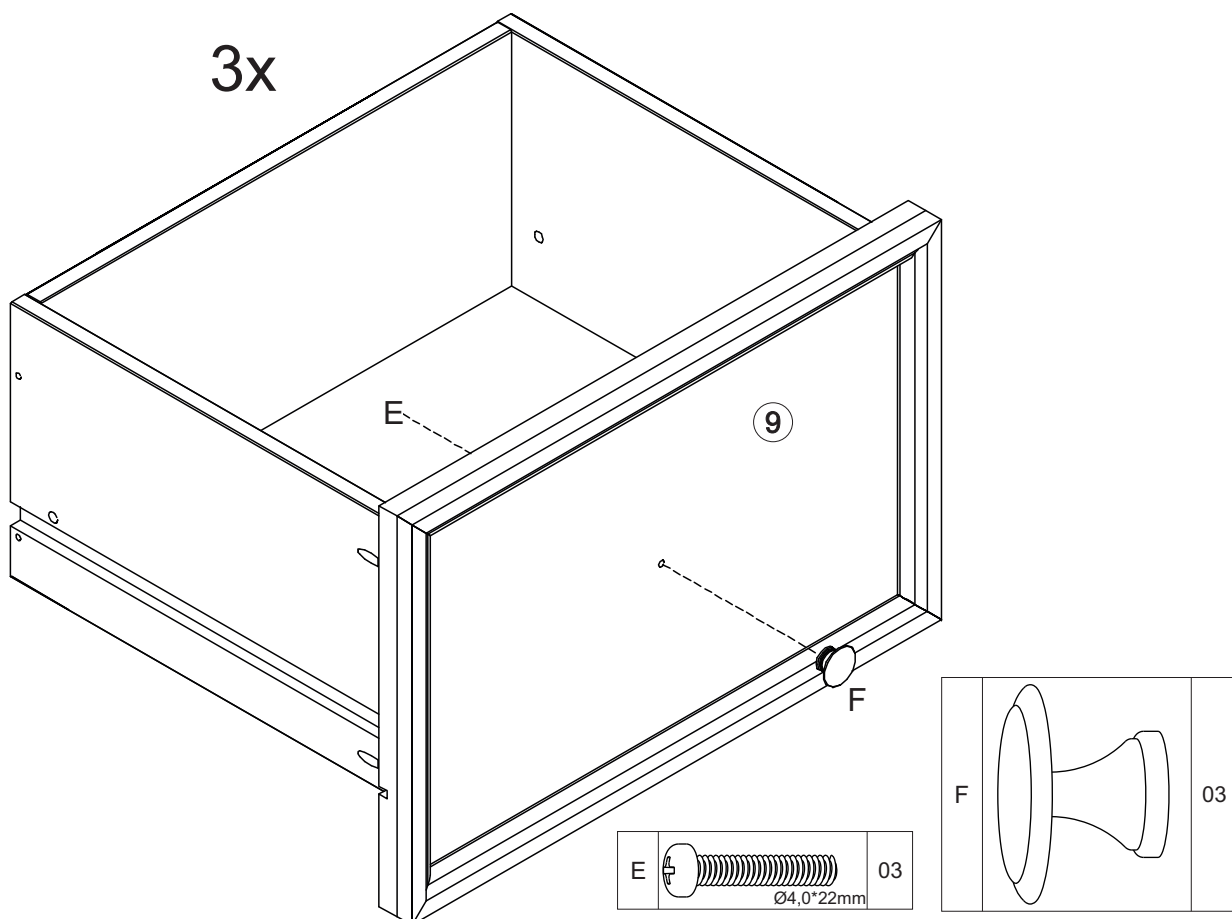
Insert part (12) to part (10) and (11).

Step 15



Secure part (13) to part (10) and (11) with screw (B).

Step 16



Insert Hardware (F) with screw (E).

Step 17

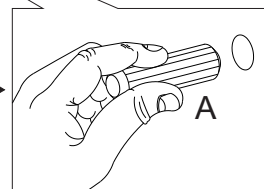
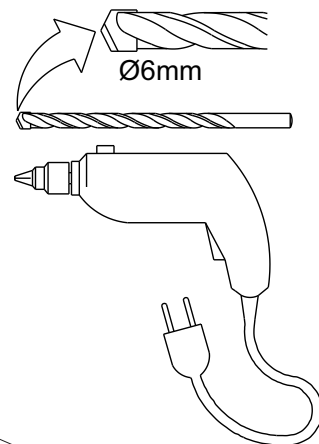
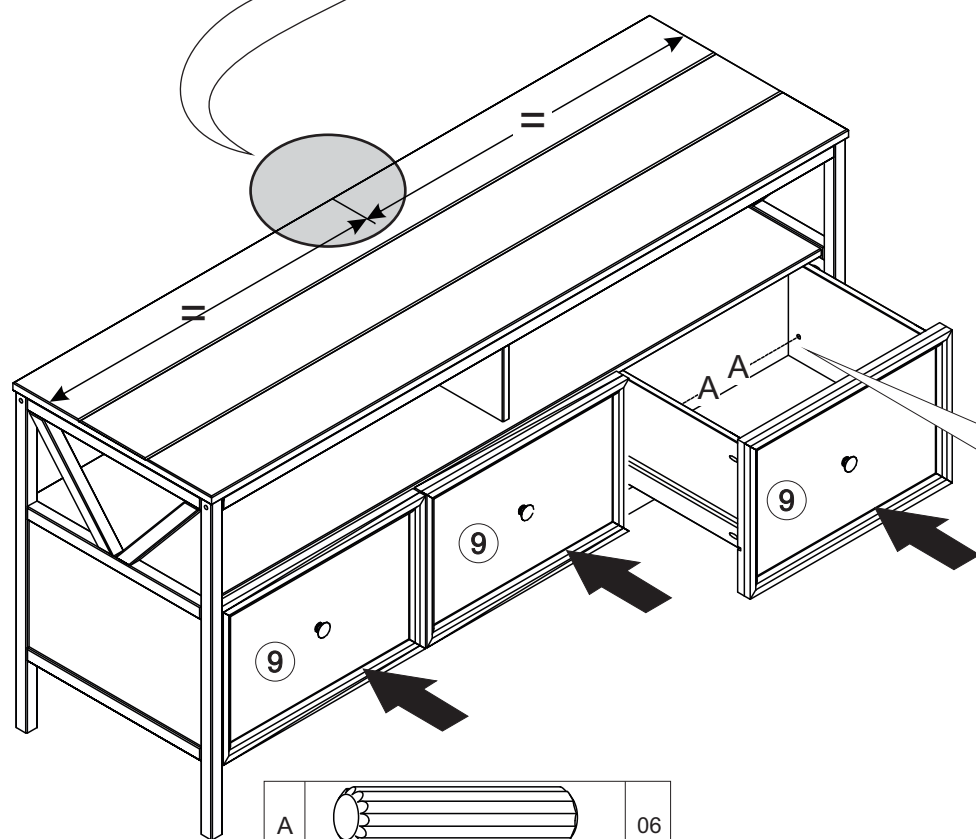
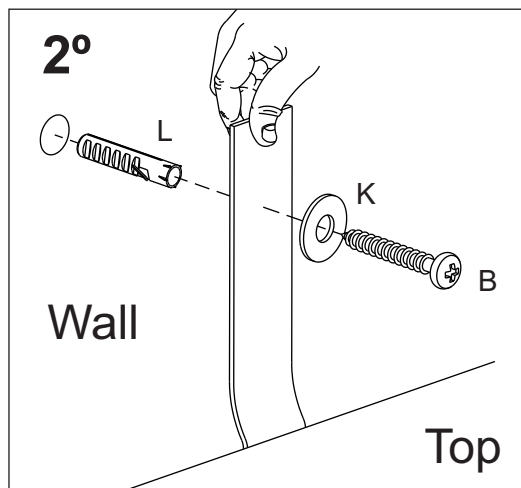
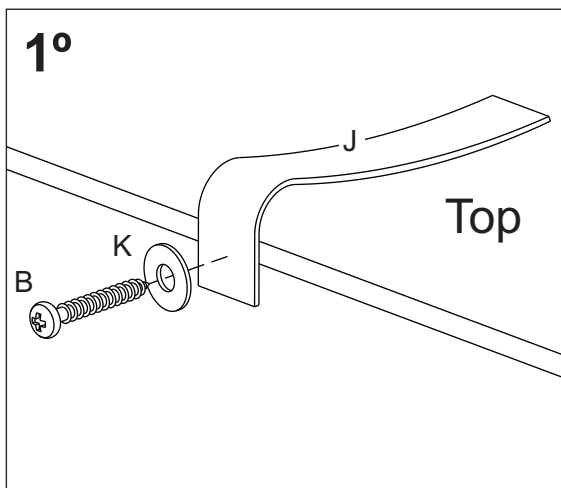
WARNING

Serious or fatal injuries can occur from furniture tipping over. To prevent the furniture from tipping over we recommend that it is permanently fixed to the wall.

Wall anchor and hardware are included with this product. Please make sure hardware is suitable for your walls before installing, as different wall materials may require different types of anchors.

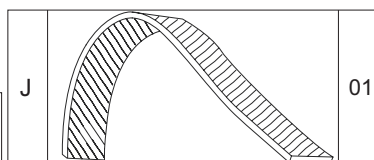
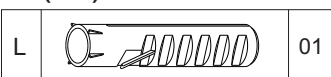
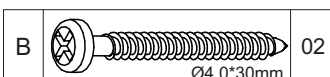
Attach screw (B) into washer (K), securing wall anchor (L) at the top middle part 1.

Drill your wall with a 6mm drill (not included) and insert hardware (L), securing wall anchor (J) gift washer (K) and screw (B) in the wall.



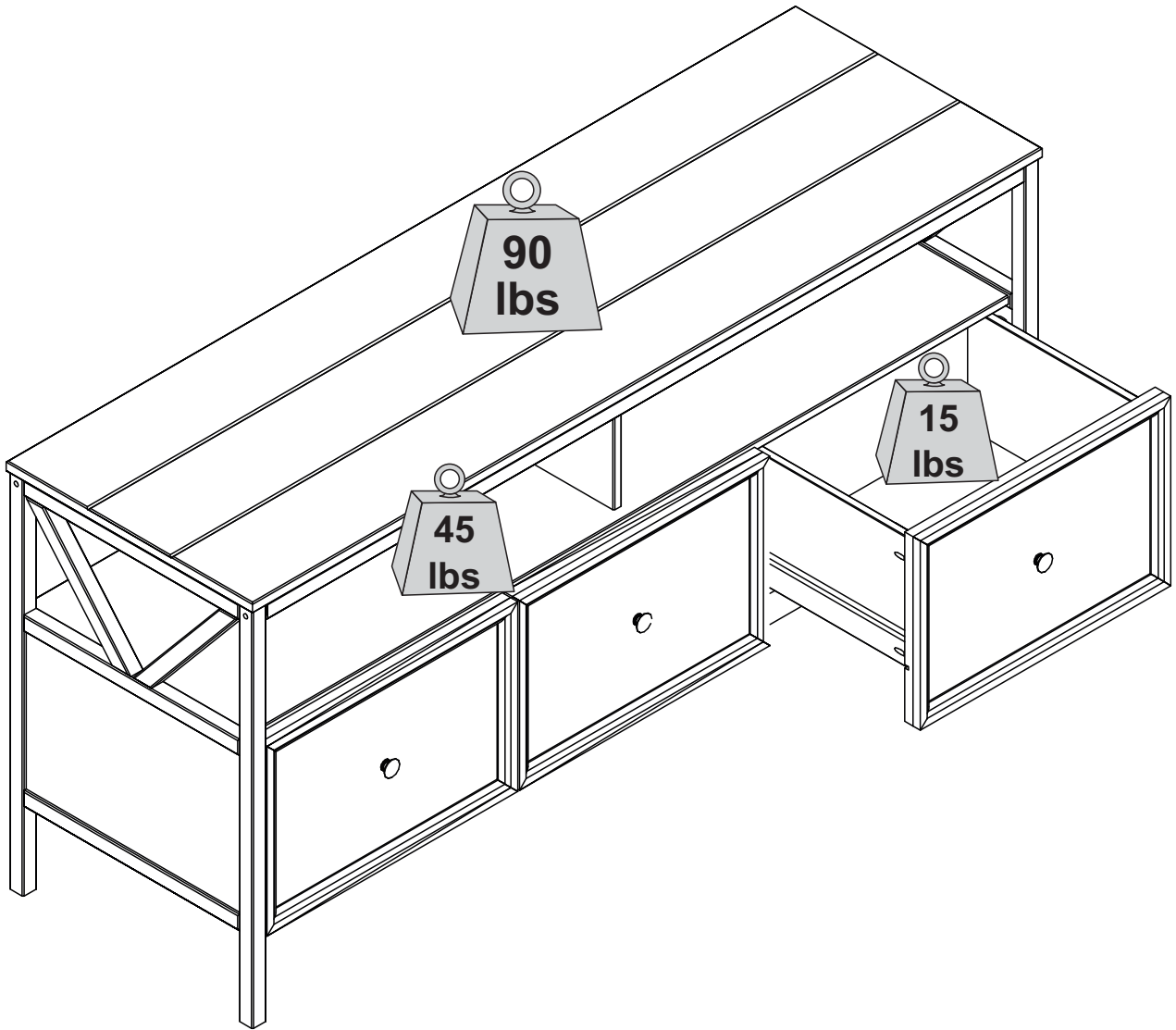
Insert part (9).

Insert Wooden dowel (A) into part (10) and (11).



Name and address information for the manufacturer responsible for the anti-tip hardware and date of production can be found on the label on the back of the furniture.

Step 18



Assembly Complete!

Maintenance Guide

To maintain long term performance and easy gliding of your solid wood drawers, we recommend applying wax to the wooden guide rails.

1. Bee's wax is recommended or Paraffin wax from a standard candle can be used.
2. Apply the wax by rubbing it on the wooden guide rails where there is wood-on-wood contact when opening and closing the drawer. (Wax should be room temperature, do not melt the wax onto the wood)
3. Wax should be applied every few months for the first year and then only when needed after that to keep the drawers sliding smoothly.