


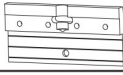
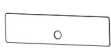
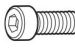

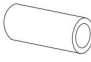


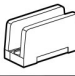
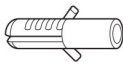
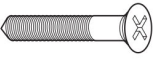
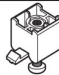





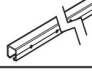


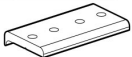


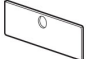

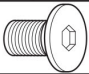
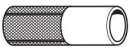
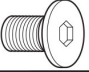
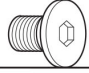






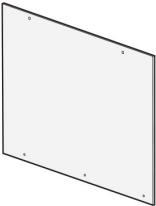
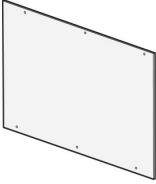
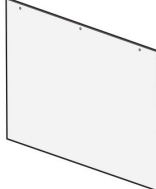
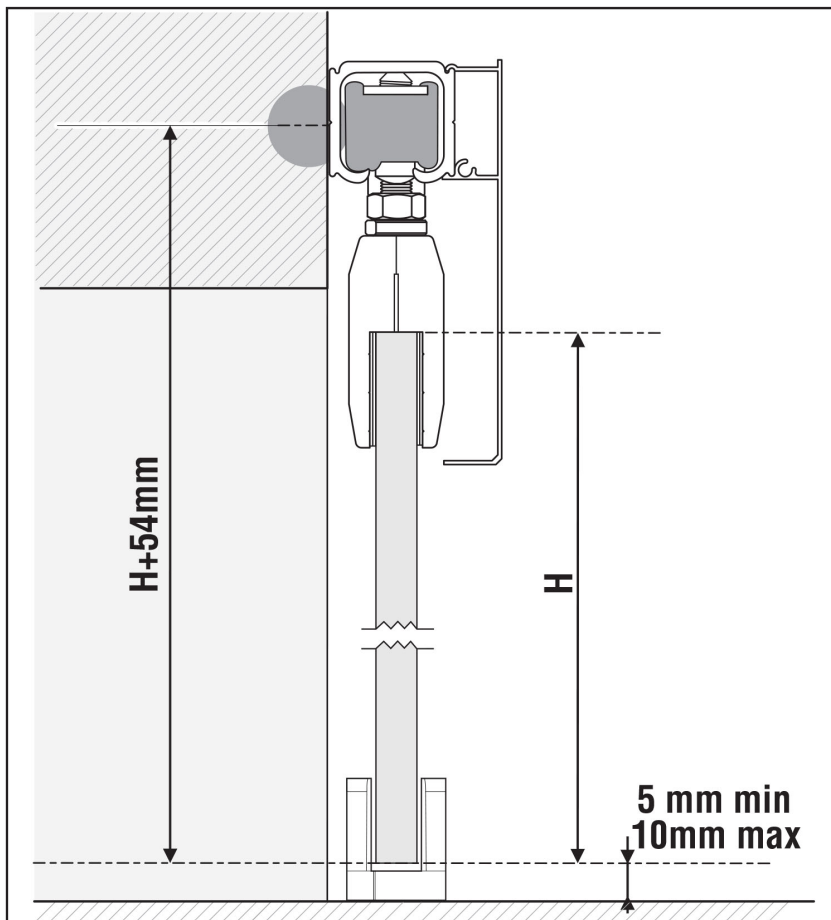
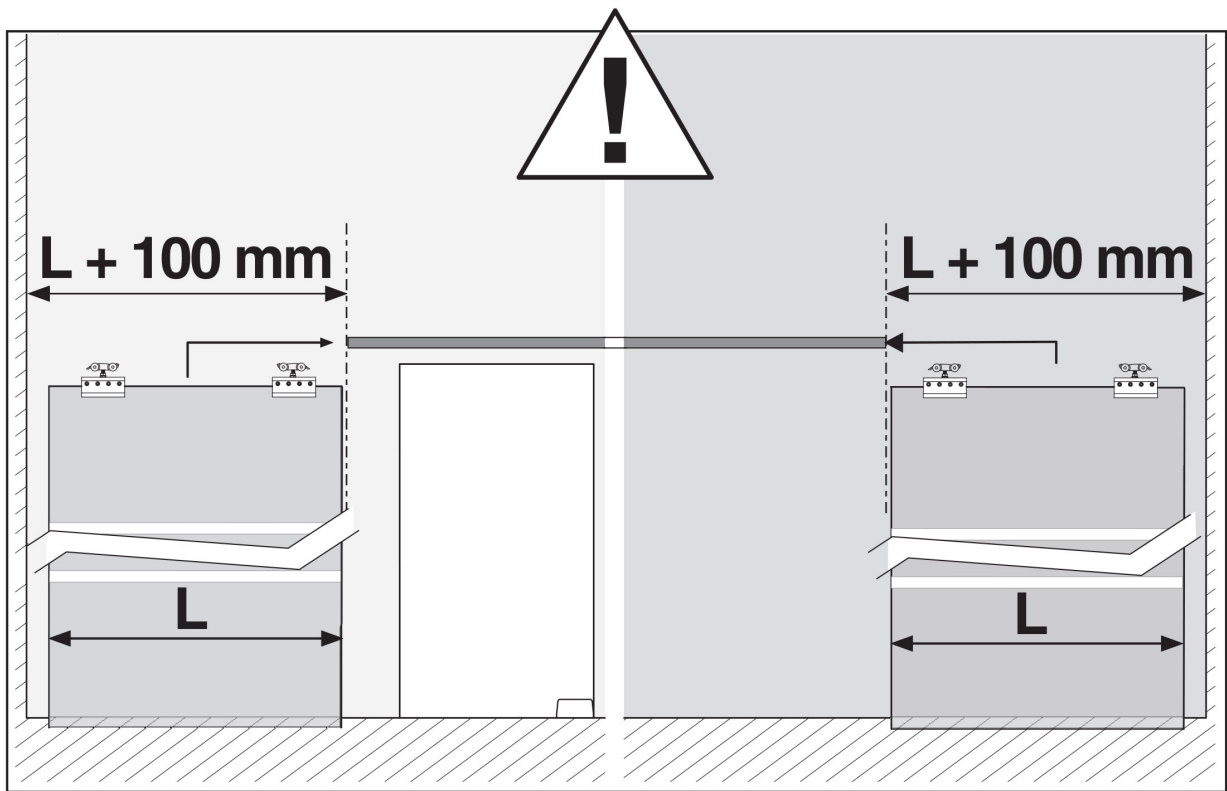


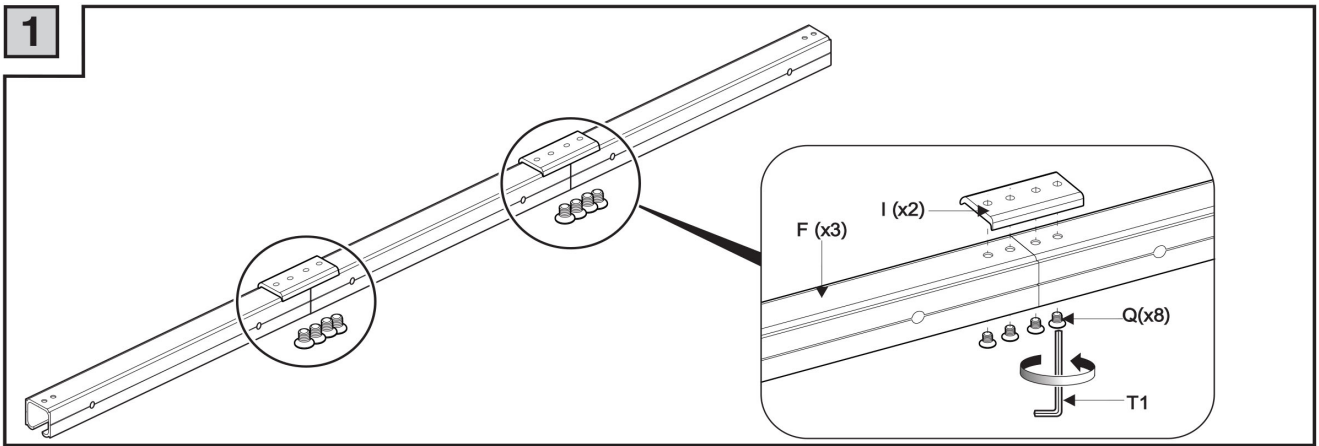
A				
	A-①		2	
	A-②		2	
	A-③		2	
	A-④		14	
	A-⑤		8	M6x14
	A-⑥		2	
	A-⑦		2	Ø6x19
	A-⑧		2	Ø8xØ6x12
B				
	B-①		1	
	B-②		2	Ø8
	B-③		2	ST4.2x32
C			2	
D				
	D-①		2	
	D-②		2	
	D-③		1	
E			3	590mm
F			3	590mm
G			2	750mm
H			2	750mm

I		3	
J		2	
K		3	
L		24+4	
M		12	
N		6	M6x25
O		6	M6x25
P		6	M6x14.5
Q		12	M5x8
R		2	ST4.2x9.5
S		4	
T1		1	3mm
T2		1	4mm
T3		1	5mm
U		1	
V		1	677x750x6
W		1	677x750x6
X		1	677x750x6

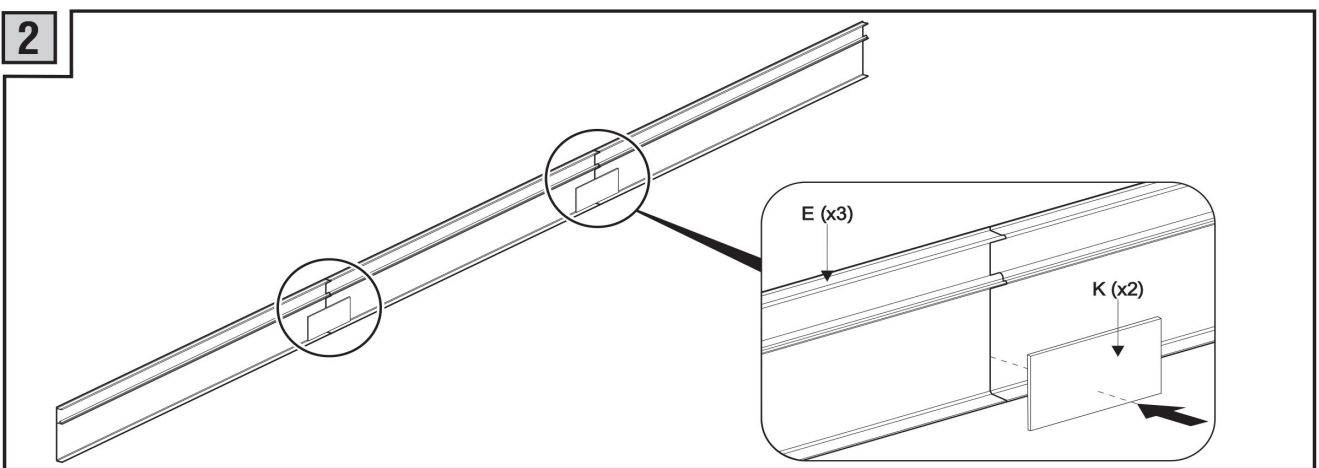




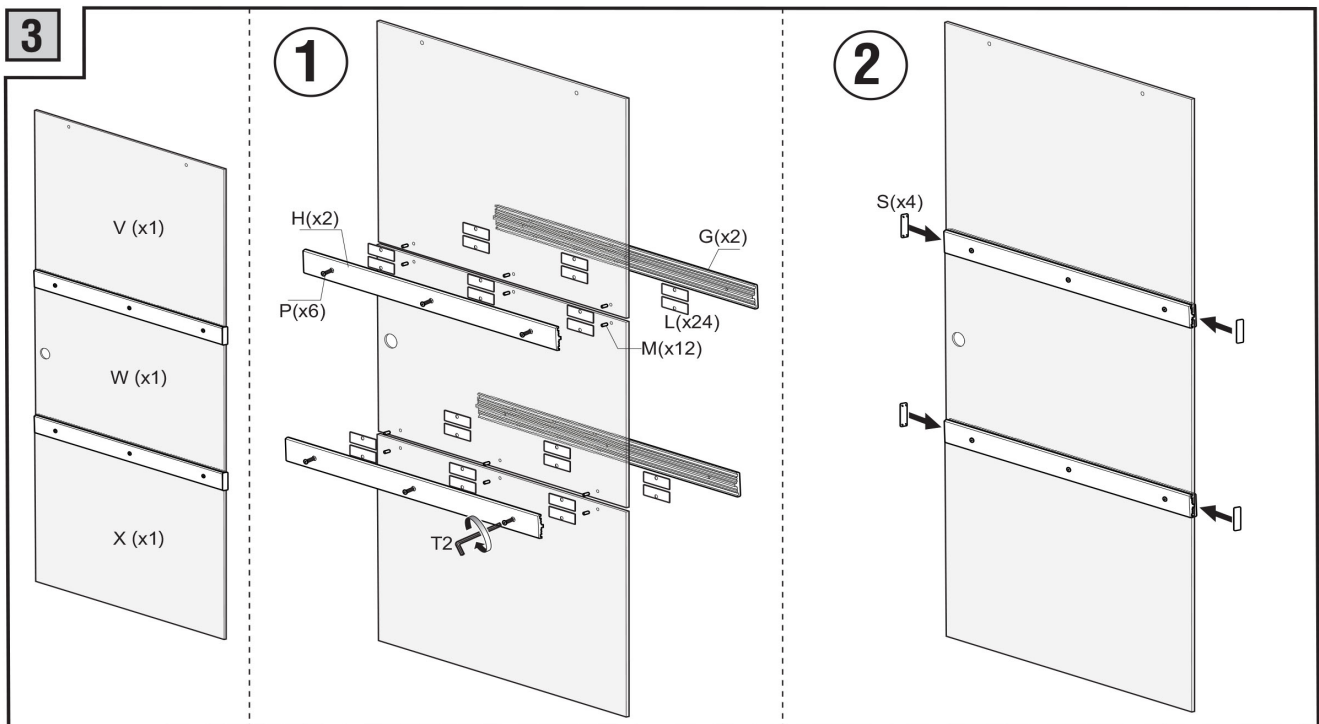
1

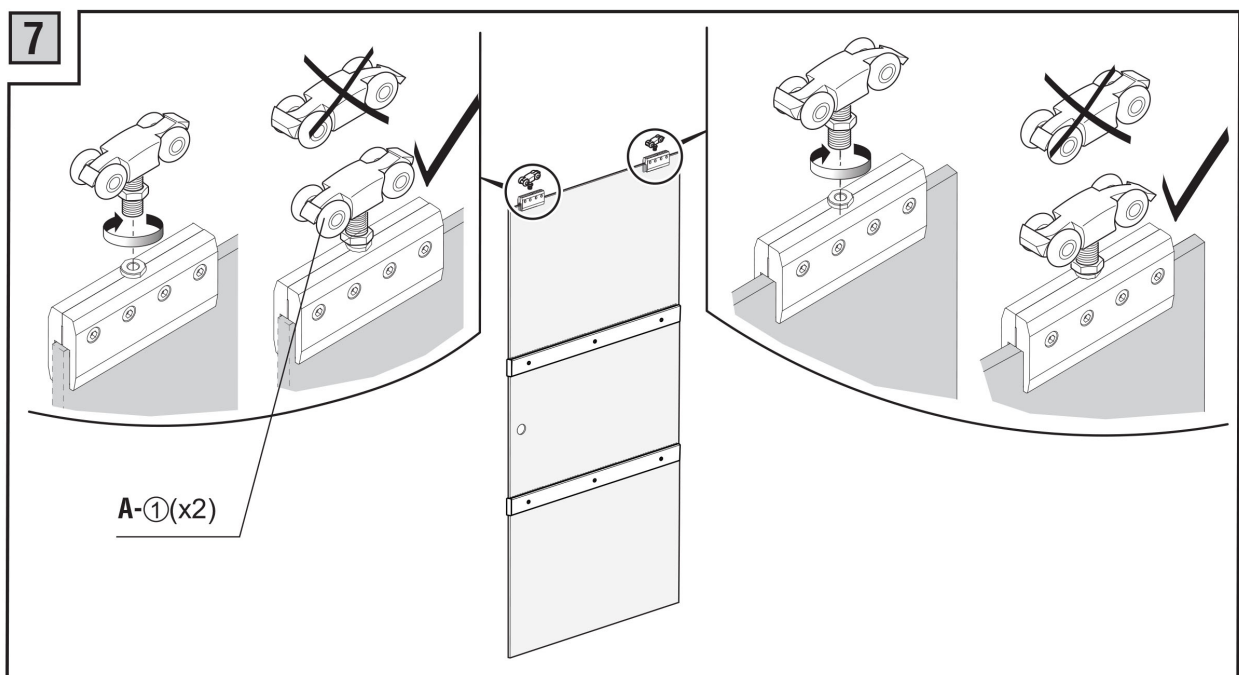
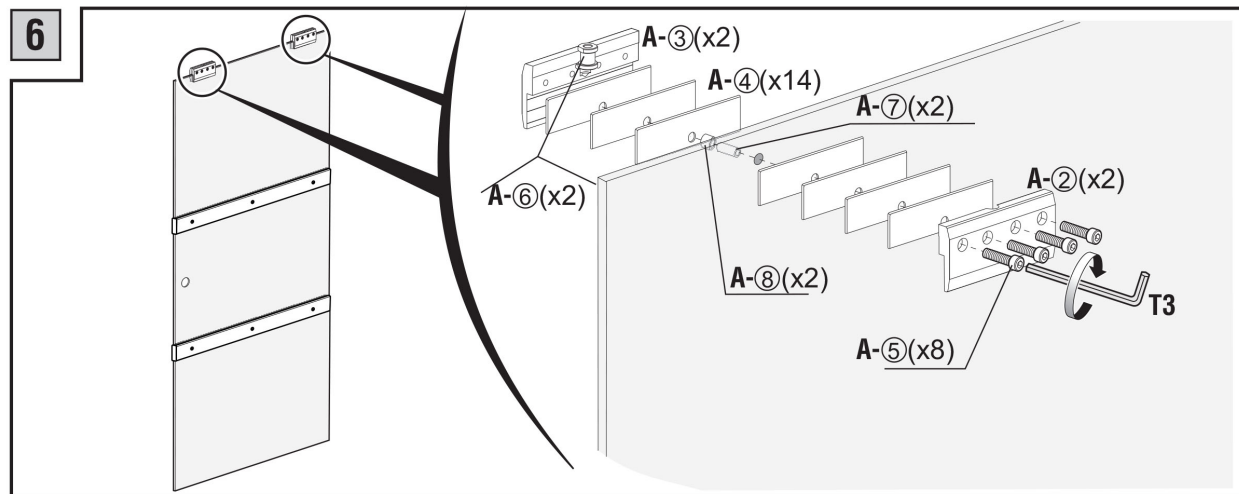
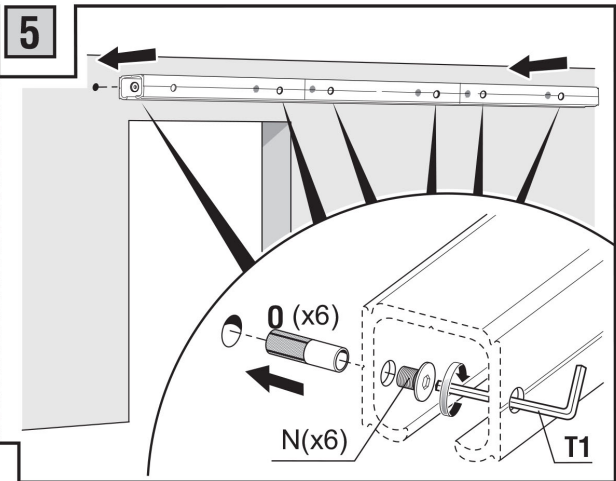
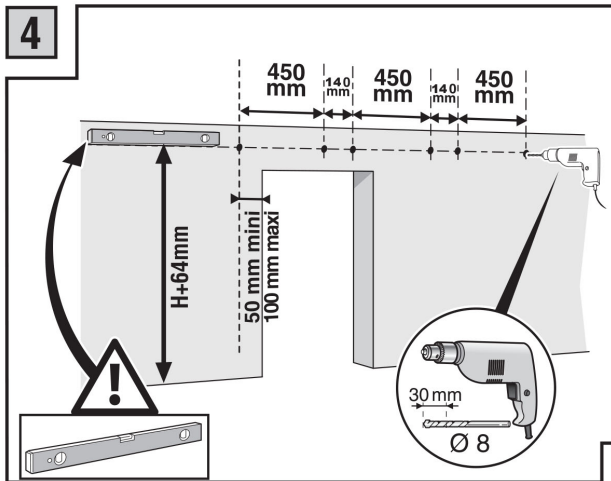


2

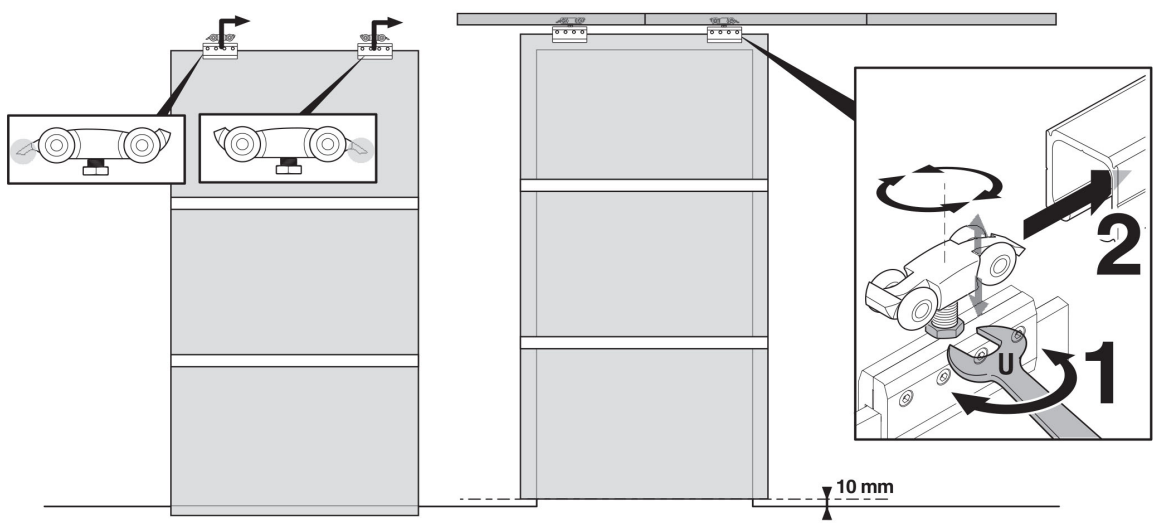


3

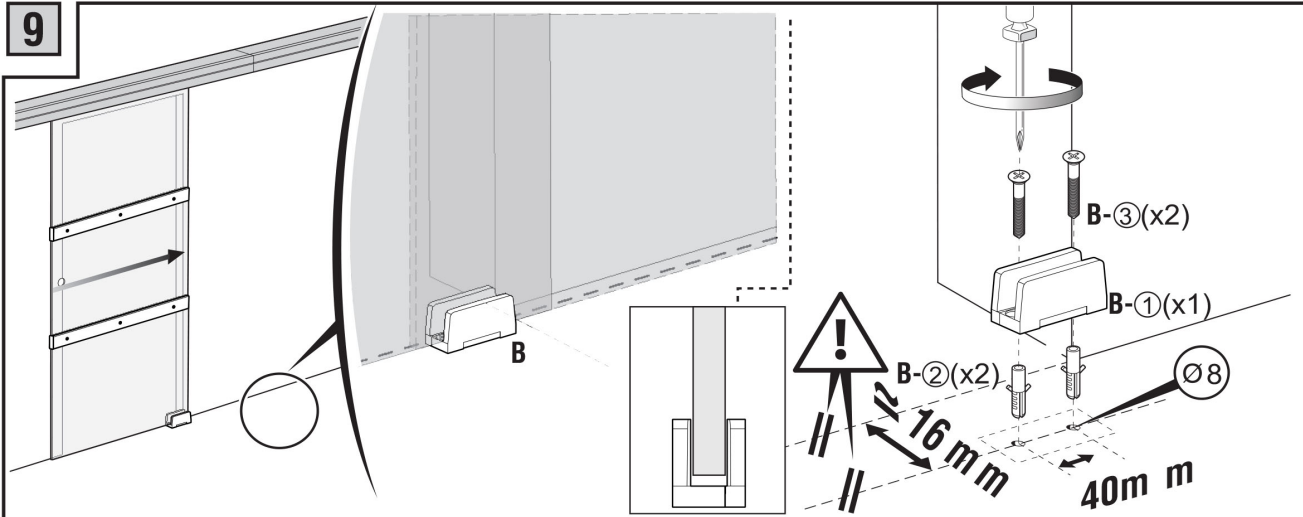




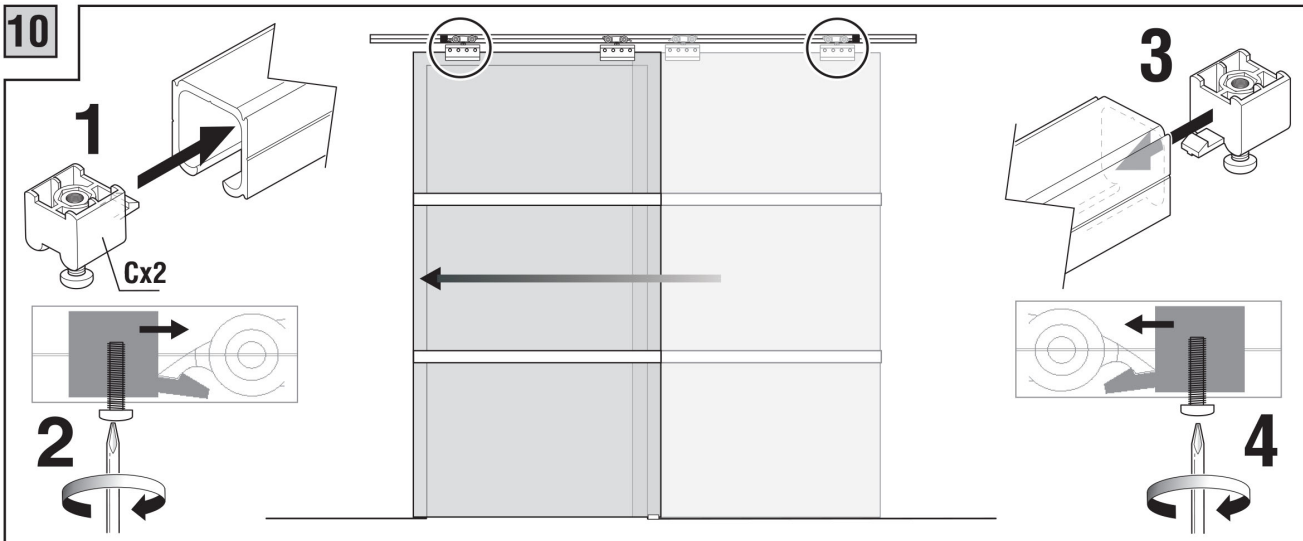
8



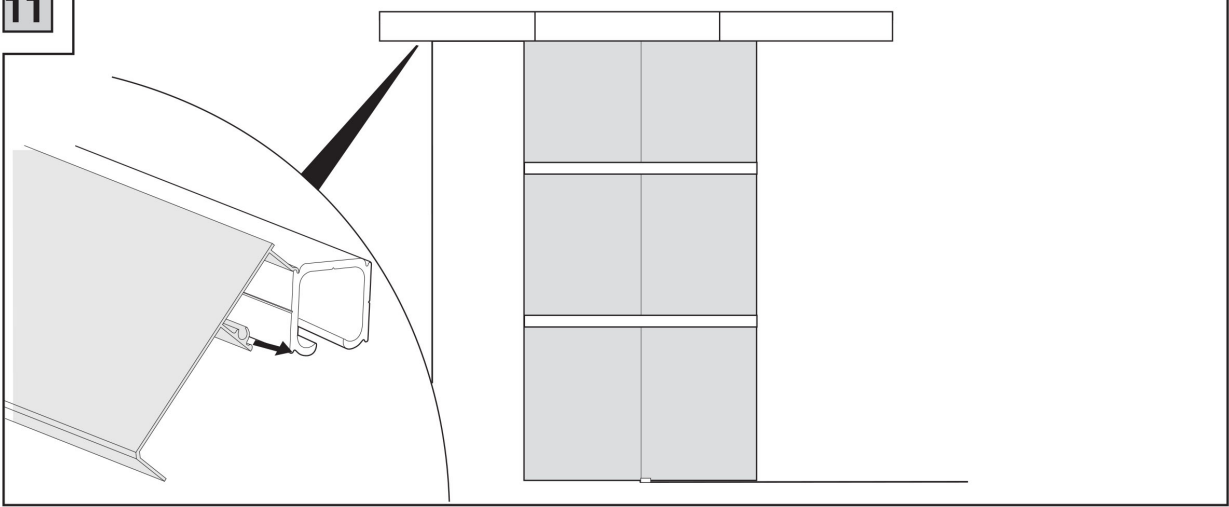
9



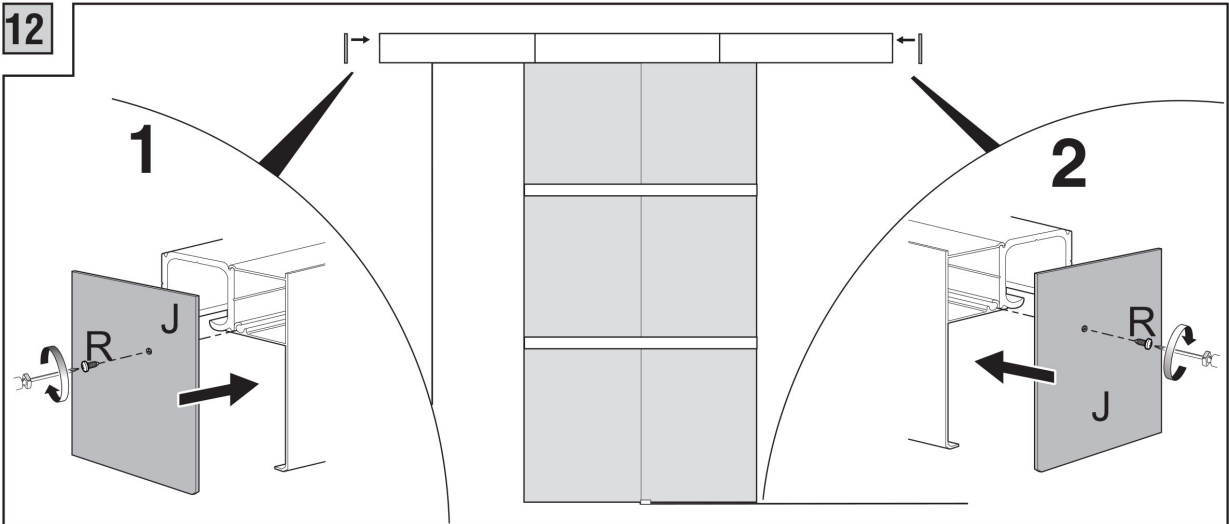
10



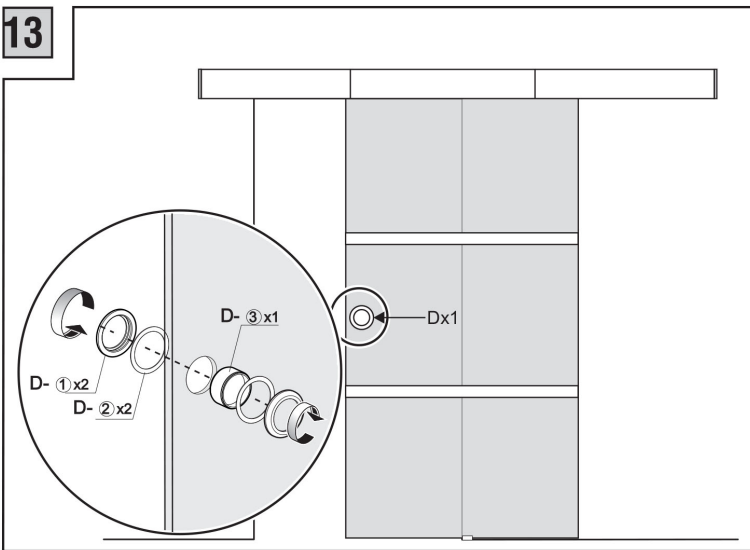
11

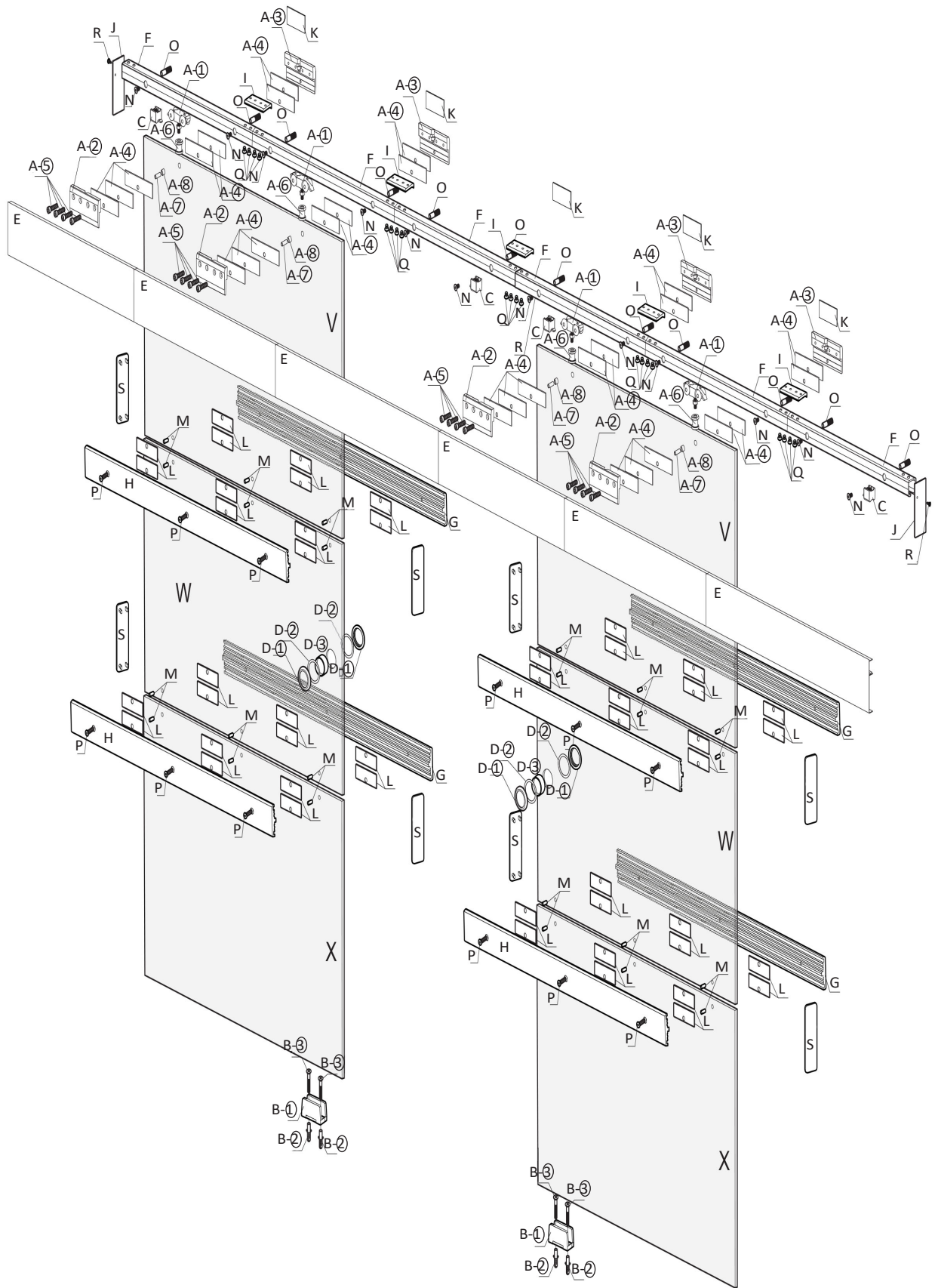


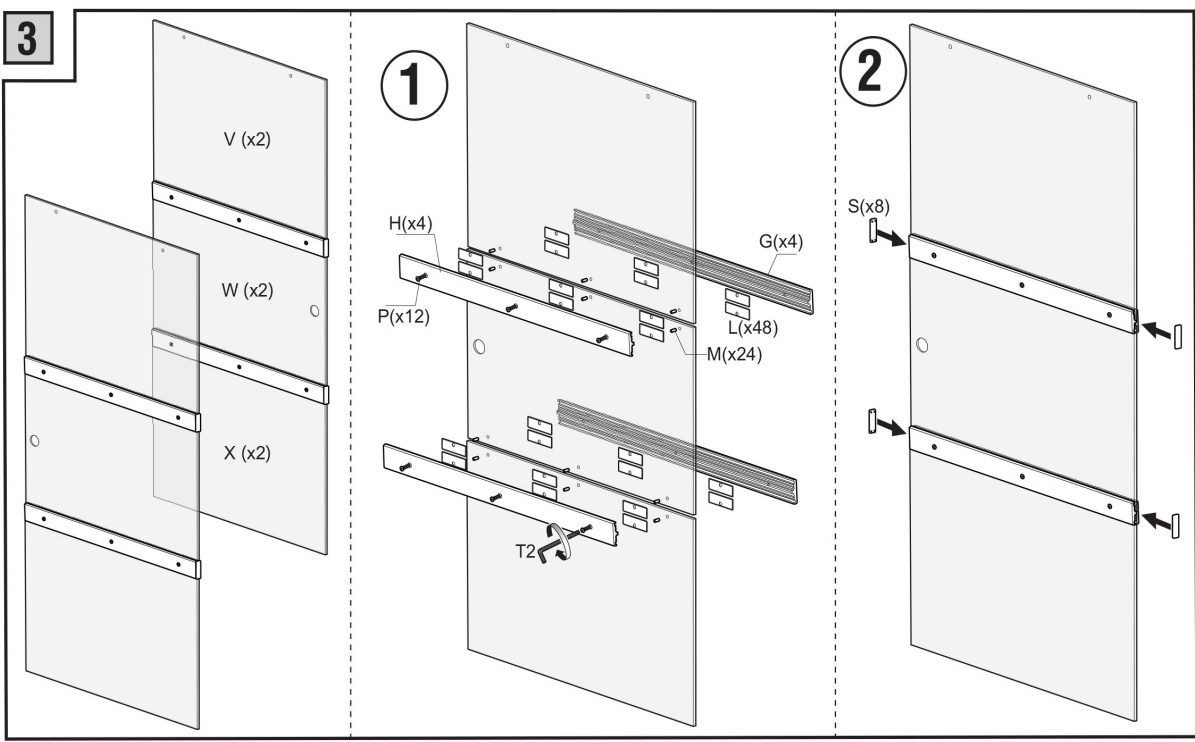
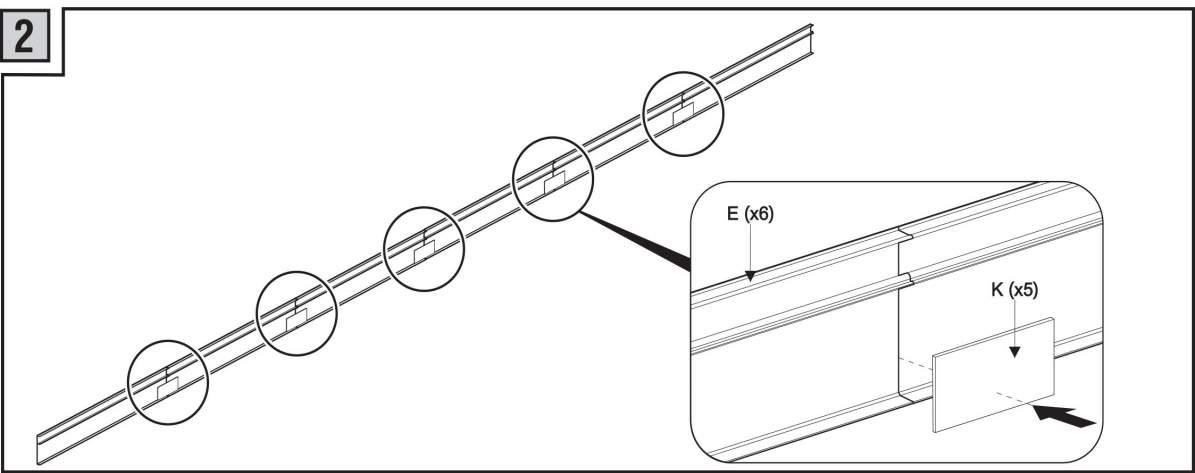
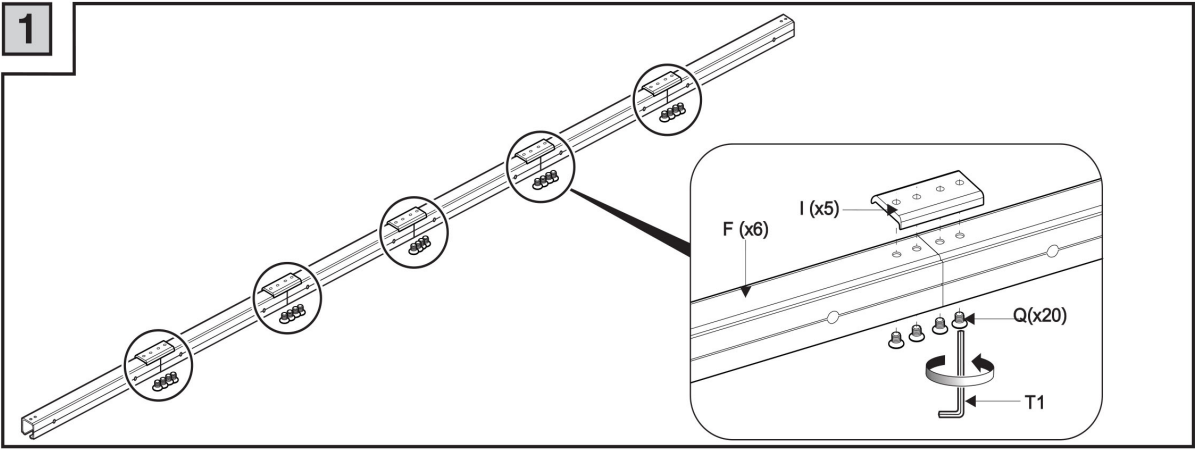
12

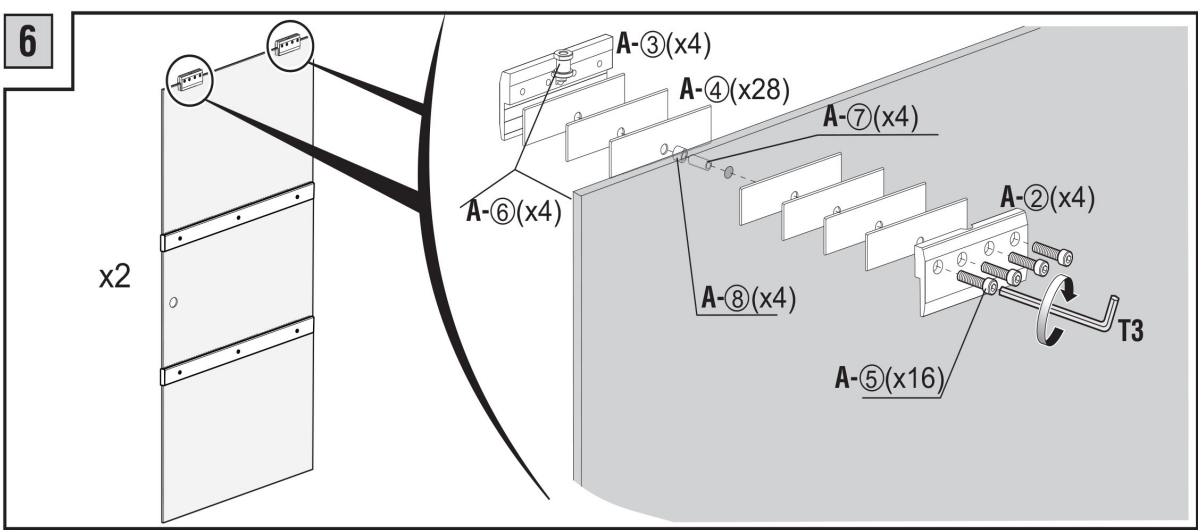
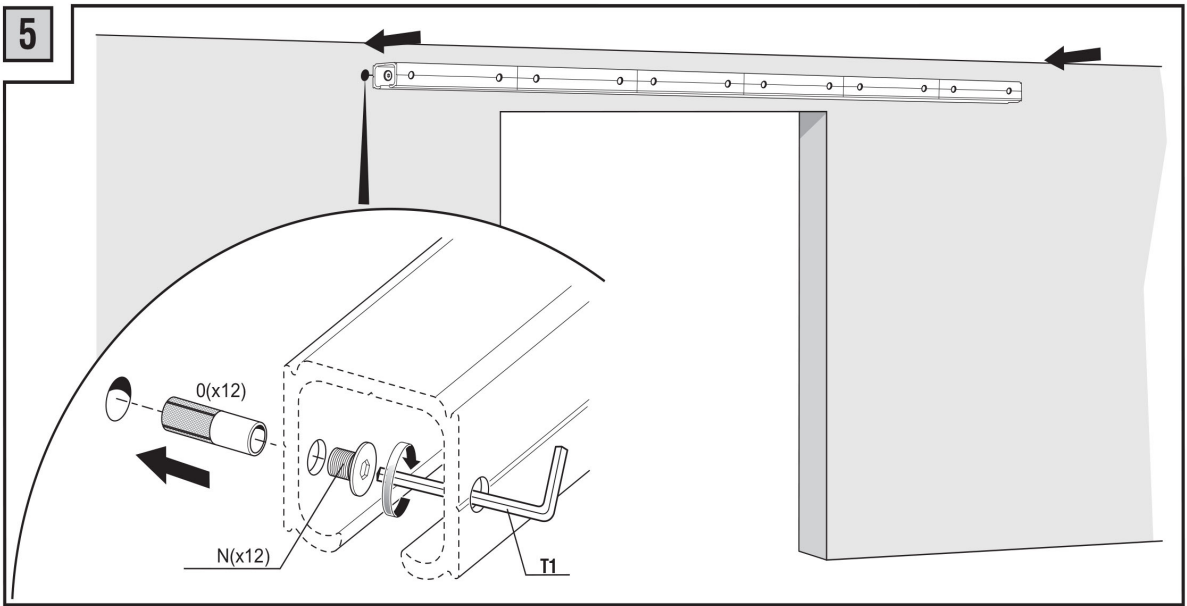
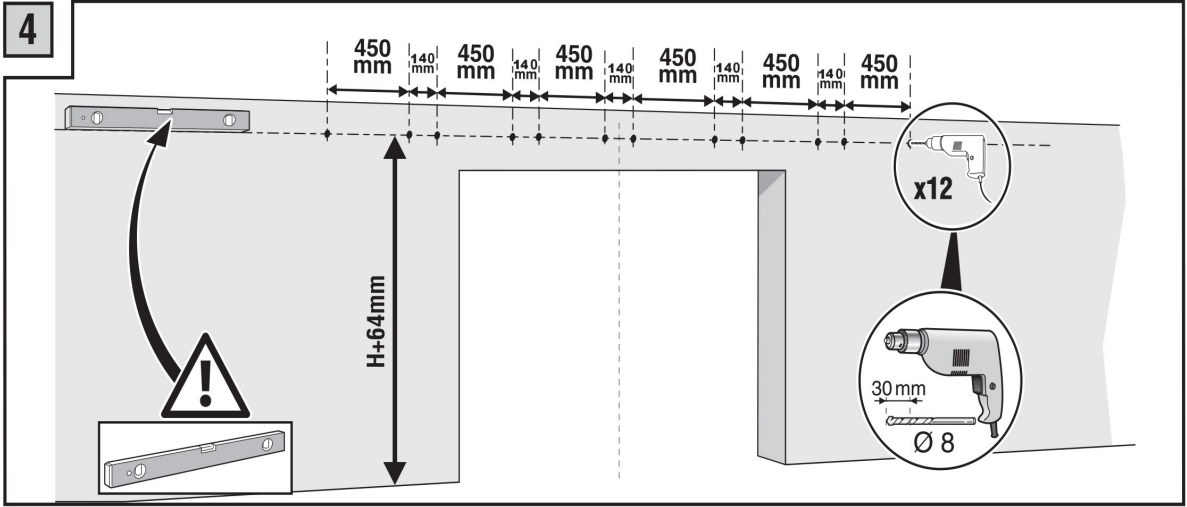


13

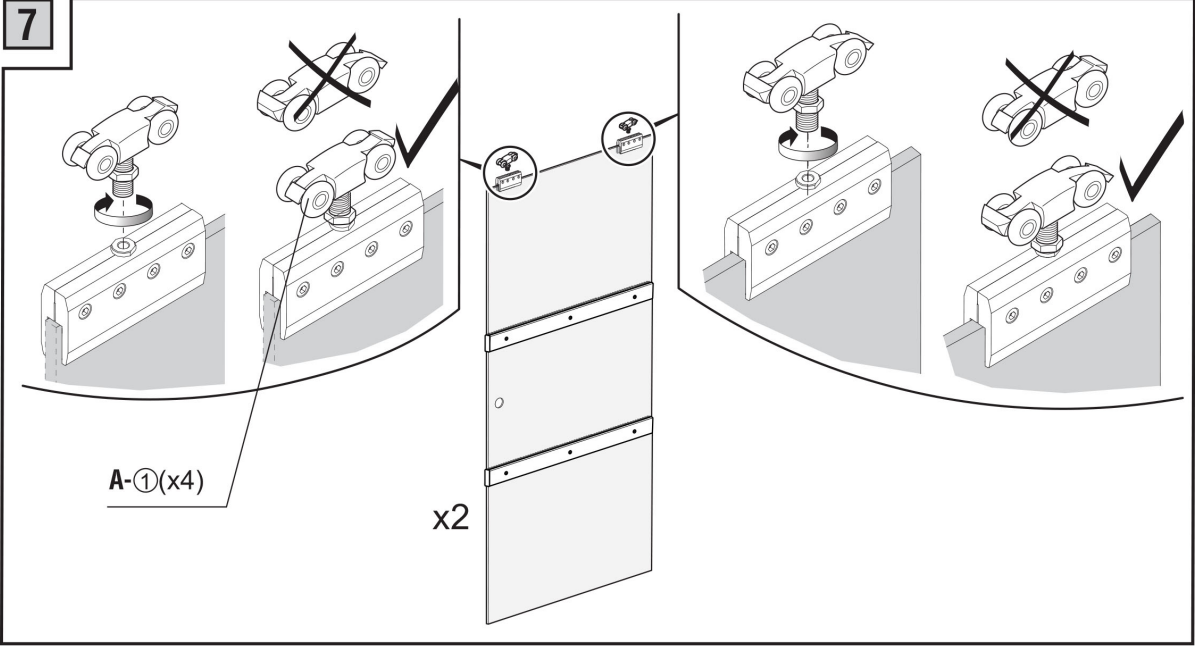




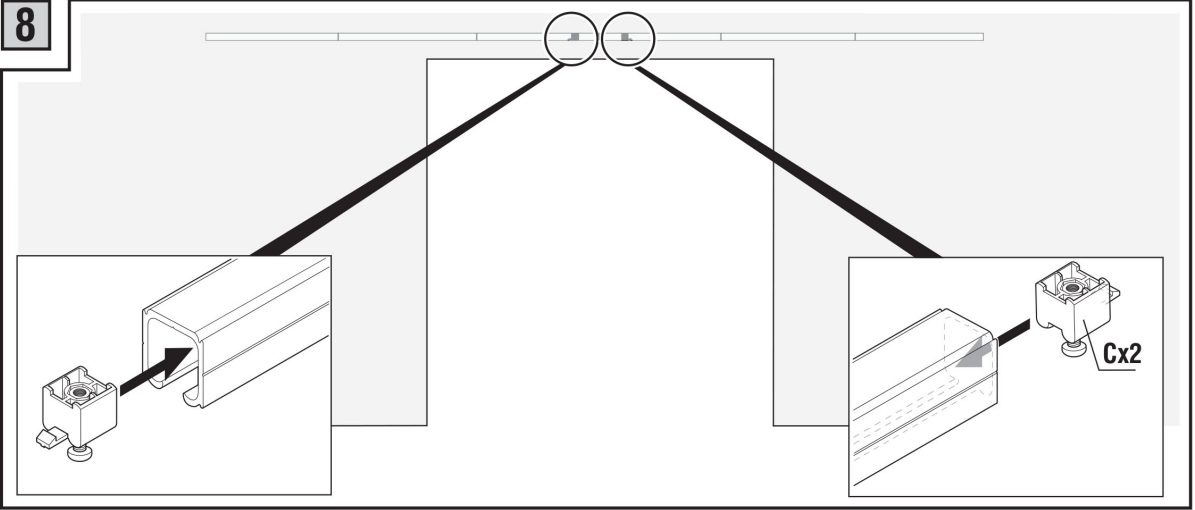




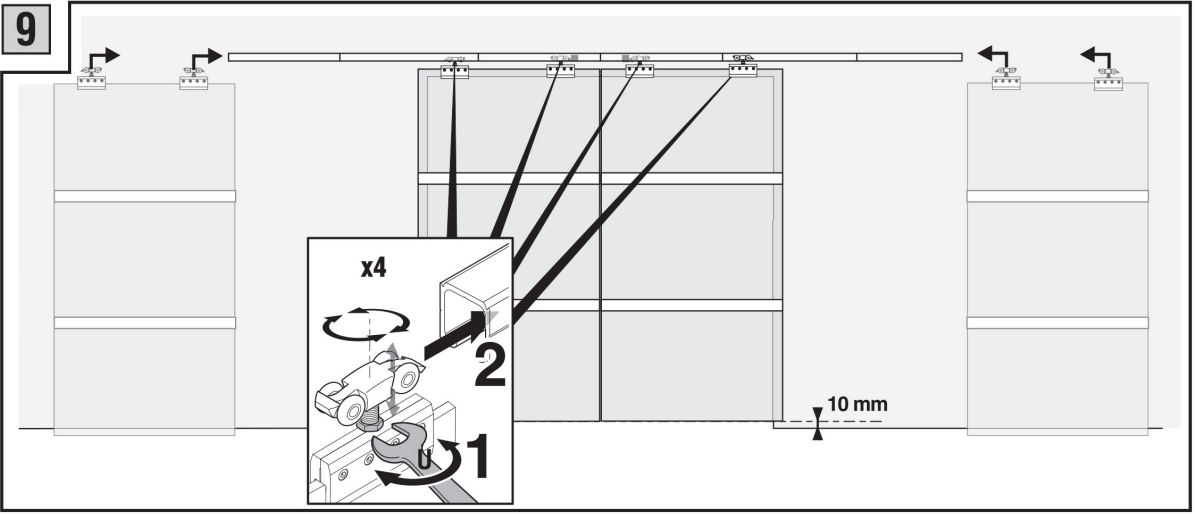
7



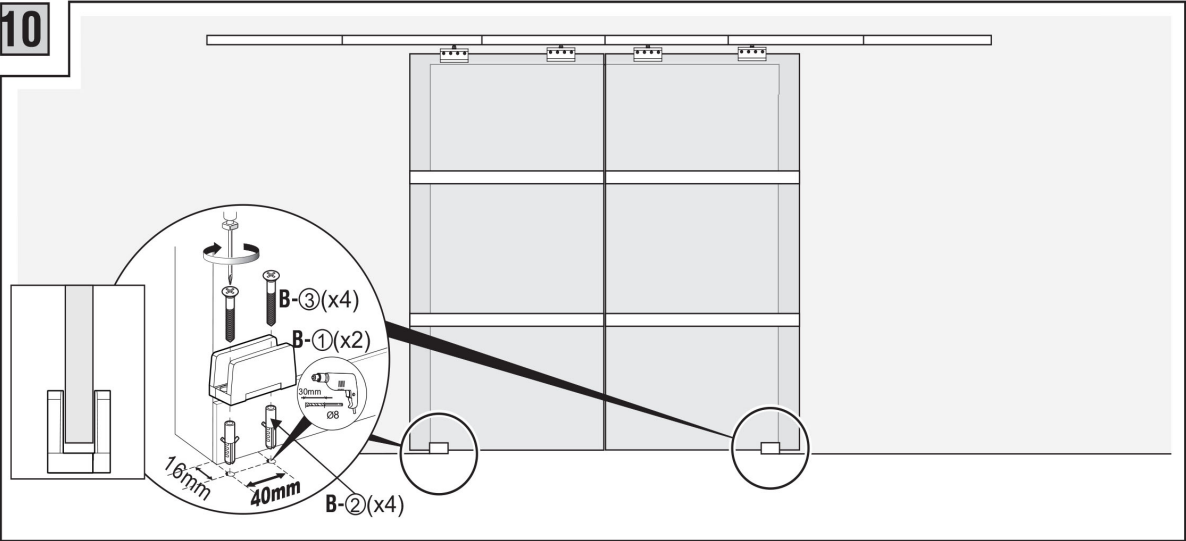
8



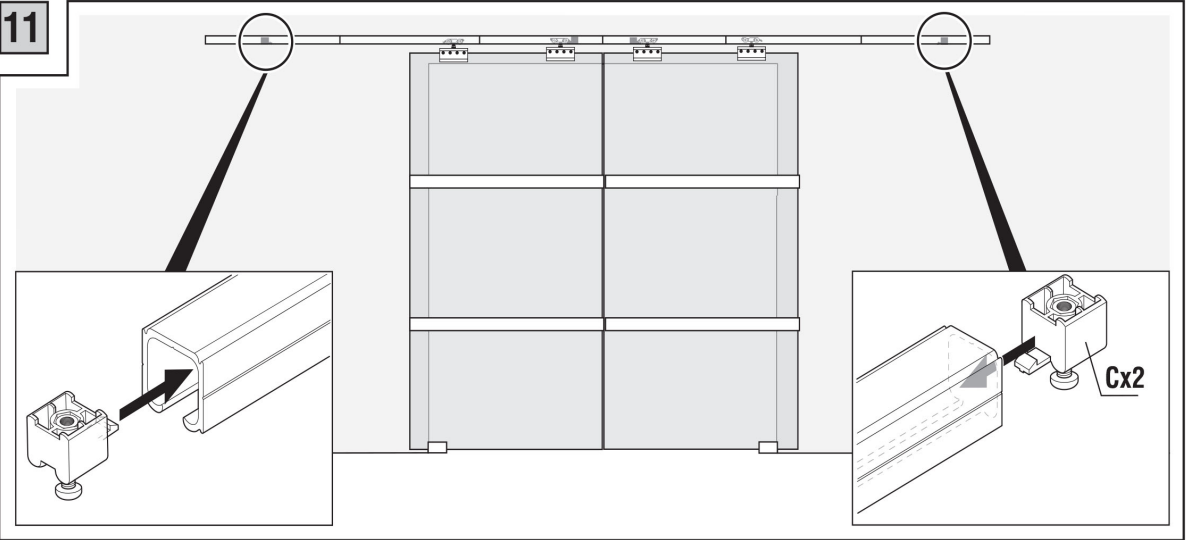
9



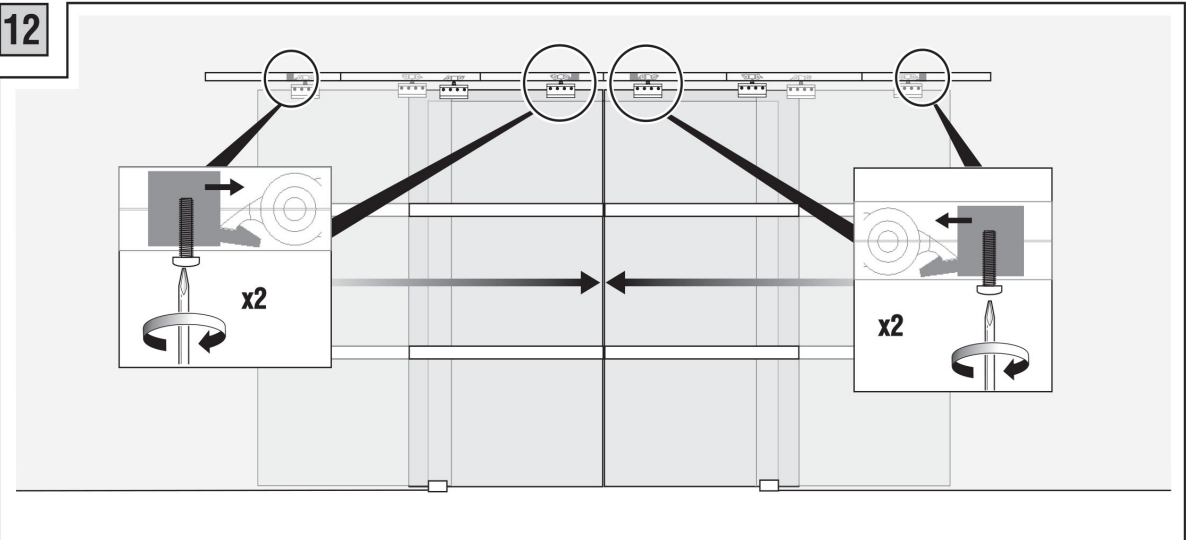
10



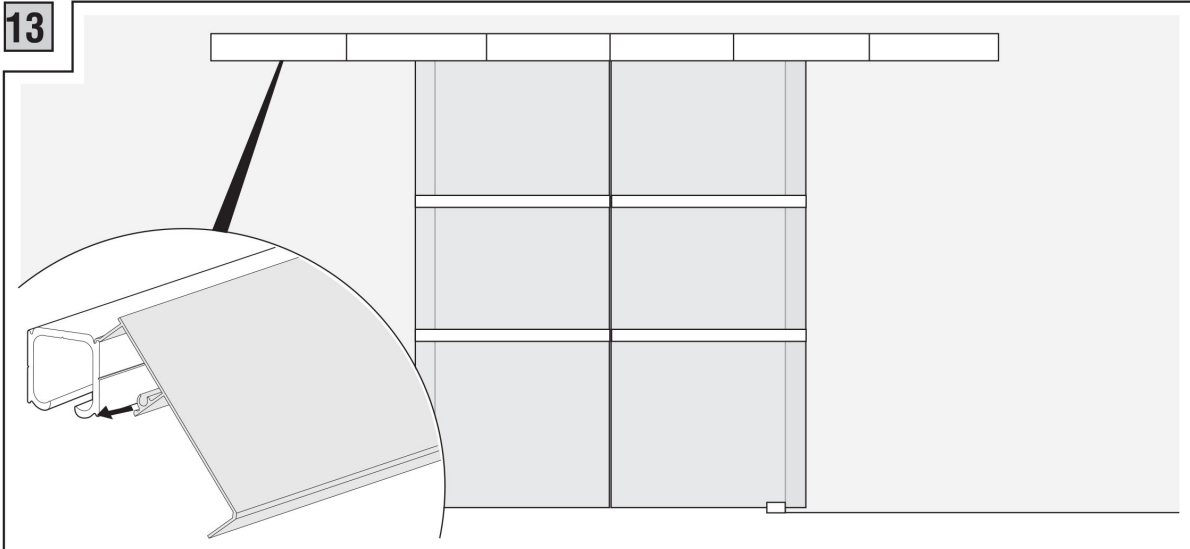
11



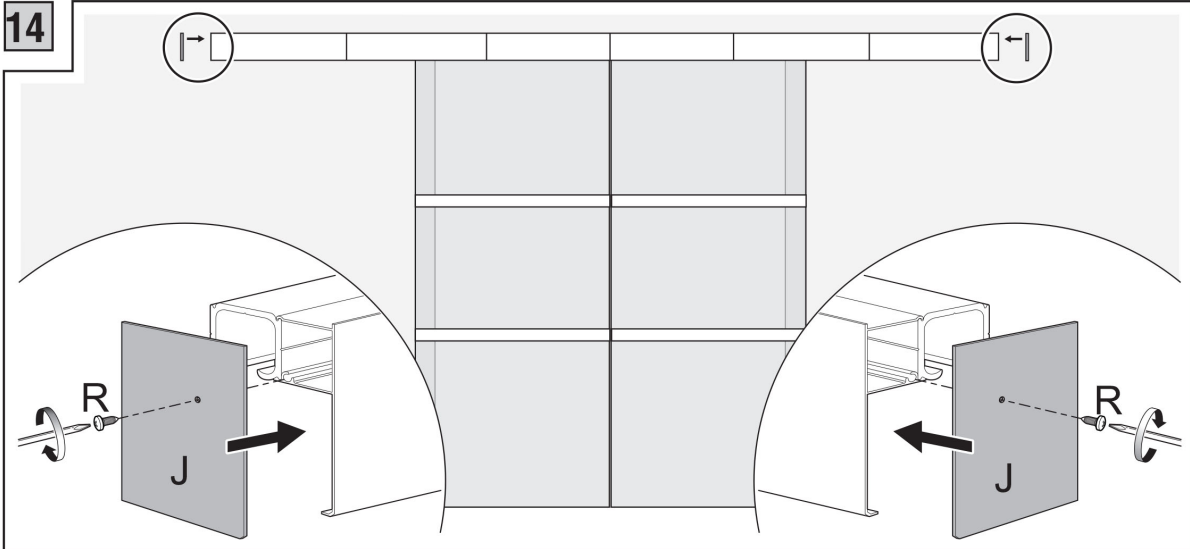
12



13



14



15

