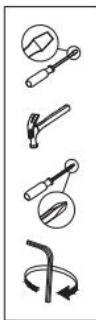


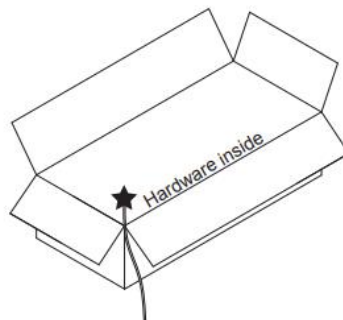
USER'S MANUAL **BED FRAME (KING SIZE)**

THIS INSTRUCTION BOOKLET CONTAINS **IMPORTANT** SAFETY INFORMATION. PLEASE READ AND KEEP FOR FUTURE REFERENCE.

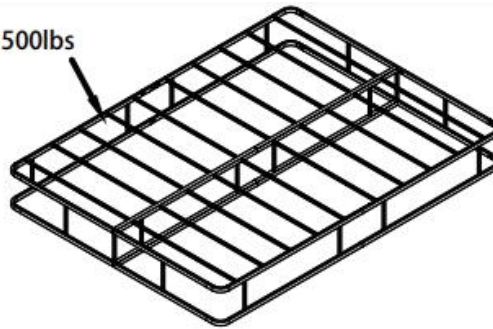
Before You Start



- ⚠ Read each step carefully before starting. It is very important to ensure each step followed in correct order, otherwise assembly difficulties may occur.
- ⚠ Most of board parts are labeled or stamped on the raw edges. Have a check to make sure all parts are included.
- ⚠ Work in a spacious area, preferably on a carpet close to where the unit will be used.
- ⚠ Keep the handtools close at hand. Do not use power tools to assemble your furniture. They may scratch or damage the parts.



Weight Limits : 500lbs



PART LIST

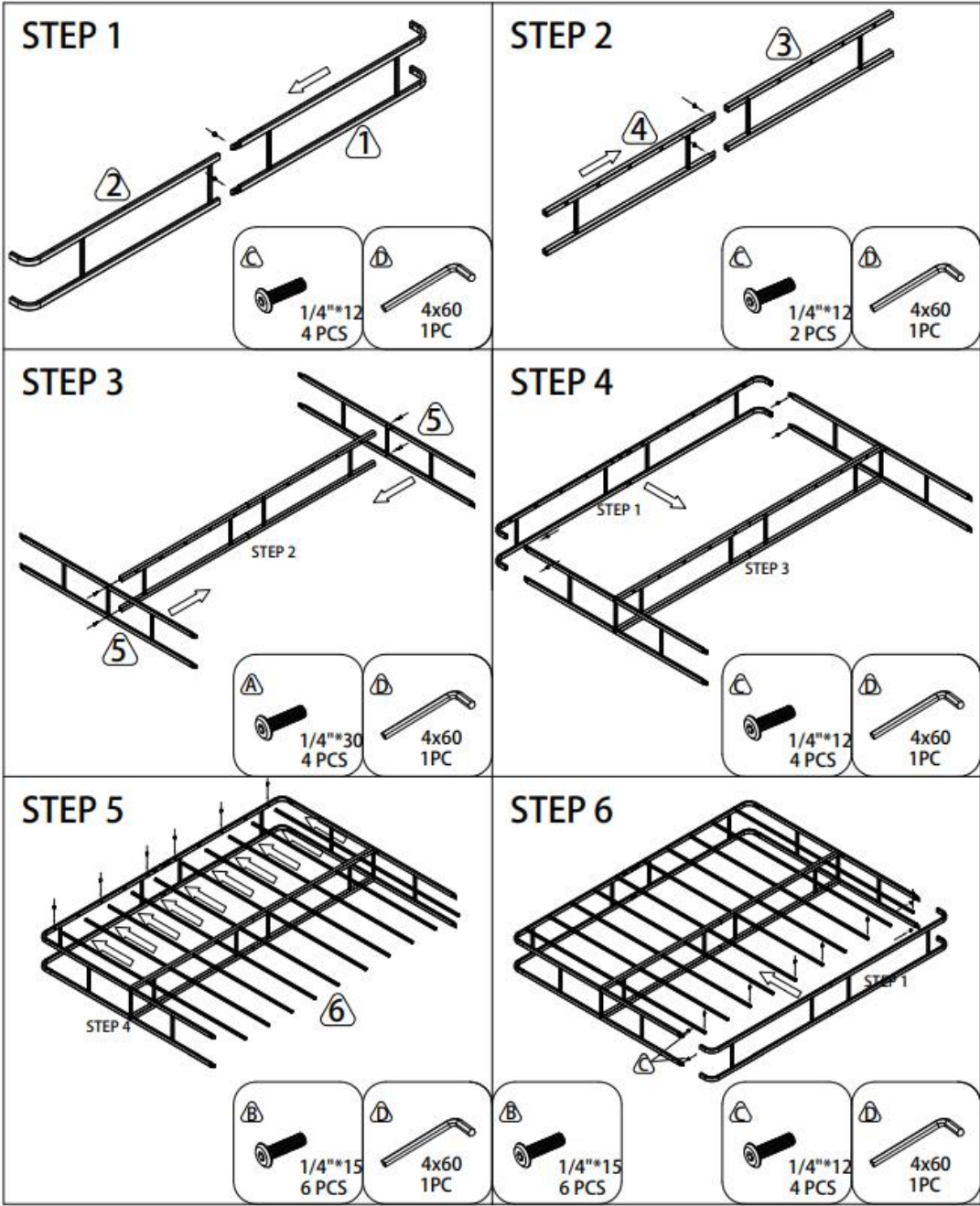
 2PCS	 2PCS	 1PC	 1PC	 2PCS	 10 PCS
----------	----------	---------	---------	----------	------------

HARDWARE LIST

 1/4"*30 4PCS	 1/4"*15 12 PCS	 1/4"*12 14PCS	 4x60 1PCS
---------------------	-----------------------	----------------------	------------------

IMPORTANT SAFETY NOTICE: READ CAREFULLY BEFORE BEGINNING ASSEMBLY!

- Hardware packs and small components should be kept away from children. Avoid eating and being injured
- Please, follow with the assembly steps in order**
- Please, do not tighten any screw before each assembling unit is well placed in appropriate position**
- Please, make sure all components are fixed firmly locked without any potential safety hazard After assembly and before using**
- Please use this product correctly according to its purpose to avoid danger.
- Please do not stand on any component of the product until the product is installed and secured
- Parts like the wall fastening devices are essential of this products. Please fix and lock firmly without any potential safety hazard before using.
- Please check all contents of this product inside of carton (s) carefully, small parts may have been lost during shipment, if any! contact further with the retailer from which you purchased this product to obtain, do not use any substitute part**
- This assembly instructions booklet contains important safety information, please read and keep for further reference**
- The product is designed referring to overall loading of each set final product, please avoid to load on the single part of final product that causing damage.
product name: BED FRAME (FULL SIZE), 400 LBS



Care and Maintenance

Use a soft, clean cloth that will not scratch the surface when dusting.

Use of furniture polish is not necessary.

Should you choose to use polish, test first in an inconspicuous area.

Using solvents of any kind on your furniture may damage the finish.

Never use water to clean your furniture as it may cause damage to the finish.

Liquid spills should be removed immediately. Using a soft clean cloth, blot the spill gently. Avoid rubbing.

Check bolts/screws periodically and tighten them if necessary.

Further advice about wood furniture care

It is best to keep your furniture in a climate-controlled environment.

Extreme temperature and humidity changes can cause fading, warping, shrinking and splitting of wood.

It is advised to keep furniture away from direct sunlight as sun may damage the finish.

Proper care and cleaning at home will extend the life of your purchase.

Following these important and helpful tips will enhance your furniture as it ages.