


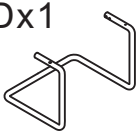







Installation & Assembly

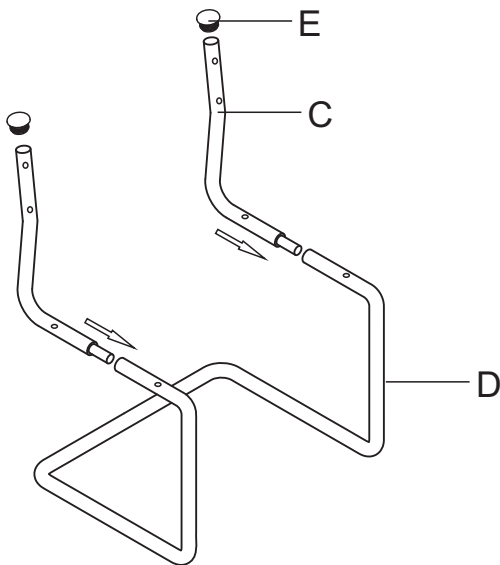


Ax1 	Bx1 	Cx2 	Dx1 
Ex2 	Fx4 	Gx8 6x35mm 	Hx1 

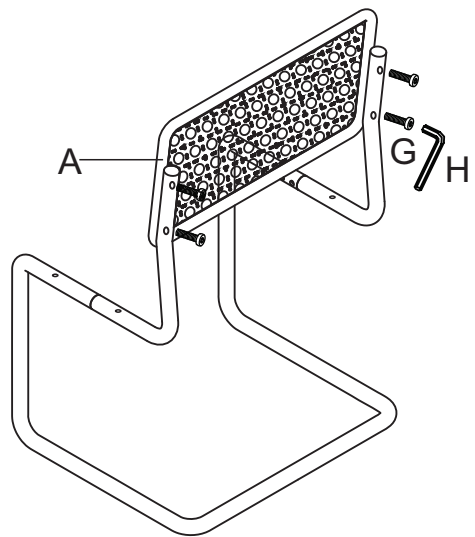
SPARE (Ersatzteile)

Gx1 6x35mm 	
---	--

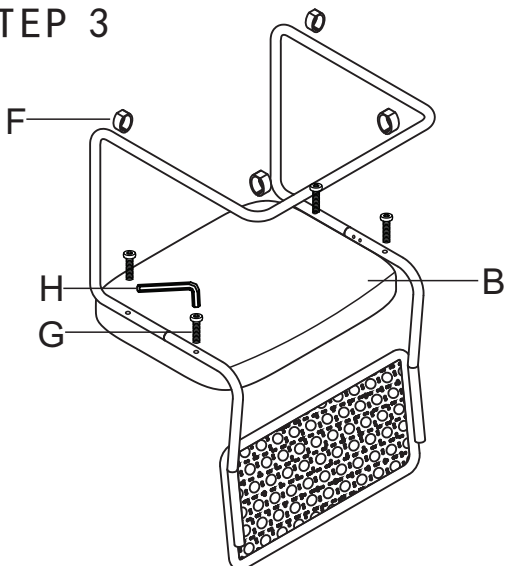
STEP 1



STEP 2



STEP 3



STEP 4

