

NOTICE

- * Please make sure that you have all parts indicated and they are in good condition before you begin assembly of this item. Refer to part list and hardware list below for guidance.
- * This item should be assembled on a soft surface to prevent scratching the finish during assembly.
- * This item may require periodic tightening.

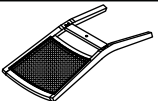
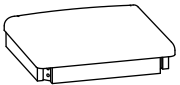
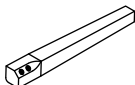




PREPARATION

- * Before beginning assembly of product, make sure all parts are present. Compare parts with part contents list and hardware contents list.
- * If any part is missing or damaged, do not attempt to assemble the product.
- * Estimated Assembly Time: 15 minutes.
- * Tools Required for Assembly (included): Allen Key

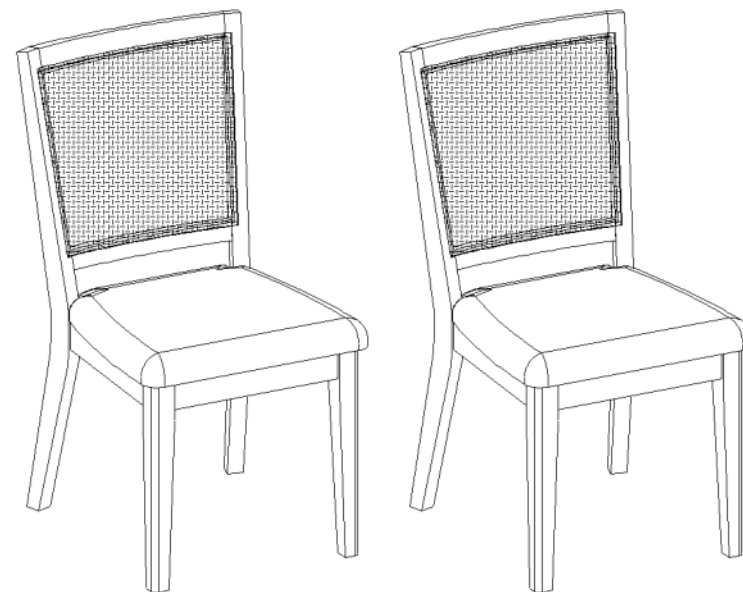
CARE AND MAINTENANCE

- * Please make sure that you have all parts indicated before you begin assembly of this item
- * This item should be assembled on a soft surface to prevent scratching the finish during assembly
- * This item may require periodic tightening

Part List and Hardware List

PIECE	DESCRIPTION	PICTURE	QUANTITY
A	Chair Back		2X
B	Chair Seat		2X
C	Front Leg		4X
HW1	Socket bolts M6x1.0x35mm		2X
HW2	Socket bolts M6x1.0x50mm		8X
HW3	Socket bolts M6x1.0x80mm		8X
HW4	Split Lock Washer 6mm		18X

Product Dimensions: 19.3" W x 23.6" D x 36.8"H





WARNING !

Weight capacity: 275 LBS

Warning: Do not stand on Chair

Warning: Do not over torque Bolts

PIECE	DESCRIPTION	PICTURE	QUANTITY
HW5	Flat Washer 6mm		18X

PIECE	DESCRIPTION	PICTURE	QUANTITY
HW6	Allen Key		1X

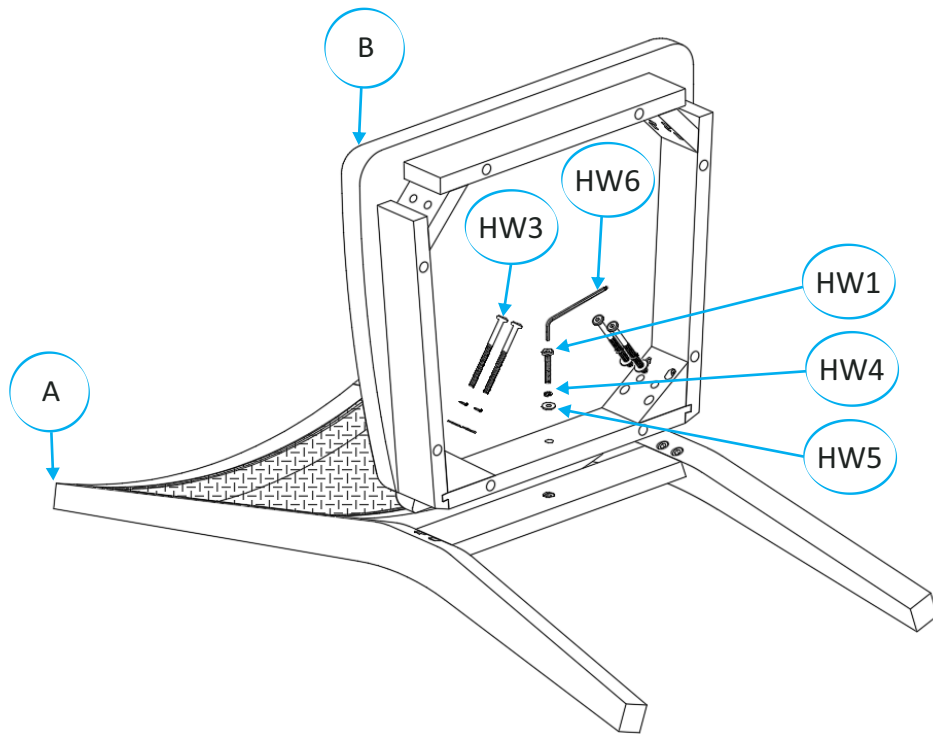
PREPARATION

* Before beginning assembly of product, make sure all parts are present. Compare parts with part contents list and hardware contents list.

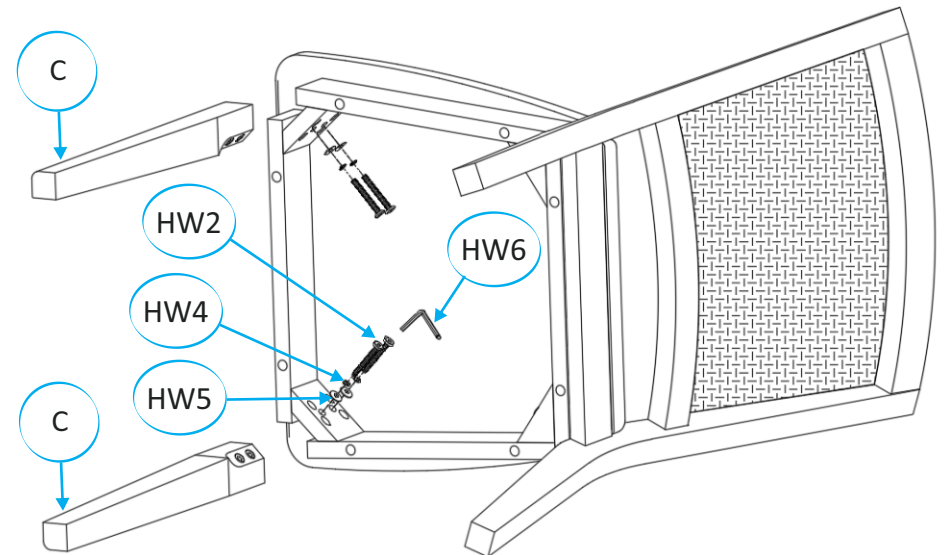
* If any part is missing or damaged, do not attempt to assemble the product.

* Estimated Assembly Time: 15 minutes.

* Tools Required for Assembly (included): Allen Key



STEP1:



STEP2: