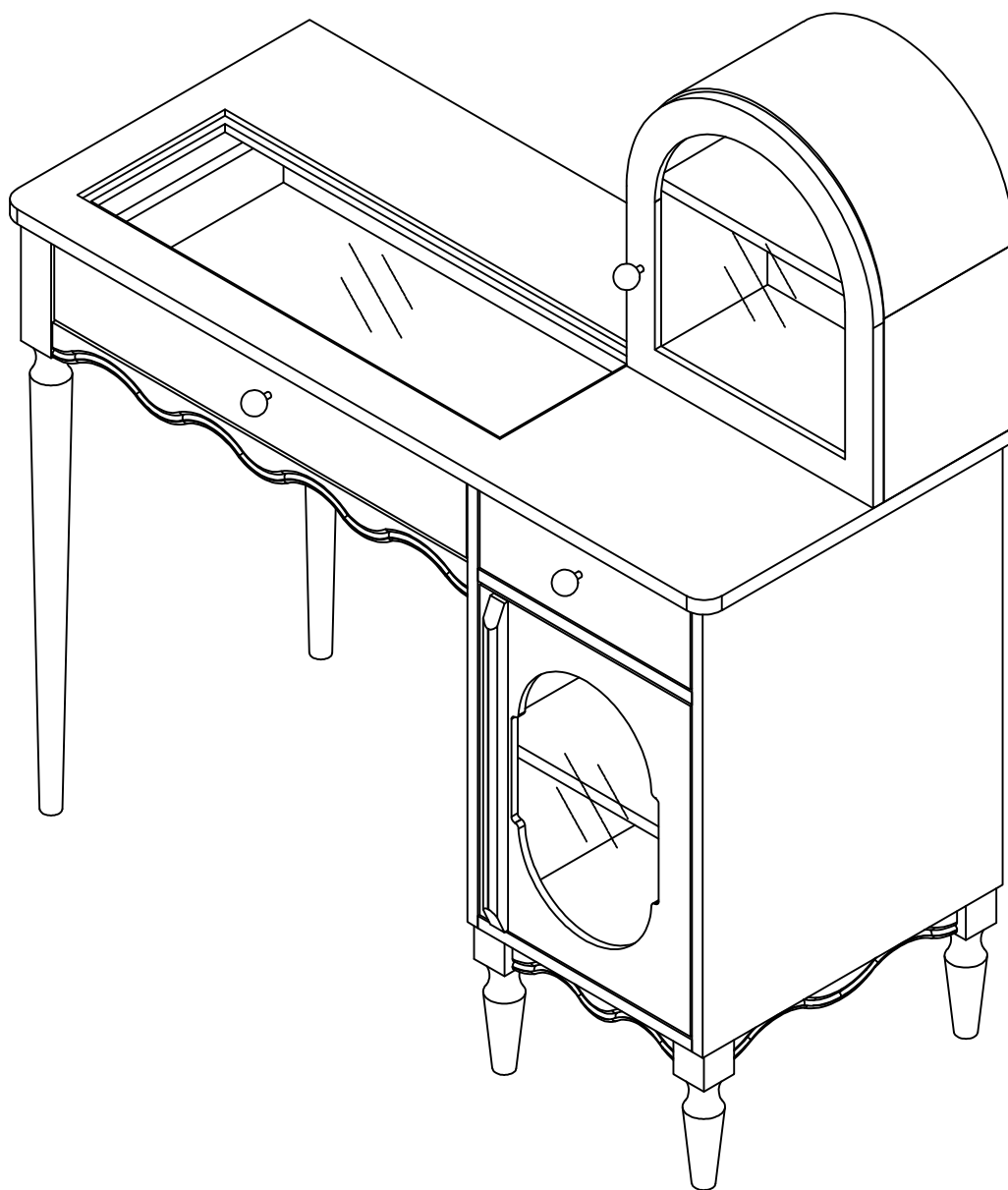
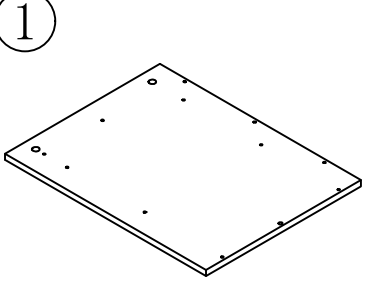
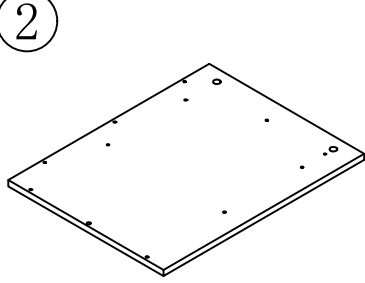
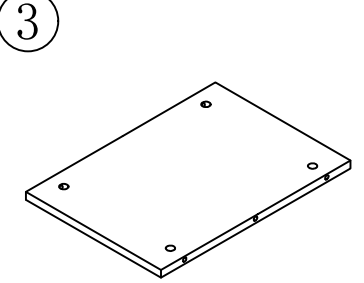
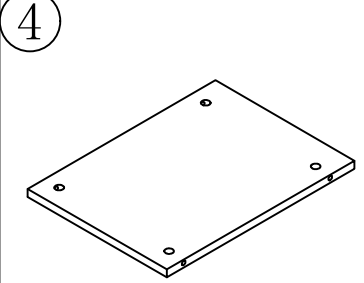
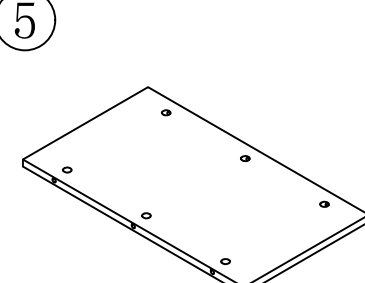
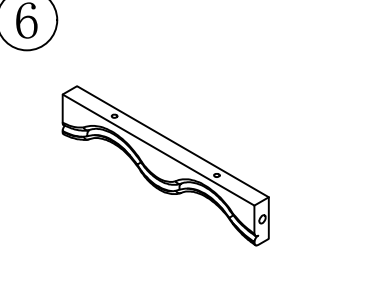
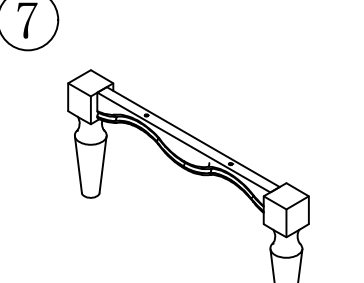
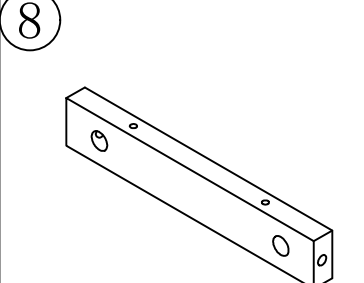
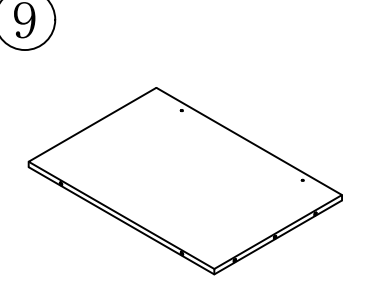
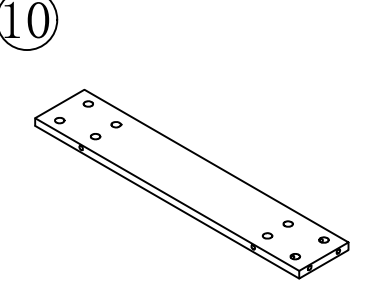
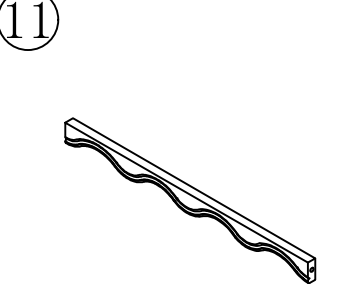
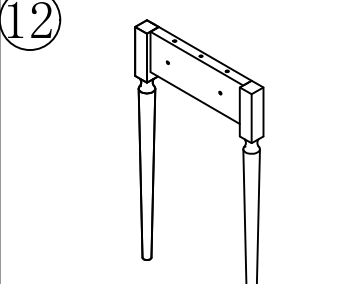
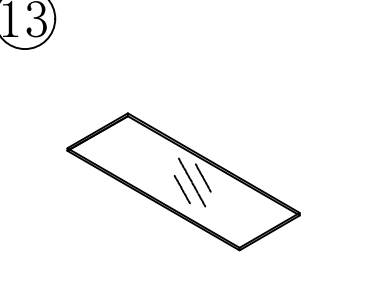
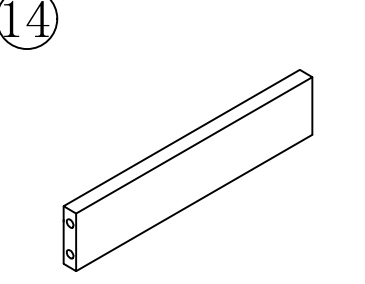
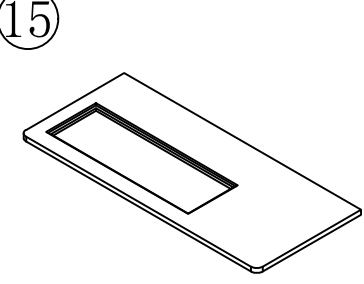
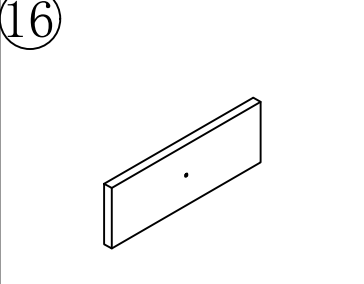
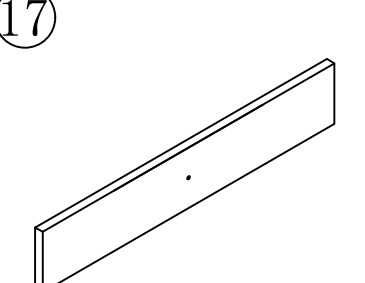
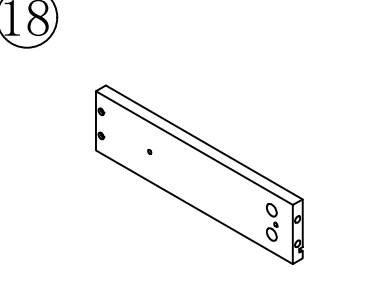
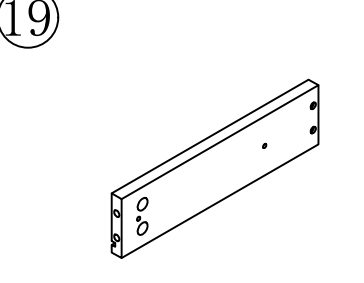
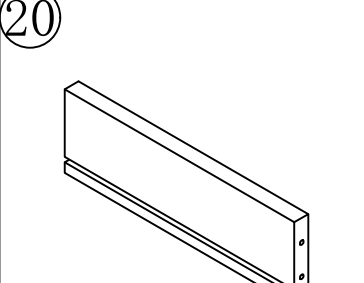


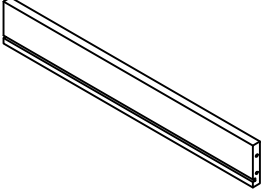
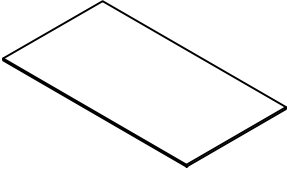
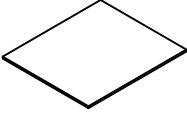
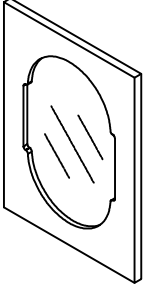

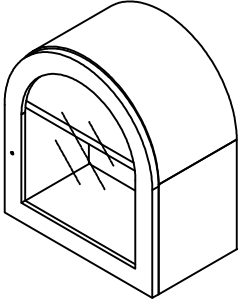
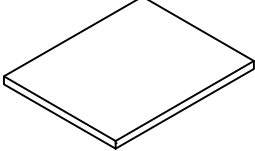
Assembly Guide of S2120P Dressing Table



PARTS LIST

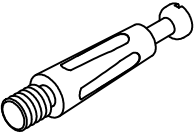

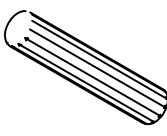
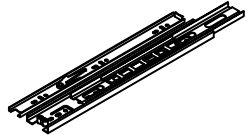


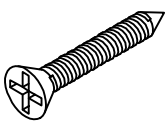
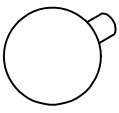


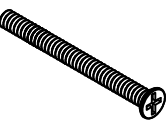
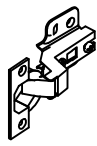
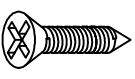
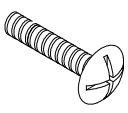
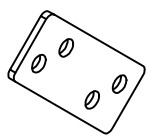
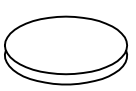
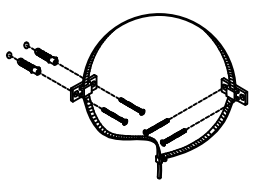
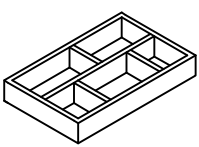
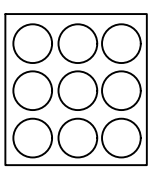
			
left side panel=1	right side panel=1	bottom panel of side cabinet=1	laminate=1
			
back panel of side cabinet=1	forefoot strip=1	side foot racks=2	back foot strip=1
			
bottom panel of table=1	back panel of table=1	front strip=1	solid wood leg=1
			
glass=1	drawer middle panels=2	top panel=1	small drawer panel=1
			
big drawer panel=1	drawer left side panels=2	drawer right side panels=2	small drawer tail panel=1

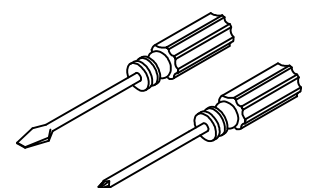
PARTS LIST

21 	22 	23 	24 
big drawer tail panel=1	big drawer bottom panel=1	small drawer bottom panel=1	door panel=1
25 	26 	27 	
handle=1	upper cabinet=1	movable laminate =1	

Tips: Do not throw away packing materials until assembly is complete for small parts may come loose inside the carton during shipment. If parts are missing, please contact us. Assemble this item on a soft surface, such as carpet to protect the finish.

HARDWARE LIST

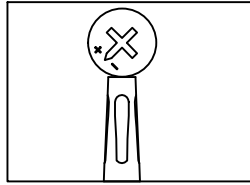
A	B	C	D	E
				
3 in 1 rods=54	3 in 1 camlocks=54	8*40 wood dowels=16	10inch guide rails=2	3.5*12 self- tapping screws=30
F	G	H	I	J
				
laminat support=4	4*25 self-tapping screws=18	handles=3	4*18 self-tapping screws=3	wood handles=2
K	L	M	N	O
				
4*32 handle screws=2	large curved door hinges=2	4*16 self- tapping screws=20	6*20 big flat screws=2	iron sheets=2
P	Q			
				
pads=6	anti-reverse buckle=1 set	jewel box =1	hole stickers=10	



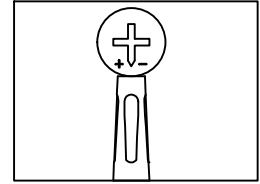
phillips head screw driver required
for assemble---not include



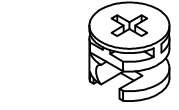
Bolt



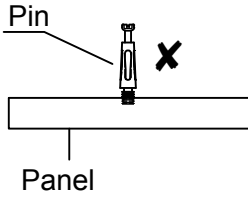
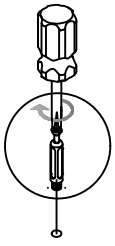
Adjust connecting piece direction until it is properly lined up with the hole.



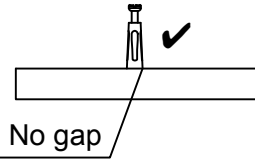
Insert bolt when connecting piece direction is properly lined up.



Connecting piece

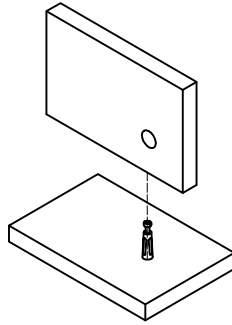


Panel

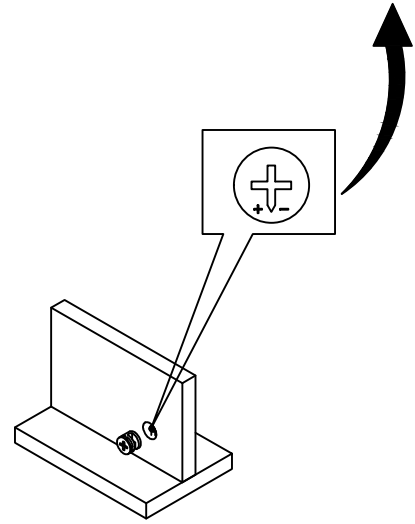


No gap

1.

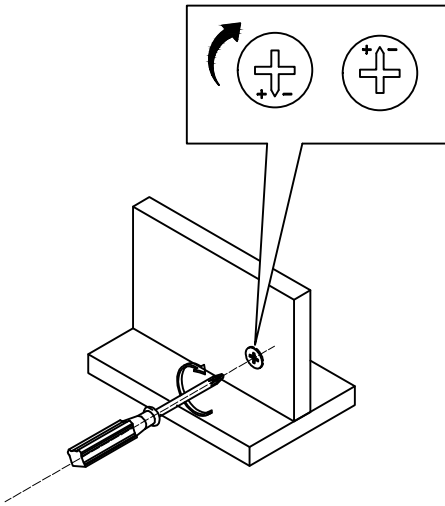


2.



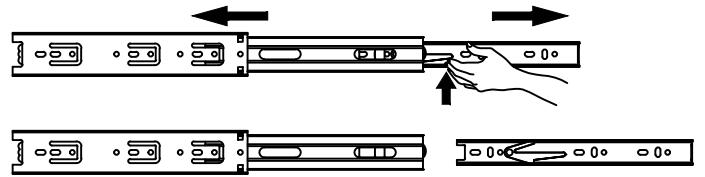
3.

4.

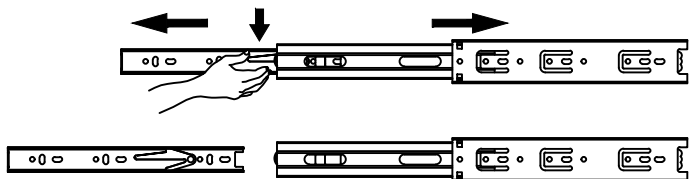


Guide for slide rail separation operation

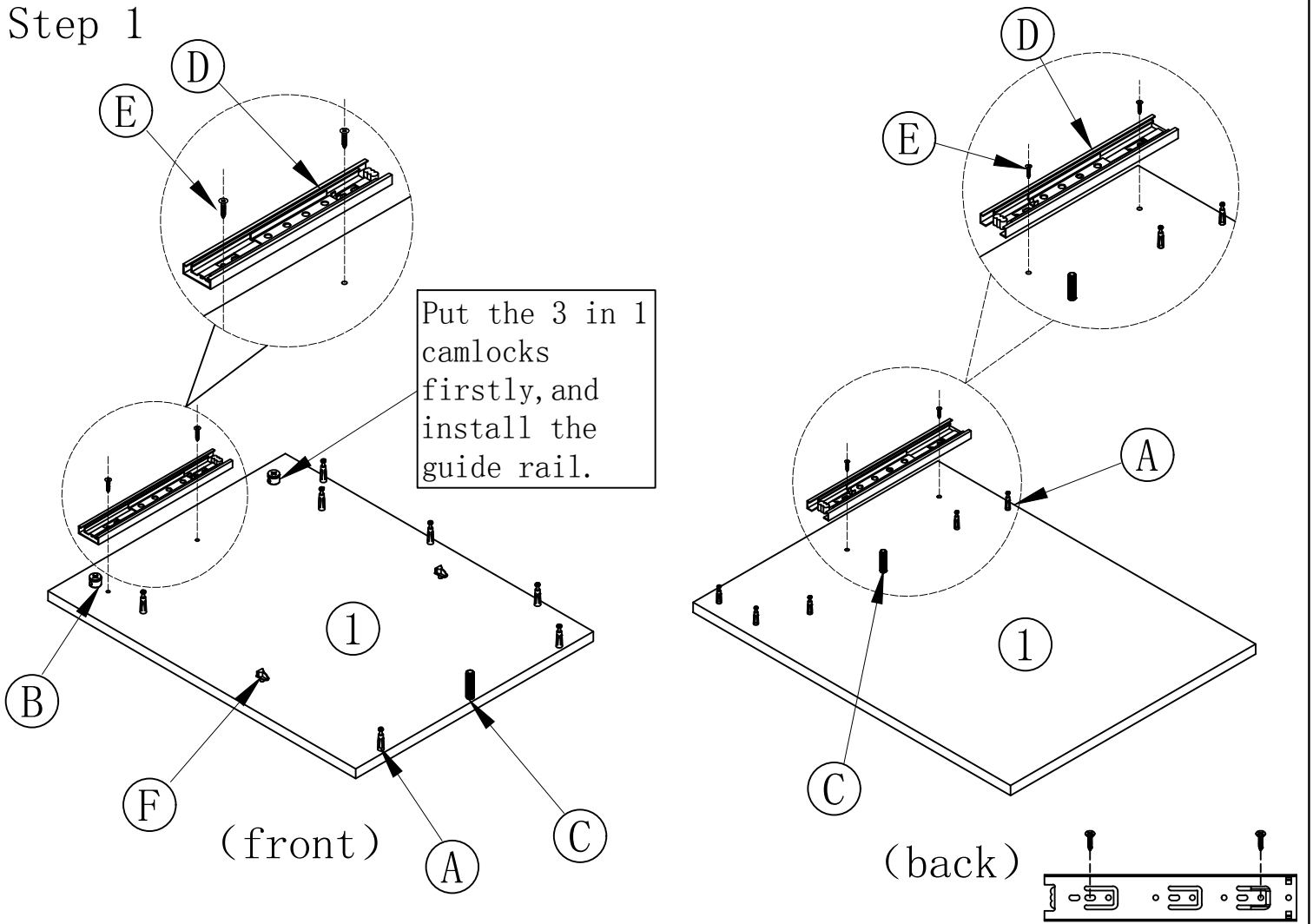
left



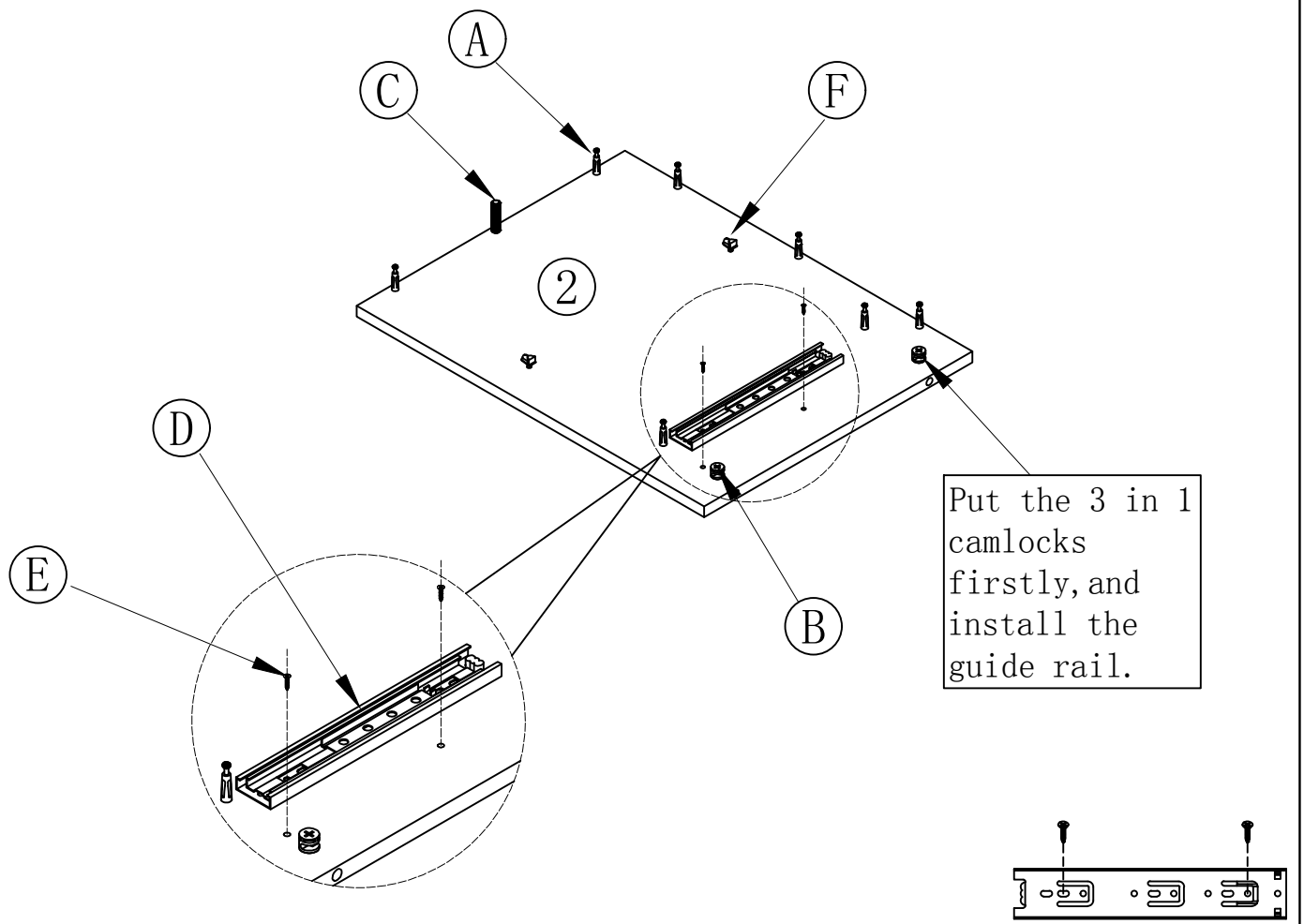
right



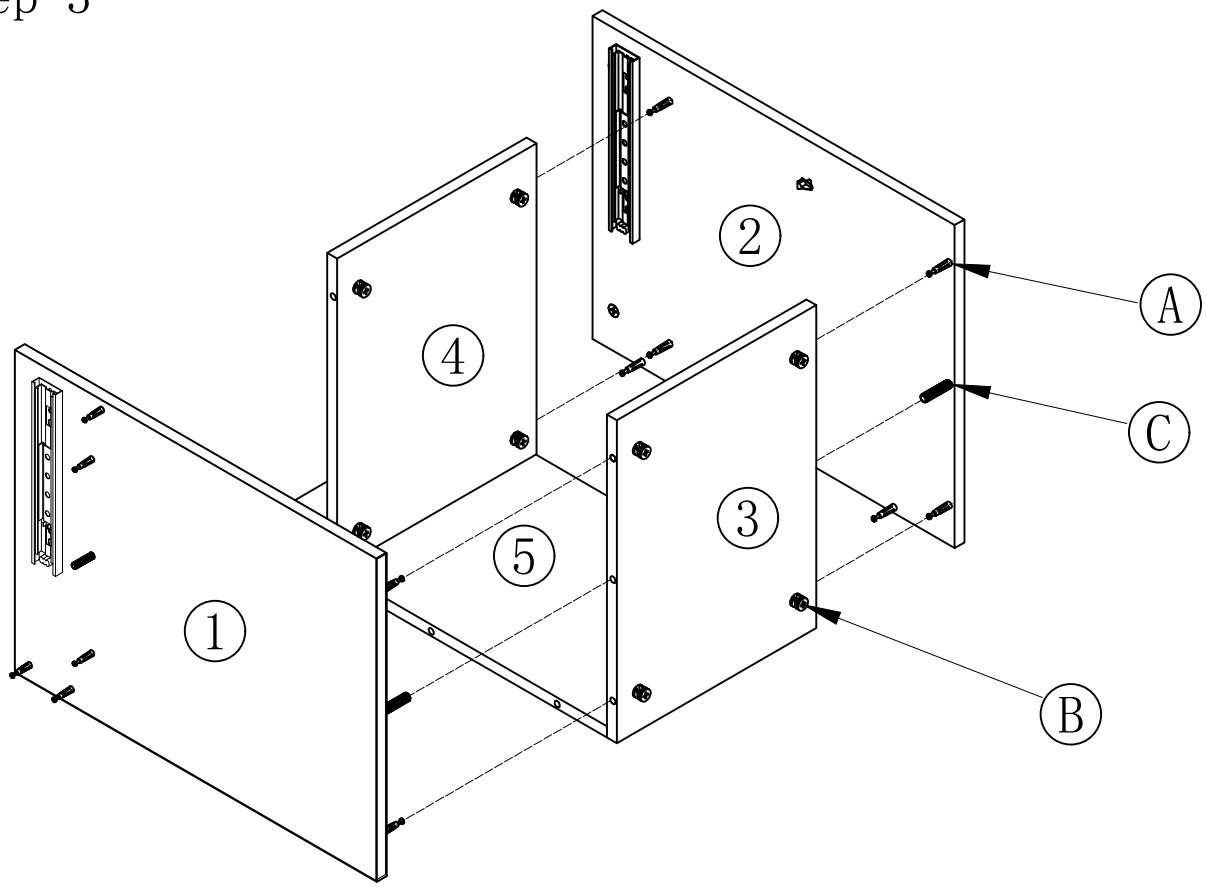
Step 1



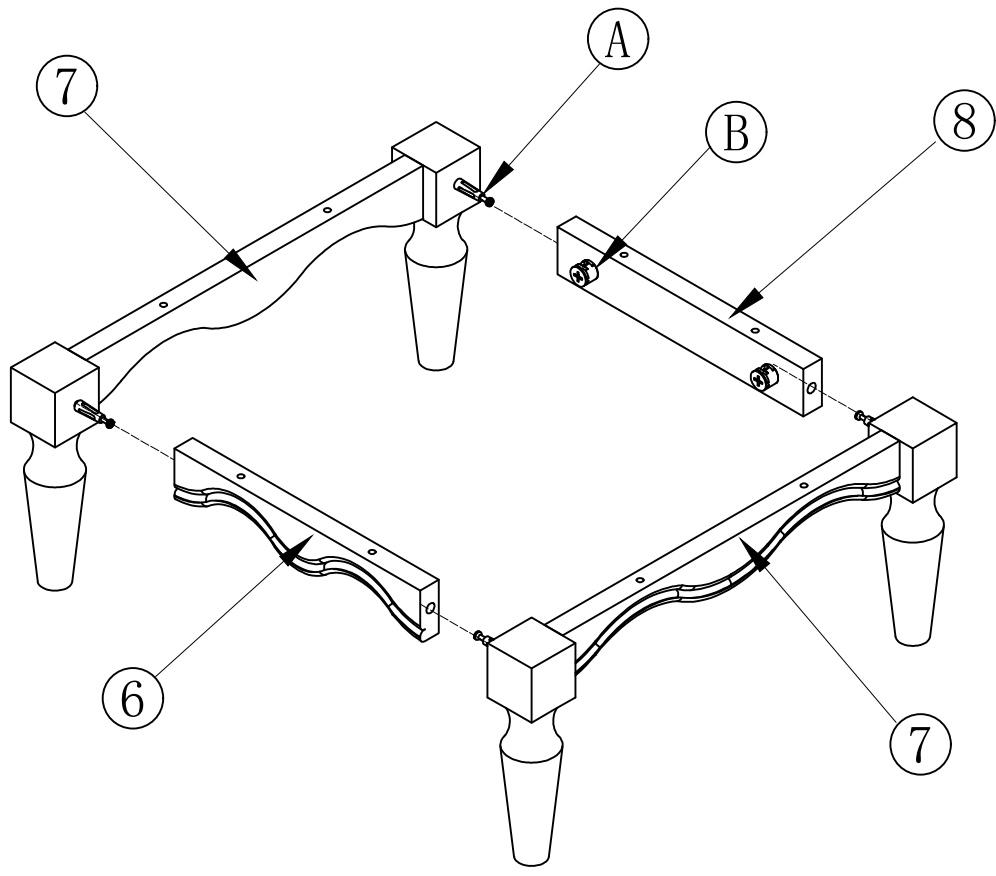
Step 2



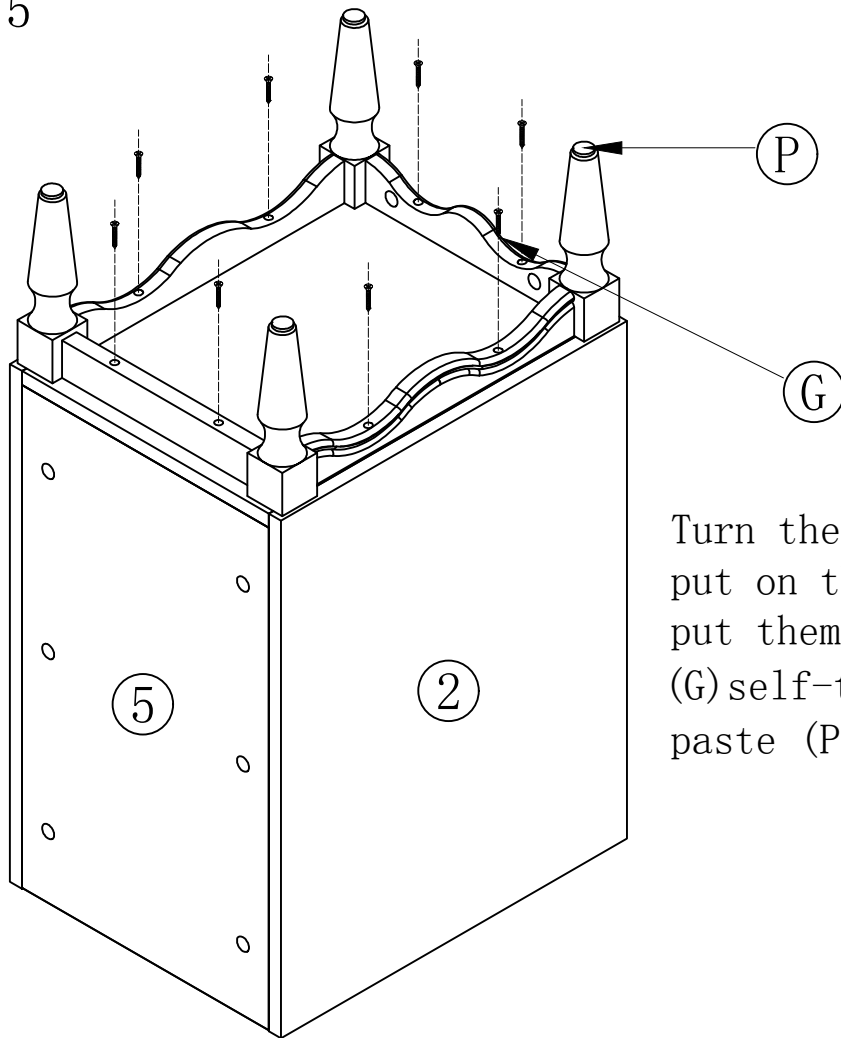
Step 3



Step 4

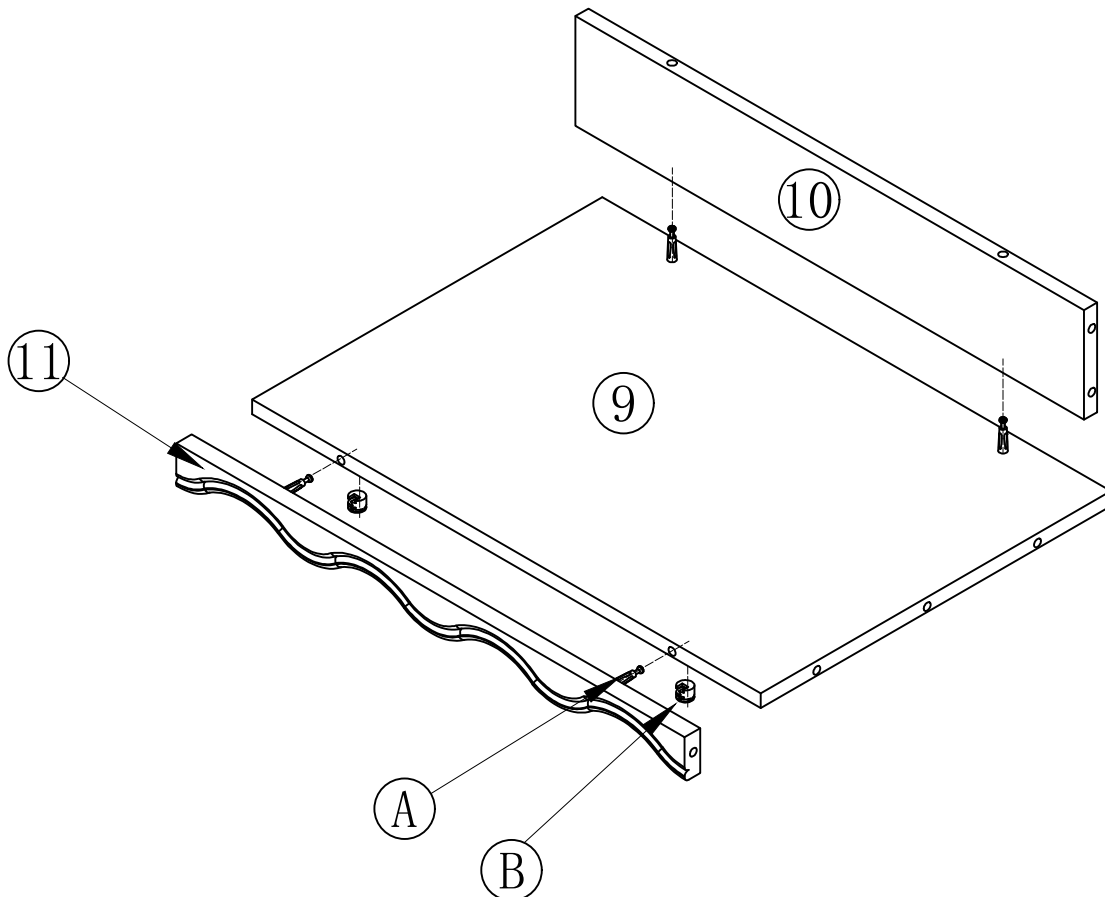


Step 5

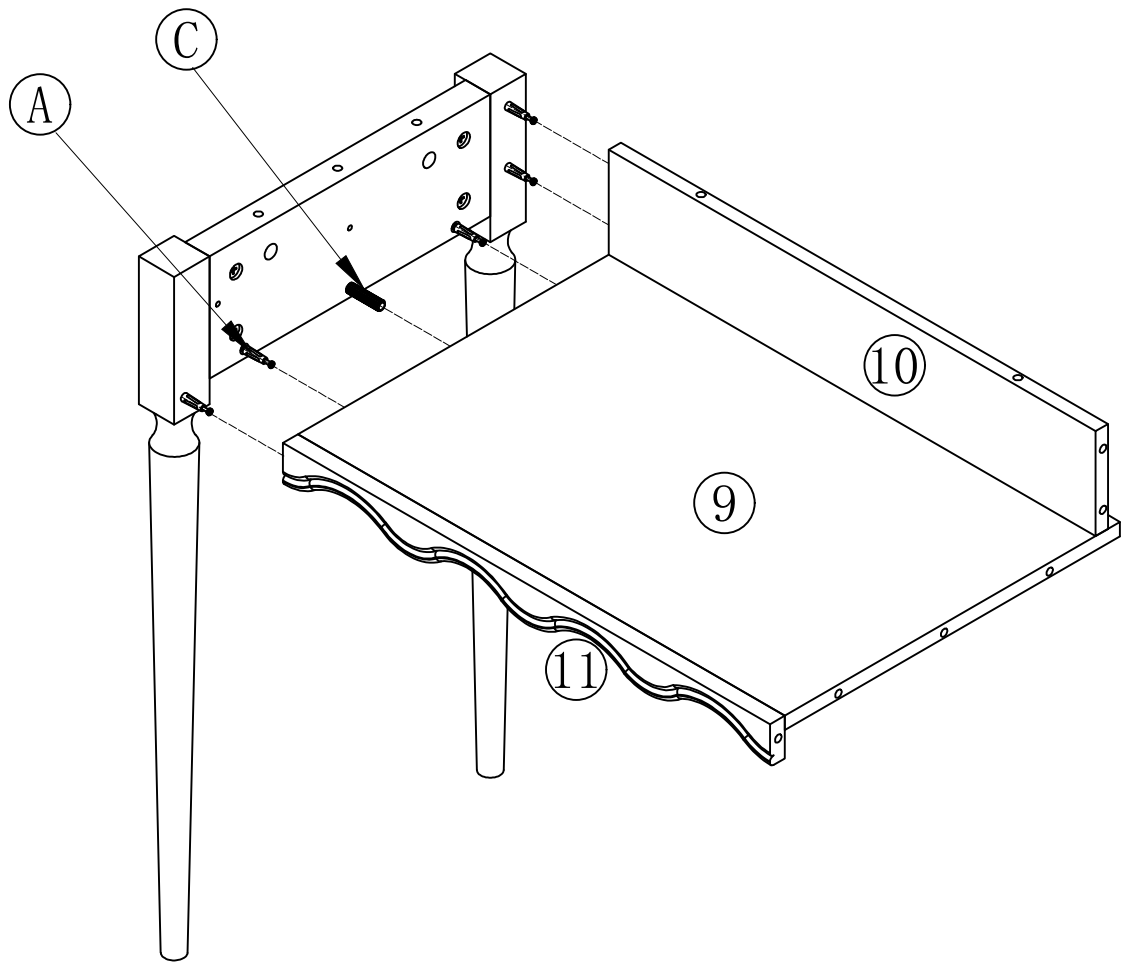


Turn the cabinet over firstly,
put on the foot frame,
put them in order, install the
(G) self-tapping screws, then
paste (P) pad .

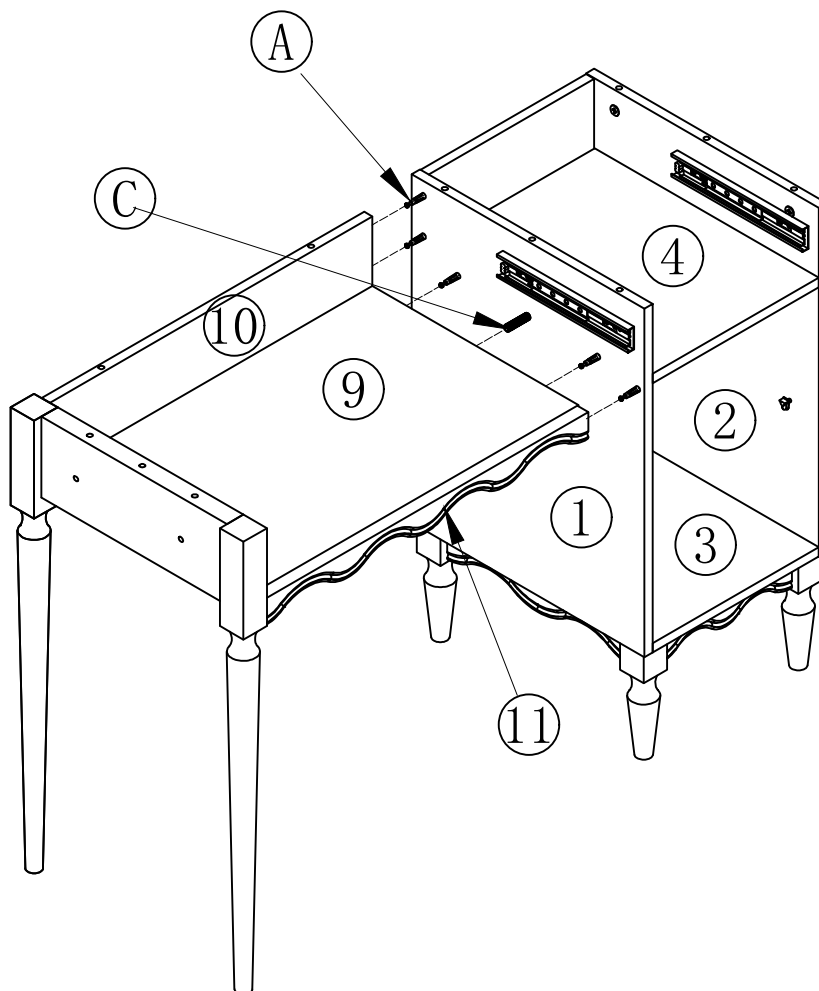
Step 6



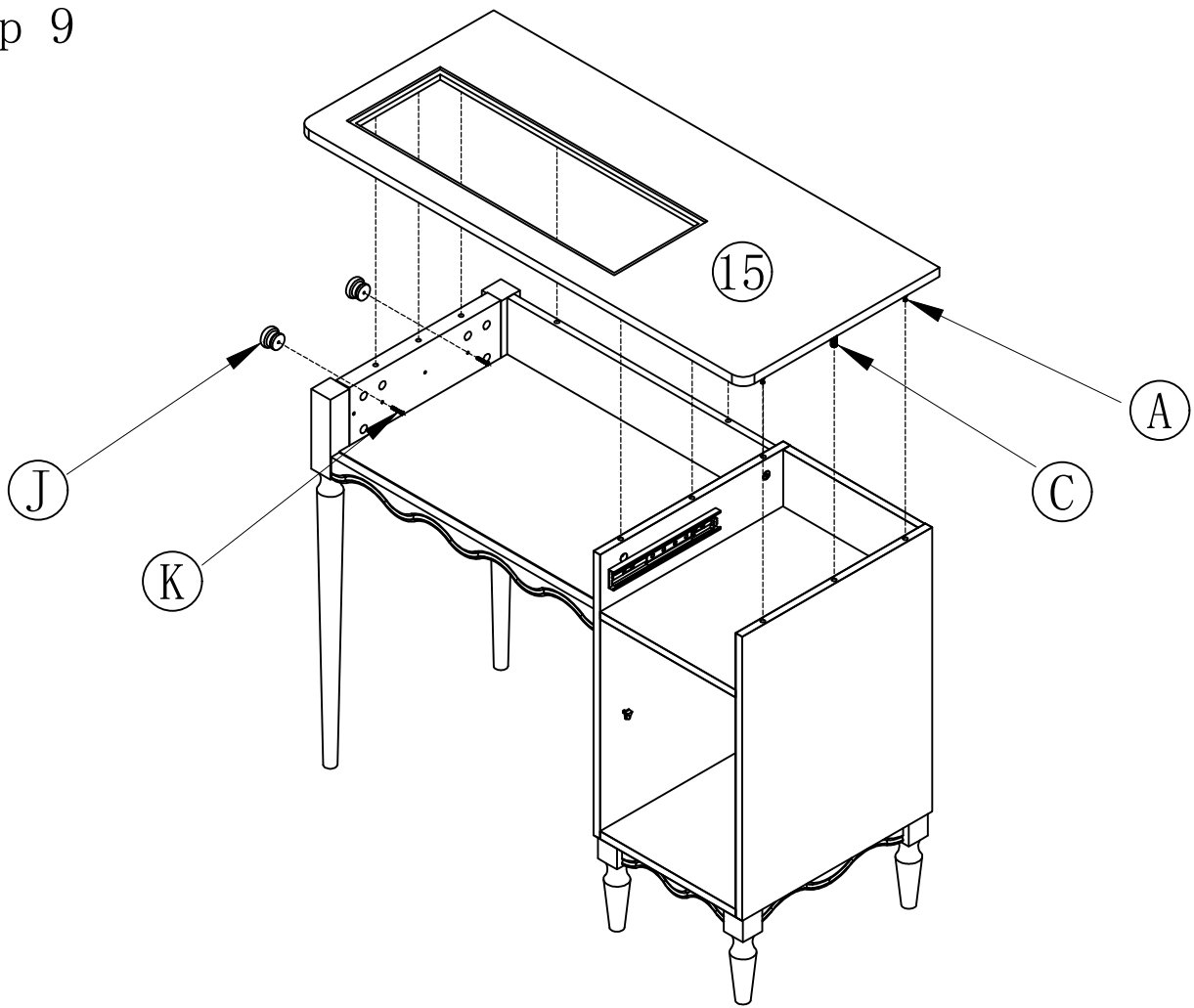
Step 7



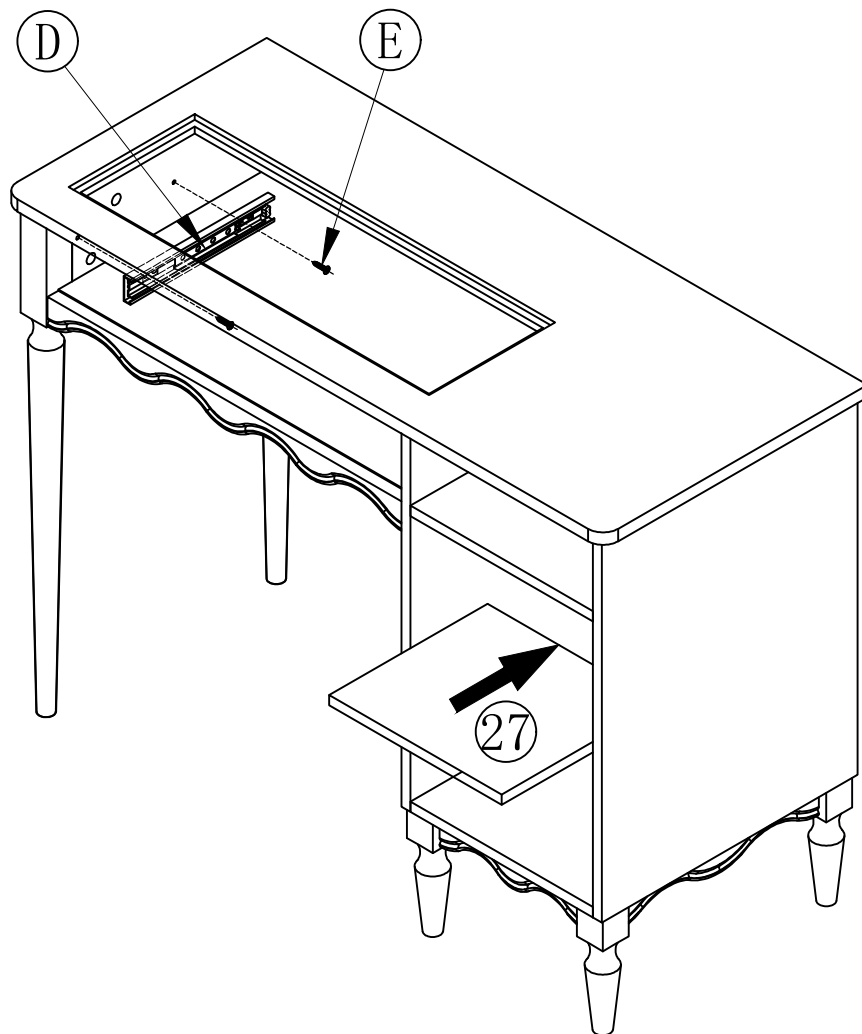
Step 8



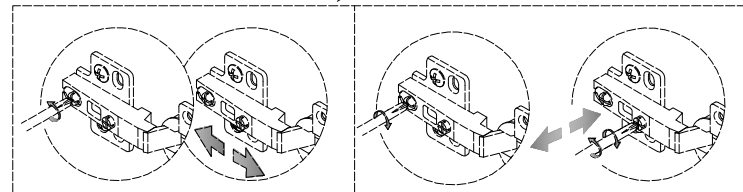
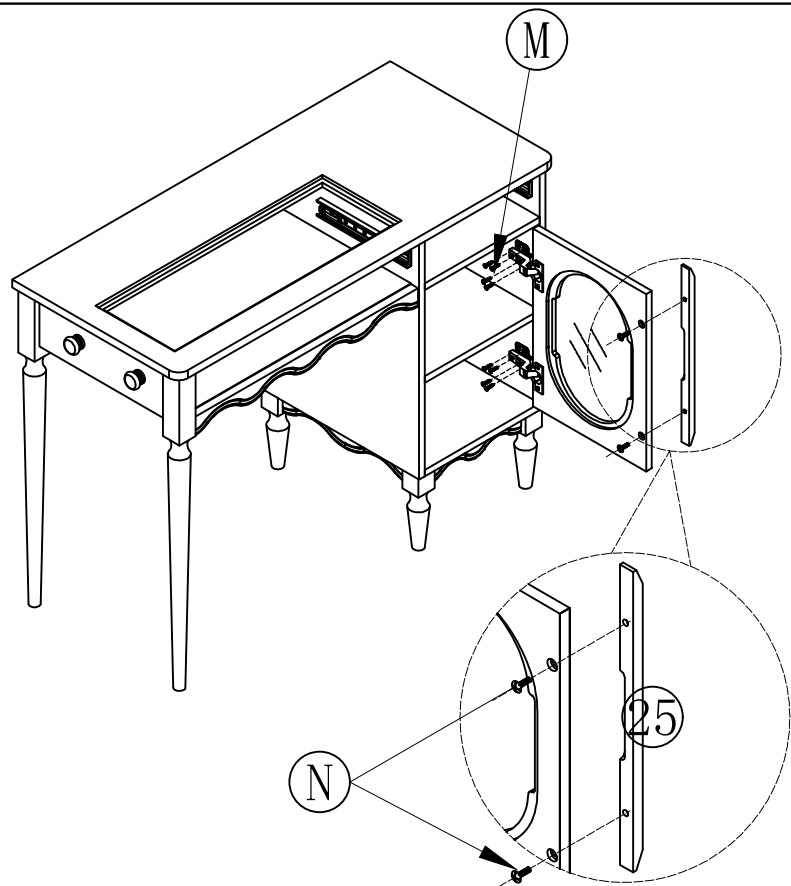
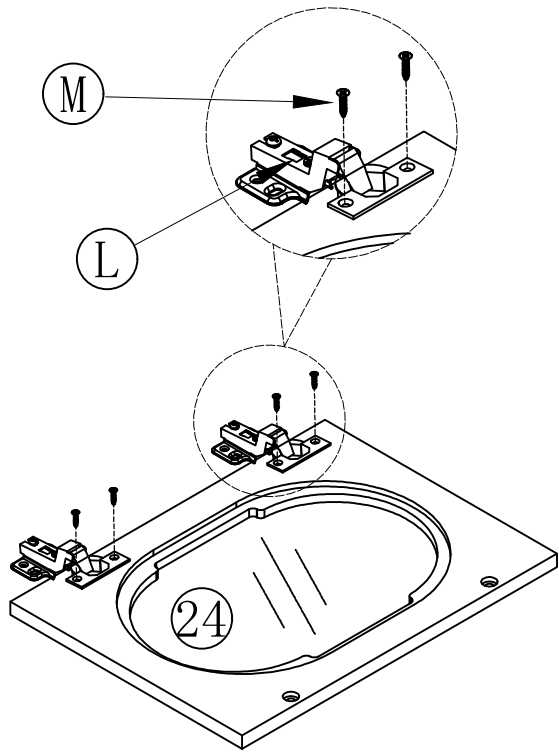
Step 9



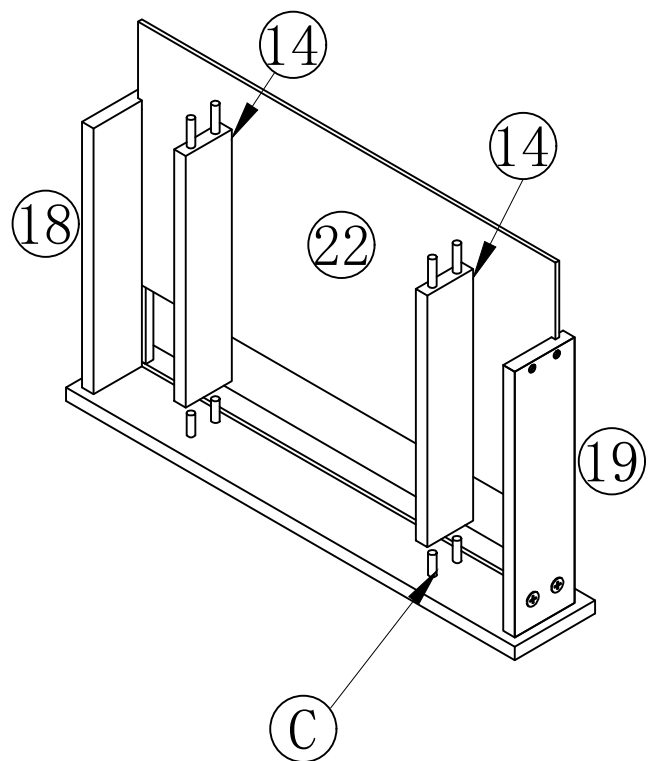
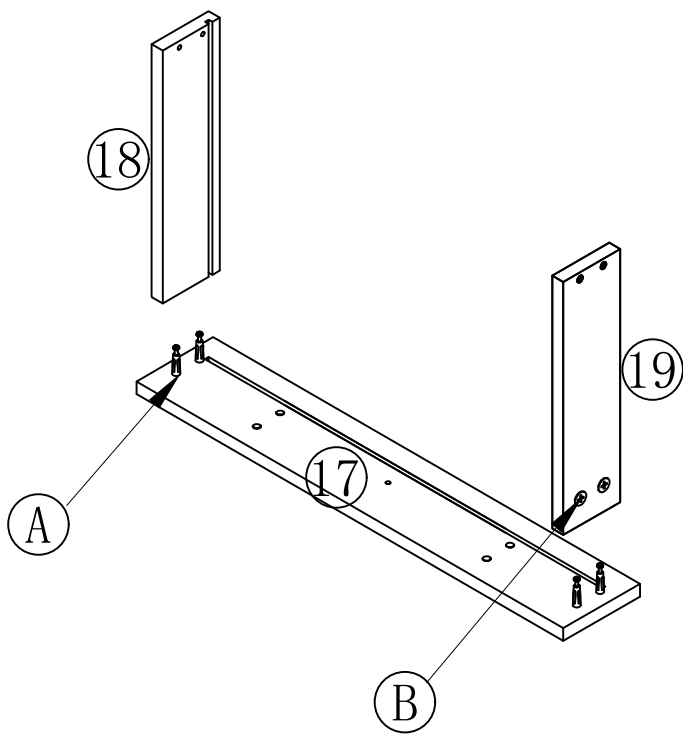
Step 10



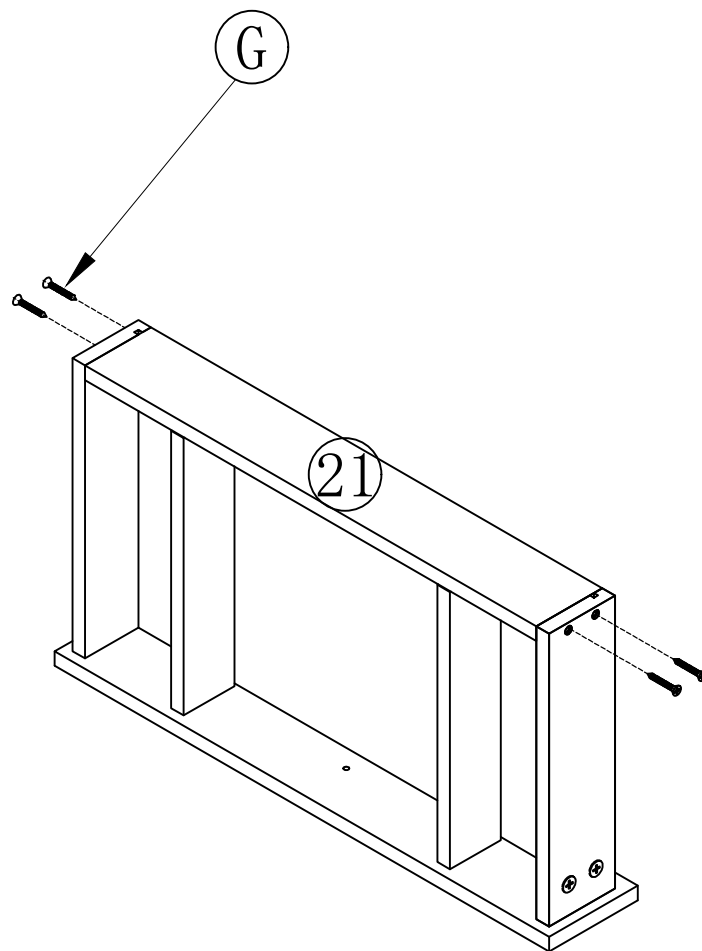
Step 11



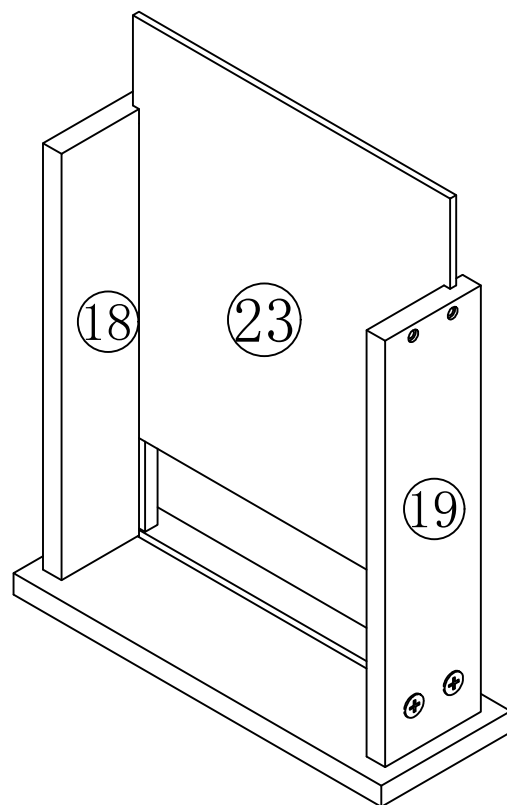
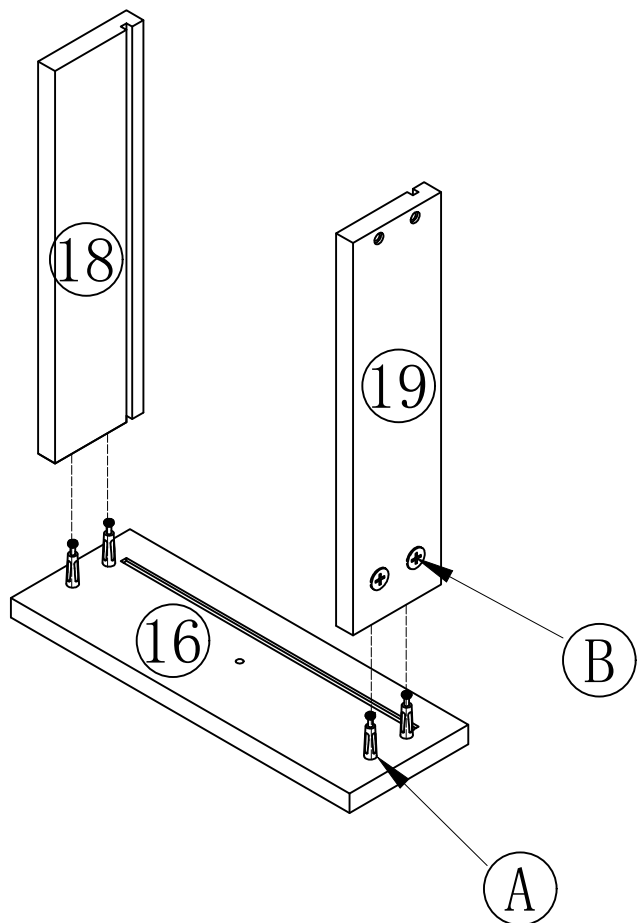
Step 12



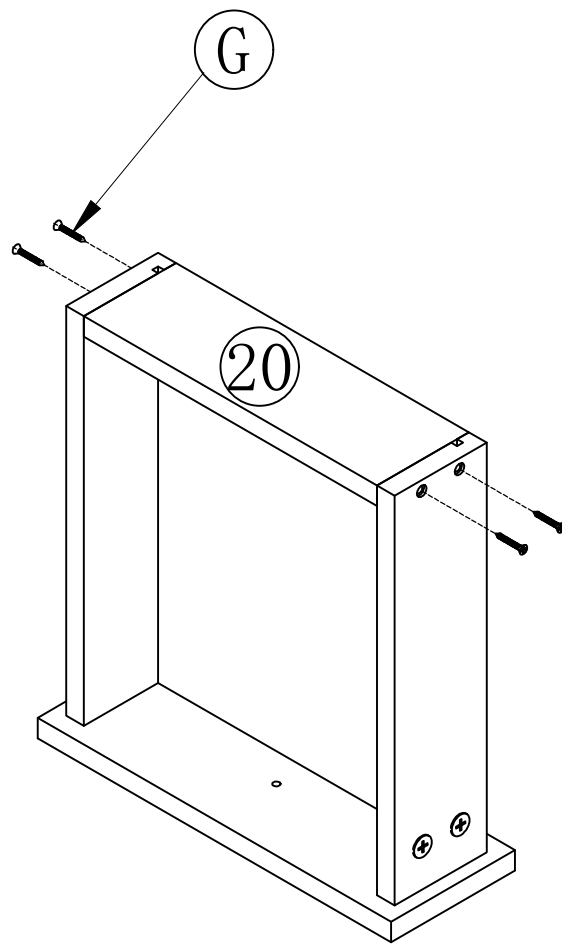
Step 13



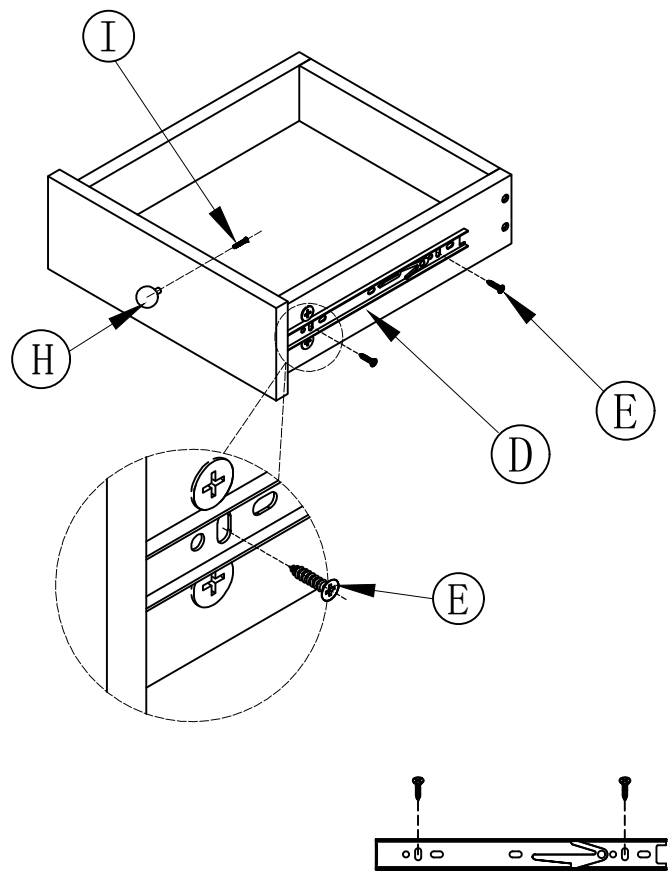
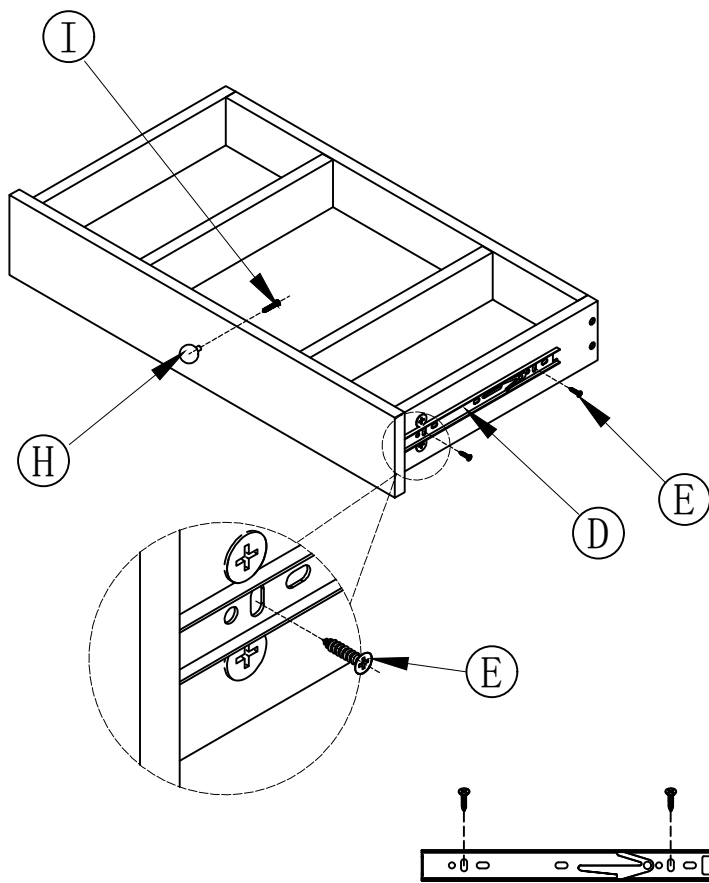
Step 14



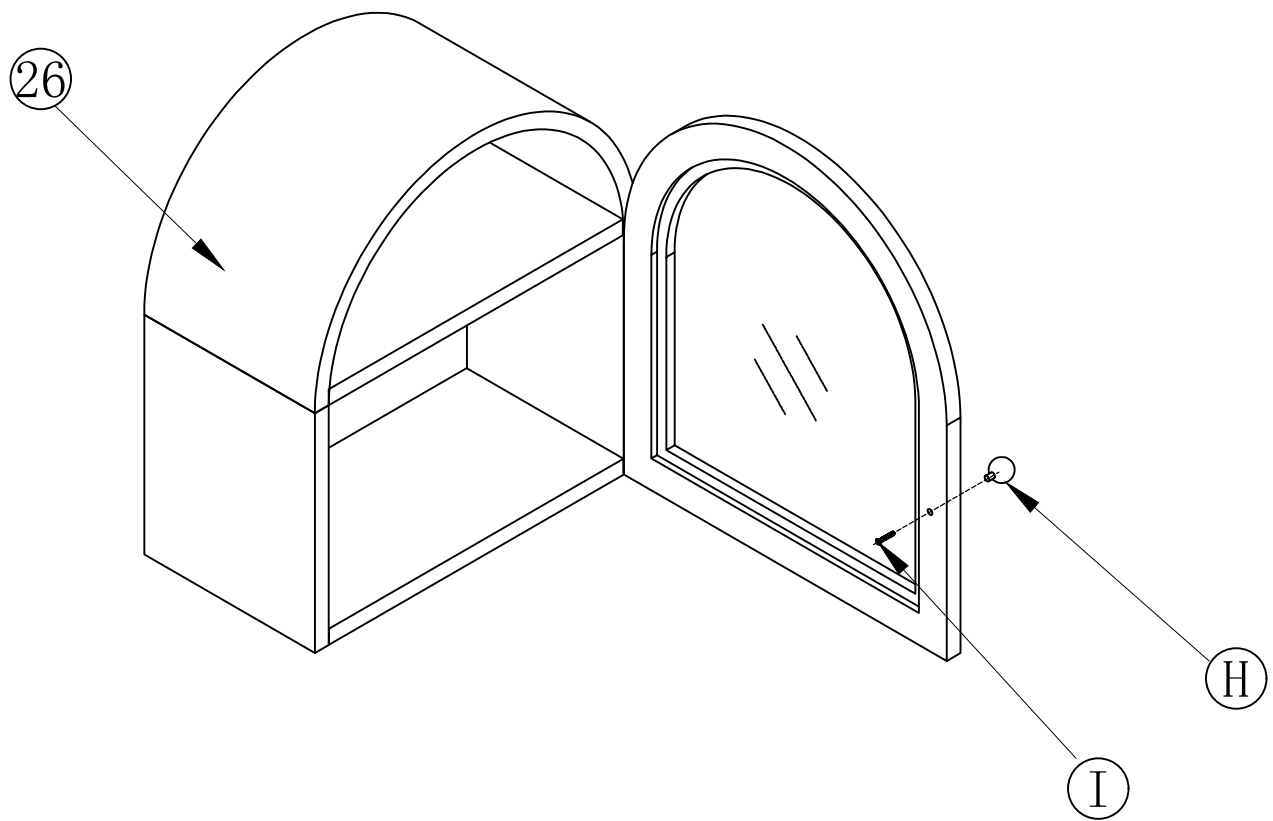
Step 15



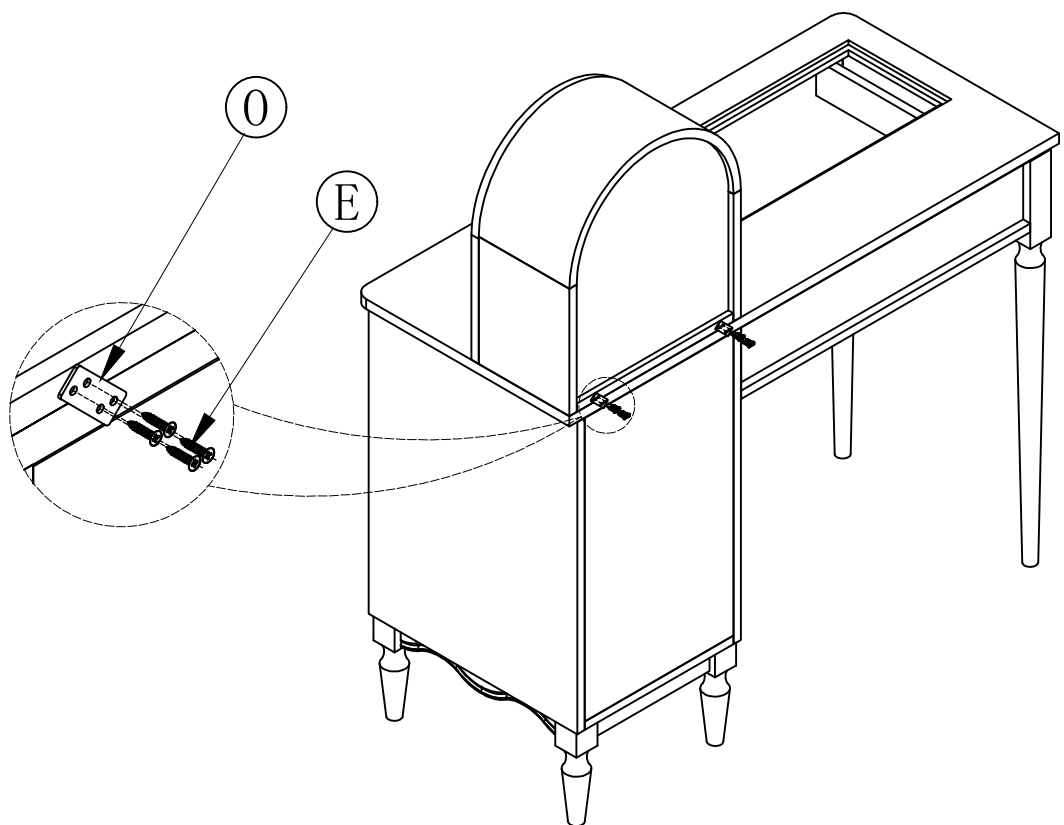
Step 16



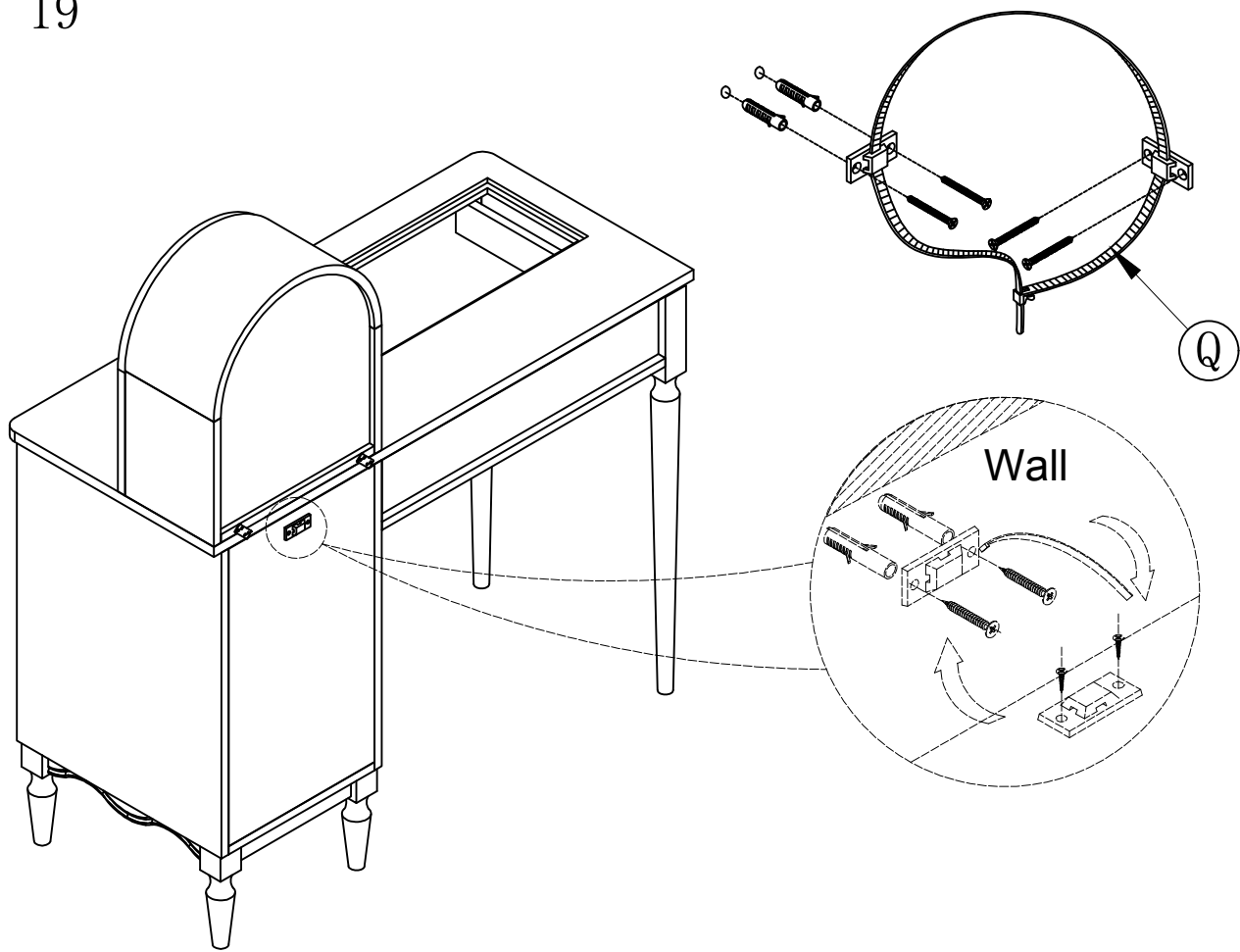
Step 17



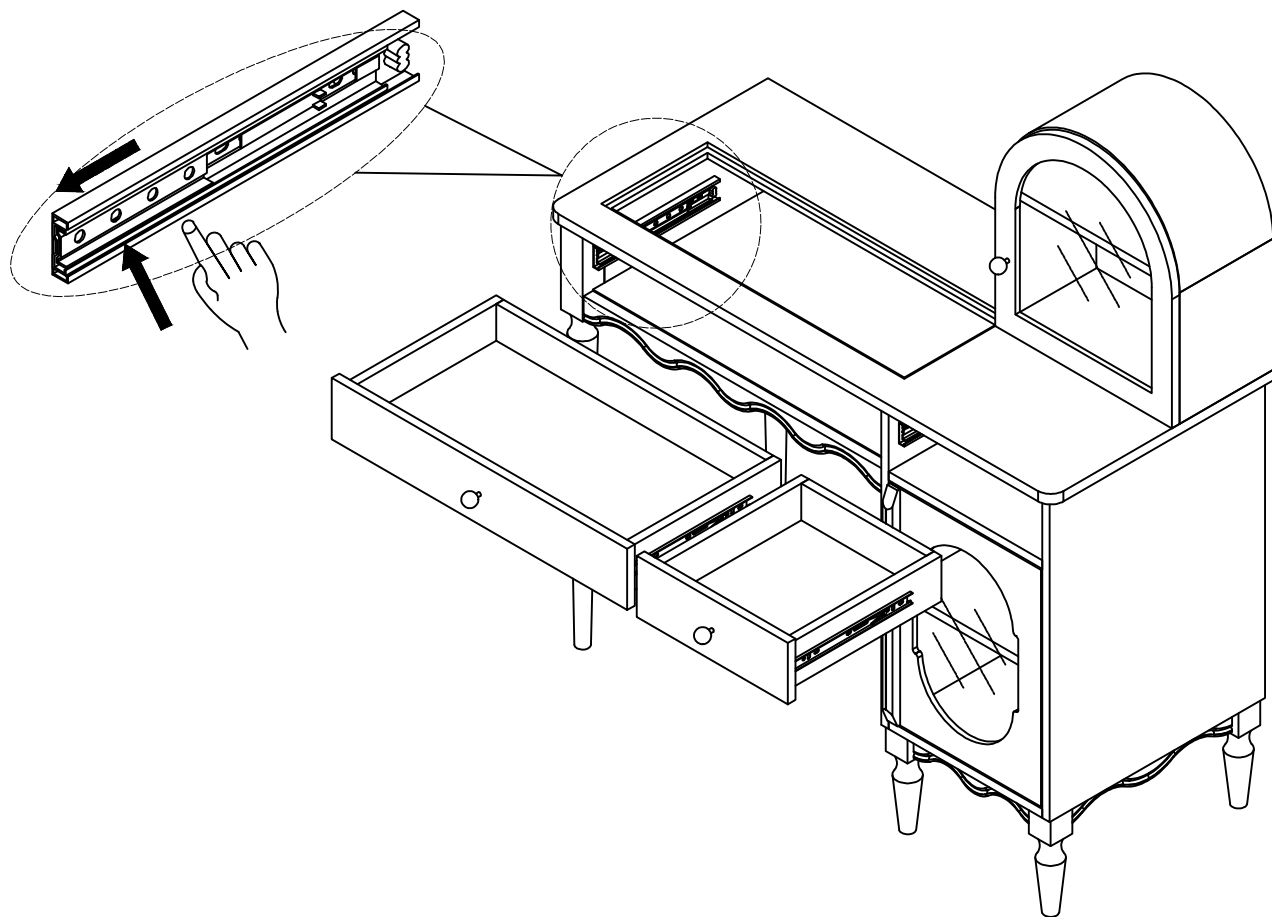
Step 18



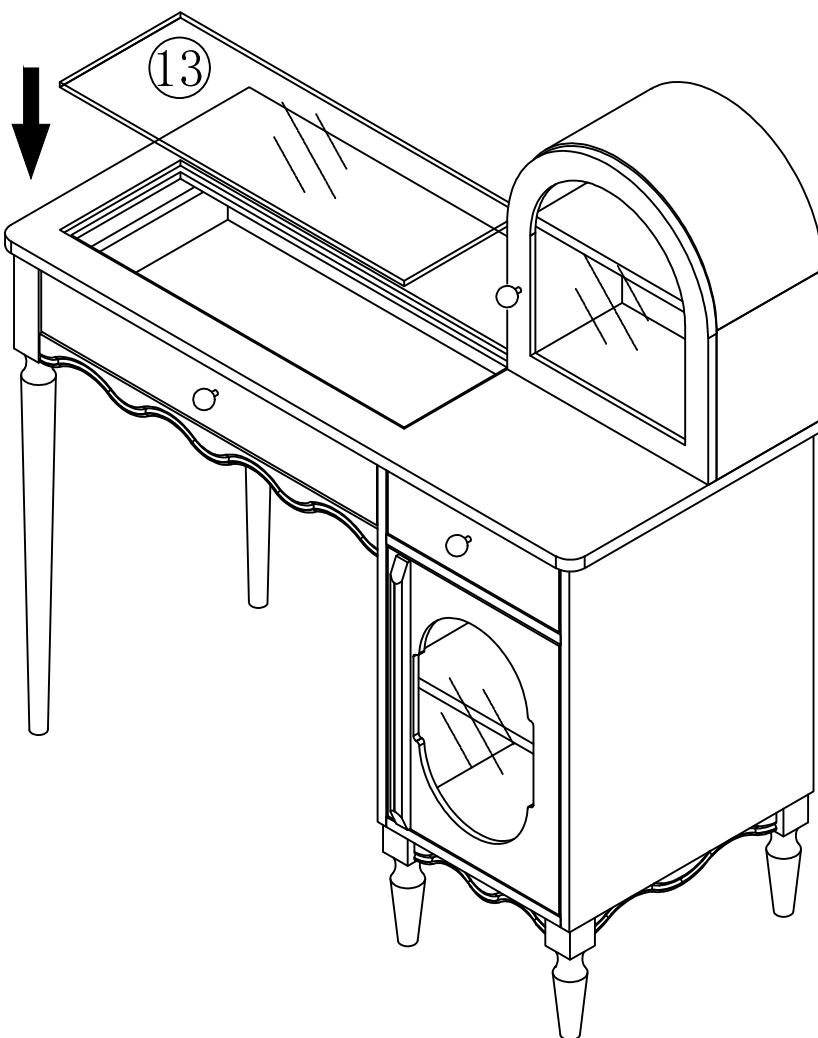
Step 19



Step 20



Step 21



Step 22

