

# ASSEMBLY INSTRUCTIONS

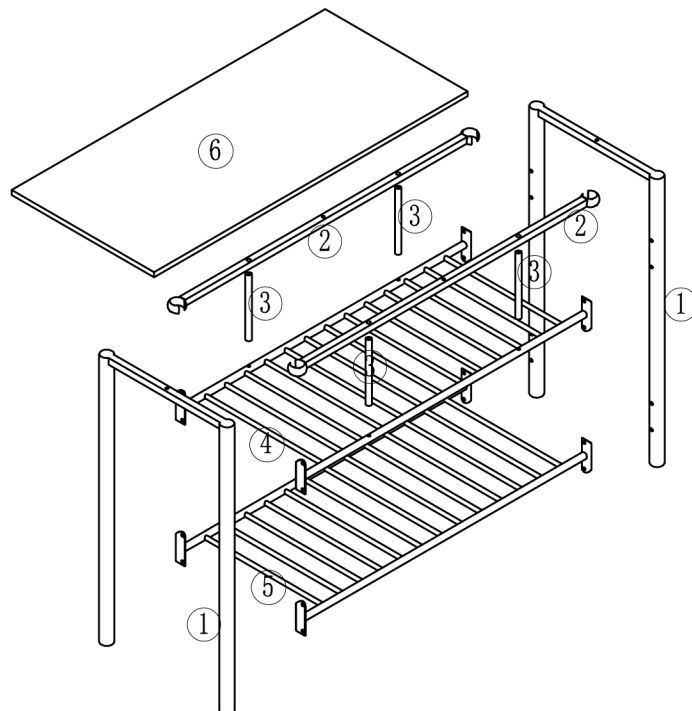
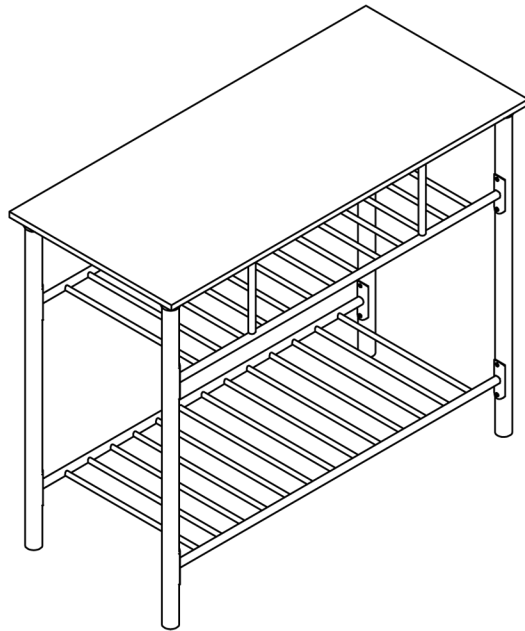
## SKU: WF294683

### IMPORTANT NOTE:

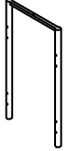
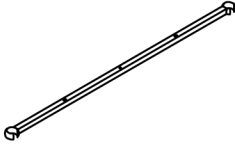

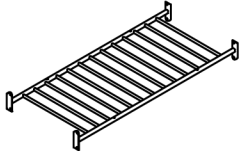
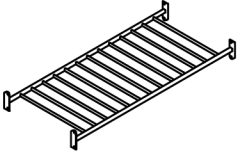
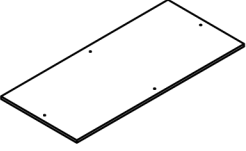
\*\*PLACE ALL PARTS ON A CLEAN AND SMOOTH SURFACE SUCH AS A RUG OR CARPET TO AVOID THE PARTS FROM BEING SCRATCHED.

\*\*BEFORE YOU BEGIN, KINDLY FOLLOW THE ASSEMBLY INSTRUCTIONS STEP BY STEP.



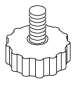


\*\*DO NOT TIGHTEN ALL SCREWS AND BOLTS UNTIL COMPLETELY ASSEMBLED.

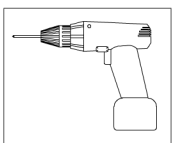


## Part List

|   |   |   |  |   |
|---|---|---|--|---|
|  |  |  |  |  |
| ① x2Pcs   | ② x2Pcs   | ③ x4Pcs   | ④ x1Pc   | ⑤ x1Pc  |
|   |   |   |  |   |
| ⑥ x1Pc  |   |   |  |   |

## Hardware List

|   |   |   |   |   |  |
|---|---|---|---|---|--|
|  |  |  |  |  |  |
| M6x30<br>Ax8Pcs   | M6x25<br>Bx4Pcs   | M8<br>Cx4Pcs  | 4#<br>Dx1Pc   | M6x15<br>Ex16Pcs  |  |



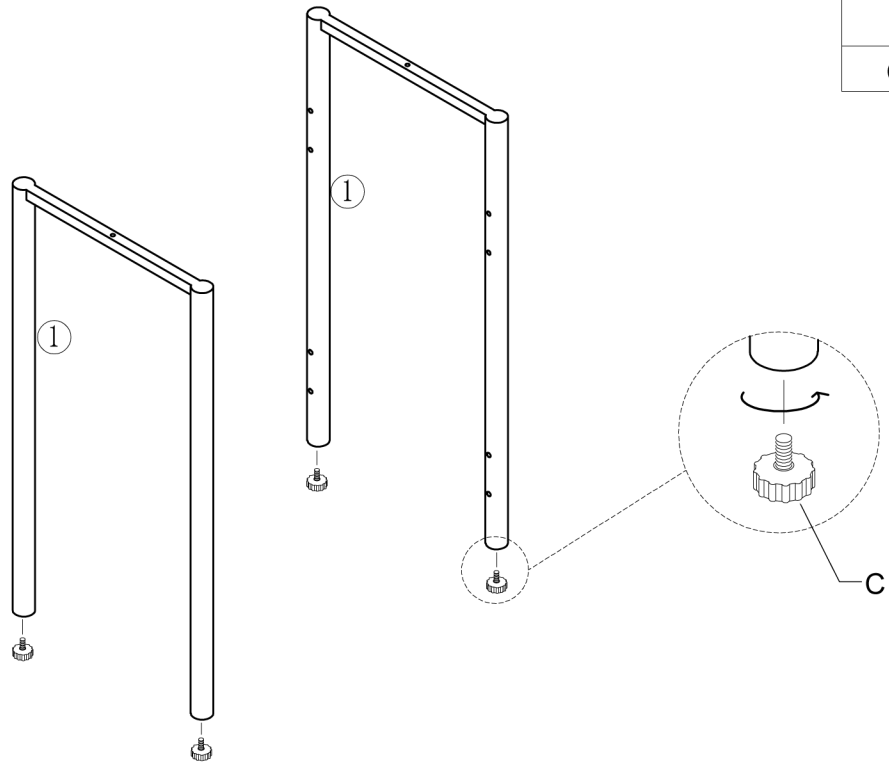
PLEASE BE CAREFUL. DO NOT DAMAGE THE HOLE POSITION WHEN YOU USE POWER TOOLS !

# Step 1

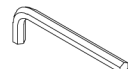


M8

Cx4Pcs



# Step 2



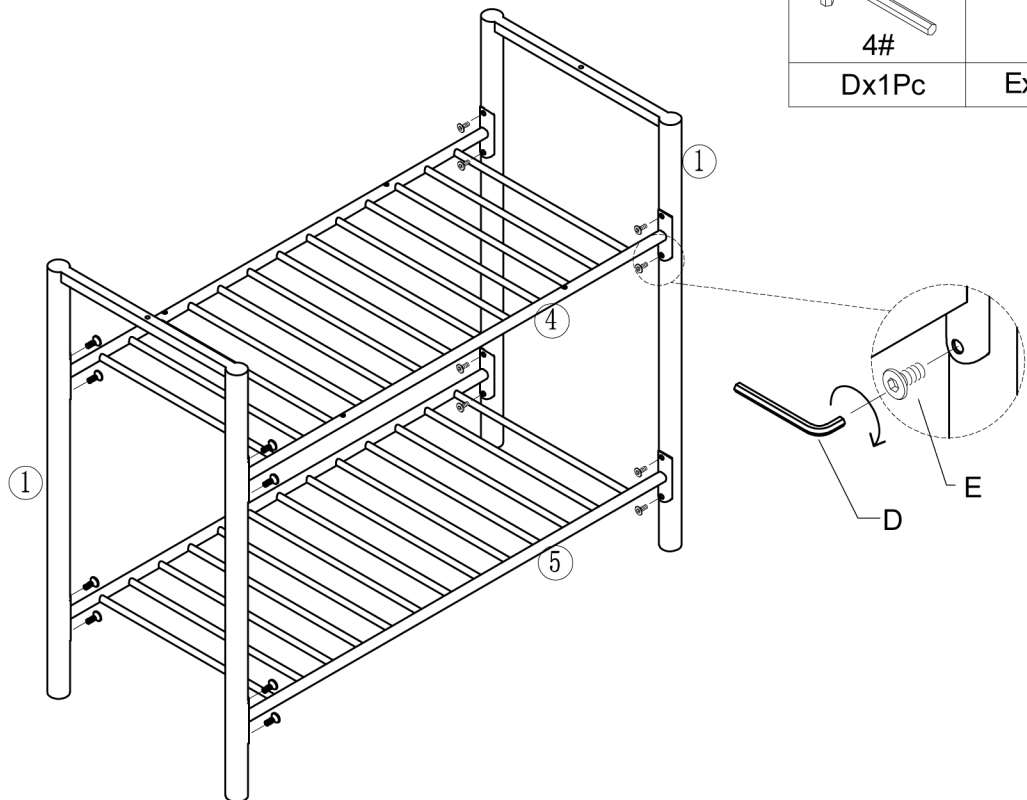
4#

Dx1Pc

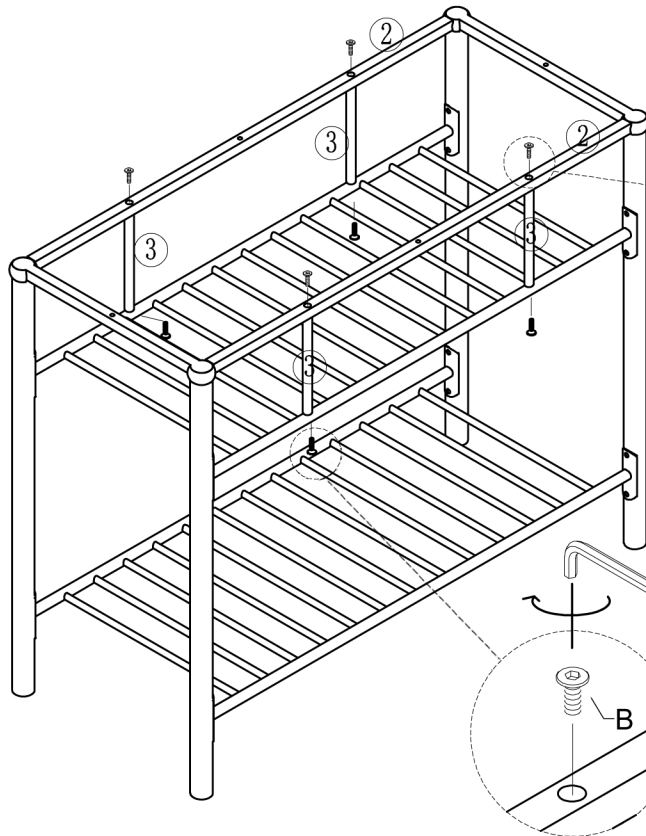


M6x15

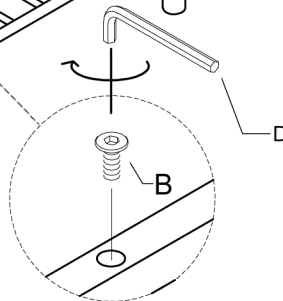
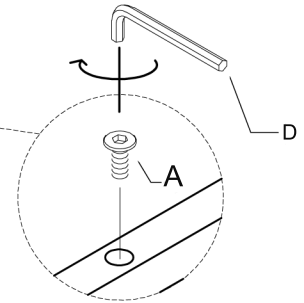
Ex16Pcs



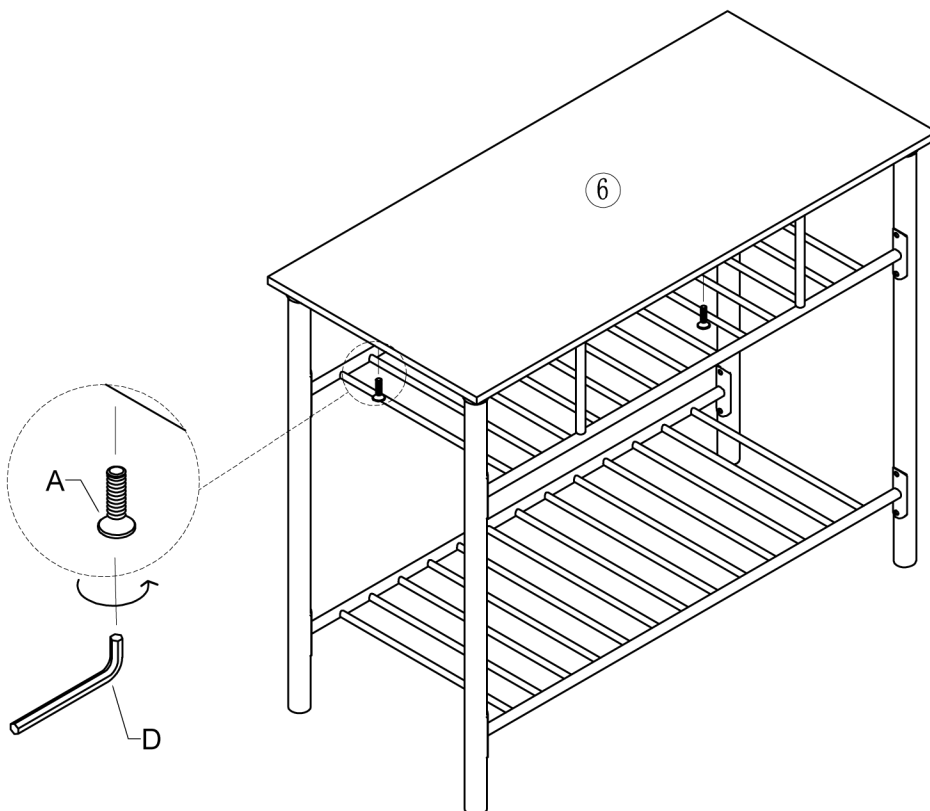
# Step 3



|             |                 |                 |
|-------------|-----------------|-----------------|
|             |                 |                 |
| 4#<br>Dx1Pc | M6x30<br>Ax4Pcs | M6x25<br>Bx4Pcs |



# Step 4



|             |                 |
|-------------|-----------------|
|             |                 |
| 4#<br>Dx1Pc | M6x30<br>Ax4Pcs |

