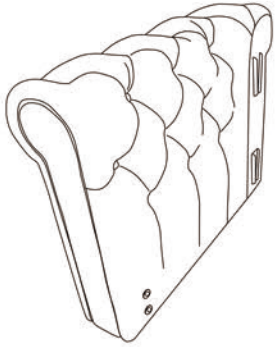
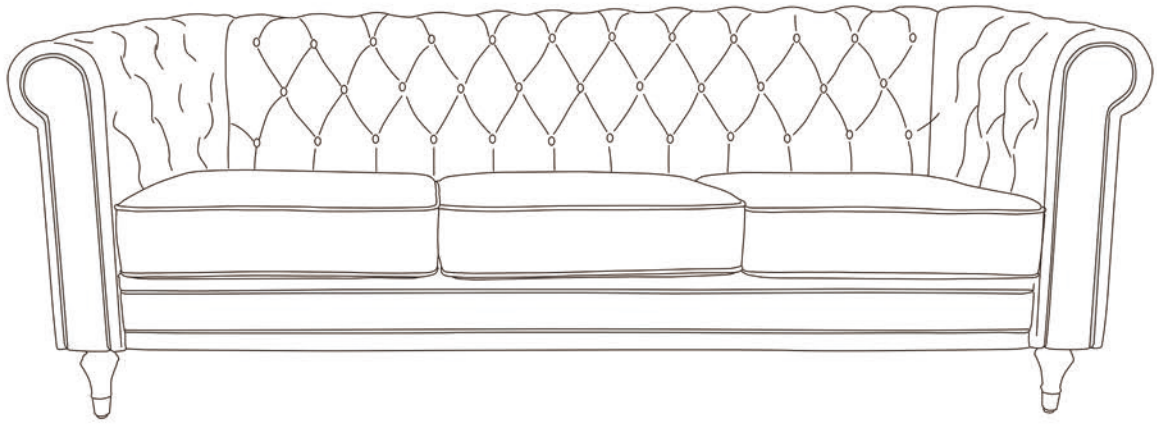
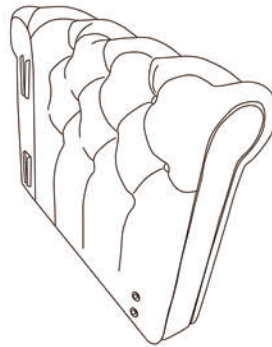


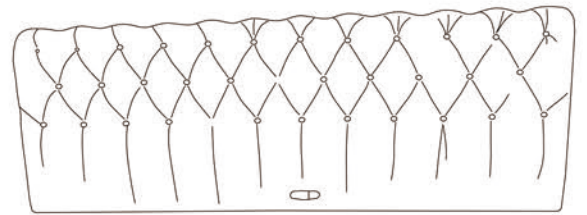
Assembly Instruction



A: left armrest x1pcs



B: right armrest x1pcs



C: sofa back x1pcs



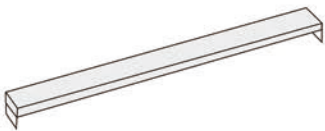
D: front board x1pcs



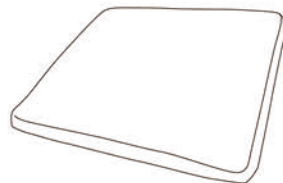
E: seat board x1pcs



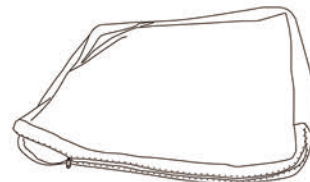
F: side bar x2pcs



G: mid bar x1pcs



H: seat cushion foam x3pcs



I: seat cushion cover x3pcs



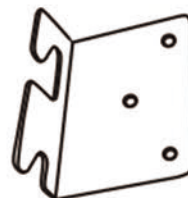
J: leg x4pcs



K: mid leg x2pcs



L: angle bracket(L) x1pcs



M: angle bracket(R) x1pcs



N: M6*20MM x10pcs



O: M6*60MM x4pcs

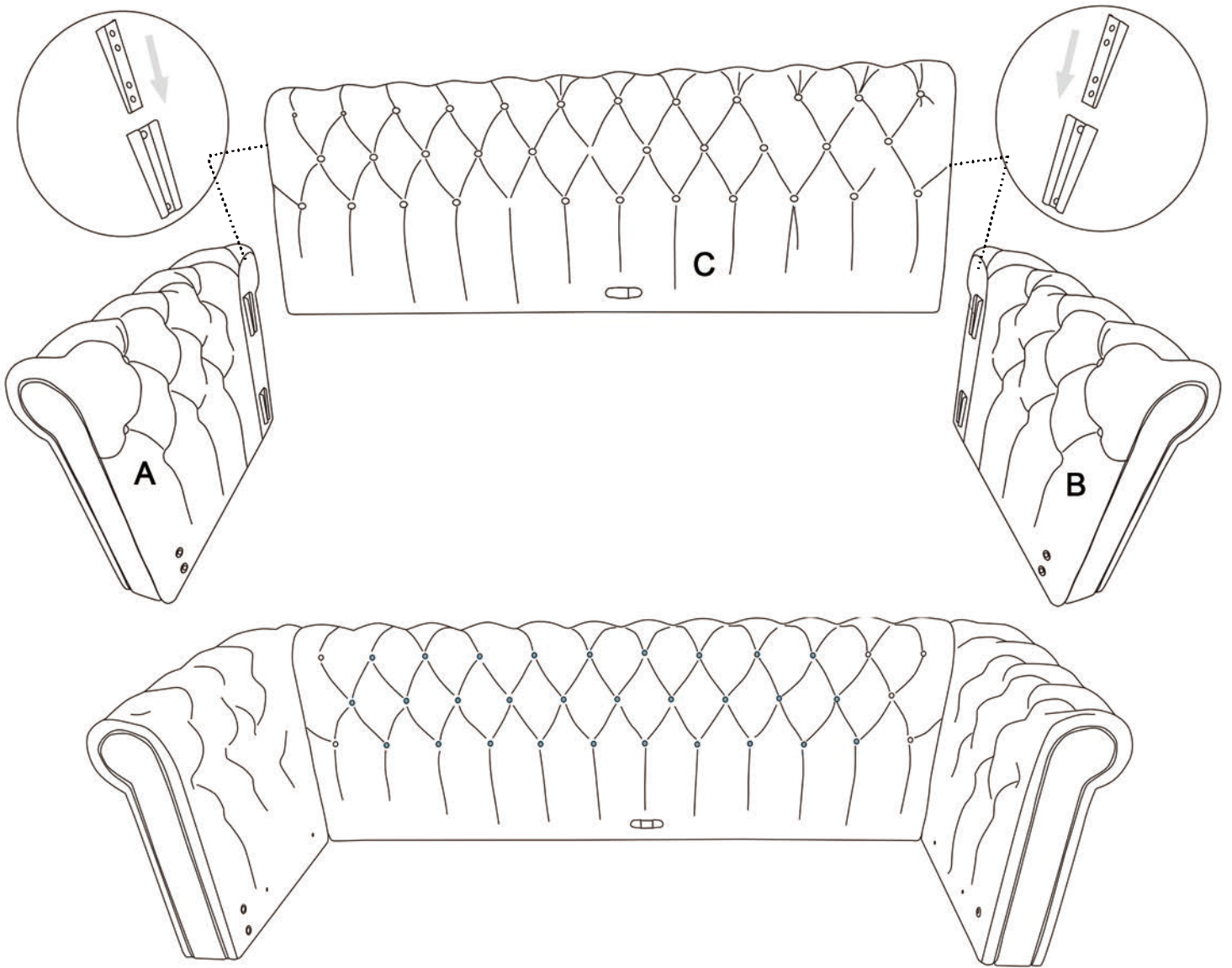


P: washer x8pcs

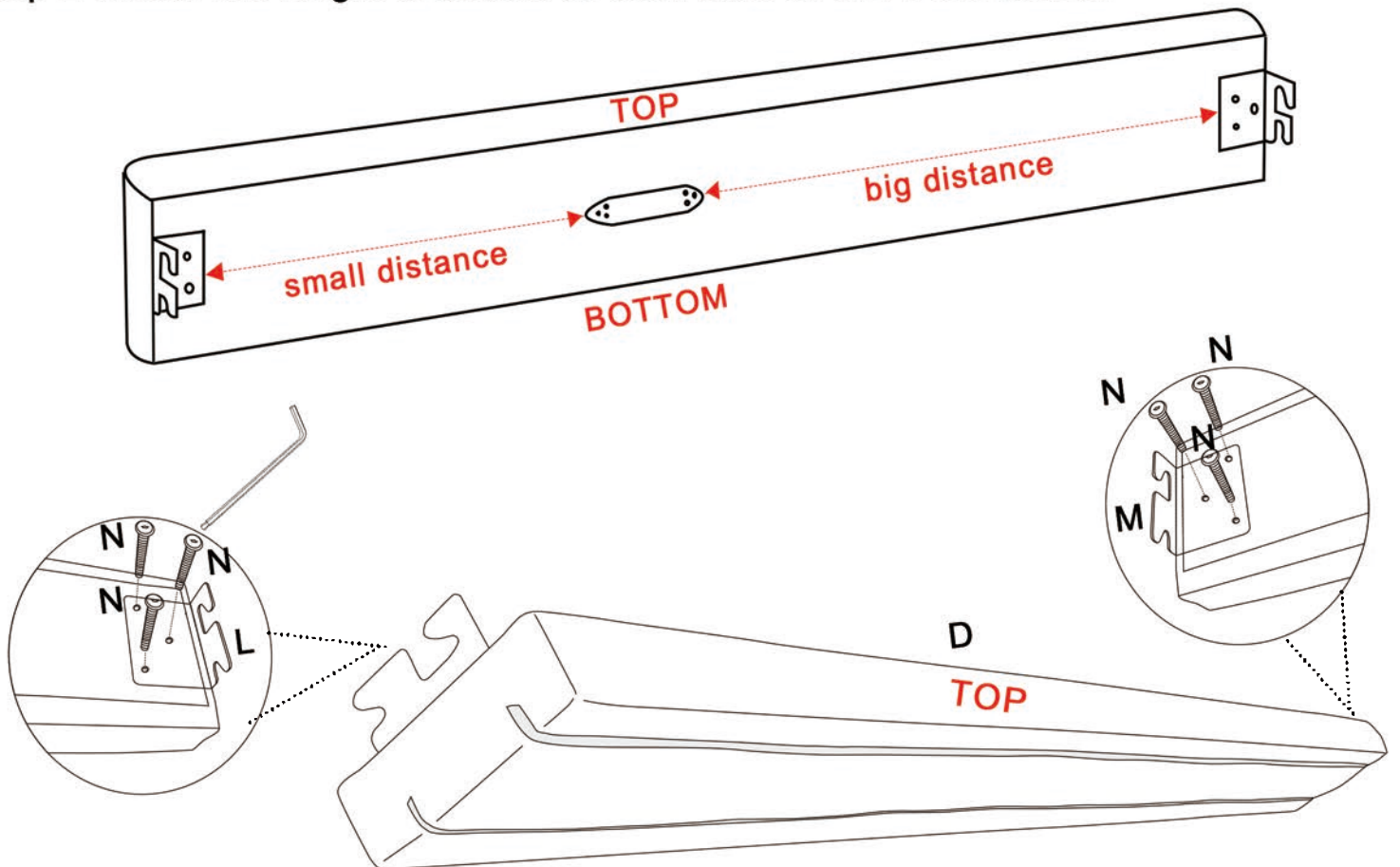


Q: hex key x1pcs

Step 1 Insert the backrest to each armrest.

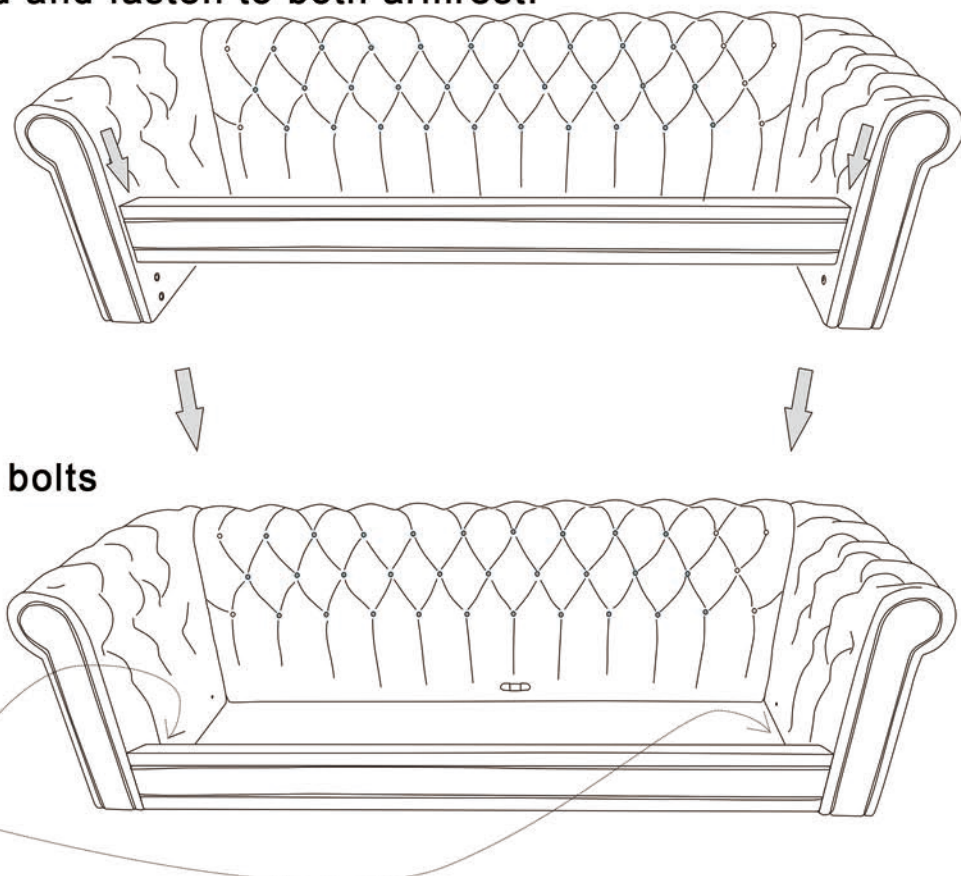
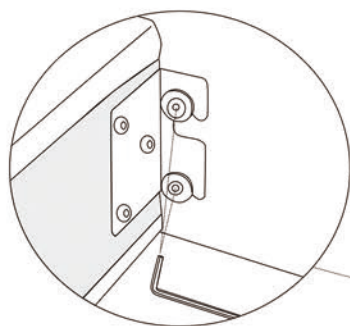


Step 2 Install the angle brackets to both side of the front board.

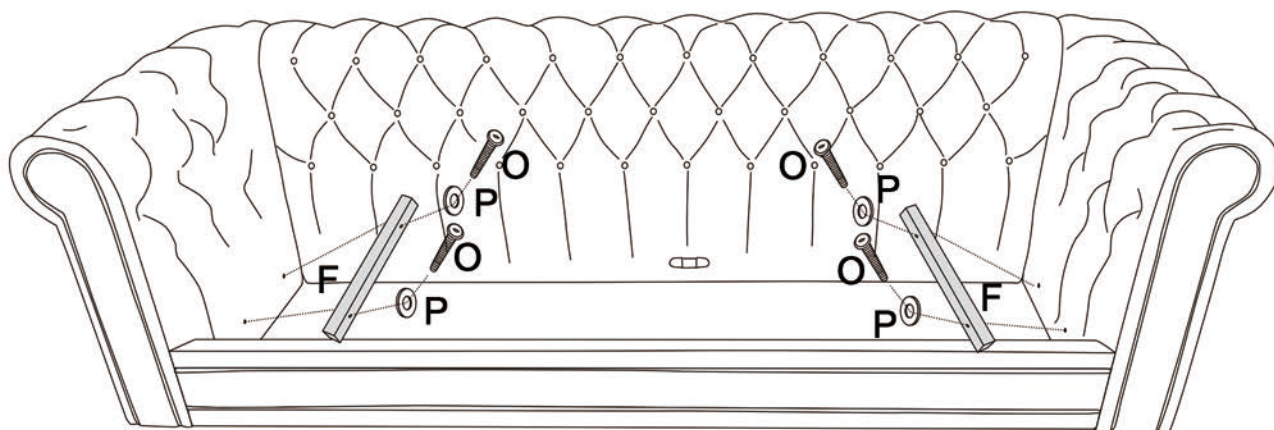


Step 3 Install the front board and fasten to both armrest.

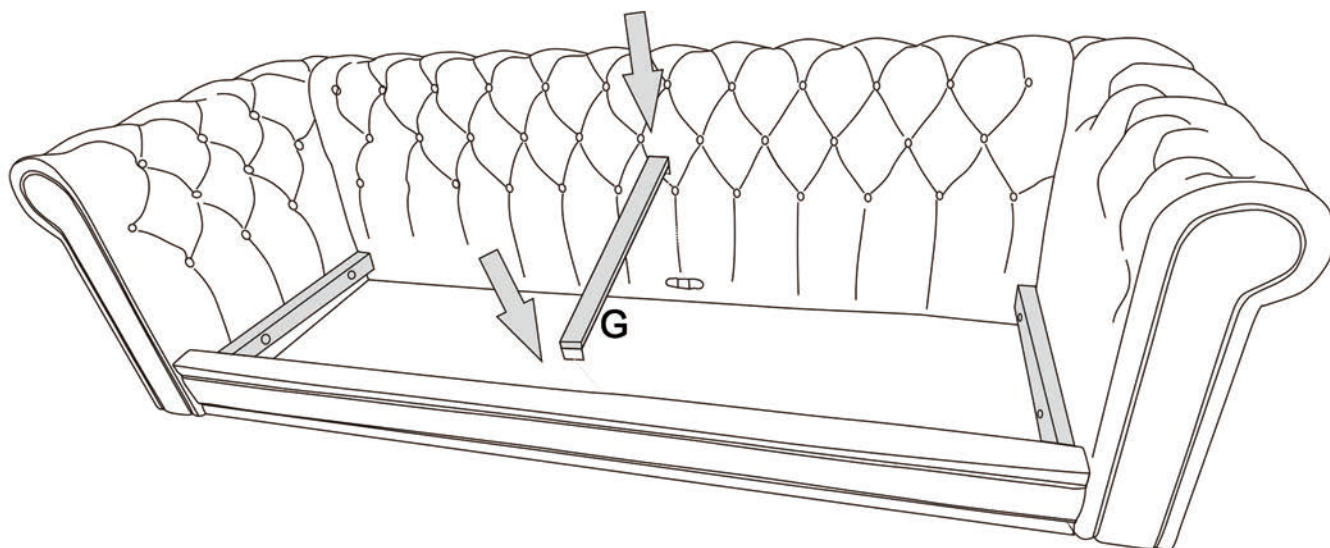
- 1)unscrew the bolt 50%
- 2)both brackets hook on the bolts
- 3)tighten the bolts



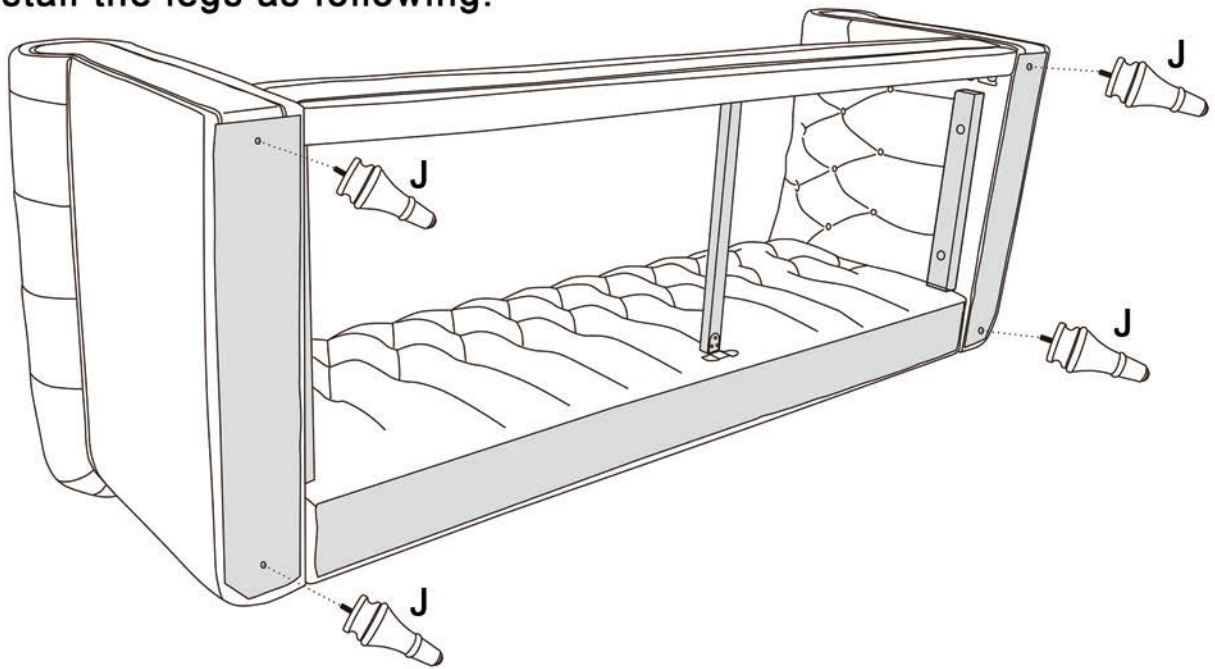
Step 4 Install the side bar on each armrest.



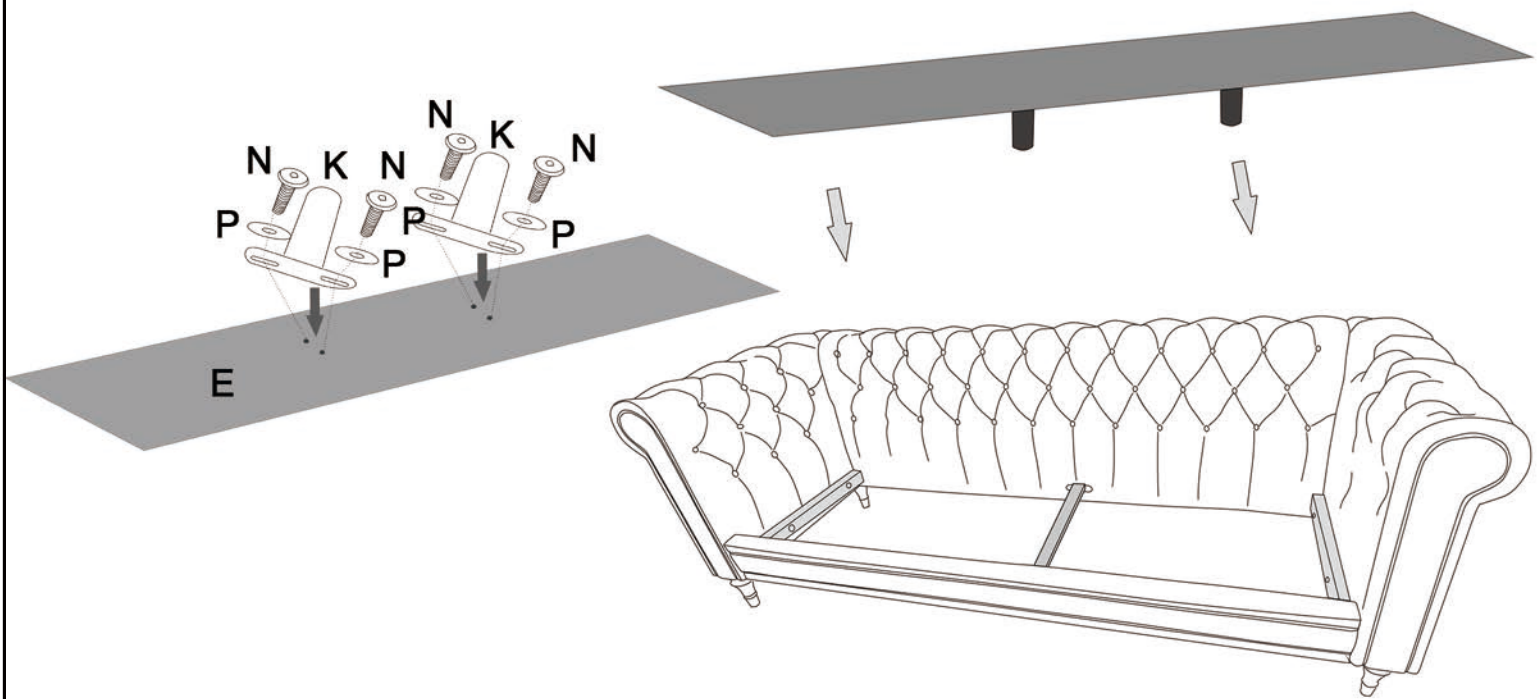
Step 5 Install the mid bar.



Step 6 Install the legs as following.

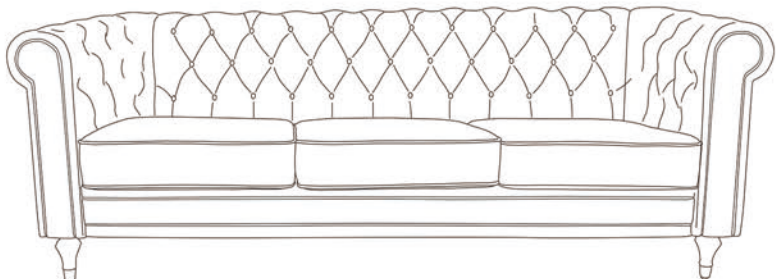
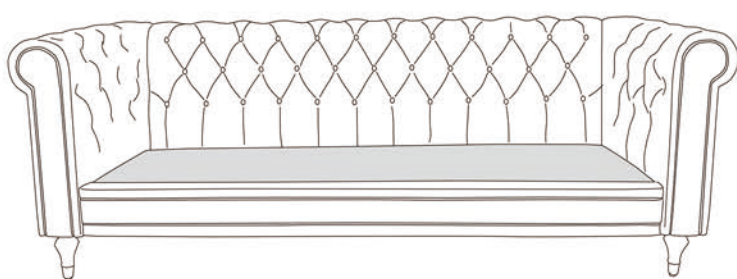
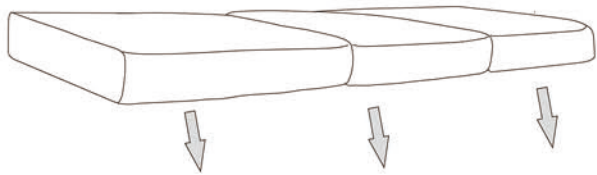


Step 7 Install the mid legs on the seat board.



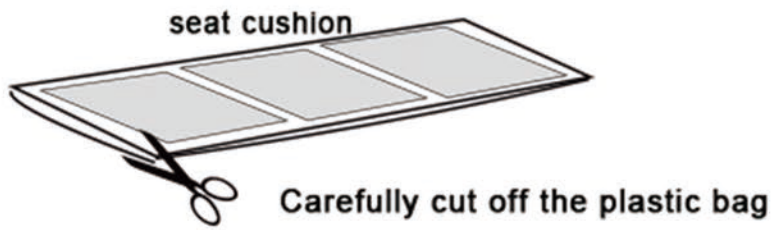
Step 8 Install the seat cushions.

Finish

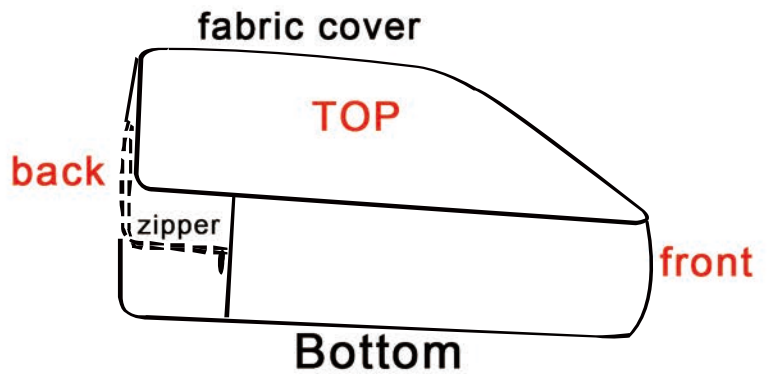
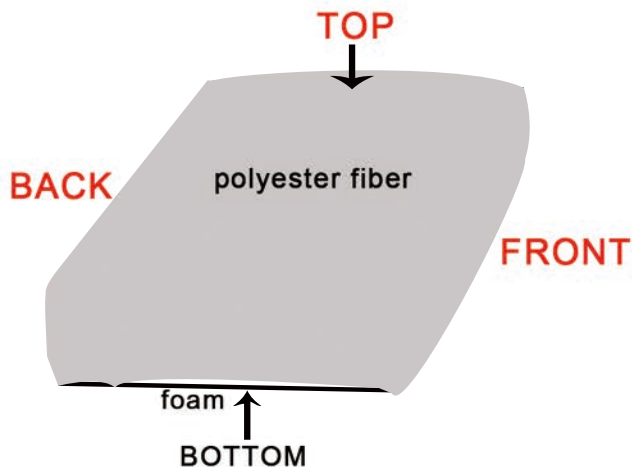


How to install the cushions

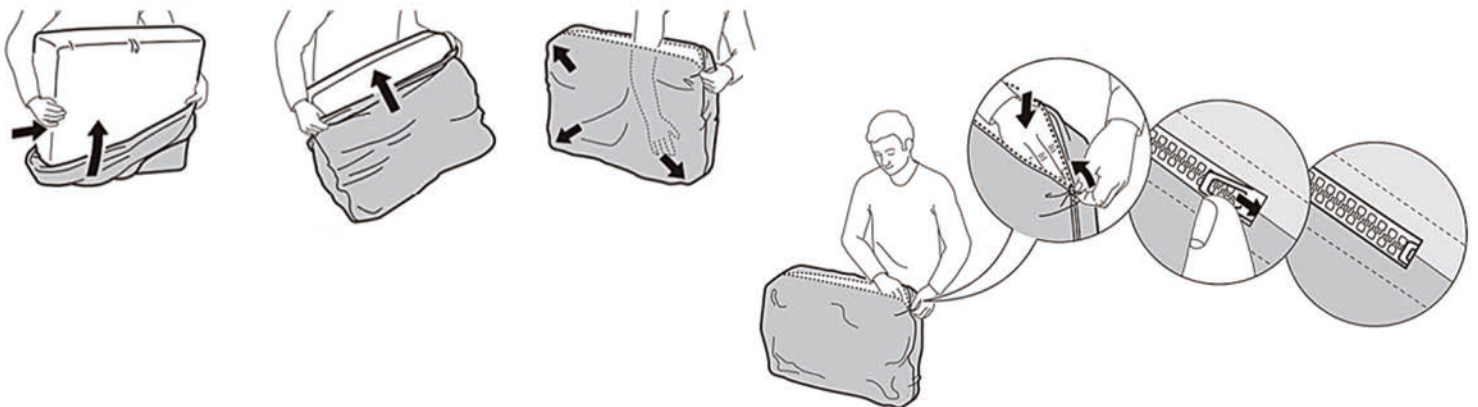
Step 1. Open the plastic bag and remove the cushions foam.



Step 2. Cover the fabric covers to all cushions foam. When you get the foam, you will see the RED words which side is the **top**, **front** and **back** as following.



How to tidy sofa seat cushion?



TIPS

At the beginning all cushions are a little loose which is normal. Please allow at least 72 hours for all cushions foam to recover to its natural state after covering the fabric covers.