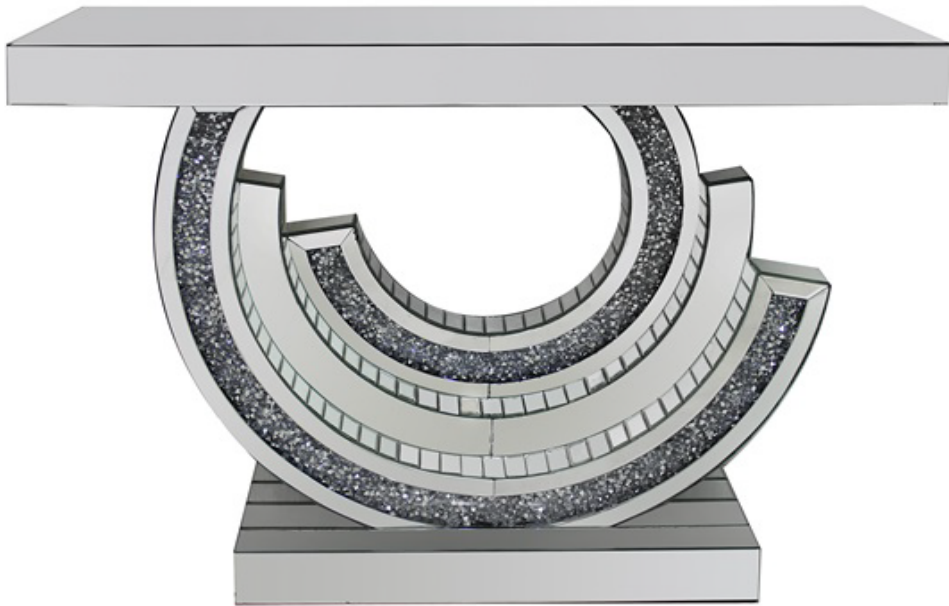


*ASSEMBLY INSTRUCTIONS  
COASTER FINE FURNITURE*



*Fine Furniture for every stage of life*

# ASSEMBLY INSTRUCTIONS

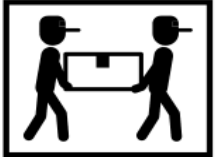
## ASSEMBLY TIPS:

- 1.Remove hardware from box and sort by size.
- 2.Please check to see that all hardware and parts are present prior to start of assembly.
- 3.Please follow attached instruction in the same sequence as numbered to assure fast & easy assembly.



### WARNING!

- 1.Don't attempt to repair or modify parts that are broken or defective. Please contact the store immediately.
- 2.This product is for home use only and not intended for commercial establishment.



ASSEMBLY TIME

10 MINUTES

## PARTS IDENTIFICATION

## Z-HARDWARE

B1: TOP

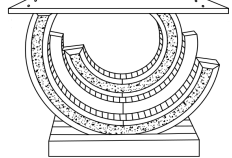
A TABLE TOP



1PC

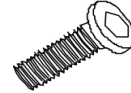
B2: BASE

B BASE



1PC

1 BOLT 8X35MM



4PCS

2 WASHER φ20X2MM



4PCS

3 ALLEN KEY 30X80MM

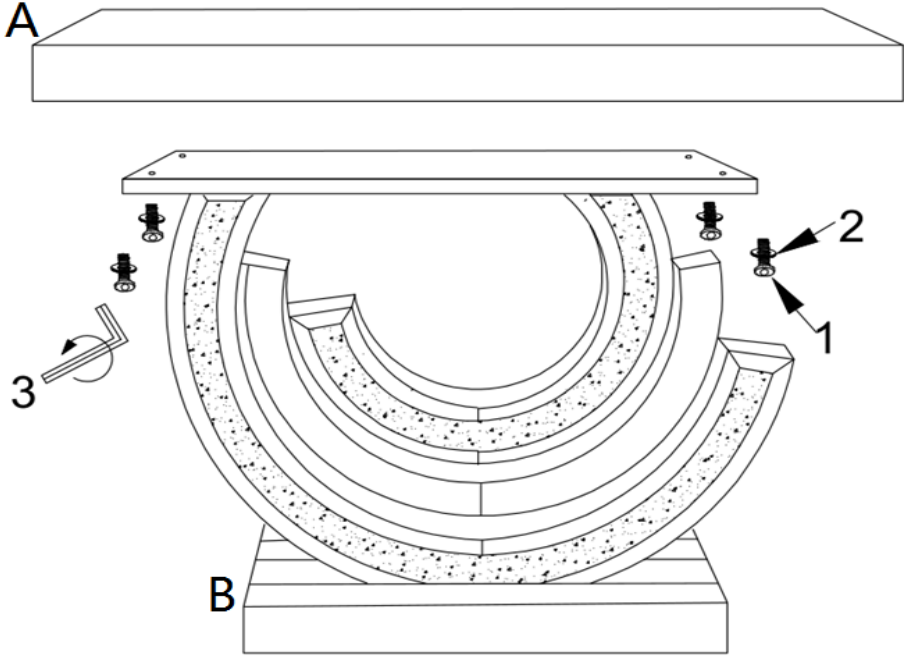


1PC

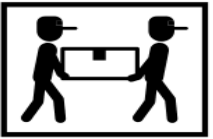
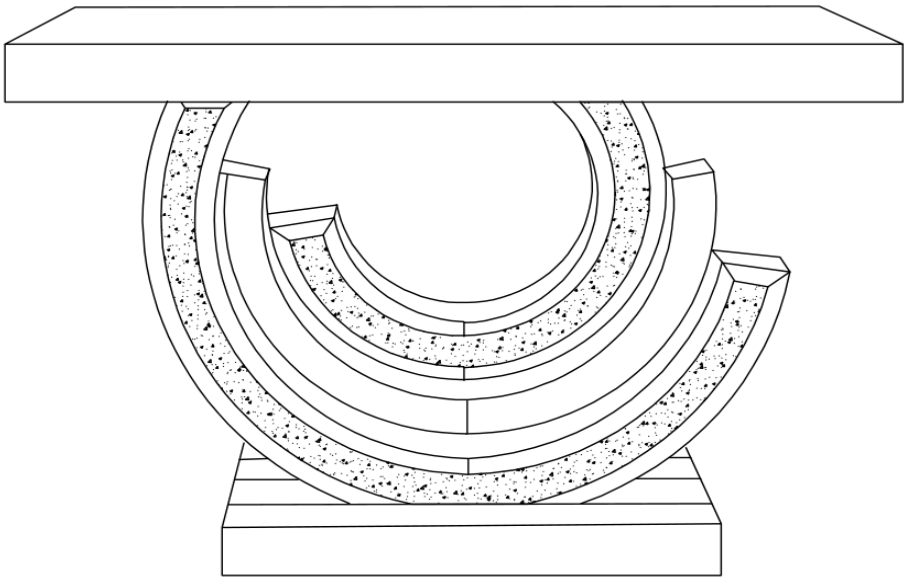
HARDWARE PACK IS LOCATED IN 953422 (B1)

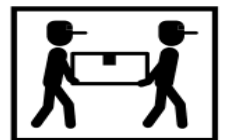
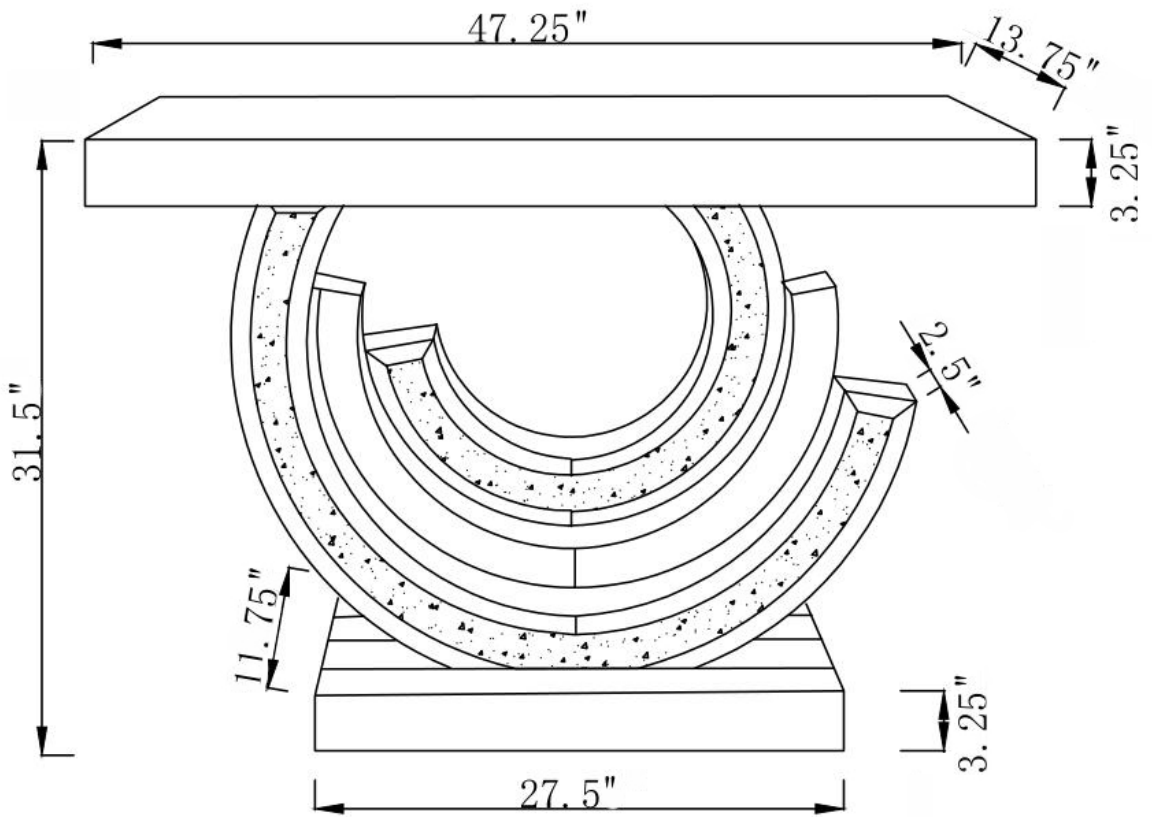
**ASSEMBLY INSTRUCTIONS**

**STEP 1**



**STEP 2**





Note: Dimension tolerance  $\pm 5\%$