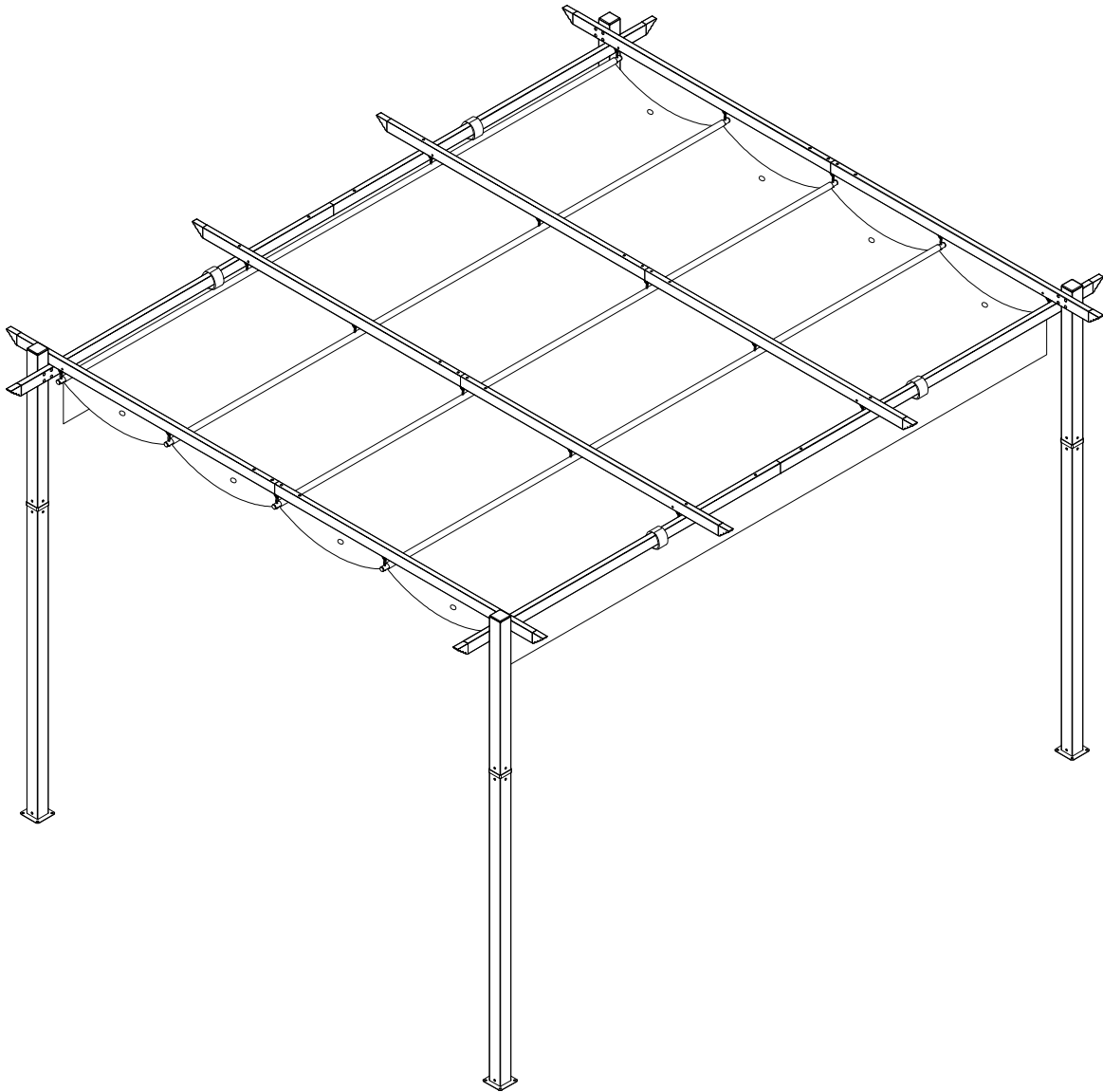


# Retractable Pergola Assembly and Installation Guide



KRKYOT261KK & KRKYOT261GY

# Important Notice:

## 1. Pre-Installation Preparation & Verification:

Before assembly, review the parts list to ensure all components/hardware are included (contact customer support for missing / damaged parts immediately). Ensure the installation area is level, stable and obstruction-free; use appropriate anchors/stakes for ground-mounted pergolas.

## 2. Assembly Safety Guidelines:

Handle components carefully (sharp edges may exist) and wear protective gloves if needed. Use provided tools and follow assembly instructions step-by-step to avoid injury or product damage.

## 3. Load Limitations:

Distribute items placed on the pergola evenly to prevent structural stress or instability.

## 4. Weather Protection:

Protect the pergola from extreme weather (heavy snow, ice, heavy rain, high winds) despite outdoor design. Retract the canopy during severe weather and regularly inspect fabric/frame for wear or damage.

## 5. Child & Pet Safety:

Keep small parts, tools and hardware out of children/pets' reach. Install the pergola in a tripping-hazard-free area and do not allow children to climb or play on the structure.

## 6. Maintenance & Cleaning:

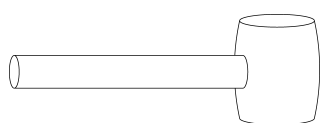
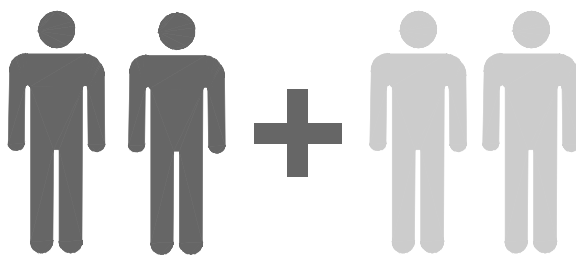
Regularly inspect for loose screws, bolts or components and tighten fasteners as needed. Clean the canopy with mild detergent and water; avoid abrasive cleaners that may damage materials.

## 7. Operation & Adjustment Tips:

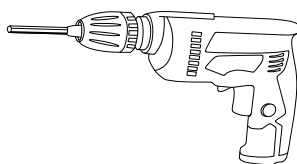
Retract/extend the canopy smoothly and evenly to avoid straining the mechanism. Do not force it if it moves abnormally; check for obstructions or damage first.

## 8. Support & Packaging Disposal:

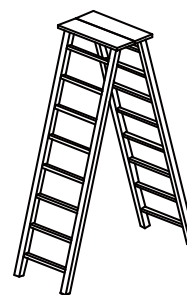
Contact customer support for installation/operation difficulties or product questions. Dispose of all packaging materials properly after installation to avoid tripping hazards.



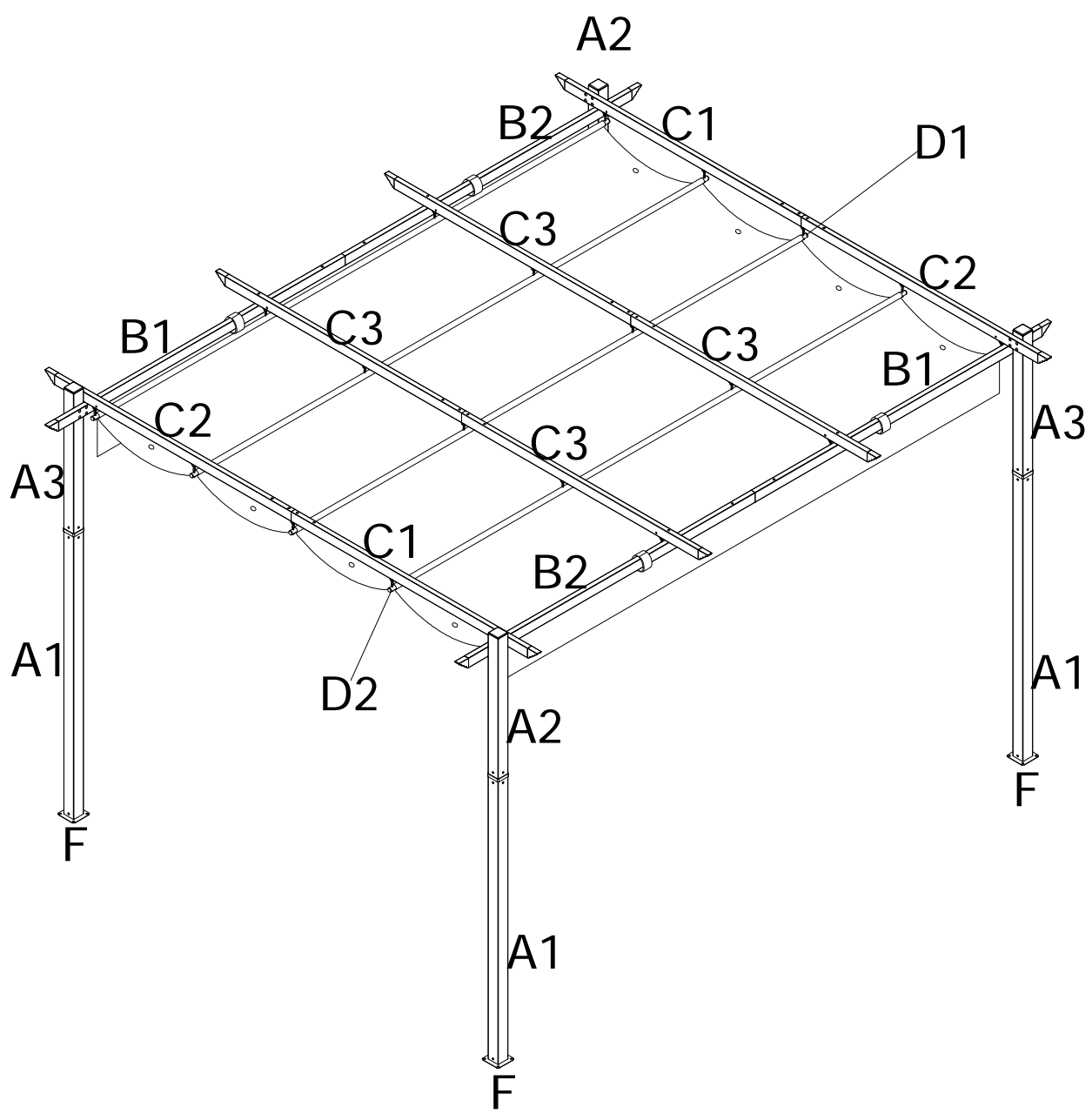
Hammer

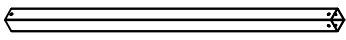
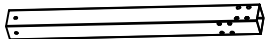
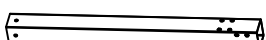


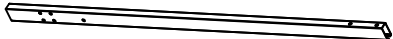



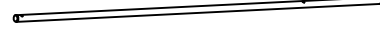








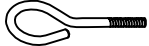




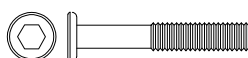






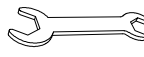
Electric Screw Gun



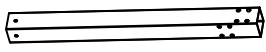
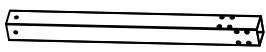
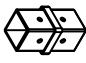

Ladder





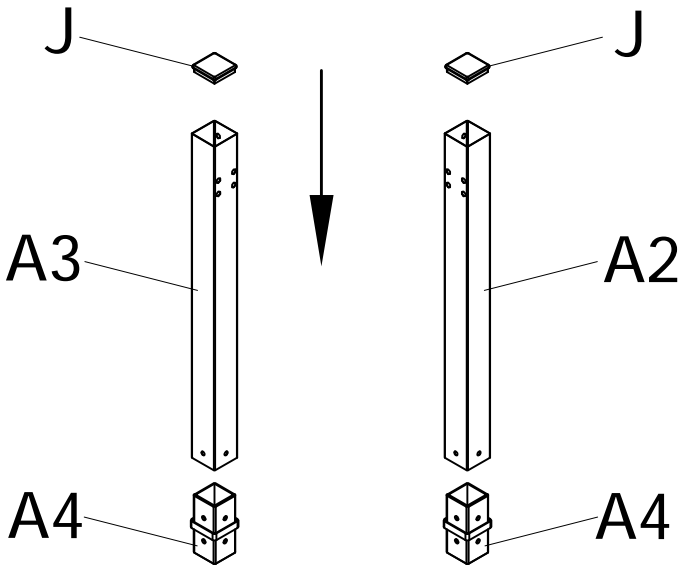
ITEM	DESCRIPTION	QTY
A1		4
A2		2
A3		2
B1		2
B2		2
C1		2
C2		2
C3		4
D1		5
D2		5
E1		2
E2		4
F		4
A4		4
J		4
K		12
L		1
M		20
N		20+1

ITEM	DESCRIPTION	SIZE	QTY
H1		M6X15	64+4
H2		M6X35	8+1
H3		M6X65	4+1
H4		M6	80+4
H5		M6	8+1
H6		25-M6X15	32
H7		M4	20+1
HQ1		4X140	8
HQ3		4MM	2
HQ4		7MM — 10MM	1

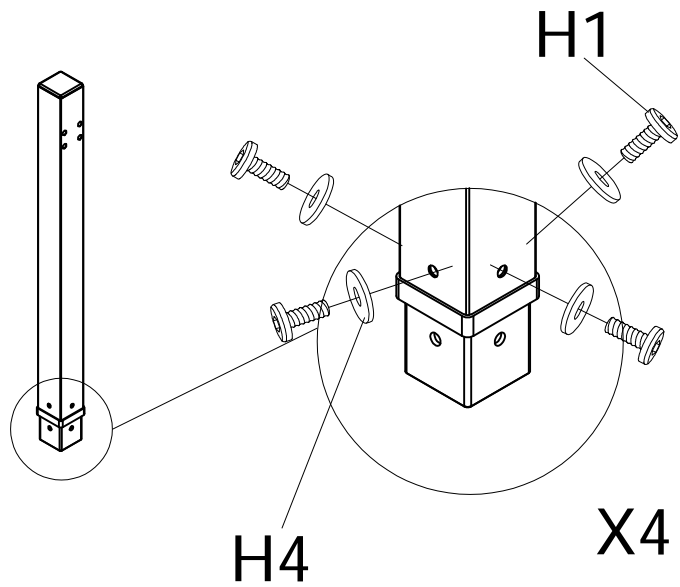
# 1

A2		2
A3		2
A4		4
J		4




H1		M6X15	16
H4		M6	16

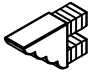




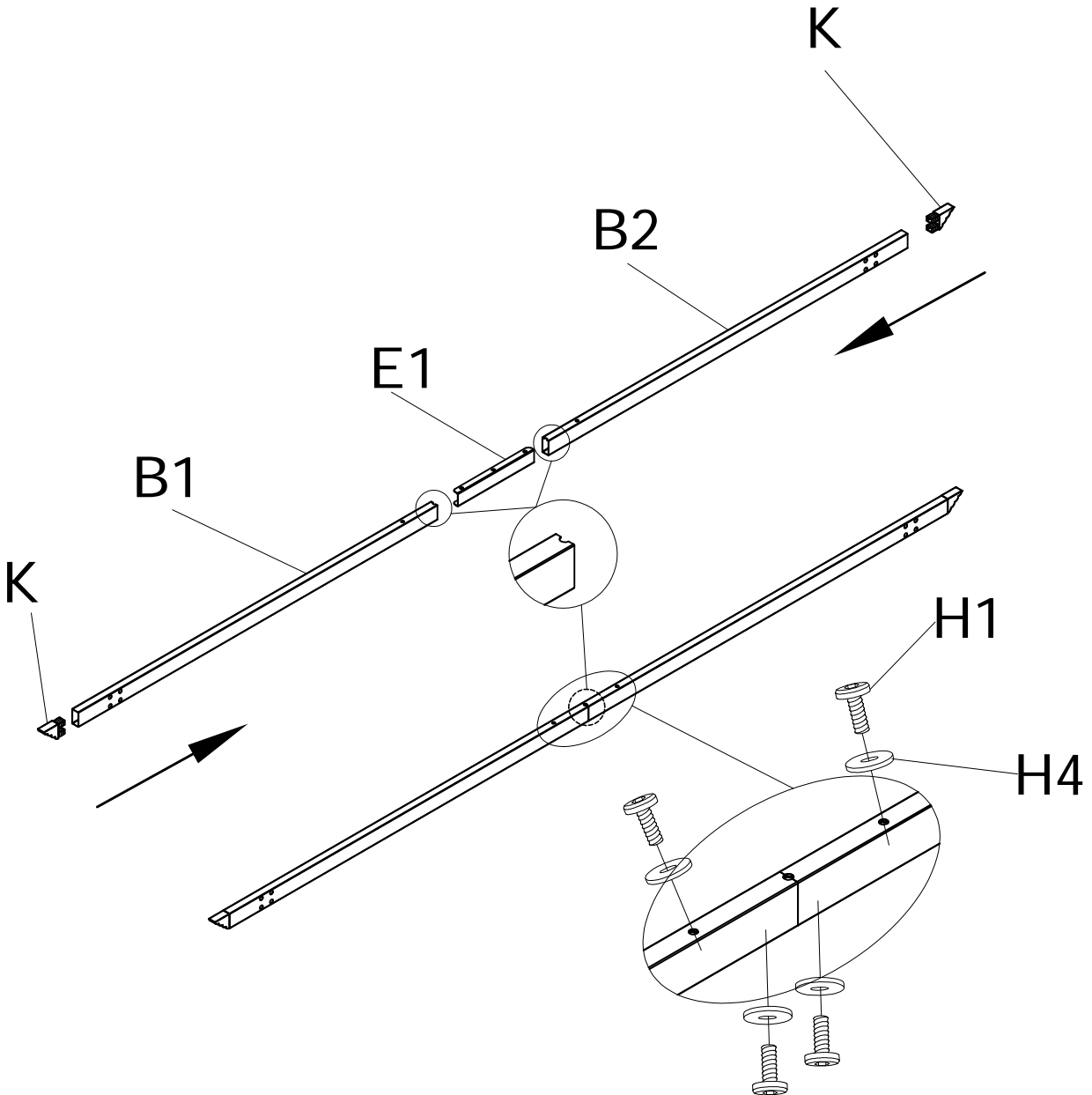
X2



# 2

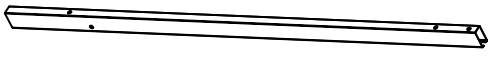



B1		2
B2		2
E1		2



K		4
H1	 M6X15	8
H4	 M6	8

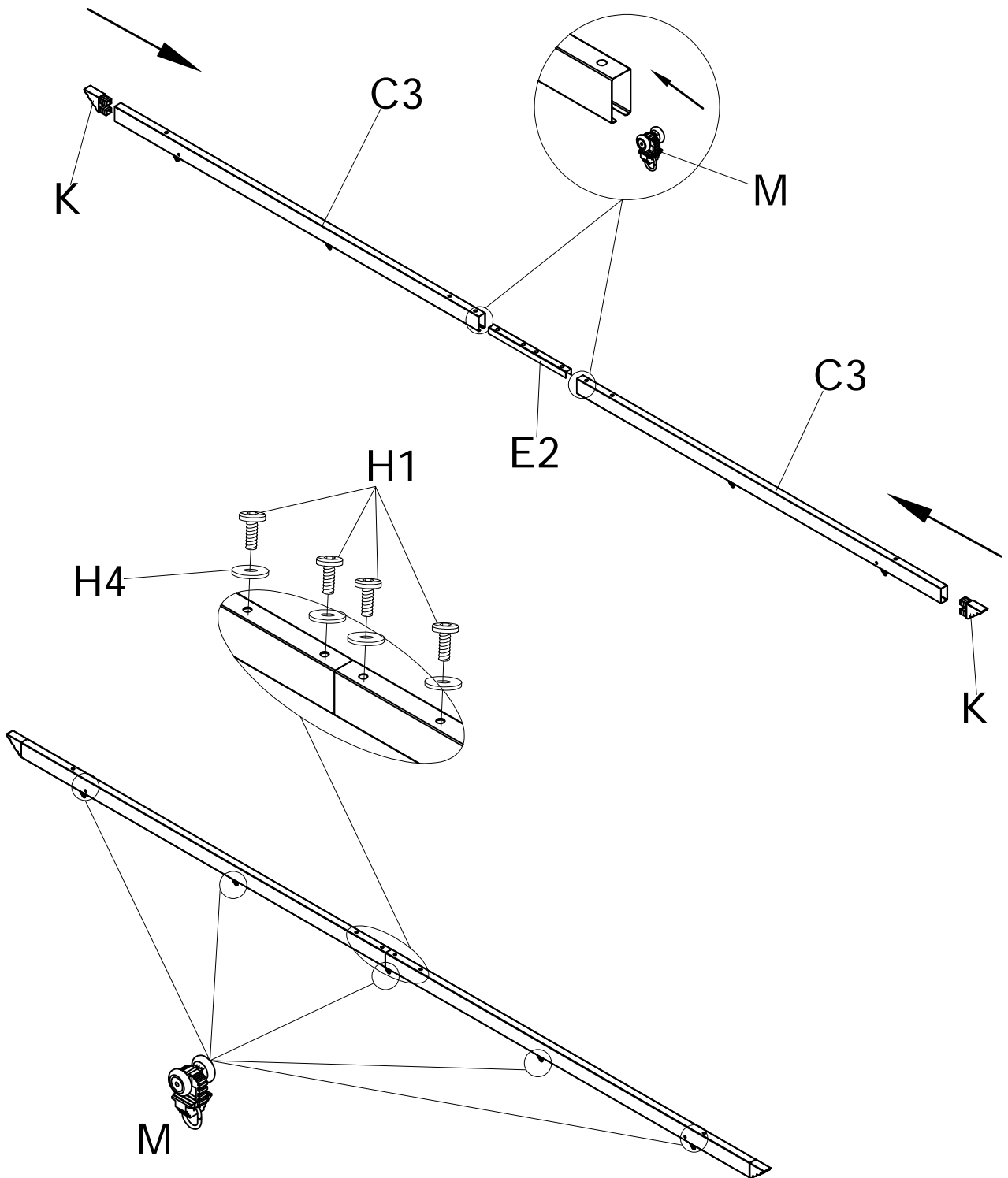


X2

# 3


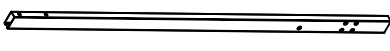



C3		4
E2		2
K		4
M		10



H1		M6X15	8
H4		M6	8

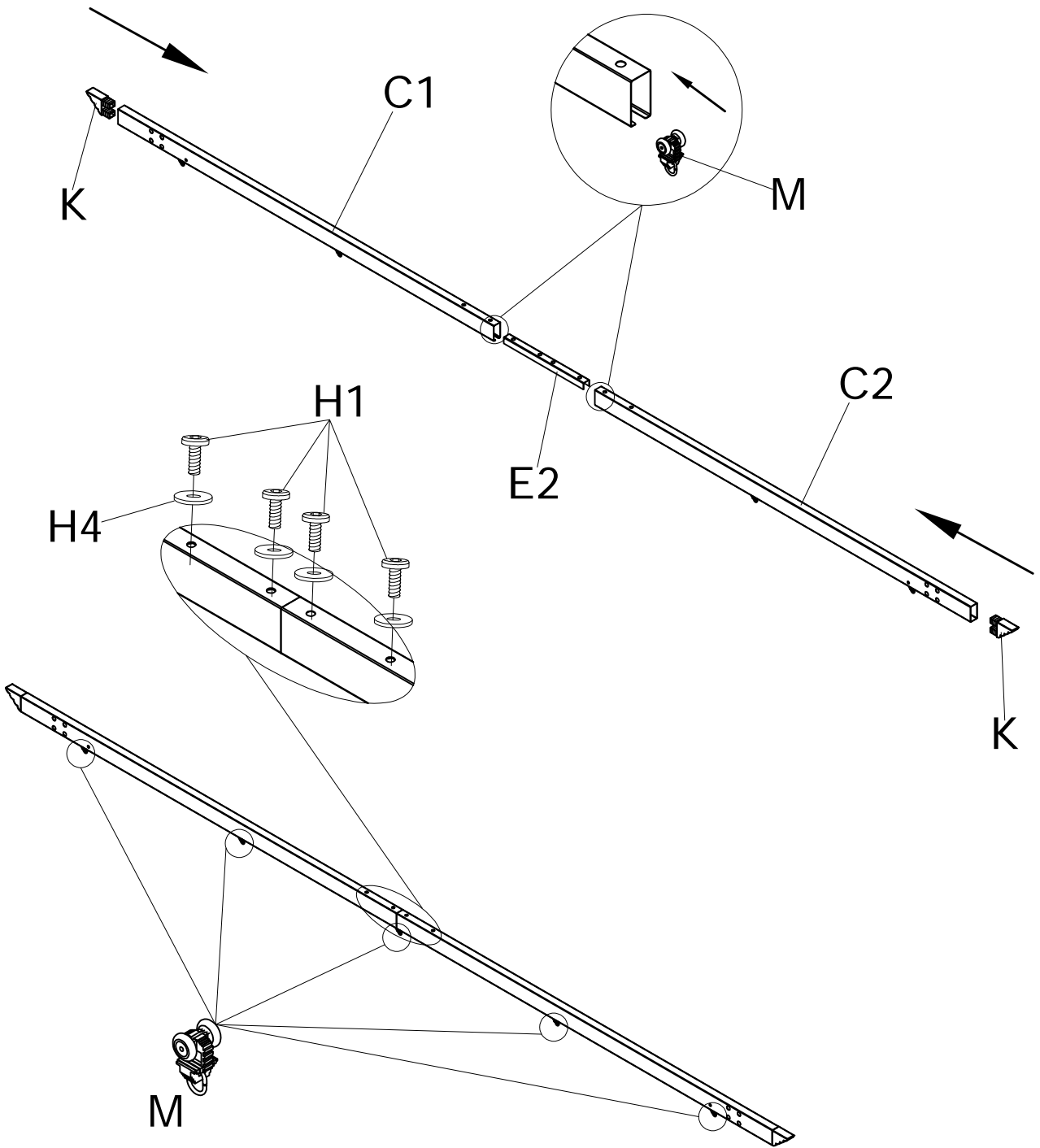


X2

4

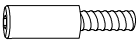
C1		2
C2		2
E2		2
K		4
M		10

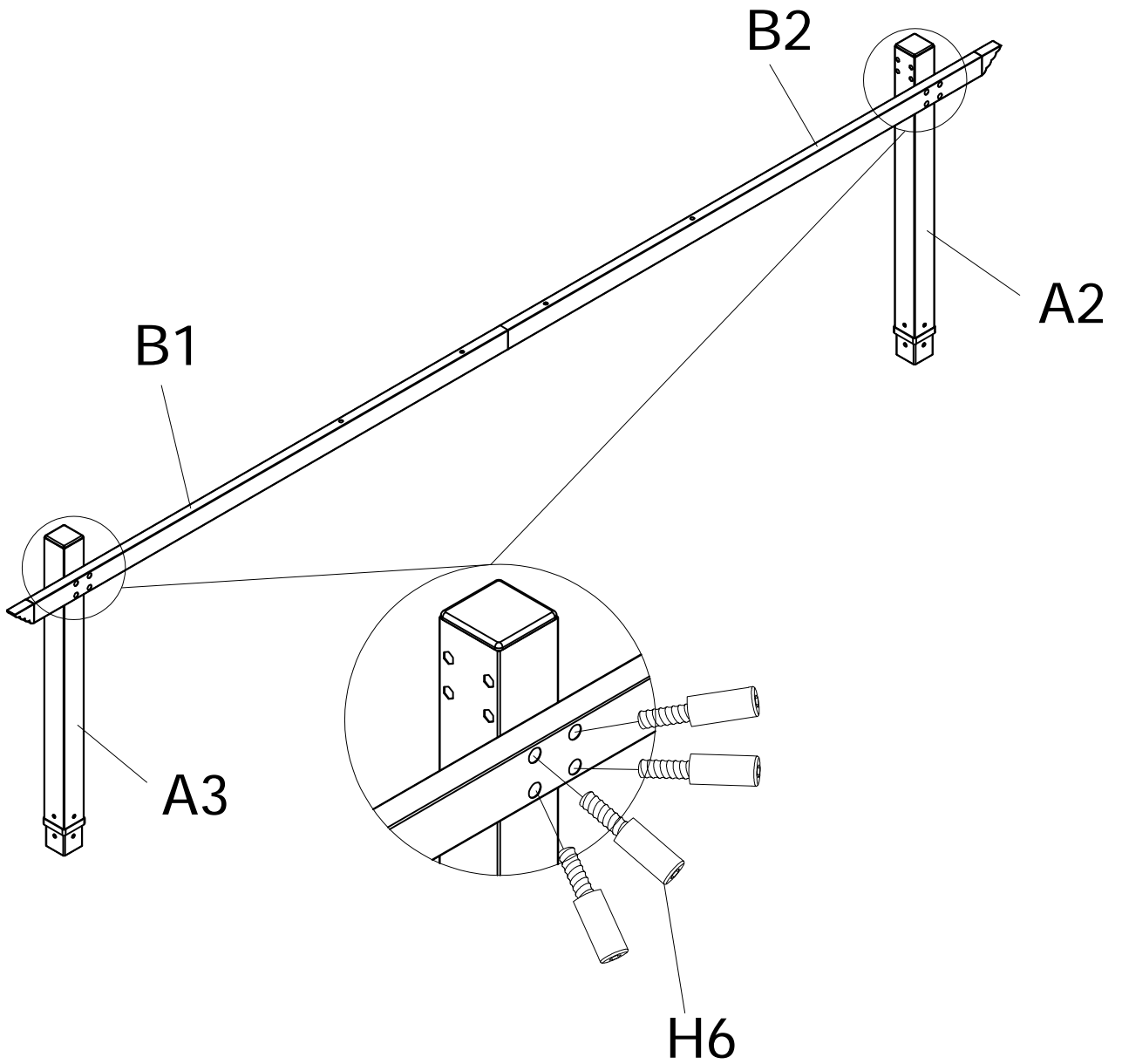
H1		M6X15	8
H4		M6	8



X2

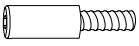
5

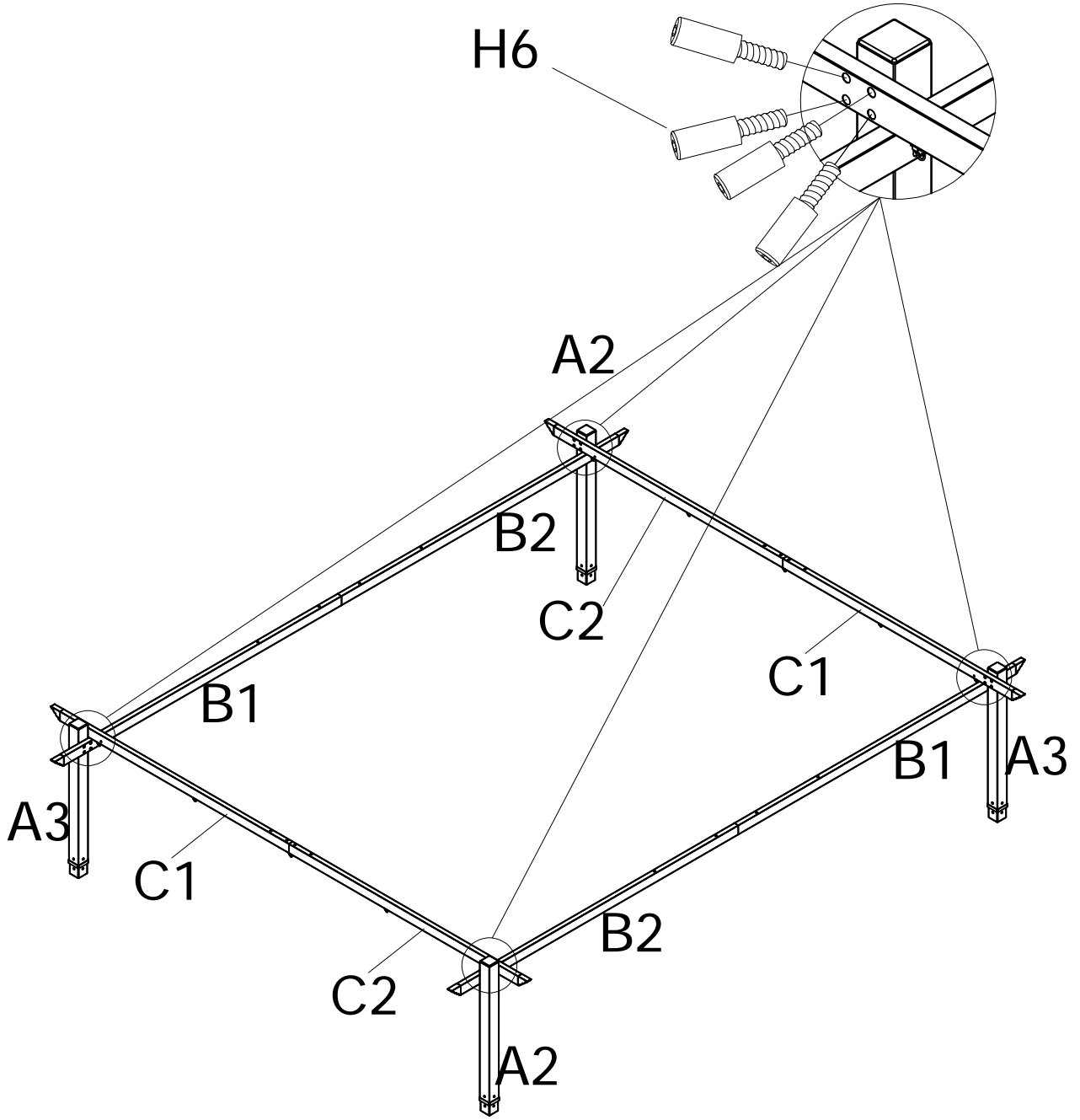
H6		25-M6X15	16
----	---	----------	----



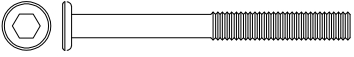

X2

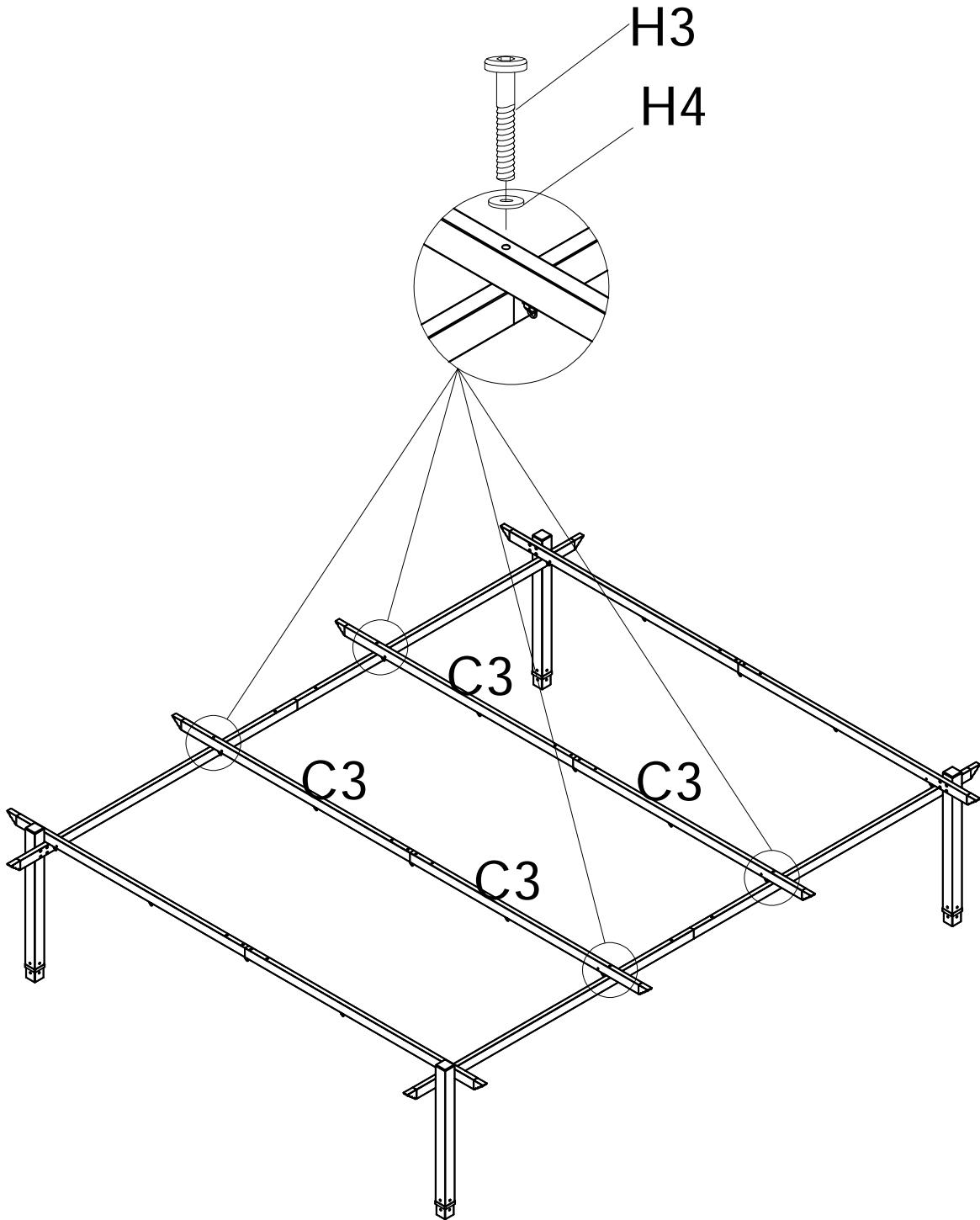
6

H6		25-M6X15	16
----	---	----------	----






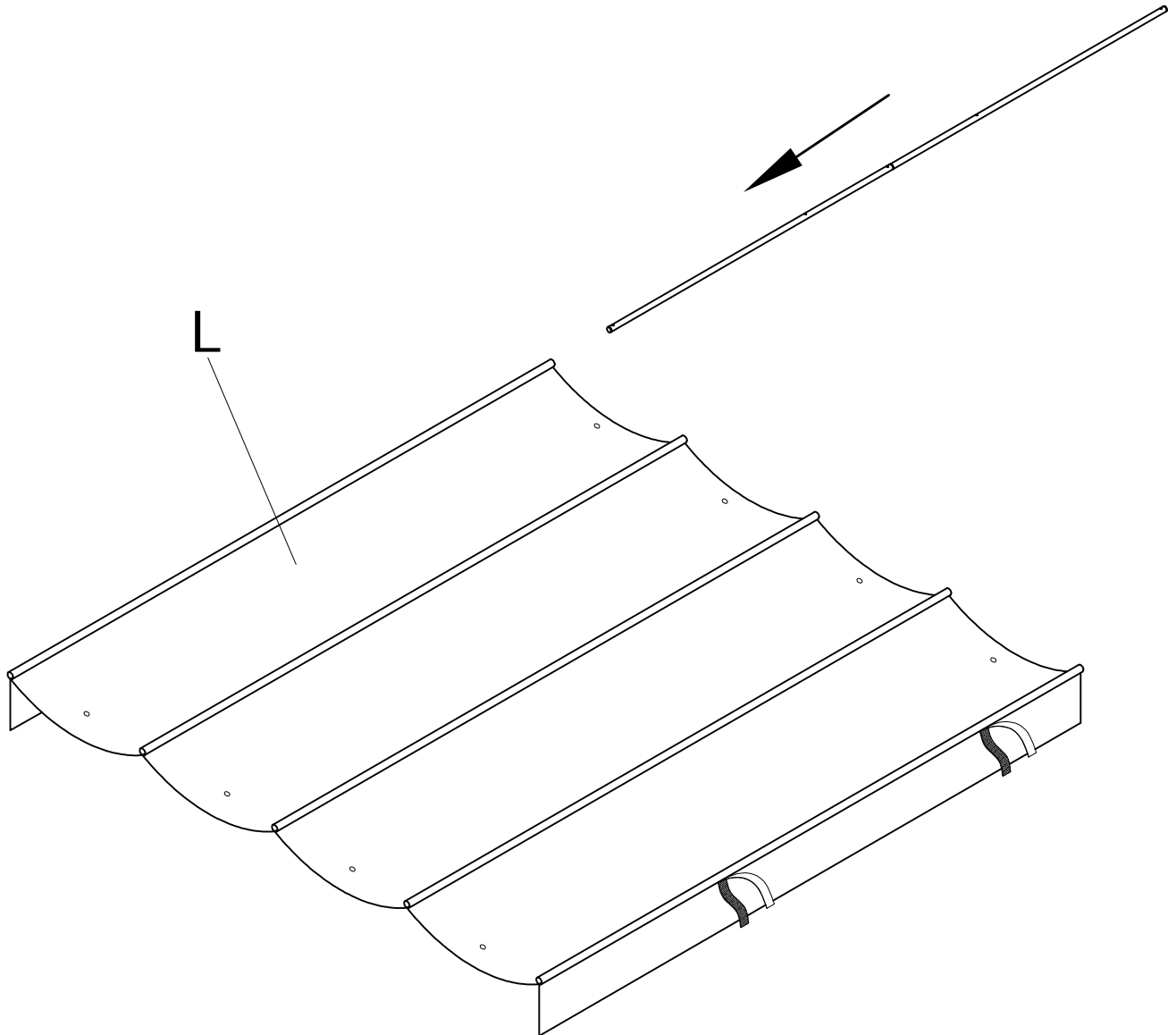
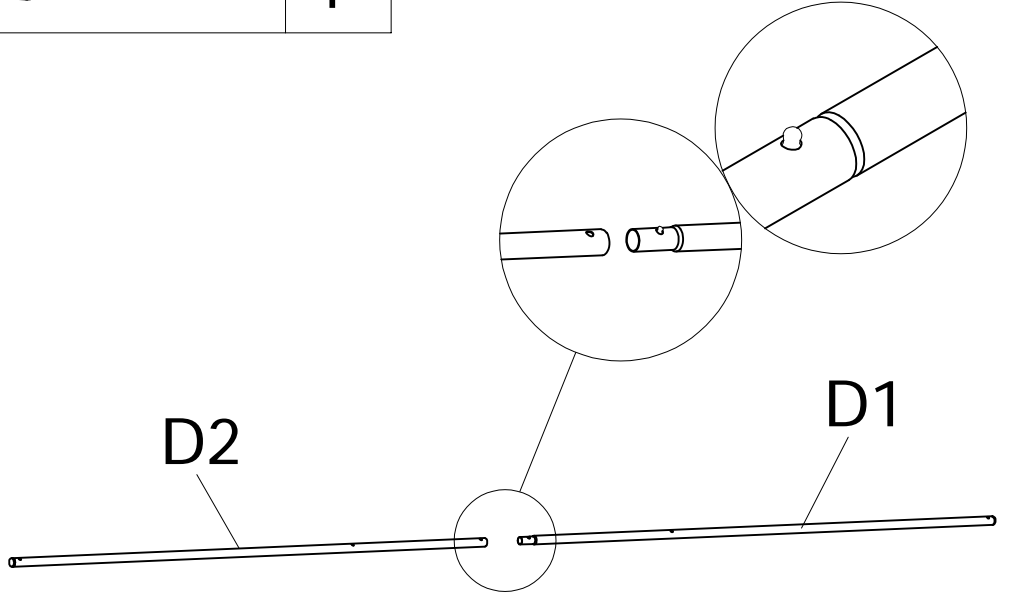
# 7

H3		M6X65	4
H4		M6	4

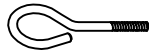



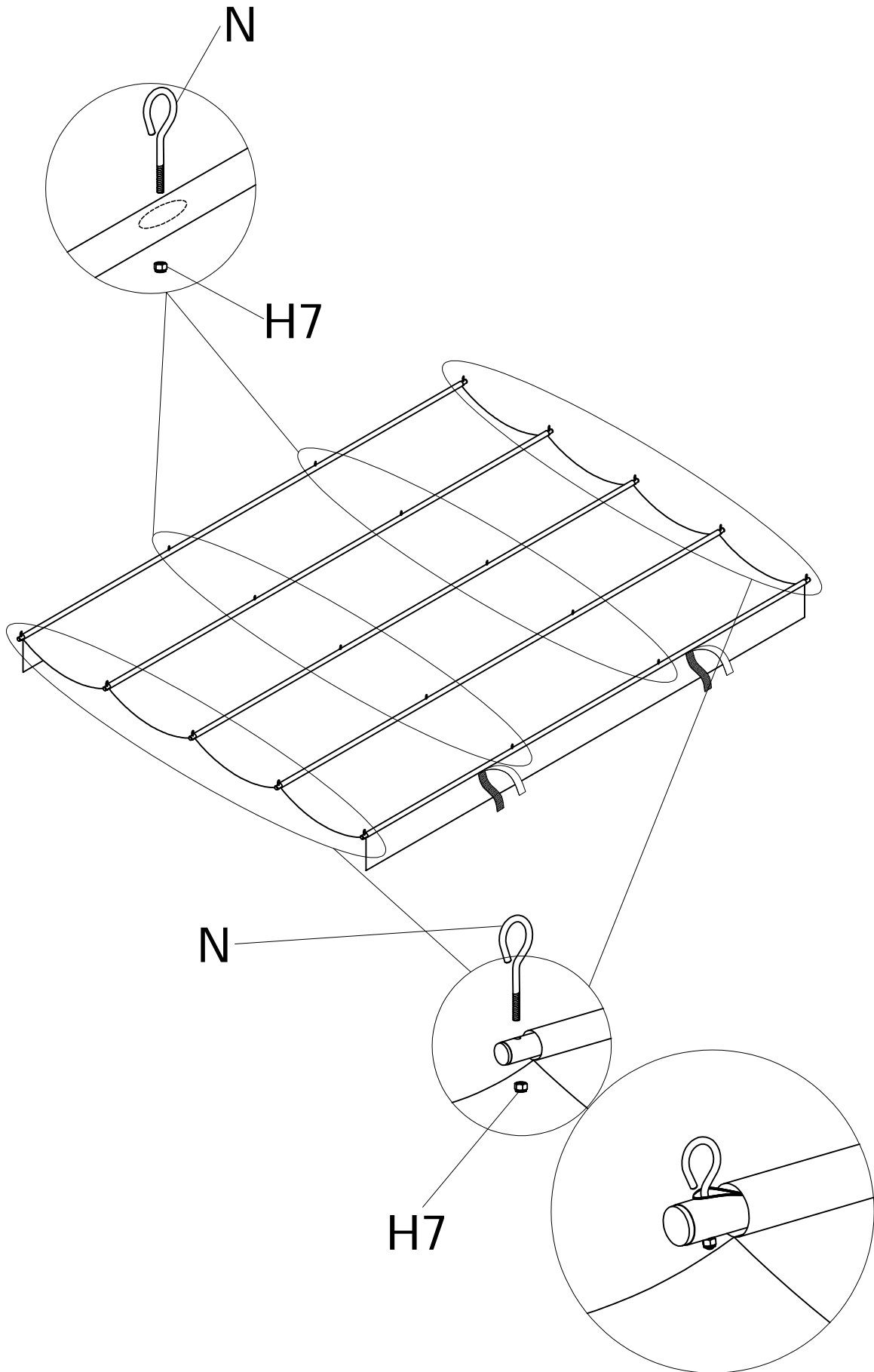
8

D2		5
D1		5
L		1

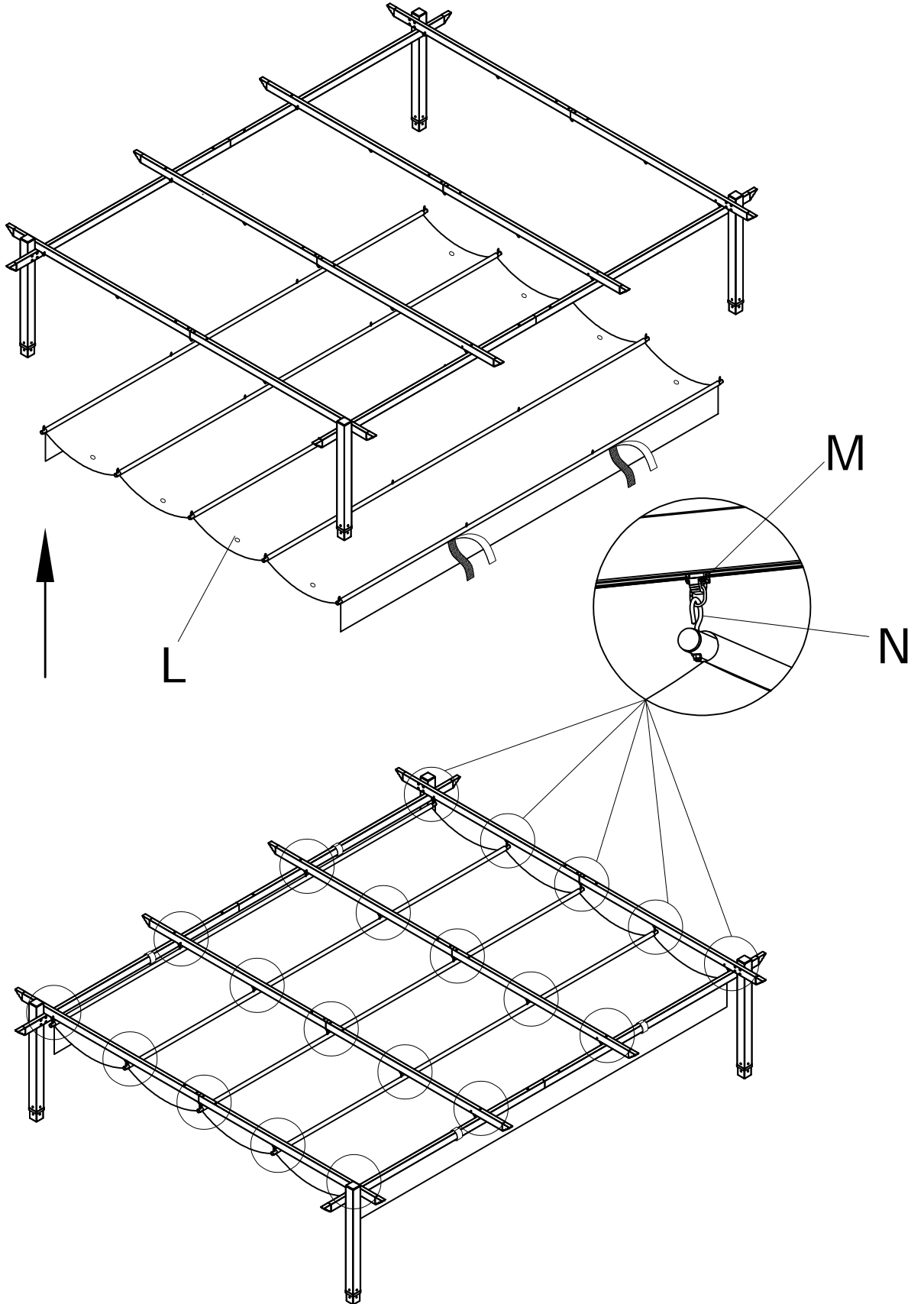


9

N			20
H7		M4	20



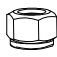


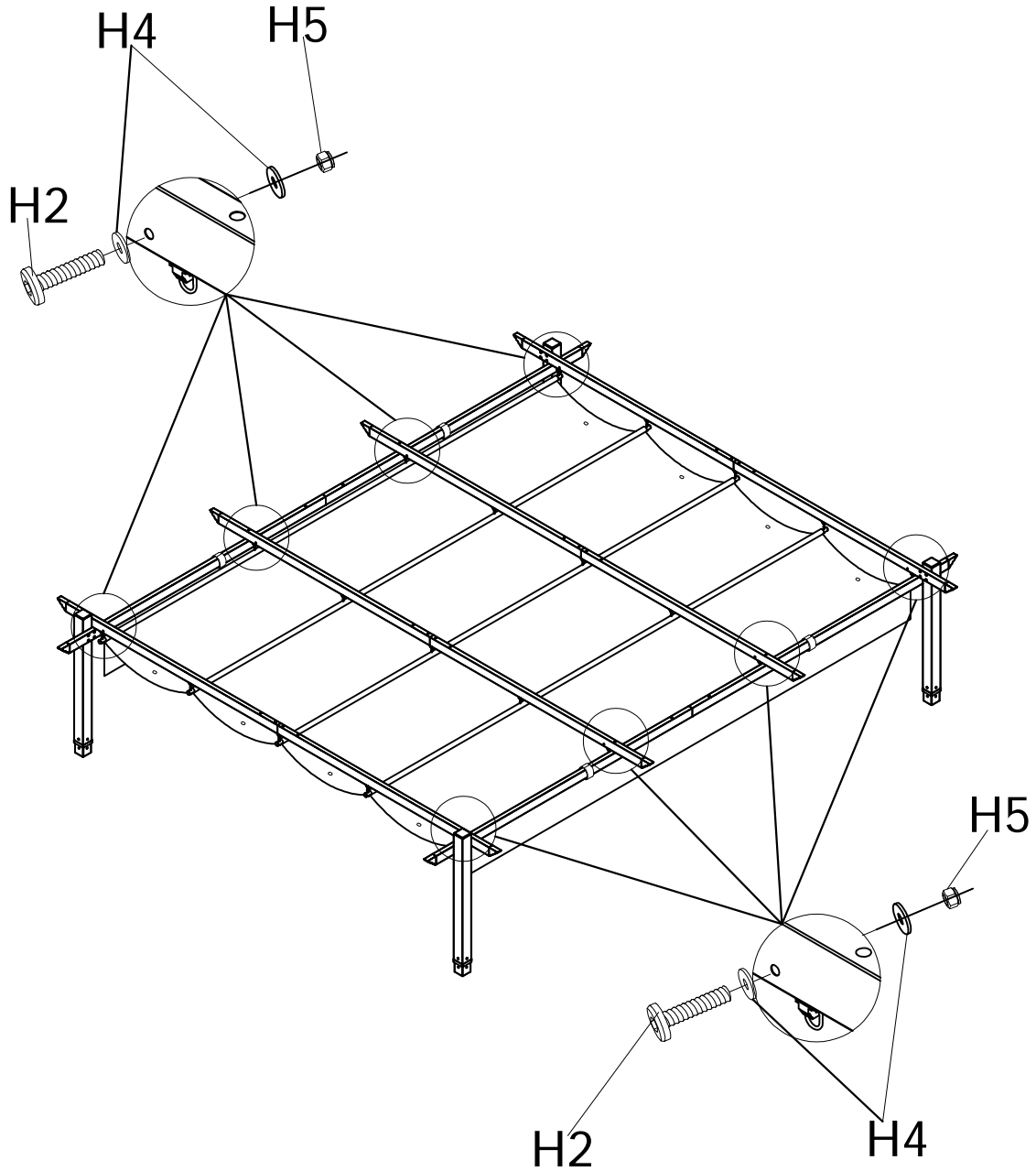
10



# 11

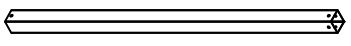

Note:  
To secure one side canopy: Tighten  
H4 screws at both ends to lock  
pulleys.  
For flexible adjustment of both  
canopies: Leave H4 screws at both  
ends loose.



H2		M6X35	8
H4		M6	16
H5		M6	8

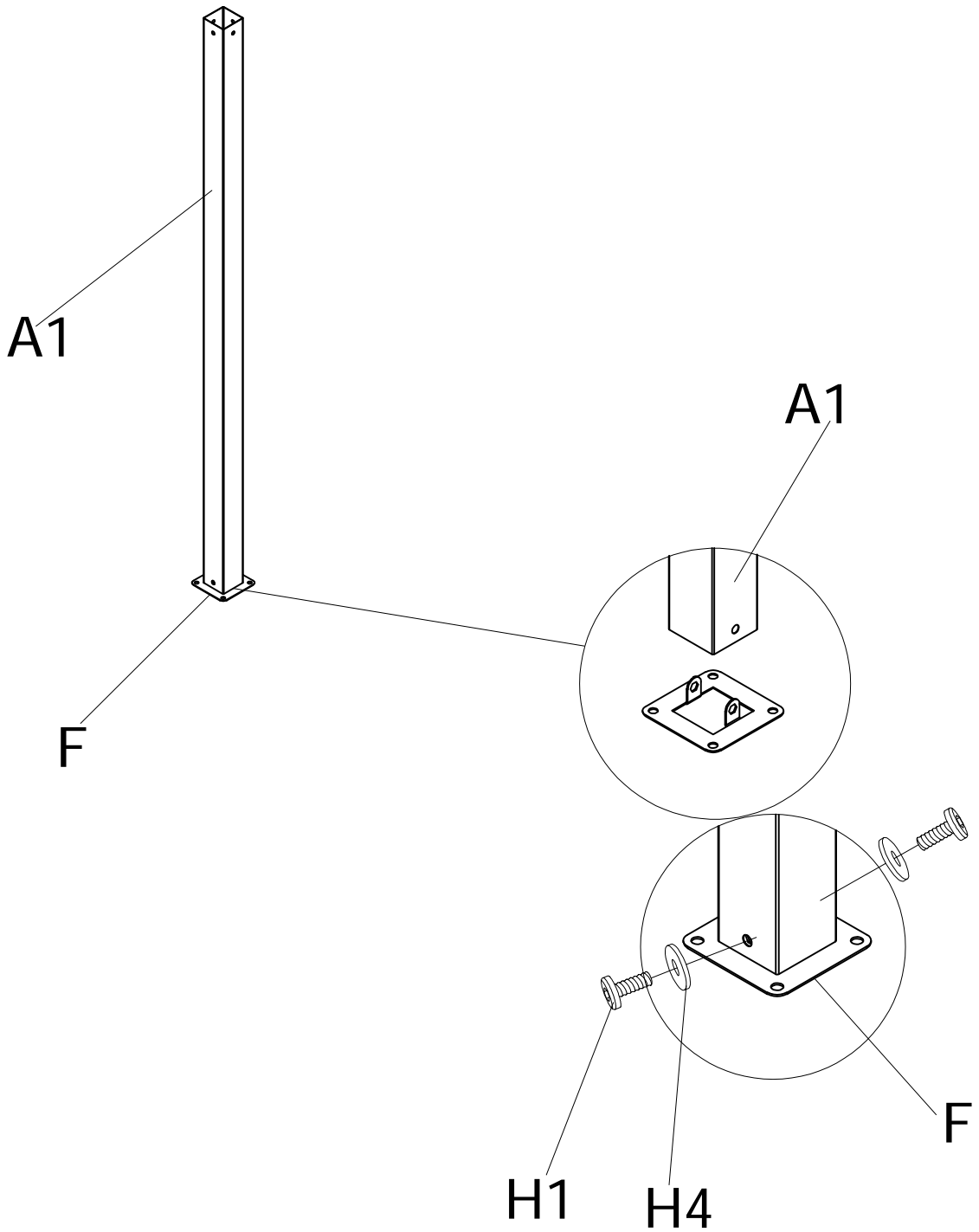


Note:  
To secure one side canopy: Tighten  
H4 screws at both ends to lock  
pulleys.  
For flexible adjustment of both  
canopies: Leave H4 screws at both  
ends loose.

# 12



A1		4
F		4

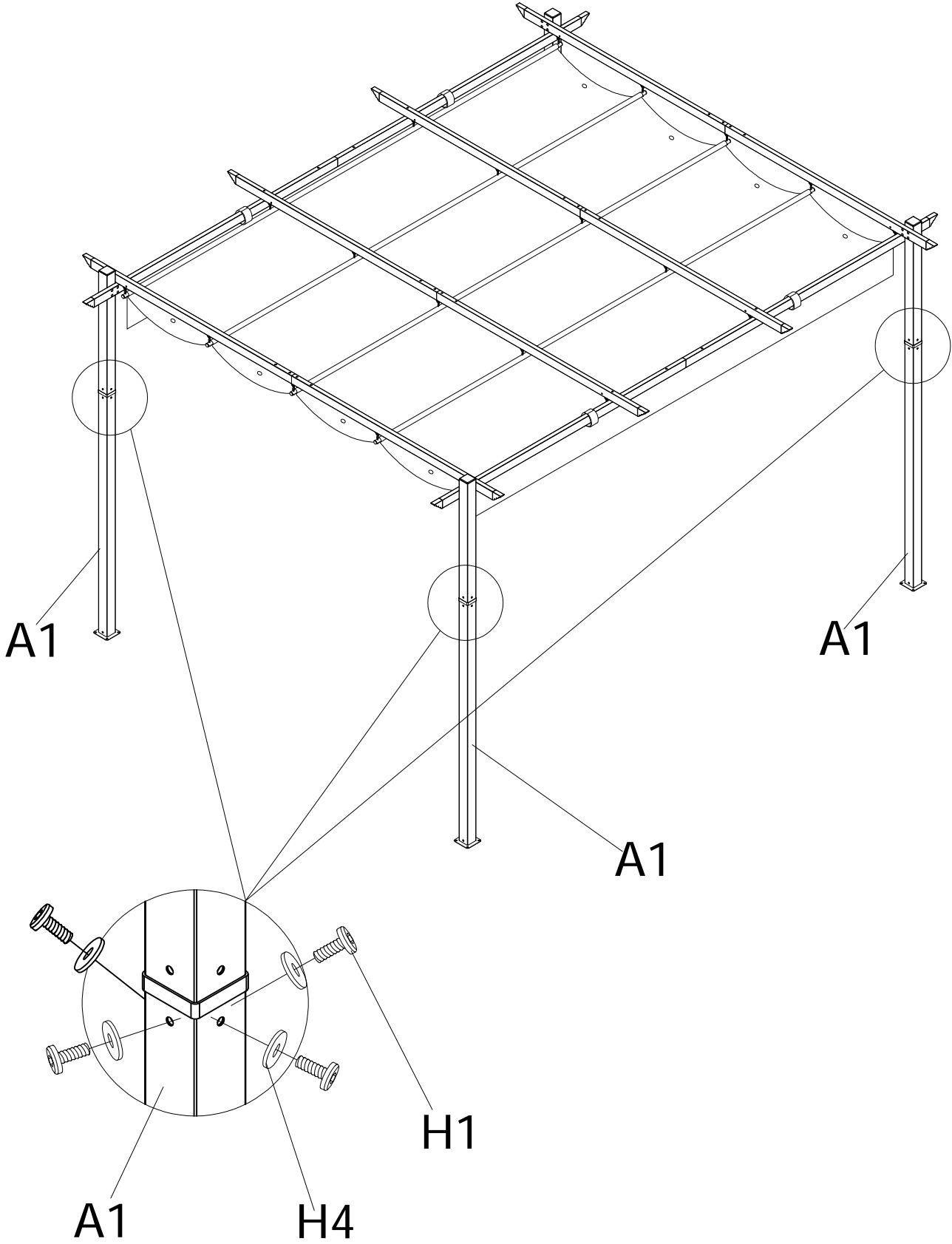
H1		M6X15	8
H4		M6	8



X4

# 13

H1		M6X15	16
H4		M6	16



HQ1		4X140	8
-----	---	-------	---

