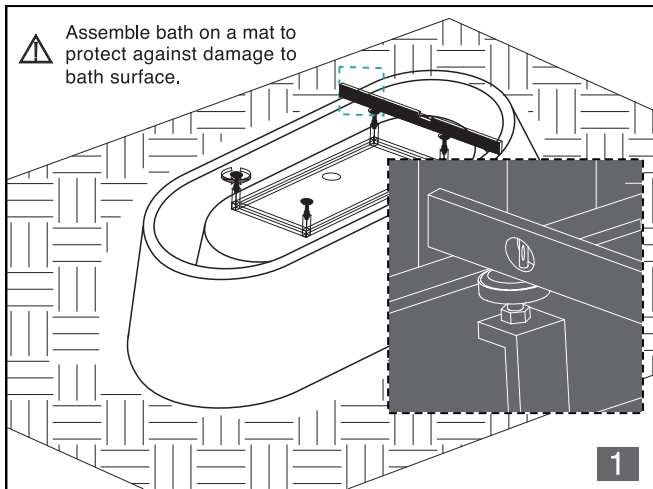
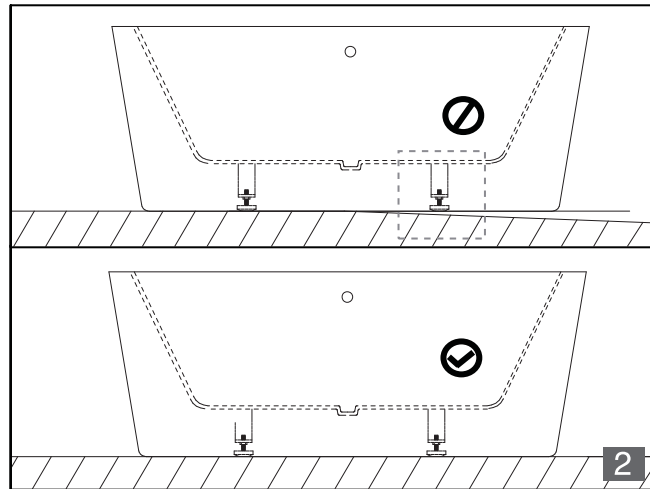


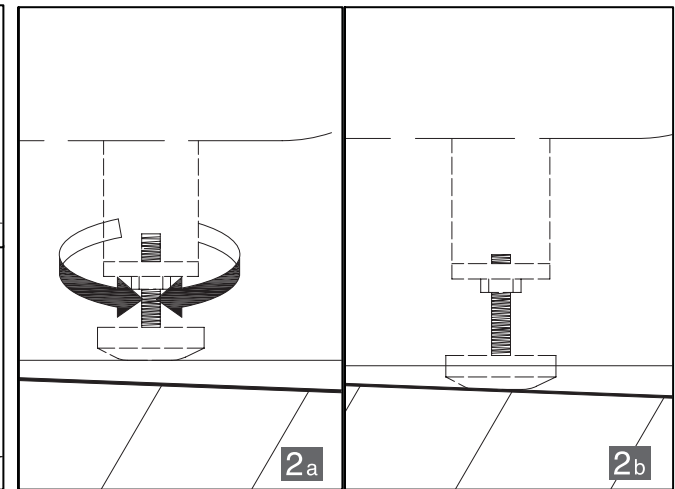
ACRYLIC BATHTUB INSTALLATION



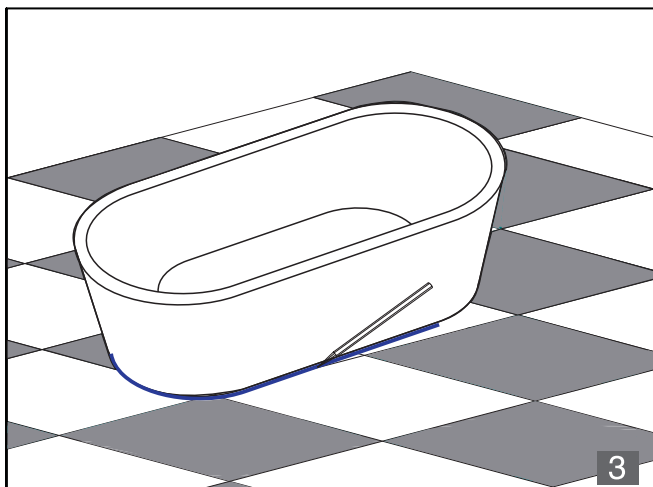
Ensure legs are adjusted in line with the base of bath.



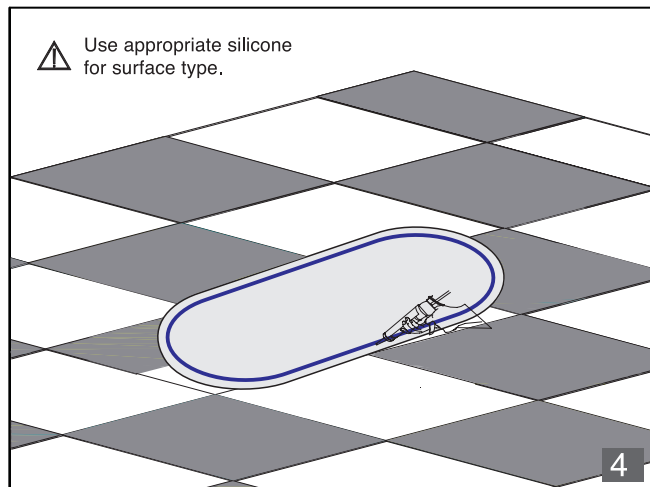
Check that bath sits flat; if required adjust legs to compensate for floor level.



Before STEP 3 set waste connection in position.

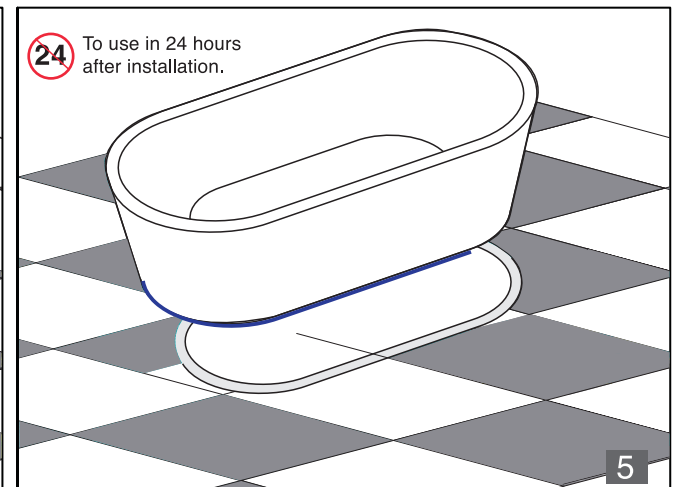


With pencil trace outline of bath.




Use appropriate silicone for surface type.

Apply a thick bead of silicone within bath outline.



24 To use in 24 hours after installation.

Set bath in final position.

 This installation guide does not include details of waste connection; final decision about installation of waste connection should be taken by a suitably qualified person.

ACRYLIC BATHTUB INSTALLATION

*Suggested skirted bath install method
Other methods be adopted pending type of installation*

