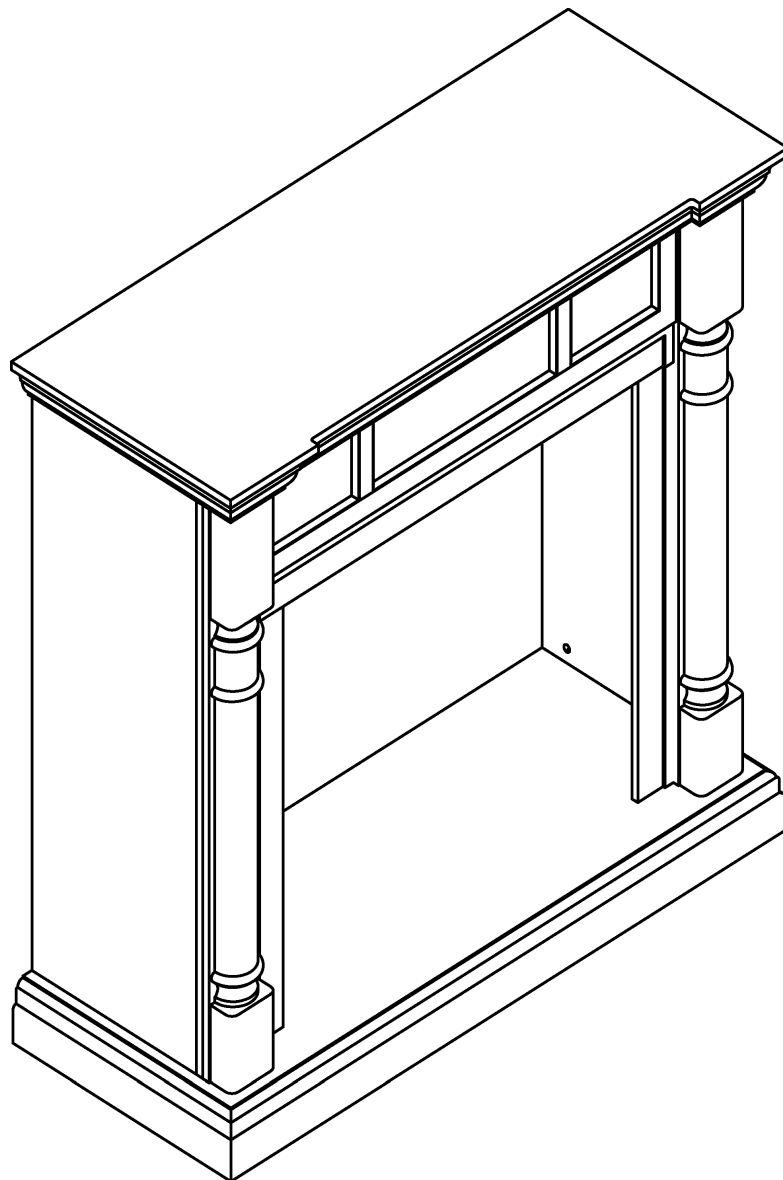


## **OWNER'S OPERATION AND INSTALLATION MANUAL**

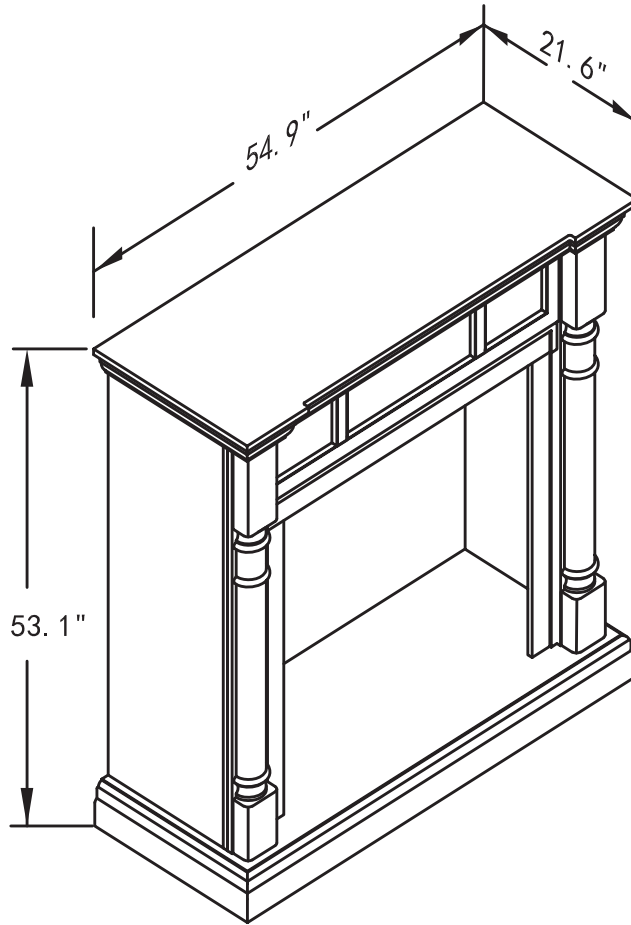
**MODELS:  
CM500-2-AW  
SKU# 170103**

**CM500-2-WN  
SKU# 170104**



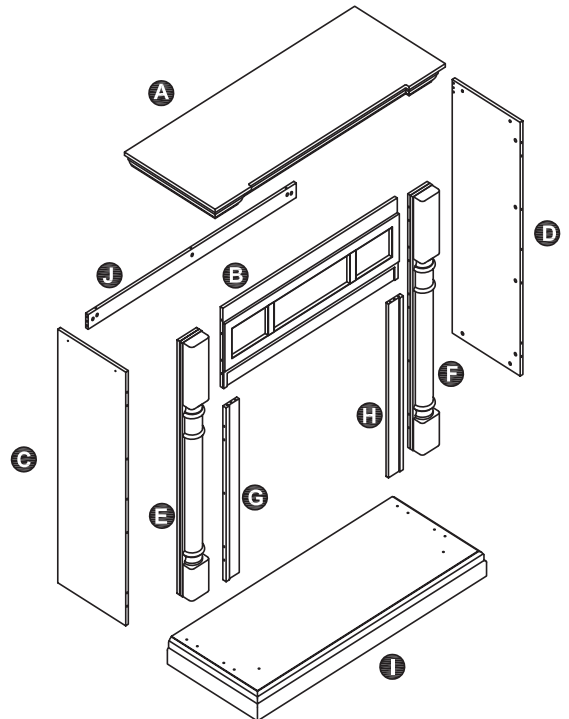
**Questions, problems, missing parts?** Before returning to your retailer, call our customer service department at 1-855-607-6557, 8:00 am - 4:30 pm CST, Monday through Friday or email [contact@factorybuysdirect.com](mailto:contact@factorybuysdirect.com)

## PRODUCT DIMENSIONS



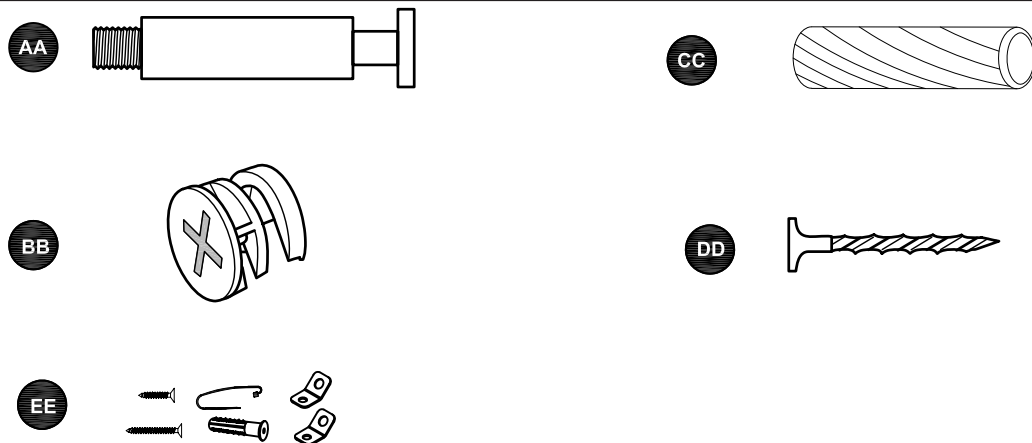
## PACKAGE CONTENTS

ITEM	PART NUMBER	DESCRIPTION	QTY
A	CM500-2-A-(AW, WN)	Top	1
B	CM500-2-B-(AW, WN)	Front Panel	1
C	CM500-2-C-(AW, WN)	Left Side Panel	1
D	CM500-2-D-(AW, WN)	Right Side Panel	1
E	CM500-2-E-(AW, WN)	Left Front Side Panel	1
F	CM500-2-F-(AW, WN)	Right Front Side Panel	1
G	CM500-2-G-(AW, WN)	Left Front Panel	1
H	CM500-2-H-(AW, WN)	Right Front Panel	1
I	CM500-2-I-(AW, WN)	Base	1
J	CM500-2-J-(AW, WN)	Back Crossbar	1



**NOTICE:** If a part is missing or damaged, do not return to the store. Please call our customer service department for replacement parts.

## HARDWARE CONTENTS



ITEM	PART NUMBER	DESCRIPTION	QTY
	CM500-2-HD	Hardware Package	1
AA	CM500-2-AA	Cam Dowel	31
BB	CM500-2-BB	Cam Lock	31
CC	CM500-2-CC	Wood Dowel	26
DD	CM500-2-DD	Wood Screw	7
EE	ATK	Anti-Tip Kit	1

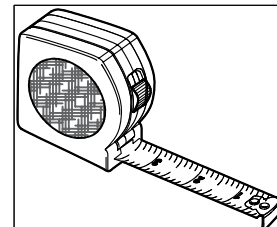
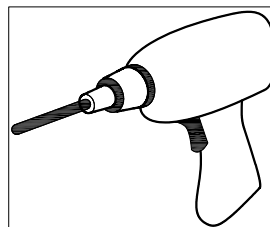
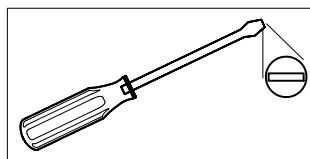
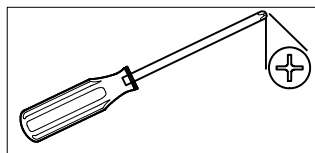
- ⚠ **WARNING:** When tightening screws, do not over tighten, this may cause threads to strip. We recommend using a hand-held screwdriver rather than a power screwdriver.
- ⚠ **WARNING:** Do not force screws into holes.
- ⚠ **CAUTION:** If baseboards are installed where the fireplace is intended to be displayed, the fireplace will not fit flush against the wall. For a proper flush fit, it may be necessary to remove part of the baseboard mold.

## PREPERATION

Before beginning assembly, make sure all hardware contents are present. Compare parts list with package contents list and diagram on page 2 and 3. If any part is missing or damaged, do not attempt to assemble the product. Contact our customer service department for replacement parts.

Estimated Assembly Time: 60 minutes

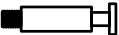

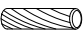
Tools Required For Assembly: Phillips Screwdriver, Flathead Screwdriver, Drill, and Tape Measure

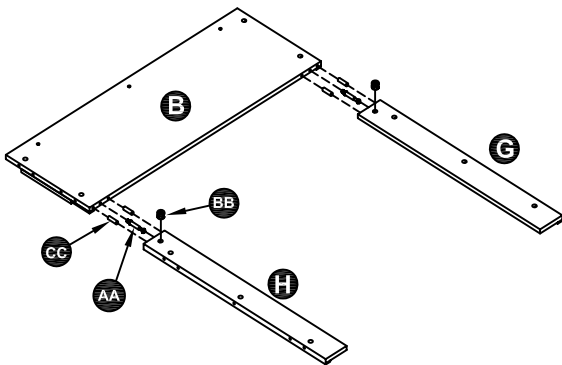


# ASSEMBLY INSTRUCTIONS

1. Insert the cam lock (BB) into the left front Across panel (G), and then Right front Across panel (H). Screw in the cam Dowels (AA) Panel (B). Insert wood dowels (CC) into panel (B) Fix it by tightening the cam, as shown in Figure 1.

**Hardware Used**

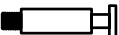

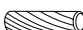
- AA** 2) Cam Dowel 
- BB** 2) Cam Lock 
- CC** 4) Wood dowel Ø8\*30mm 

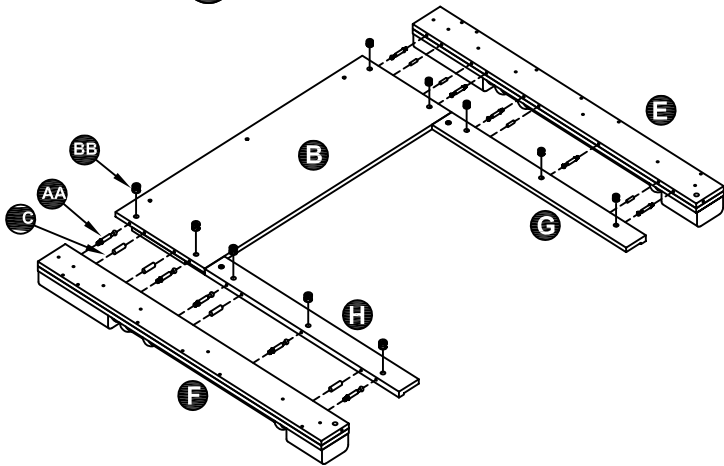


**Figure 1**

2. Insert the cam Locks (BB) and the wood Dowels (CC) separately Left front across panel (G) and right front Across panel (H) And panel (B). Screw in the cam Dowels (AA) Right front side panel (F) and left front side panel (E). Additional Right Side Front side panel (F) and left front side panel (E) Secure it by tightening the cam Locks (BB) As shown in Figure 2.

**Hardware Used**

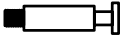


- AA** 10) Cam Dowel 
- BB** 10) Cam Lock 
- CC** 8) Wood dowel Ø8\*30mm 

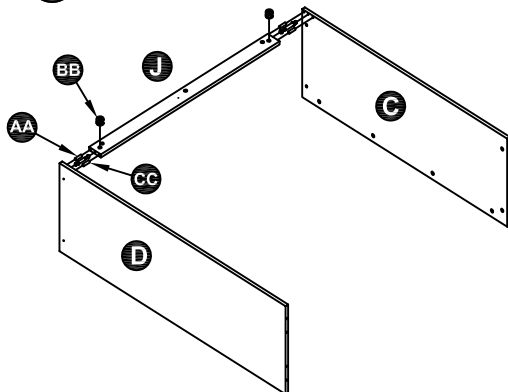


**Figure 2**

3. Insert the cam Locks (BB) and wood Dowels (CC) into the rear crossbar (J) respectively. Move the camScrew the Cam Dowels (AA) into the left side panel (C) and right side panel (D).Secure it by tightening the cam Locks (BB), as shown in Figure 3.

**Hardware Used**

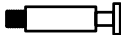


- AA** 2) Cam Dowel 
- BB** 2) Cam Lock 
- CC** 4) Wood dowel Ø8\*30mm 

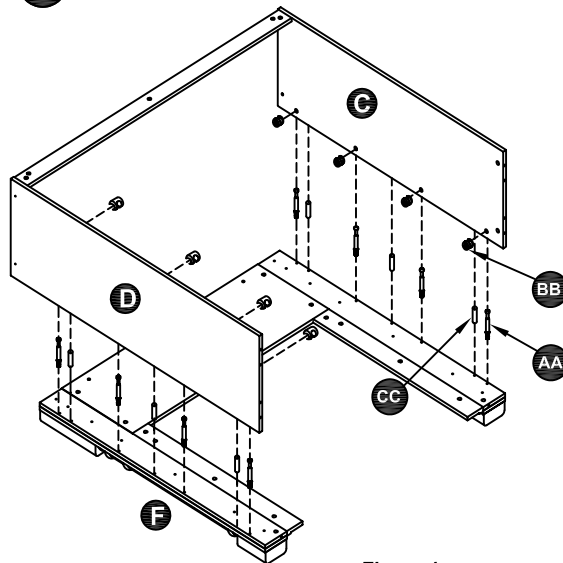


**Figure 3**

4. Insert the cam Locks (BB) into the left side panel (C), and then Right side panel (D). Screw in the Cam Dowels (AA) Left front side panel (E) and right front side panel (F). Insert the wood Dowels (CC) into the left front side panel (E) and right front side panel (F) Fix it by tightening the cam, as shown in Figure 4.

**Hardware Used**

- AA** 8) Cam Dowel 
- BB** 8) Cam Lock 
- CC** 6) Wood dowel Ø8\*30mm 

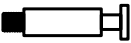




**Figure 4**

## ASSEMBLY INSTRUCTIONS

5. First, flip the previously assembled frame and insert the cam Locks (BB) and wood Dowels (CC) into the left side panel (C) and right side panel (D), respectively. Screw the cam Dowels (AA) into the base plate (I). Secure it by tightening the cam Locks (BB), as shown in Figure 5.

### Hardware Used

- AA** 6) Cam Dowel 
- BB** 6) Cam Lock 
- CC** 4) Wood dowel Ø8\*30mm 

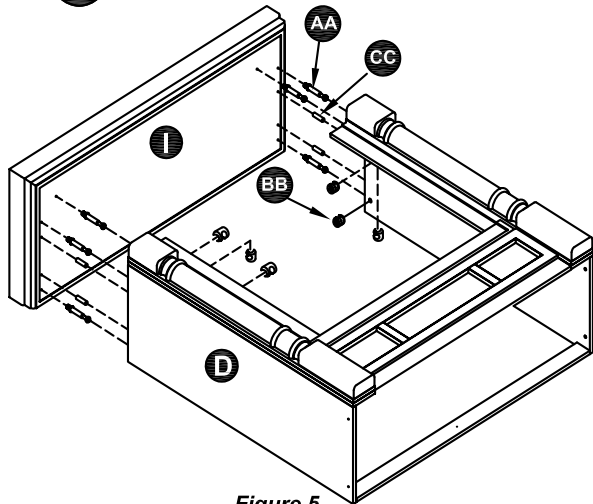
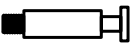



Figure 5

6. Flip the previously assembled frame and insert the cam Locks (BB) into the Back crossbar (J). Screw the cam Dowels (AA) into the Top (A). Secure it by tightening the cam Locks (BB), as shown in Figure 6.

### Hardware Used

- AA** 3) Cam Dowel 
- BB** 3) Cam Lock 

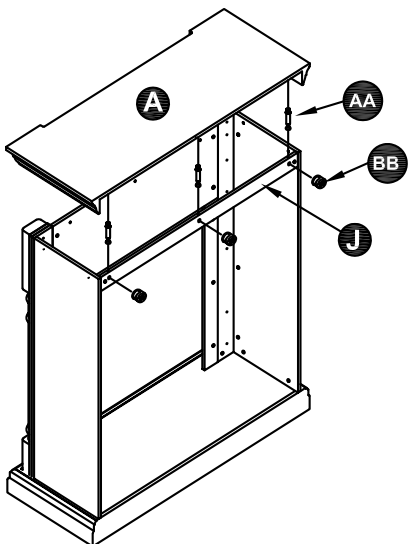



Figure 6

7. Flip the previously assembled frame over and secure it by tightening the screws (DD), as shown in Figure 7.

### Hardware Used

- DD** 7) Screw 1" 

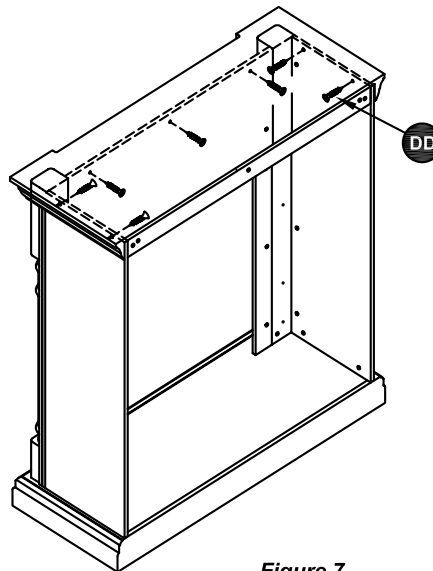


Figure 7

8. Install Anti Tip Kit (EE), as shown in Figure 8.

### Hardware Used

- EE** Anti Tip Kit 

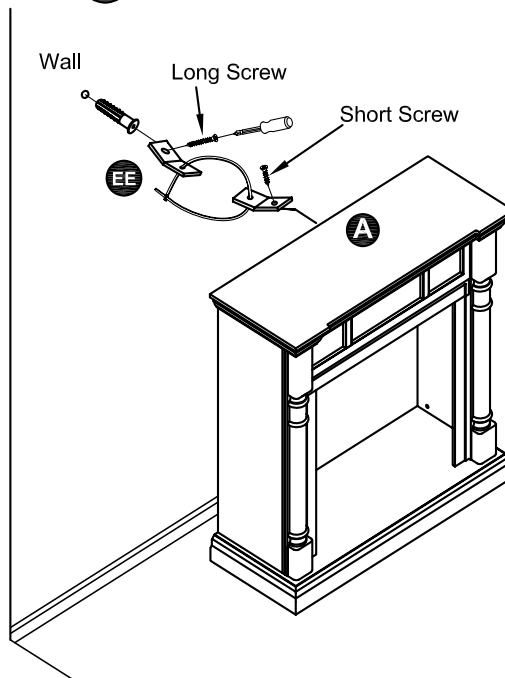


Figure 8

---

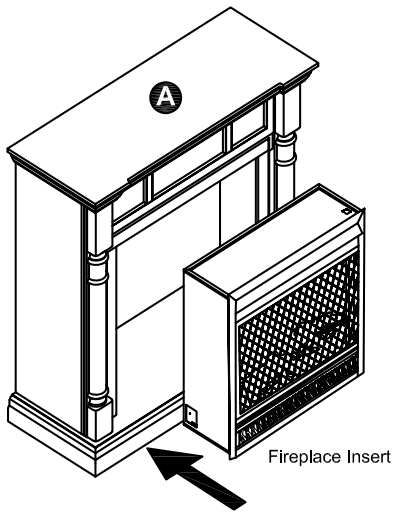
---

## ASSEMBLY INSTRUCTIONS

---

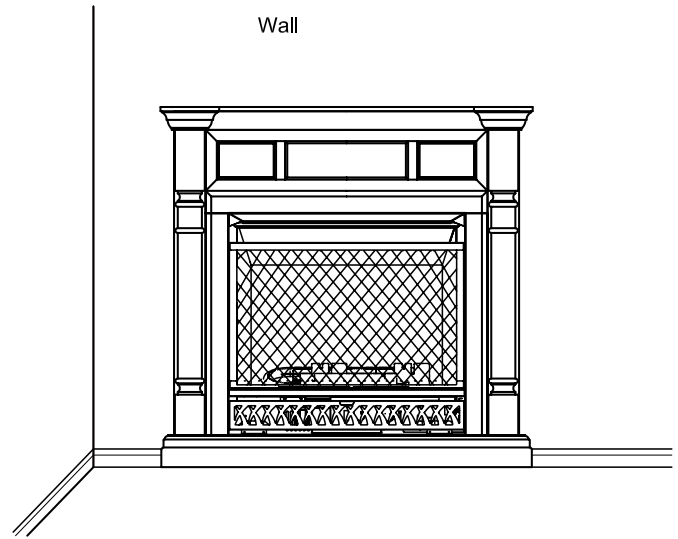
---

9. After assembling the mantel, lift to the upright position. Carefully push the fireplace insert from the front of the mantel, as shown in Figure 9.



**Figure 9**

10. Position the fireplace to the desired location as shown in Figure 10.



**Figure 10**

**THIS PAGE INTENTIONALLY LEFT BLANK**

---

---

## WARRANTY

---

---

### KEEP THIS WARRANTY

Model \_\_\_\_\_

Serial No. \_\_\_\_\_

Date Purchased \_\_\_\_\_

Keep receipt for warranty verification.

**Register your product at [www.FactoryBuysDirect.com](http://www.FactoryBuysDirect.com)**

### FACTORY BUYS DIRECT LIMITED WARRANTIES

#### New Products

**Standard Warranty:** Factory Buys Direct warrants this new product and any parts thereof to be free from defects in material and workmanship for a period of one (1) year from the date of first purchase from an authorized dealer provided the product has been installed, maintained and operated in accordance with Factory Buys Direct's warnings and instructions. For products purchased for commercial, industrial or rental usage, this warranty is limited to 90 days from the date of first purchase.

#### Factory Reconditioned Products

**Limited Warranty:** Factory Buys Direct warrants factory reconditioned products and any parts thereof to be free from defects in material and workmanship for a period 30 days from the date of first purchase from an authorized dealer provided the product has been installed, maintained and operated in accordance with Factory Buys Direct's warnings and instructions. No return will be authorized. Parts will be provided to repair the product.

#### Terms Common to All Warranties

The following terms apply to all of the above warranties:

Always specify model number and serial number when contacting the manufacturer. To make a claim under this warranty, the bill of sale or other proof of purchase must be presented.

This warranty is extended only to the original retail purchaser when purchased from an authorized dealer, and only when installed by a qualified installer in accordance with all local codes and instructions furnished with this product.

This warranty covers the cost of part(s) required to restore this product to proper operating condition and an allowance for labor when provided by a Factory Buys Direct Authorized Service Center or a provider approved by Factory Buys Direct. Warranty parts must be obtained through authorized dealers of this product and/or Factory Buys Direct who will provide original factory replacement parts. Failure to use original factory replacement parts will void this warranty.

Traveling, handling, transportation, diagnostic, material, labor and incidental costs associated with warranty repairs, unless expressly covered by this warranty, are not reimbursable under this warranty and are the responsibility of the owner.

Excluded from this warranty are products or parts that fail or become damaged due to misuse, accidents, improper installation, lack of proper maintenance, tampering or alteration(s).

This is Factory Buys Direct's exclusive warranty, and to the full extent allowed by law; this express warranty excludes any and all other warranties, express or implied, written or verbal and limits the duration of any and all implied warranties, including warranties of merchantability and fitness for a particular purpose to one (1) year on new products and 30 days on factory reconditioned products from the date of first purchase.

Factory Buys Direct makes no other warranties regarding this product.

Factory Buys Direct's liability is limited to the purchase price of the product and Factory Buys Direct shall not be liable for any other damages whatsoever under any circumstances including direct, indirect, incidental, or consequential damages.

Some states do not allow limitations on how long an implied warranty lasts or the exclusion or limitation of incidental or consequential damages, so the above limitation or exclusion may not apply to you.

This warranty gives you specific legal rights, and you may also have other rights which vary from state to state.



Factory Buys Direct  
2701 Industrial Drive  
Bowling Green, KY 42101  
1-855-607-6557

[www.factorybuysdirect.com](http://www.factorybuysdirect.com)

200591-01  
Rev. A  
06/24

200591-01A