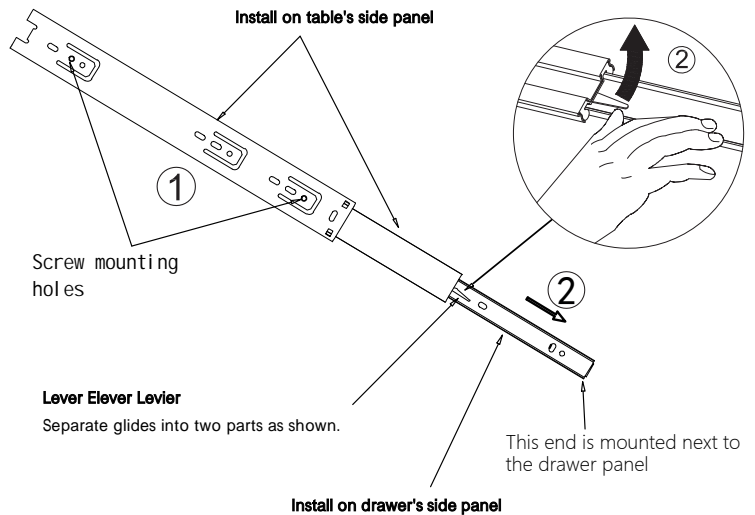


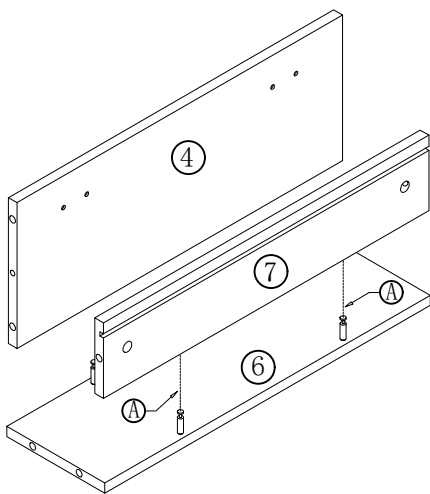
- | | | | | | |
|--------|--------|--------|--------|--------|--------|
| ① 1 PC | ② 1 PC | ③ 1 PC | ④ 1 PC | ⑤ 1 PC | ⑥ 1 PC |
| ⑦ 1 PC | ⑧ 1 PC | ⑨ 1 PC | ⑩ 2 PC | ⑫ 1 PC | ⑬ 1 PC |
| ⑭ 1 PC | ⑮ 1 PC | ⑯ 1 PC | ⑰ 1 PC | ⑱ 1 PC | ⑳ 2 PC |
| ㉑ 2 PC | ㉒ 1 PC | ㉓ 1 PC | ㉔ 1 PC | ㉕ 1 PC | ㉖ 2 PC |
| ㉗ 1 PC | ㉘ 1 PC | ㉙ 1 PC | ㉚ 1 PC | ㉛ 1 PC | ㉜ 1 PC |

No.	A	B	C	D	E	F	G	H	I	J
Size	φ12/L=40	φ6*40		10"	φ8*18	φ3.5*12	φ3.5*14	φ3.5*35		
Qty	51	4	2	3	4	35	14	13	2	10

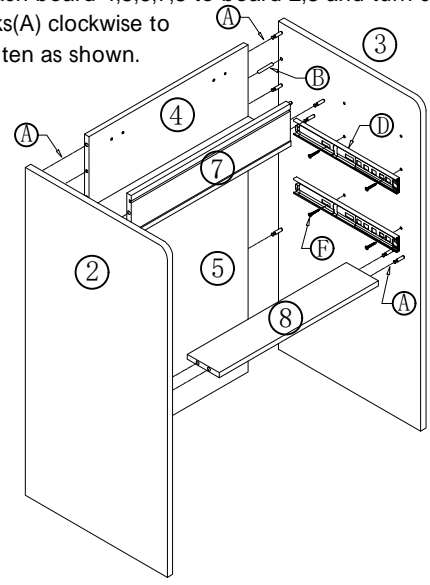
Slides Must Be Separated Before Assembly.
After Separated, Set Aside Until Needed for Assembly.



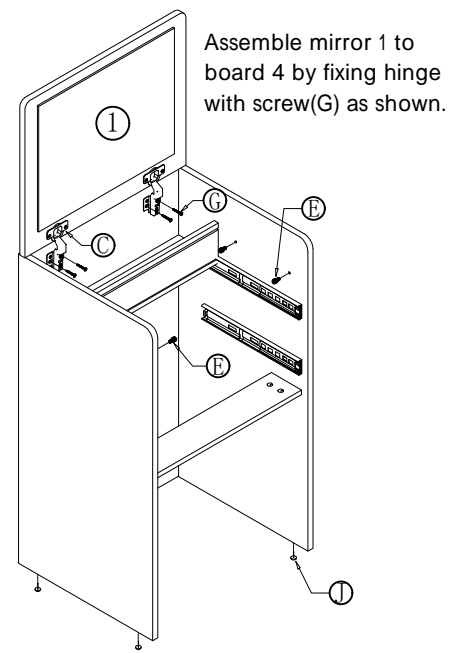
Attach board 6 to board 4,7 and turn cam locks(A) clockwise to tighten as shown.



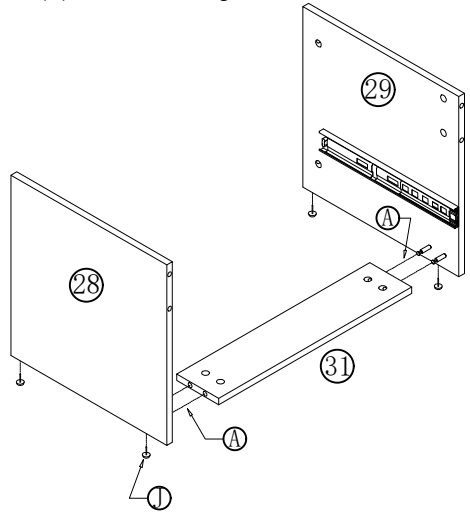
Fix slide rail(D) to board 2,3 with screw(F) as shown.
Attach board 4,5,6,7,8 to board 2,3 and turn cam locks(A) clockwise to tighten as shown.



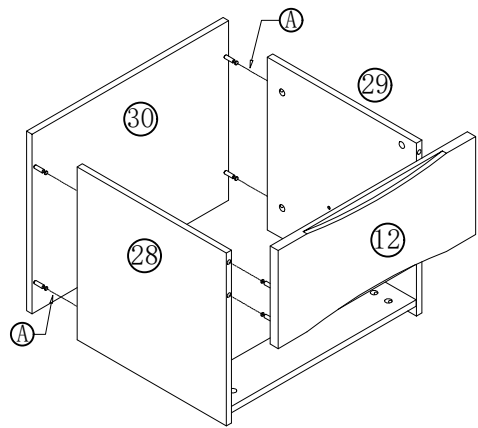
Knock peg(J) into the bottom as shown.



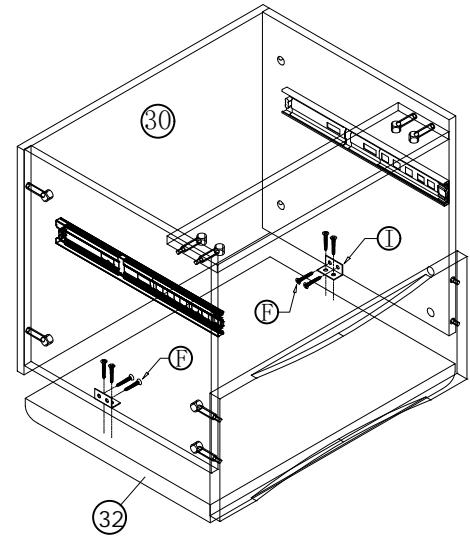
Knock peg(J) into the bottom as shown.
Fix slide rail(D) to board 28,29 with screw(F) as shown.
Attach board 31 to board 28,29 and turn cam locks(A) clockwise to tighten as shown.



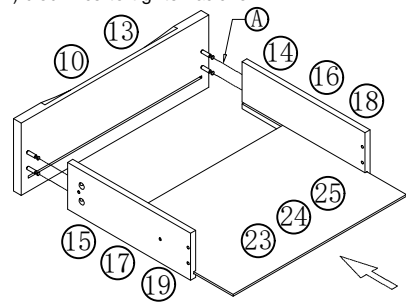
Attach board 12,30 to board 28,29 and turn cam locks(A) clockwise to tighten as shown.



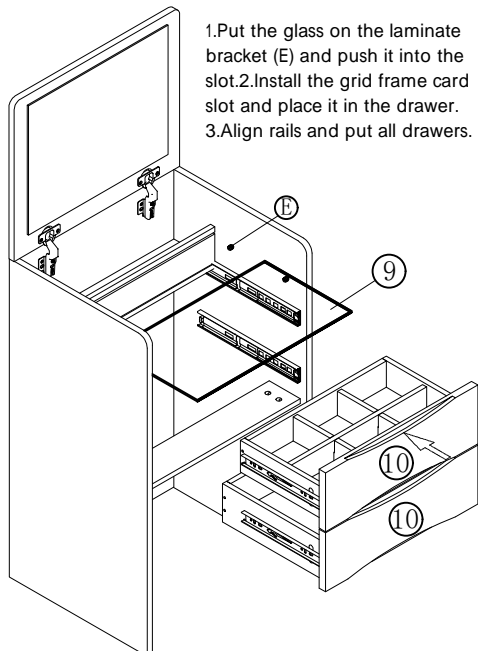
Attach board 32 to stool top and fix corner code(l) to it with screw(F) as shown.



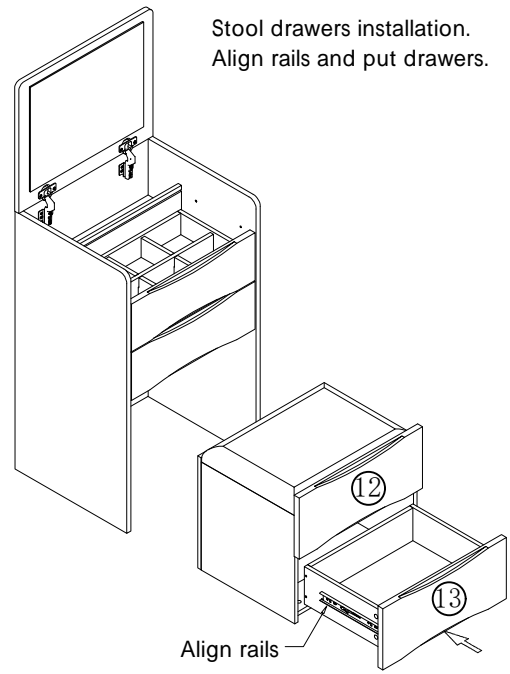
Attach board 10/13 to board 15,17,19,14,16,18 and turn cam locks(A) clockwise to tighten as shown.



Glass shelf and drawers installation.



Stool drawers installation.
Align rails and put drawers.



Fix board 20,22 with screw(H) as shown.

