
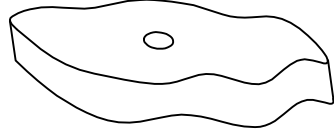
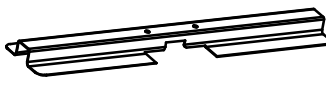
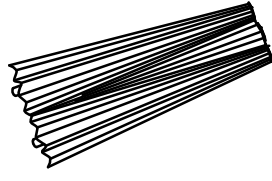
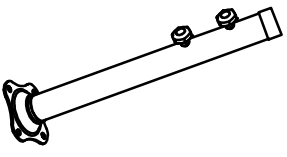






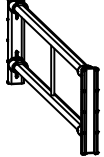
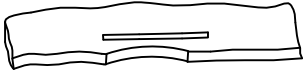


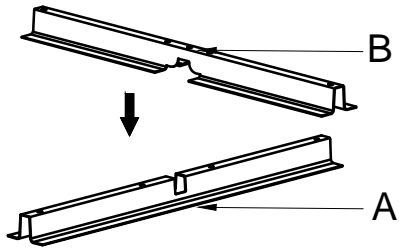



After-sales service:
contactus24service@gmail.com
(303) 747-4321

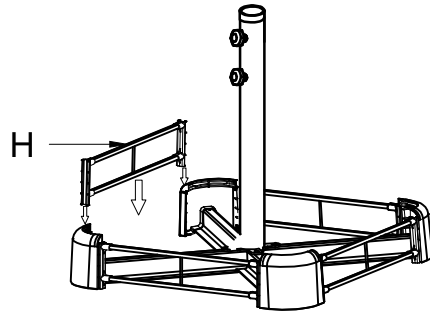
	A	1		K	1
	B	1		L	1
	C	1		M	1
	D	4		N	3
	E	4			
	F	1			
	G	4			
	H	4			
	J	2			

	Ax1
	Bx1

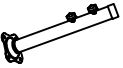





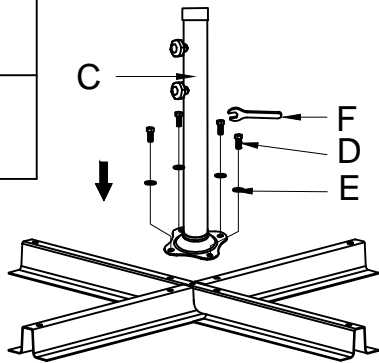
STEP1:

	Hx4
---	-----



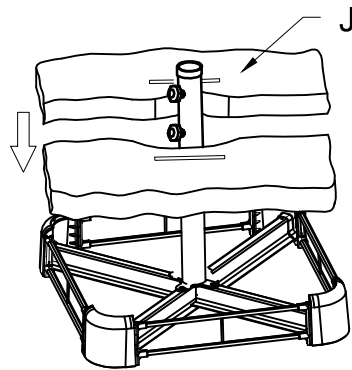
STEP4:

	Cx1
	Dx4
	Ex4
	Fx1




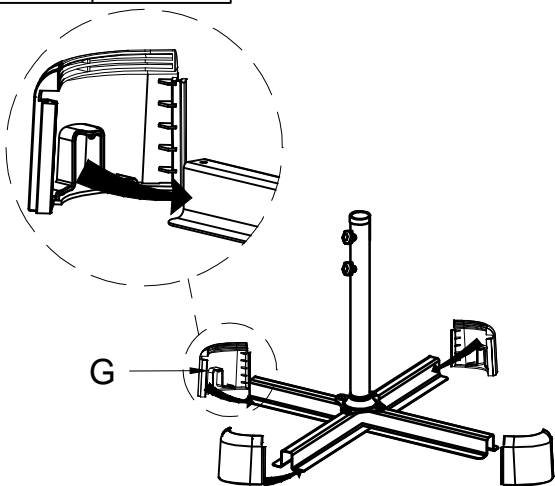
STEP2:

	Jx2
---	-----

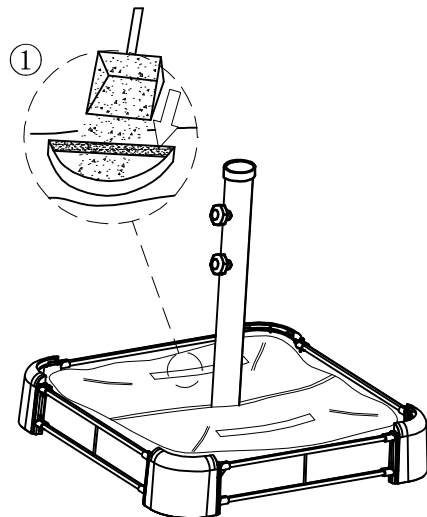


STEP5:

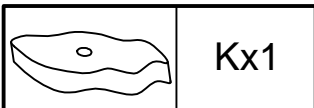
	Gx4
---	-----



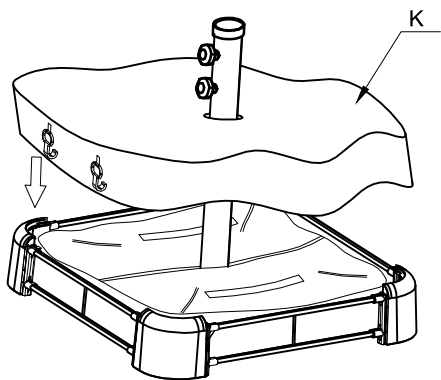
STEP3:



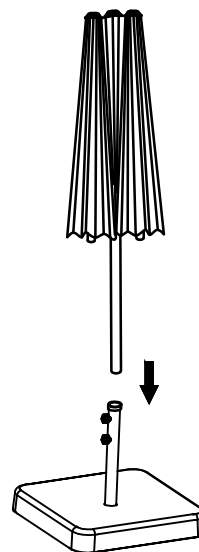
STEP6:



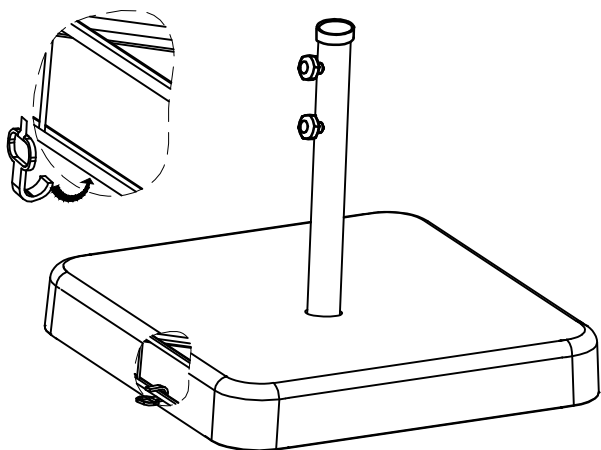
Kx1



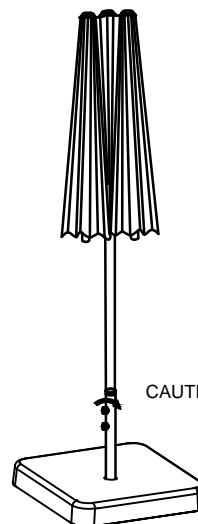
STEP 7:



STEP 10:

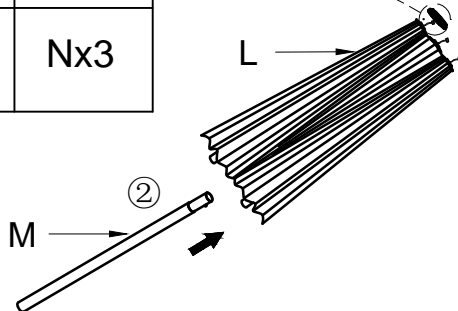
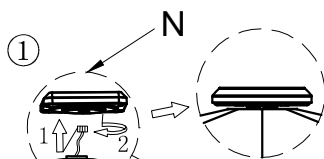
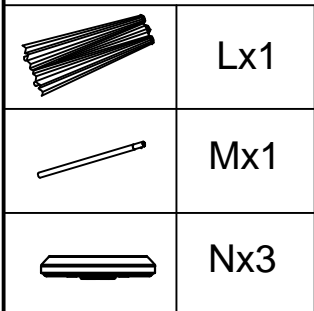


STEP 8:

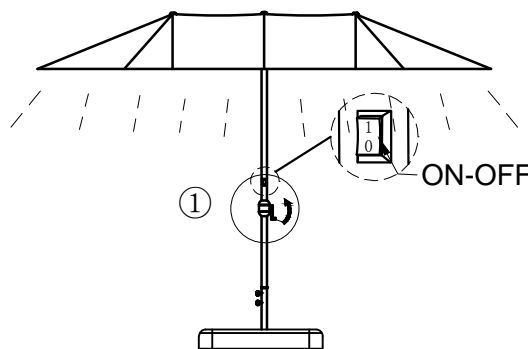


CAUTION: Fully tighten the two bolts.

STEP 11:



STEP 9:



STEP 12: