



Please do not return this product to the retailer!!!
If you find that you have any trouble with assembly or missing or
damaged parts please contact us

LIMITED MANUFACTURERS WARRANTY

USE & CARE INSTRUCTIONS

Please read Use & Care Instructions in its entirety prior to assembling and utilizing

KEEPING YOUR FURNITURE BEAUTIFUL

Quality furniture is a significant investment expected to last for years on end. To maintain its beauty and help it last, furniture needs the right care. No finish is totally indestructible. But with regular care, the finish and materials will last much longer, providing years of enjoyment.

Tips to Protect and Care for Your Furniture

1. Avoid placing your furniture in direct sunlight, as sunlight causes fading.
2. Avoid extreme changes in temperature by arranging furniture away from radiators, heat and air vents and air conditioning units.
3. Avoid placing plastic or rubber materials (lamp bases, notebooks, placemats, etc.) on your furniture, as certain plastics contain ingredients that may damage the finish.
4. Periodically rotate accessories on furniture so they do not sit in the same spot all the time.
5. Use pads, cloth or felt to protect the furniture surface from plastic, rubber, hot dishes, beverages, bookends, flowerpots and vases.
6. Clean up spills immediately. Use a blotting rather than a wiping action. Water left over a long period of time will cause white spots in the finish. Alcohol, perfume, after-shave and medications can cause severe finish damage.
7. Use a protective pad when writing on the furniture surface.
8. Lift and place objects rather than dragging them across the furniture surface.
9. Avoid placing furniture directly under windows.

Wood Furniture Care: We recommend dusting frequently with a clean, soft, dry, lint-free cloth. Clean the surface by rubbing in the direction of the grain. We recommend polishing your furniture approximately every six months, using a clean, soft, lint-free cloth and rubbing the polish in the direction of the grain. Guardzman Furniture Polish © or any furniture polish that doesn't contain silicone is recommended.

Leather Furniture Care: Wipe spills immediately with clean cloth or sponge. For spots or stains and daily cleaning, clean with mild non-detergent soap. Rinse well, gently wipe off, and allow to air dry. Cleaning Butter, Oil or Grease for Leather: Wipe leather with a clean cloth, and leave alone. The oil will be absorbed by the leather. DO NOT APPLY WATER. Also, do not use saddle soap, cleaning solvents, furniture polish, oils, varnish, abrasive cleaners, ammonia or any other type of chemical solution.

Granite Care: Our granite is not sealed, so you may want to apply an over-the-counter sealant, which will provide a small amount of surface protection, but we still recommend cleaning spills promptly. Use a slightly damp cloth to clean as needed. Wipe dry. We also do not recommend using abrasive cleaners, chemical solvents, strong detergents, cleaners with bleach, and furniture polish. Be sure to use trivets, coasters, placemats, and adhesive felt pads to help prevent scratches.

Butcher Block Care: For best results, clean finished butcher block surfaces with soapy water or commonly available kitchen counter top cleaners. Do not use abrasives or powder cleansers. Do not allow moisture to stand on the surface for prolonged periods of time. To sanitize, rinse the butcher block with white vinegar by using a vinegar-water solution in a spray bottle. Spritz the butcher block all over, and let it sit for a while. While that sits, make a lemon salt mixture by pouring about 1/4 cup salt into a bowl, and stir in enough lemon juice to make a workable paste, adjusting the consistency as you go. Then use a scrub brush to thoroughly scrub your butcher block with the lemon-salt paste. If the paste gets too dry, sprinkle on a little more lemon juice. Rinse well, and squeegee off as much water as you can, and then let it dry overnight. Make sure to seal it before you get it dirty again. Pour out a small amount of oil, and rub it into the wood using a cloth or paper towel. As the oil soaks in, add more and continue rubbing and polishing with the grain until the oil is absorbed. The first time you seal your butcher block, it may take several applications before it stops "drinking" oil, but in later cleanings you'll just need to refresh it. Keep adding oil until no more soaks in, remove any excess with a cloth.

Stainless Steel Care: Stainless Steel tops should always arrive unblemished. Depending on usage, overtime you will begin to notice that your stainless steel may develop a sheen (often light bronze or copper green in color). This is called a

'patina' and is completely normal. This is the distressed and vintage look of metals from the natural process of oxidation, regular use, and exposure to environment. It will vary depending on these factors and is not a defect of the material. To clean, avoid using harsh abrasives unless absolutely necessary as this will lead to excessive scratching of the surface. Generally a solution of vinegar and water or household streak free window cleaner is sufficient along with a soft cloth or paper towel. Spray your top lightly with vinegar/water or window cleaner and rub in the direction of the grain of the metal finish until clean.

Resin Wicker Furniture Care: Regular cleaning is recommended for wicker, as it generally cannot endure harsh or abrasive treatments. This also minimizes mildew buildup. To remove dirt and debris, vacuum with a dust-brush attachment or use a dry paintbrush. Clean with a mild soap solution. Scrub, and rinse. Avoid sitting on the wicker when still damp, which can cause wicker to sag. Please always cover the furniture when not in use, and store properly during inclement weather and the winter/rainy seasons. If wicker furniture is caught during a sudden rain storm, please make sure to drain any water that may have accumulated inside the frame.

Metal Furniture Care: Because most metals, except aluminum, are subject to rust, metal furniture is usually finished with layers of clear varnish, paint, or a durable powder coating. Use a mild soap solution, and scrub, rinse, and dry. Do not use products such as Brasso © as this may lead to the accidental removal of antique finishes and also to staining or damage to surrounding areas of fabric (IE Bed Buttons). On outdoor furniture, make sure to drain any water that may accumulate inside the frames after rinsing. After cleaning, apply a coat of quality liquid or paste auto wax with a lint-free cloth. Use a silicone spray to lubricate swivels and glides on chairs. If metal outdoor furniture is caught during a sudden rain storm, please make sure to drain any water that may have accumulated inside the frame.

Fabric Materials Care: For Linen – If the linen item is removable, place the item in a clean sink or tub with cool water and a mild detergent. Gently agitate the linen items, then remove from the soapy water. Rinse with cool water and hang dry. If not removable, then spot clean by dabbing with solution of cool water and a mild detergent on a soft non-abrasive cloth. For Microfiber - If the microfiber item is removable, (cushion/canopy covers, drapes, etc.) machine wash in warm or hot water with mild detergent. No fabric softeners as they will clog the open spaces in the microfiber, making the fabric useless. Be careful what you wash with your microfiber. Avoid anything made with cotton because the microfiber will grab on to the lint. If not removable, prevent stains as much as possible by removing crumbs, dust, dirt, and debris. Clean spills immediately! For stain removal, load a spray bottle with generic rubbing alcohol and spray the area lightly; using a soft cloth and a blotting motion to remove the stain. Allow area to air dry.

Outdoor Cushion Care: Please note our cushions are made from a high density polyester foam, and the covers are made from a moisture resistant polyester blend. This does not mean they are waterproof! We do not recommend leaving cushions out in inclement weather, and if cushions become wet, please dry them immediately by removing the cushion from the cover so they can dry separately. Wring out any excess moisture before drying. Air dry only! Cushion covers are machine washable (gentlest cycle with like colors and cold water), and we recommend separating the cushion cover from the core for any cleaning purposes. Always air dry the cushion covers and cushion cores after wringing out excess moisture, and do not attempt to wash cushion cores. Cushions should be stored and covered when not in use to protect them from rain, sunlight, and other staining agents.

**MOISTURE
RESISTANT**



WATERPROOF

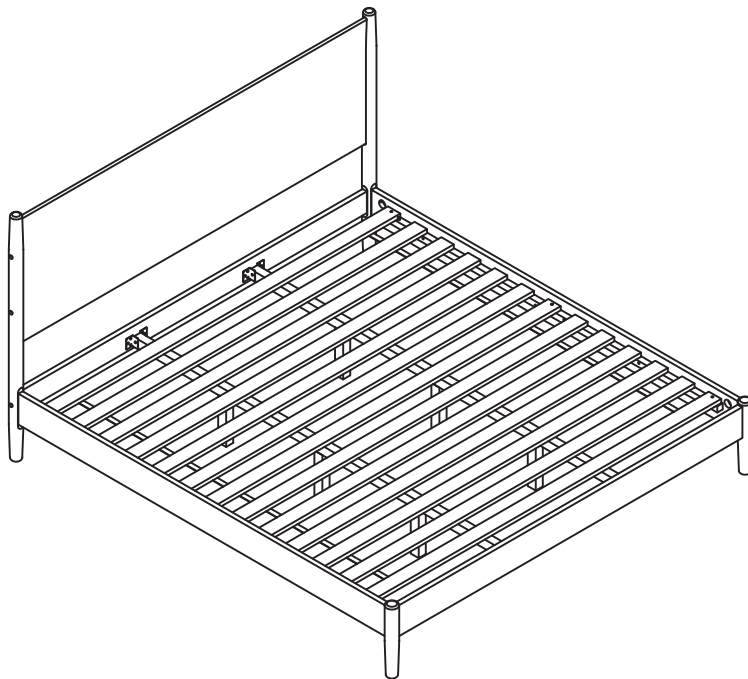


Outdoor Furniture Storage: We highly recommend storing any outdoor furniture during the winter and/or rainy seasons. Before storing your furniture, please ensure all moisture collected in the frame tubes has been drained. When outdoor furniture is not in use, we recommend covering all the furniture to protect it against the elements. If outdoor furniture is caught during a sudden rain storm, please make sure to drain any water that may have accumulated inside the frame.



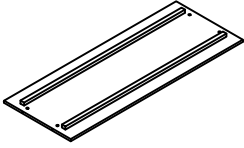
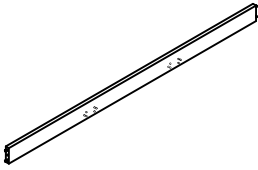
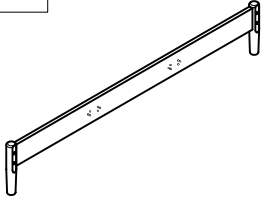
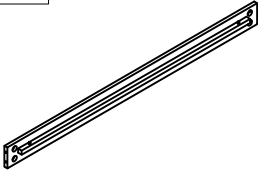
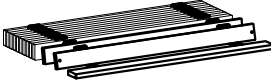
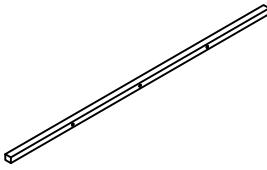

Coastal Customers: Due to the corrosive nature of salt, extra care must be taken due to the higher salinity in the air as well as the possibility of direct contact from sea spray. Keep outdoor metal/wicker furniture covered when not in use, and rinse with fresh water on a regular basis to prevent salt accumulation. Make sure to drain any water that may accumulate inside the frames after rinsing. Additional protection in the form of protective transparent sealer is recommended as well.

As products are improved upon and new products are released, our Use and Care Instructions are regularly updated




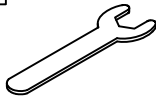
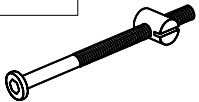


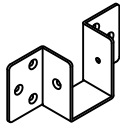
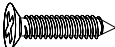
KING BED



PART LIST

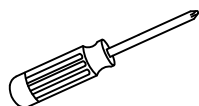
A 	B 	C 	D 	E 
Left Post 1 PC	Right Post 1 PC	Headboard Panel 1 PC	Bottom Stretcher 1 PC	Footboard Panel 1 PC
F 	G 	H 	I 	
Side Rail 2 PCS	Slats 1 SET	Central Rail 2 PCS	Support Leg 6 PCS	

HARDWARE LIST

#1  Φ 5/16"*90 mm	#2  Φ5/16"*12*8mm	#3  Φ 28*14.5*7.5mm	#4 	#5/#6  Ø5/16" *100mm
Headless Bolt 9 PCS (Extra 1)	Hex Nut 9 PCS (Extra 1)	Half Moon Nut 9 PCS (Extra 1)	Wrench 1 PC	#5 Bolt 7 PCS (Extra 1) #6 Nut 7 PCS (Extra 1)
#7 	#8  #8*30mm	#9 	#10  #7*15mm	
Allen Wrench 1 PC	Long Screw 7 PCS (Extra 1)	U-Shape Bracket 4 PCS	Short Screw 25 PCS (Extra 1)	

ADDITIONAL TOOLS (Not Provided)

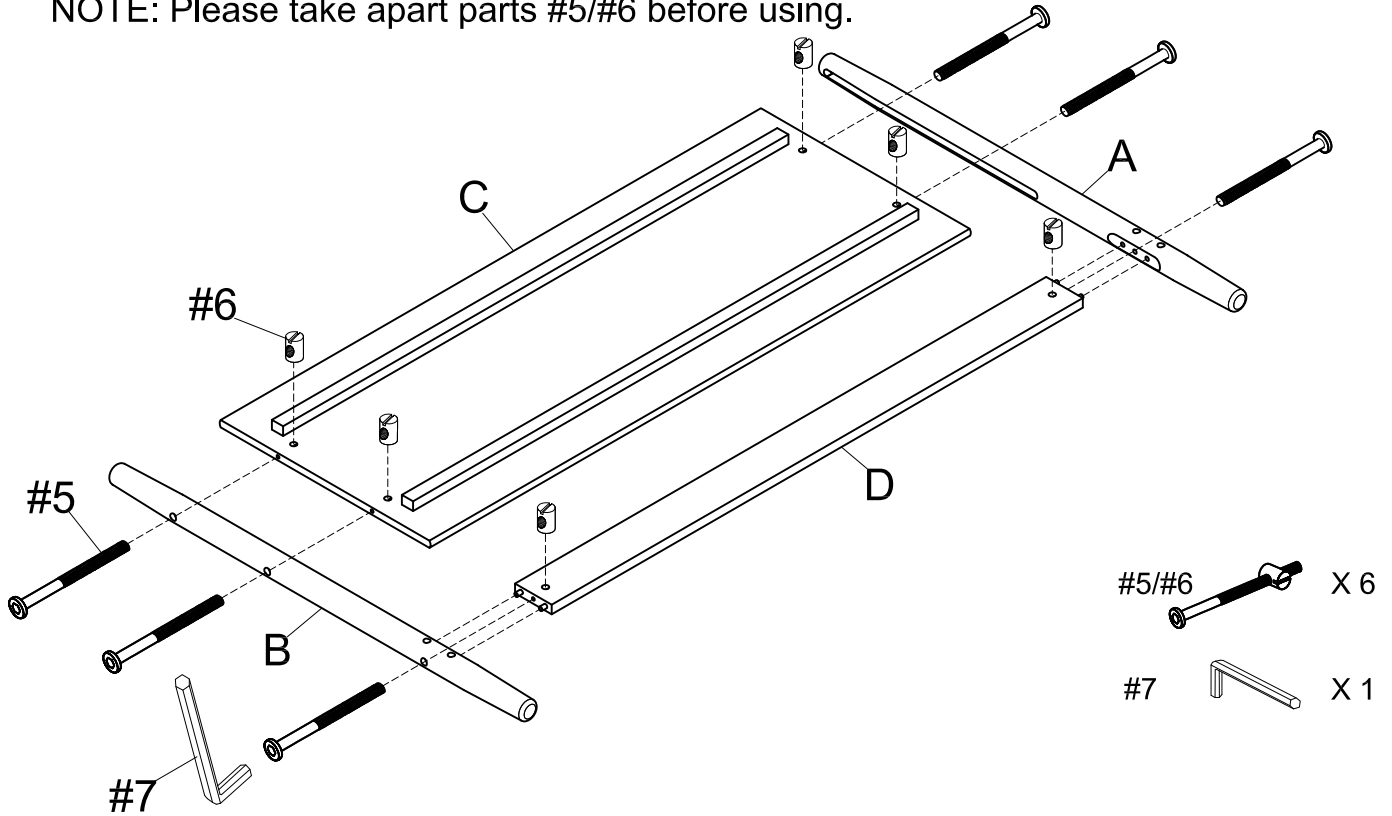
Note: It is not recommended to use power tools during assembly.



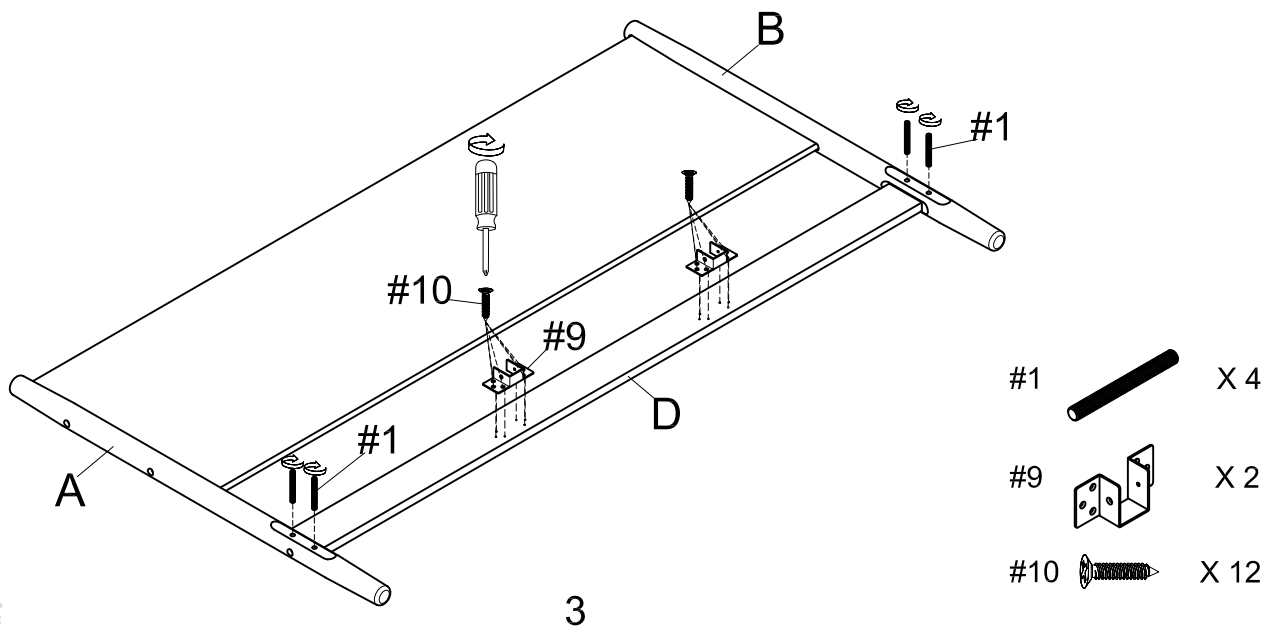
Phillips Head Screwdriver

Step 1. Lay headboard panel (part C) and bottom stretcher (part D) down on a soft surface, such as carpet, as shown below. Attach right post (part B) and left post (part A) to headboard panel (part C) and bottom stretcher (part D) using bolts (part #5), nuts (part #6) and allen wrench (part #7).

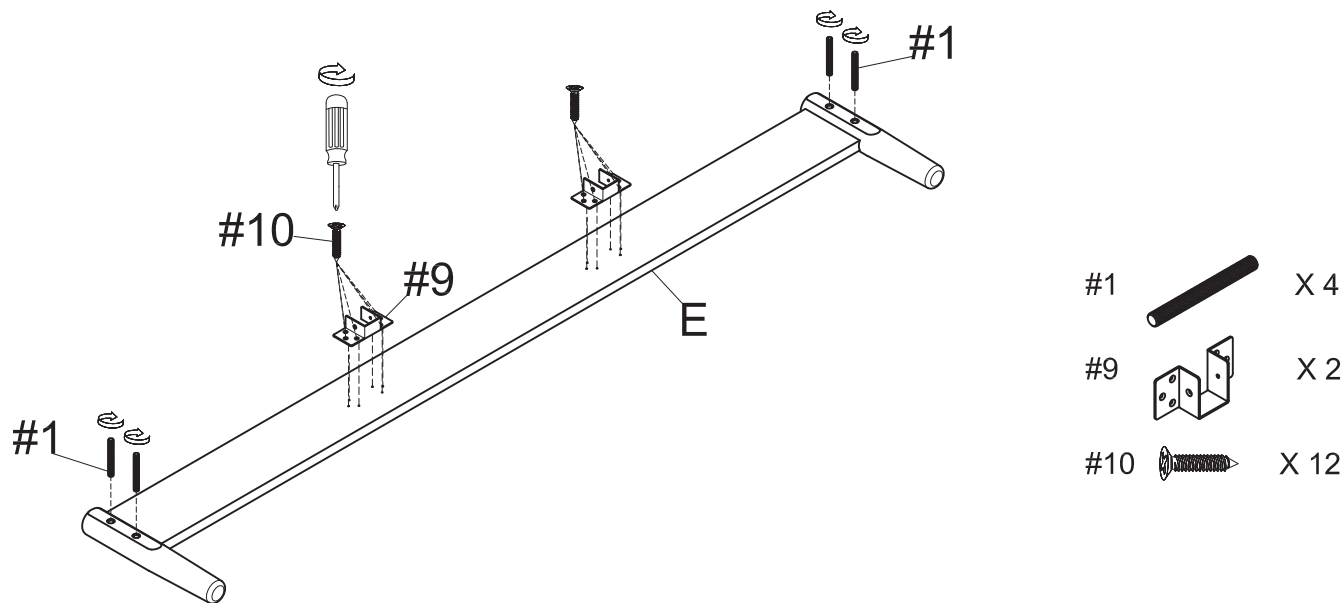
NOTE: Please take apart parts #5/#6 before using.



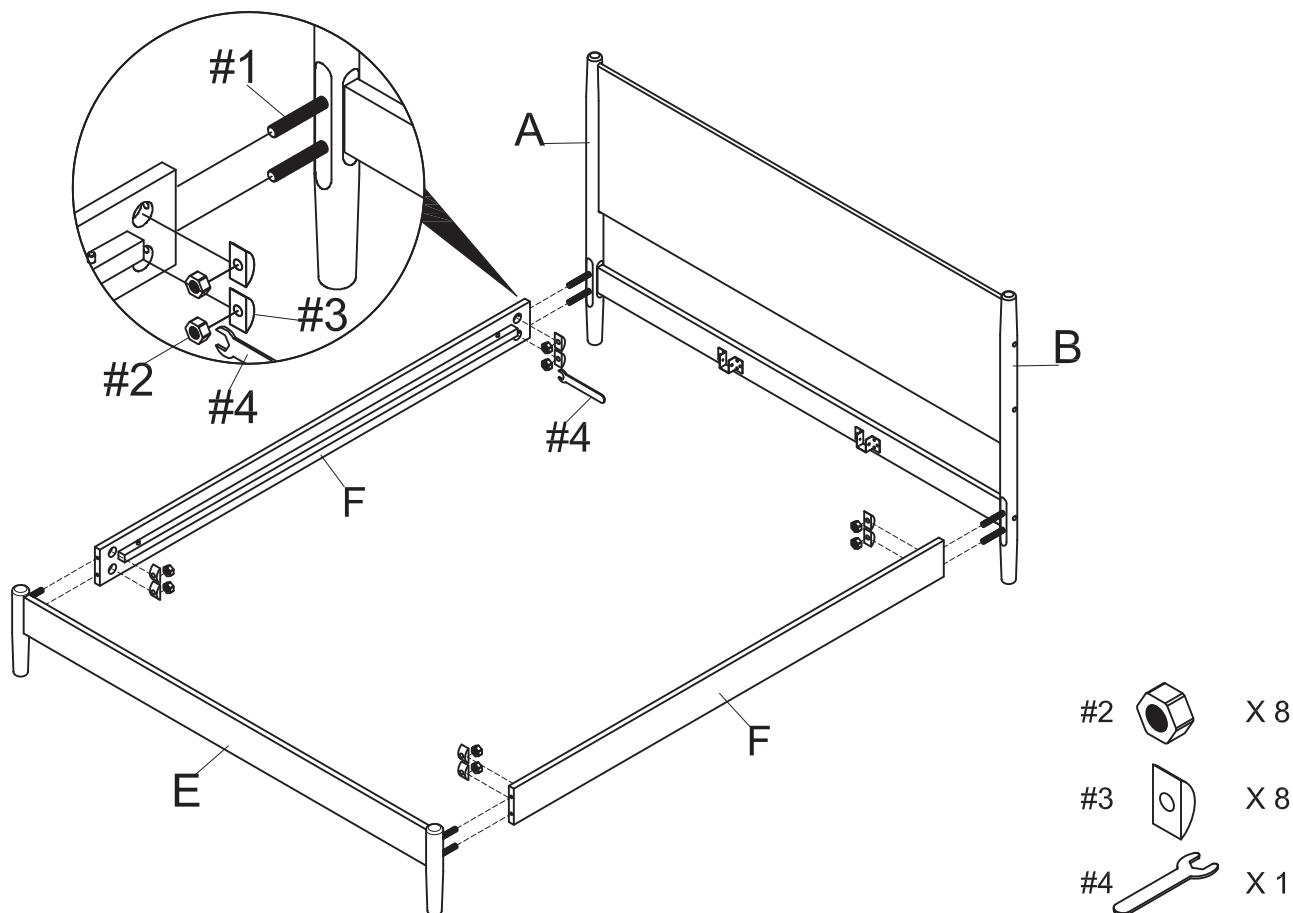
Step 2. Attach headless bolts (part #1) to right post (part B) and left post (part A). Attach U-shape brackets (part #9) to bottom stretcher (part D) using short screws (part #10) and phillips head screwdriver.



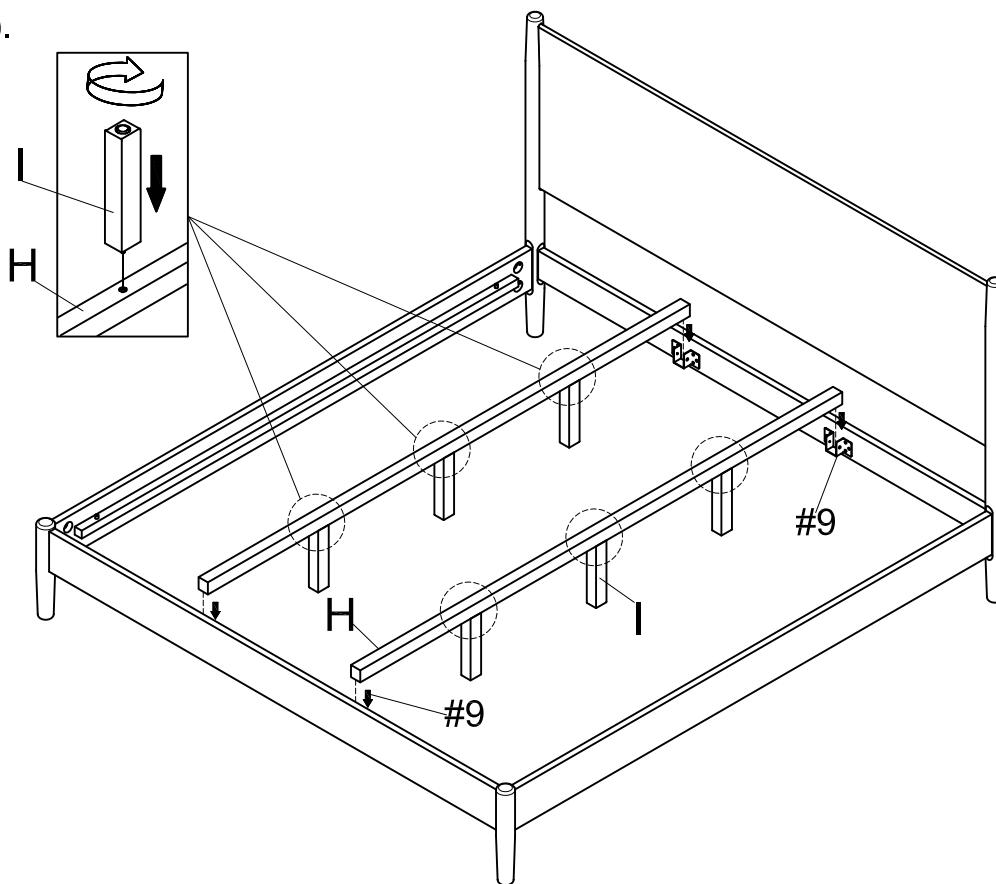
Step 3. Lay footboard panel (part E) down on a soft surface, such as carpet, as shown below. Attach headless bolts (part #1) to footboard panel (part E). Attach U-shape brackets (part #9) to footboard panel (part E) using short screws (part #10) and phillips head screwdriver.



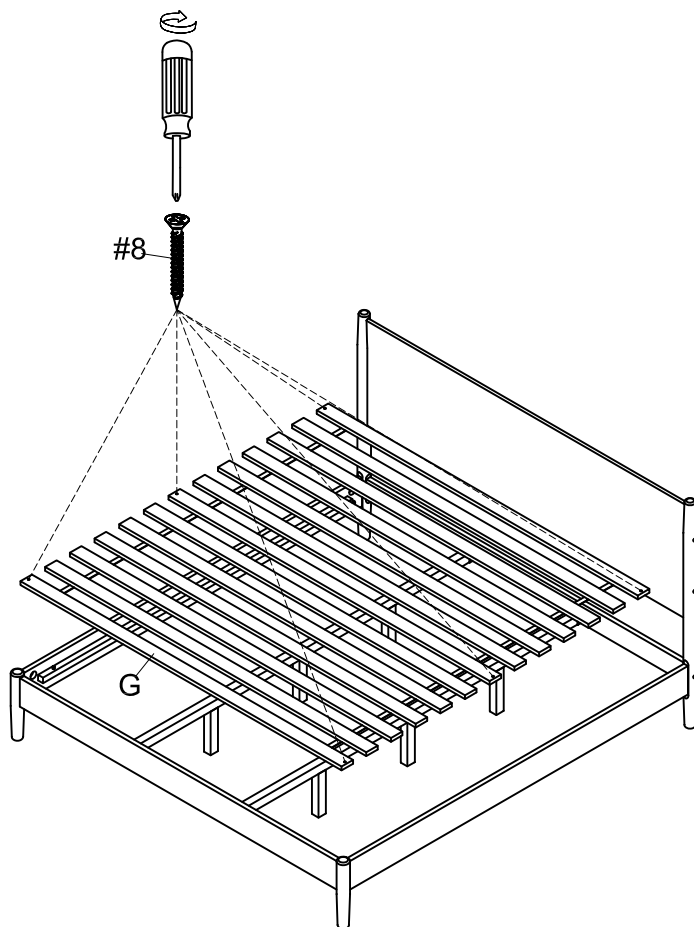
Step 4. Attach side rails (part F) to right post (part B), left post (part A) and footboard panel (part E) using hex nuts (part #2), half moon nuts (part #3) and wrench (part #4).



Step 5. Attach support legs (part I) to central rails (part H) and attach to U-shape brackets (part #9).



Step 6. Attach slats (part G) to bed using long screws (part #8) and phillips head screwdriver.



#8  X 6