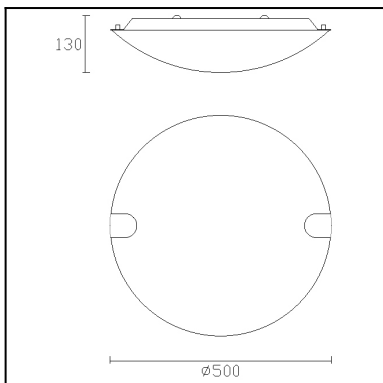
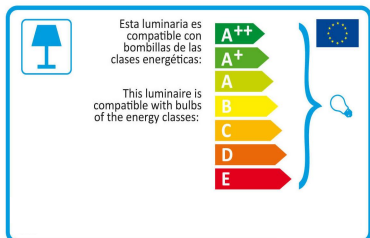




The photograph may not match the reference exactly. Please read the product description to identify the finish.



[Download photometric file .ldt /.ies](#)



Click on image to download energy label

TECHNICAL CHARACTERISTICS

Type:	Ceiling fixture
IP Protection degrees:	IP23
Light source 1:	3 x E27 max.40W Maximum lamp length: 200.00 mm Maximum lamp diameter: 60.00 mm
Voltage / Frequency:	220-240V/50-60Hz
Units per box:	3
Net Weight (Kg):	3.02



MATERIALS / FINISHES

Structure material:	Steel	Diffuser material:	Glass
Structure finish:	Chrome	Diffuser finish:	Satin

RESUMEN INFORME DE ENSAYO

Referencia de ensayo: 196

Resumen

Informe de prueba fotométrica.

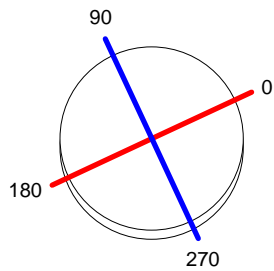
Matriz de intensidades	SI
Diagrama polar	SI
Diagrama cartesiano	SI
Fichero eulumdat	SI
Fichero IESNA	-----
Fichero OXL	-----

Informe de prueba colorimétrica -----

Luminaire		Measur.		Lamp	
Name	Plafón CUBE 3x23W fluor E27	Name	Plafon CUBE 3x23W fluor E27	Number	1
Line	- LEDS-C4			Position	Universal
Efficiency	100.00%	Coordinate system	CG	Total Flux	2403.95 lm
Maximum value	643.47 cd	Position	C=0.00 G=0.00	Double Symmetrical	
Round Luminaire	Diam. 500 mm	Height	135 mm		
Round Luminous Area	Diam. 500 mm	Height	96 mm		
Horizontal Luminous Area	0.196350 m2	Emitting area on Plane 180°	0.048000 m2		
Emitting area on Plane 0°	0.048000 m2	Emitting area on Plane 270°	0.048000 m2		
Emitting area on Plane 90°	0.048000 m2	Glare area at 76°	0.094075 m2		
Symmetry Type	Double Symmetrical	Maximum Gamma Angle	180		
Measurement Distance	6.44	Measurement Flux	2403.95 lm		
Operator	Asselum T2	Source voltage	230.00 V		
Temperature	21.00 °C	Source current	Prc		
Humidity	44.00 %	Photocell			
Notes					

Luminaire Lamps						
Line	Name	Flux [lm]	Pow. [W]	Q.ty		
- LEDS C4	Lámpara fluor 3x23W 2700K	2403.95	69.00	1		
C.I.E.	40 69 89 94 100				D DIN 5040	A21
F UTE	0.94 G + 0.06 T				B NBN	BZ 5 / 2 / BZ 6 / 2.5 / BZ 5 / 3 / BZ 6

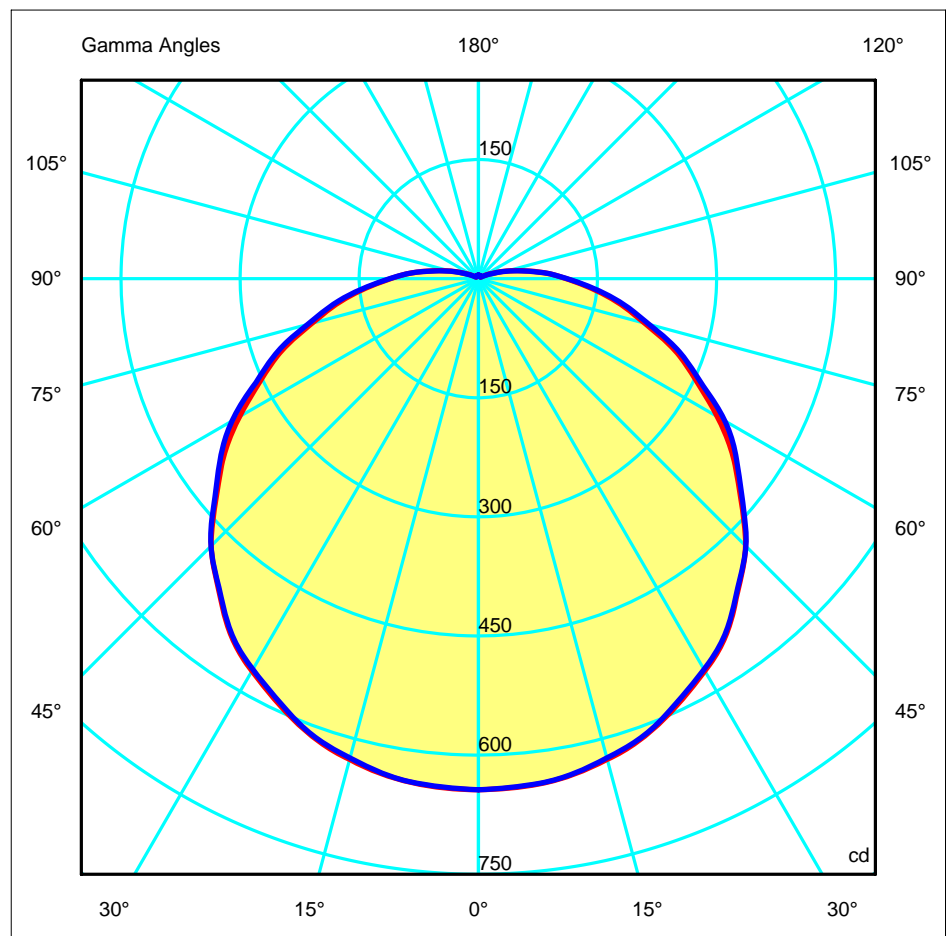
Diam=500mm

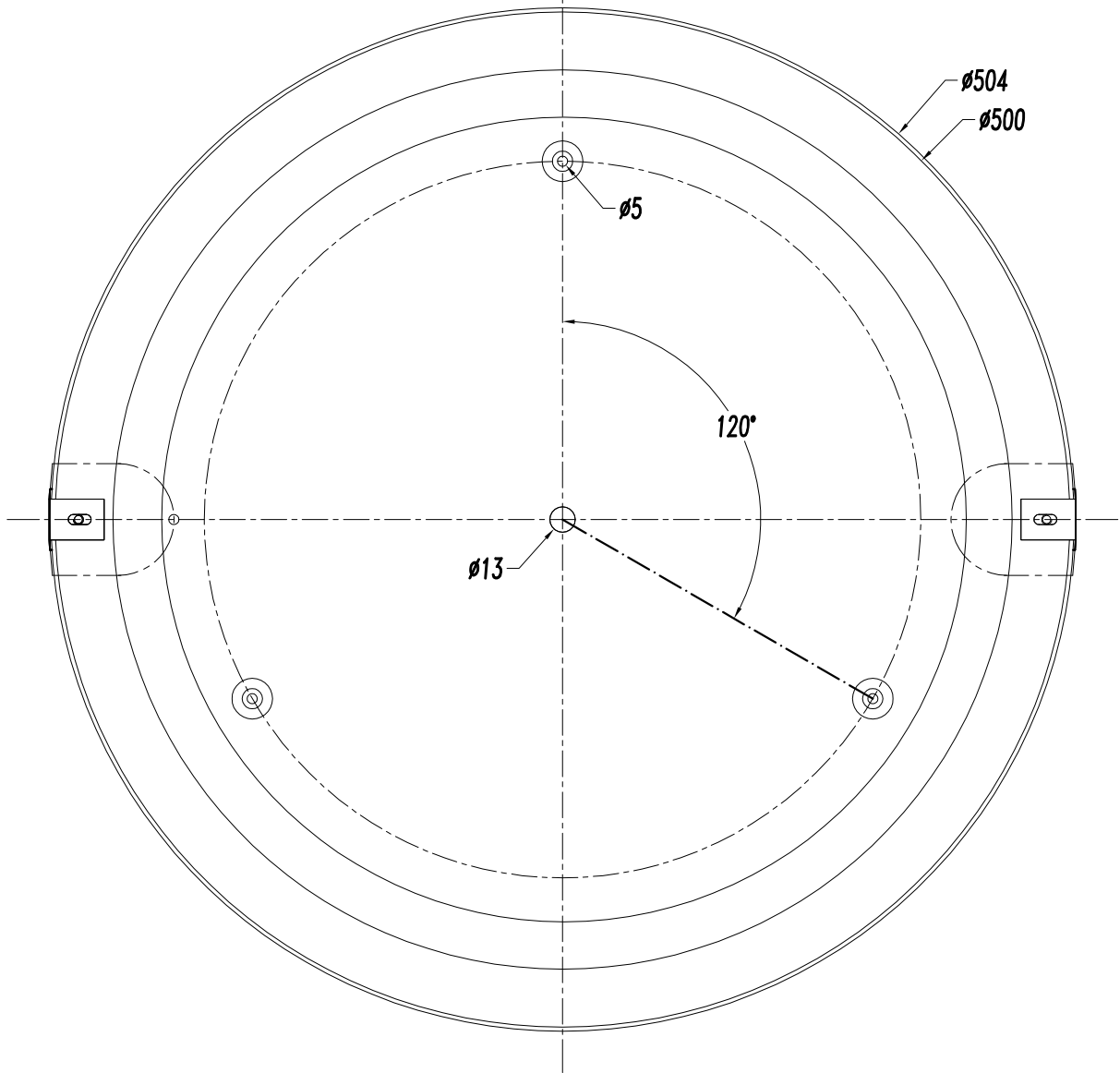
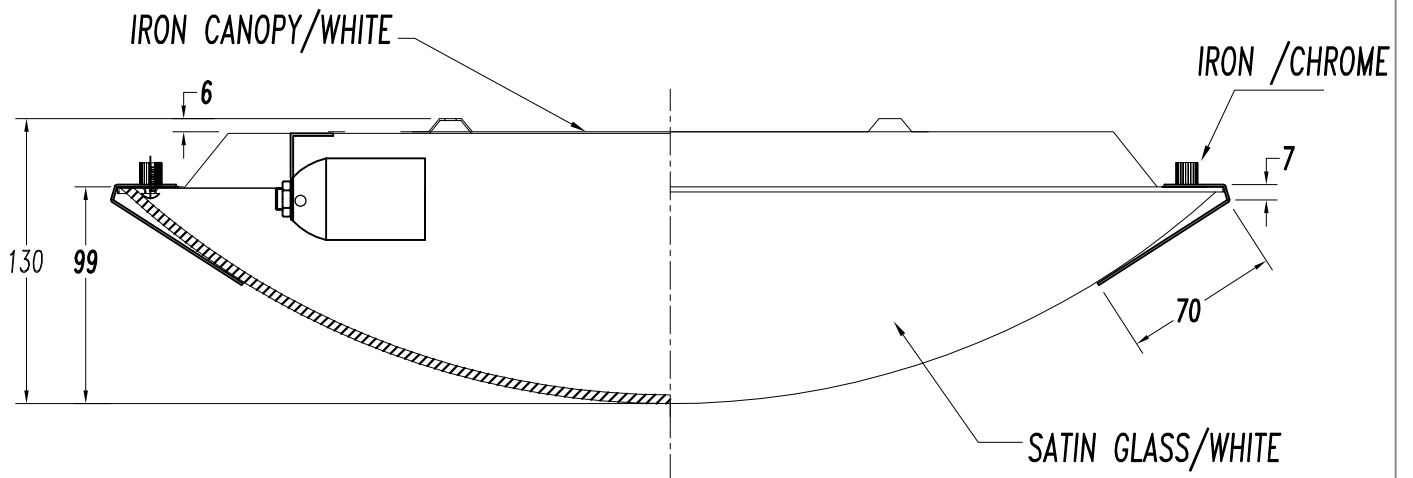


C Halfplanes

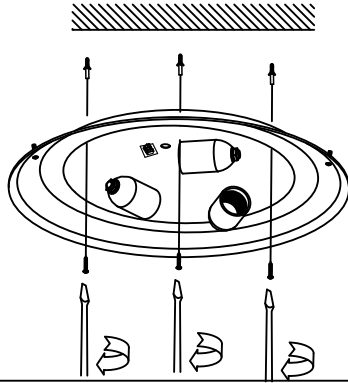
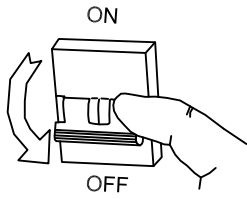
180.0 — 0.0
270.0 — 90.0

ULOR 6.43 %
DLOR 93.57 %
RN 6.43 %

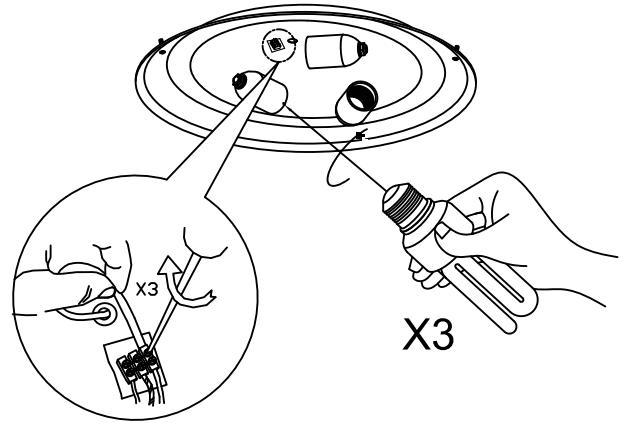




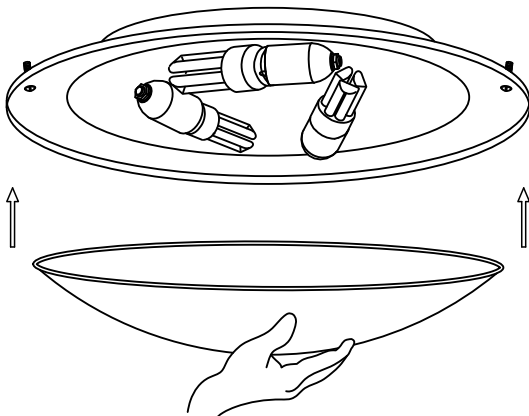
1



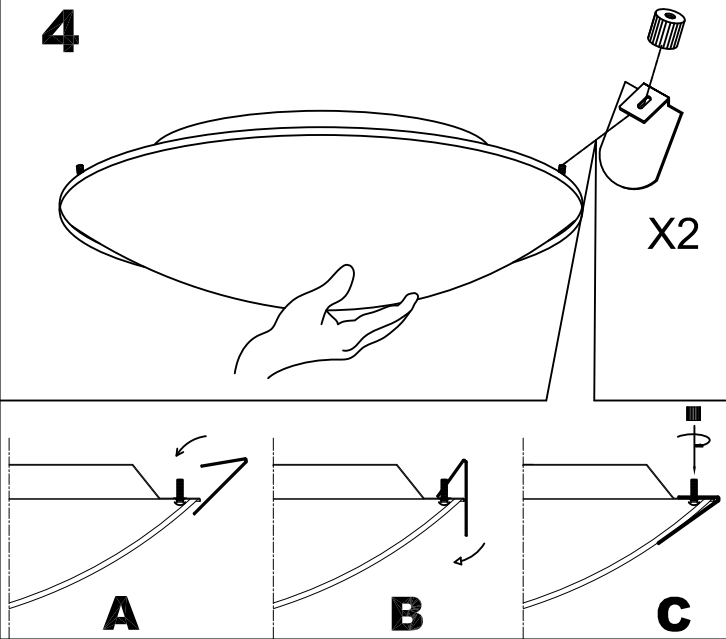
2



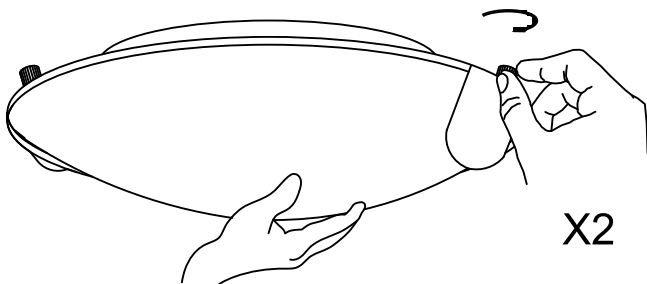
3



4



5



6

