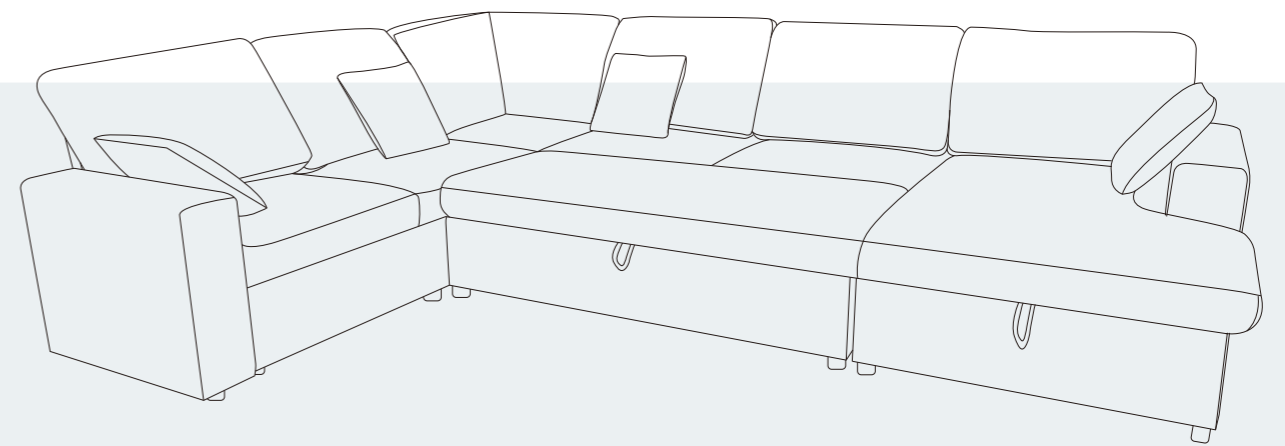


Sofa

Assembly Instruction - Please keep properly for future reference.

If you find any missing boxes, damaged parts, or accessory shortages, please contact the customer service team of your purchasing channel immediately. We will resolve the issue as quickly as possible.



CONTACT US

- In order to receive assistance more quickly, please provide

THE FOLLOWING INFORMATION:

- Order number
- Purchase platform
- Purchase date
- Detailed description of the issue along with photos (if applicable)

Important – Please read these instructions carefully before starting the installation.

V1.1

EN

Sofa

Before Assembly



Thank you for choosing our product!

To ensure a smooth installation process, please read this guide carefully to familiarize yourself with the required tools, materials, and installation steps.

Follow the relevant sections to avoid any damage caused by improper installation, and make sure to review all operation and safety guidelines for correct installation procedures.

Packaging Notice:

1. Multi-Box Shipping Notice

This product is packaged in 3 separate boxes for shipping and may arrive in batches at different times. To ensure a smooth assembly process, please make sure all boxes are received before unpacking and starting the installation.

2. Box and Packaging Verification

Each box is labeled with a corresponding number. Please refer to the packing list on the next page of this manual to verify that all boxes have been received.

If you find any missing boxes, damaged parts, or accessory shortages, please contact the customer service team of your purchasing channel immediately. We will resolve the issue as quickly as possible.

Installation Information

- All information in this guide is based on the product's condition at the time of printing. We reserve the right to modify product features, packaging, or availability without prior notice.
- Before installing the furniture, ensure that all necessary electrical or environmental preparations are completed.
- This manual contains important instructions on installation, cleaning, and maintenance. Please read it thoroughly and keep it for future reference.

Pre-Installation Checklist

1. Carefully inspect the new product for any damage or defects.
2. Ensure installation is carried out on a clean, flat surface to maintain balance and stability.

3. Avoid prolonged exposure of the product to damp environments or direct sunlight.
4. Handle with care during installation. Use protective materials (e.g., soft pads) to prevent scratches.
5. For any questions or technical support, refer to the customer service guide and contact the seller's customer service.

Usage and Maintenance Recommendations

1. Clean furniture regularly to maintain hygiene and prevent bacteria growth. Use a damp cloth that has been wrung out to avoid scratching the finish.
2. Avoid contact with acidic or alkaline corrosive liquids.
3. Do not use unauthorized replacement parts. For replacement parts, contact the manufacturer or distributor.
4. Do not machine wash or rinse any part of this product with water.



Safety Warnings

1. Warning Labels:

Do not remove warning labels on the product or packaging, and always follow the related instructions.

2. Regular Inspections:

Regularly check all parts of the product to ensure they are correctly installed, undamaged, and all connectors are securely tightened.

3. Safe Use:

Do not play on or under the sofa, and strictly avoid jumping or any actions that may harm the sofa or users.

4. Rope Hazard:

Do not attach ropes, hooks, straps, or other unintended items to any part of the product.

5. Guide Preservation:

Retain this manual for future reference.

6. Supervisory Responsibility:

Safety is a shared responsibility between the manufacturer and the user. Always adhere to safety guidelines when using the product.

Disclaimer

We are committed to providing safe and reliable products. If you have any questions about this product or require additional support, please contact our customer service team. We are here to assist you.

Customer Service Guide



Thank you for choosing our product! We are committed to providing you with excellent service. If you find any missing parts, damaged packaging, or product damage after receiving all packages, please follow the steps below to quickly contact our customer service team. We will do our best to resolve your issue.

1. Missing Parts

Verify Parts:

1. Refer to the “Parts List” in the manual to verify the name, specifications, and quantity of the missing parts.
2. Take a clear photo of the parts list and mark the missing parts with detailed information, e.g., “Missing 5 pieces of M6×30mm screws.”

Contact Us:**By Email:**

Send an email with the subject line “Missing Parts Issue.” Include the following in the email:

- A description of the missing parts and a photo of the parts list.
- Order details (order number, purchase platform, purchase date).

2. Product or Packaging Damage

If it affects normal use:**Steps:**

1. Take clear photos or videos showing the damaged parts and the extent of the damage (multi-angle shots are recommended).

2. Email the photos/videos along with order details with the subject line “Product Damage Issue.”

Resolution:

After verification, we will arrange for a replacement part, product exchange, or refund as quickly as possible.

If it does not affect normal use:**Steps:**

1. Contact our customer service team.
2. Provide a description of the damage and include relevant photos or videos.

Resolution:

We will provide repair guidance or an appropriate compensation plan based on the specific situation.

Helpful Tips

To process your issue efficiently, please prepare the following information:

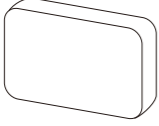
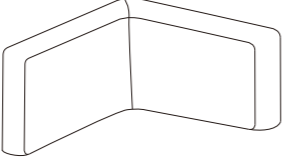

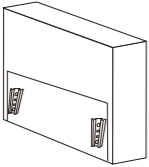
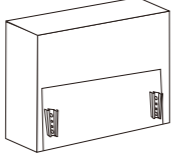

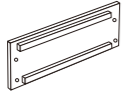

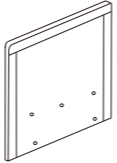
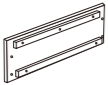
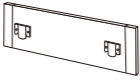
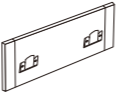
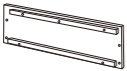
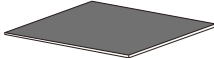
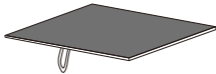
- Order details (order number, purchase platform, purchase date).
- Clear photos or videos.
- We are committed to providing quick and professional solutions, no matter the size of the issue, to ensure your satisfaction.

**Thank you for your trust and support!
We hope you enjoy using our product!**

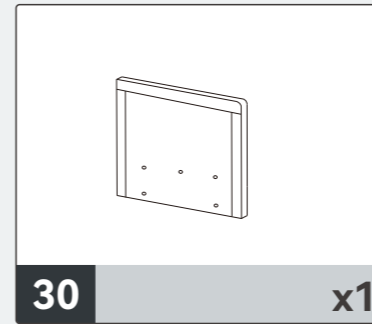
Parts List




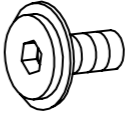
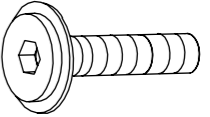
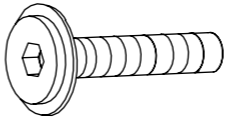
Box 1

		
01 x2	06 x1	07 x4
		
08 x1	09 x1	10 x1
		
17 x2	20 x28	22 x2
		
23 x1	24 x1	25 x1
		
26 x1	27 x1	28 x1

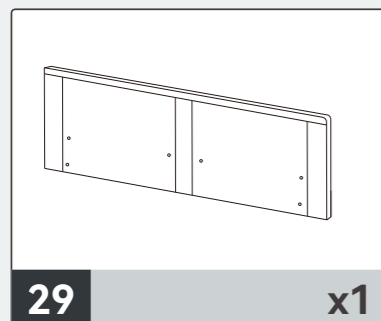
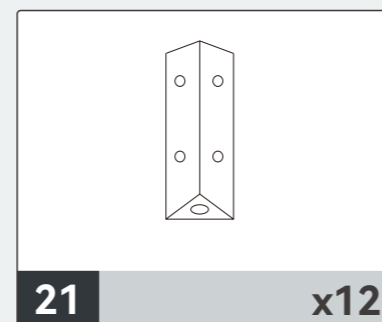
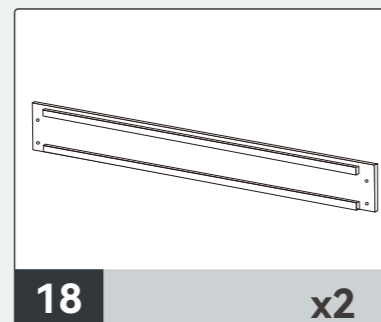
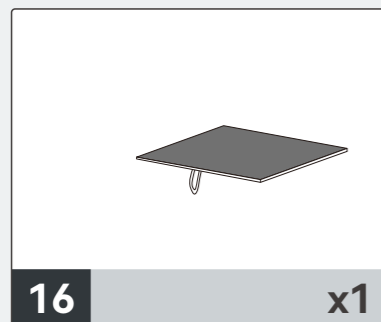
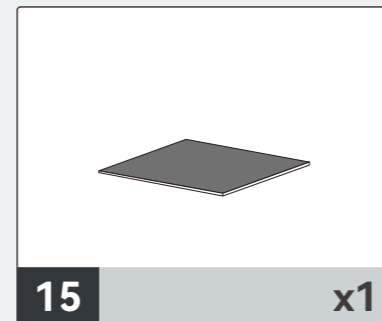
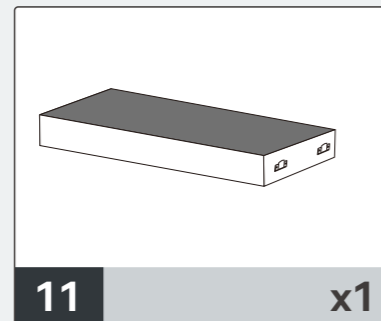
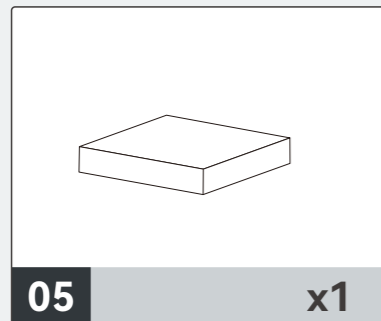
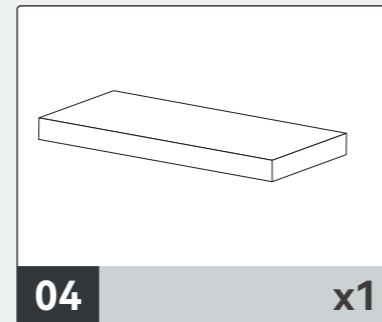
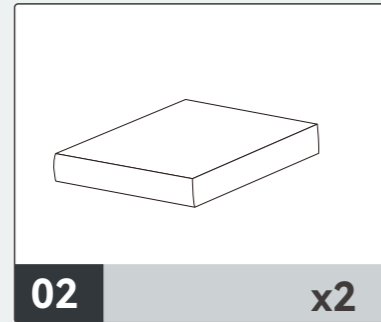
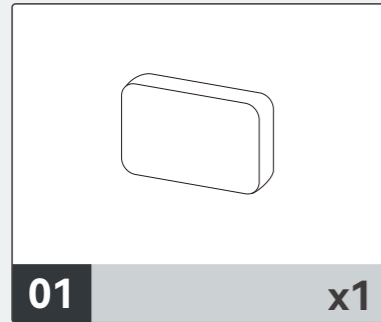
Box 1



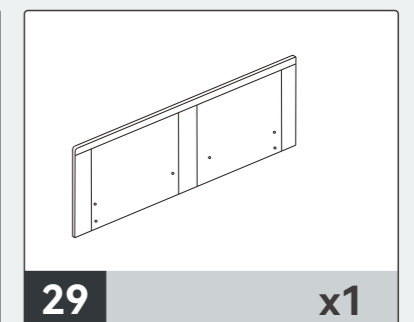
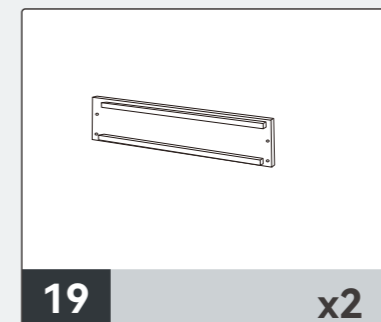
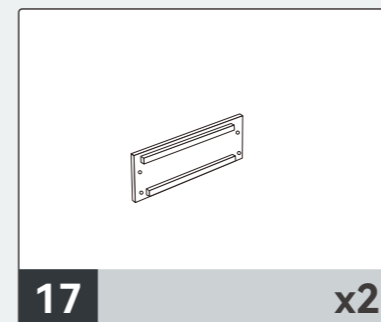
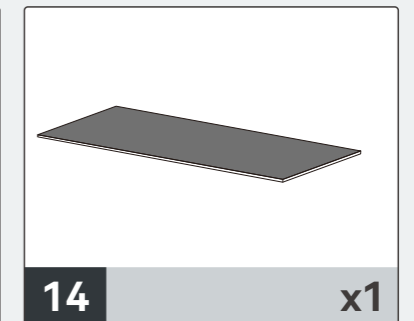
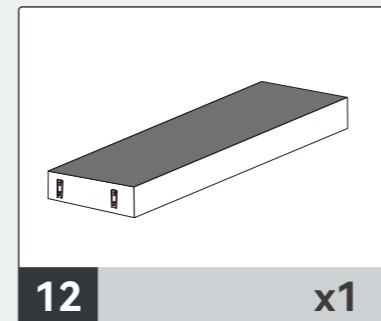
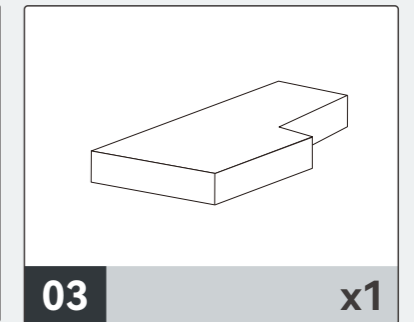
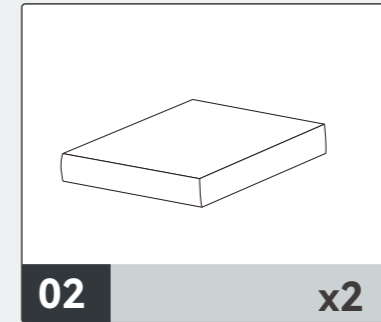
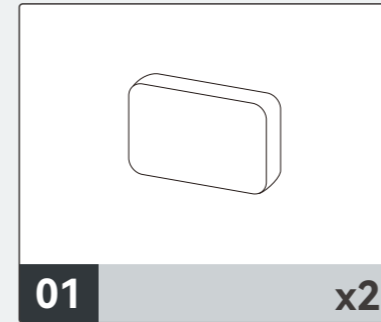
Hardware List (in Box 1)

		
A M6 x1	B M6x18mm x48	C M6x50mm x10
		
D M6x70mm x17		

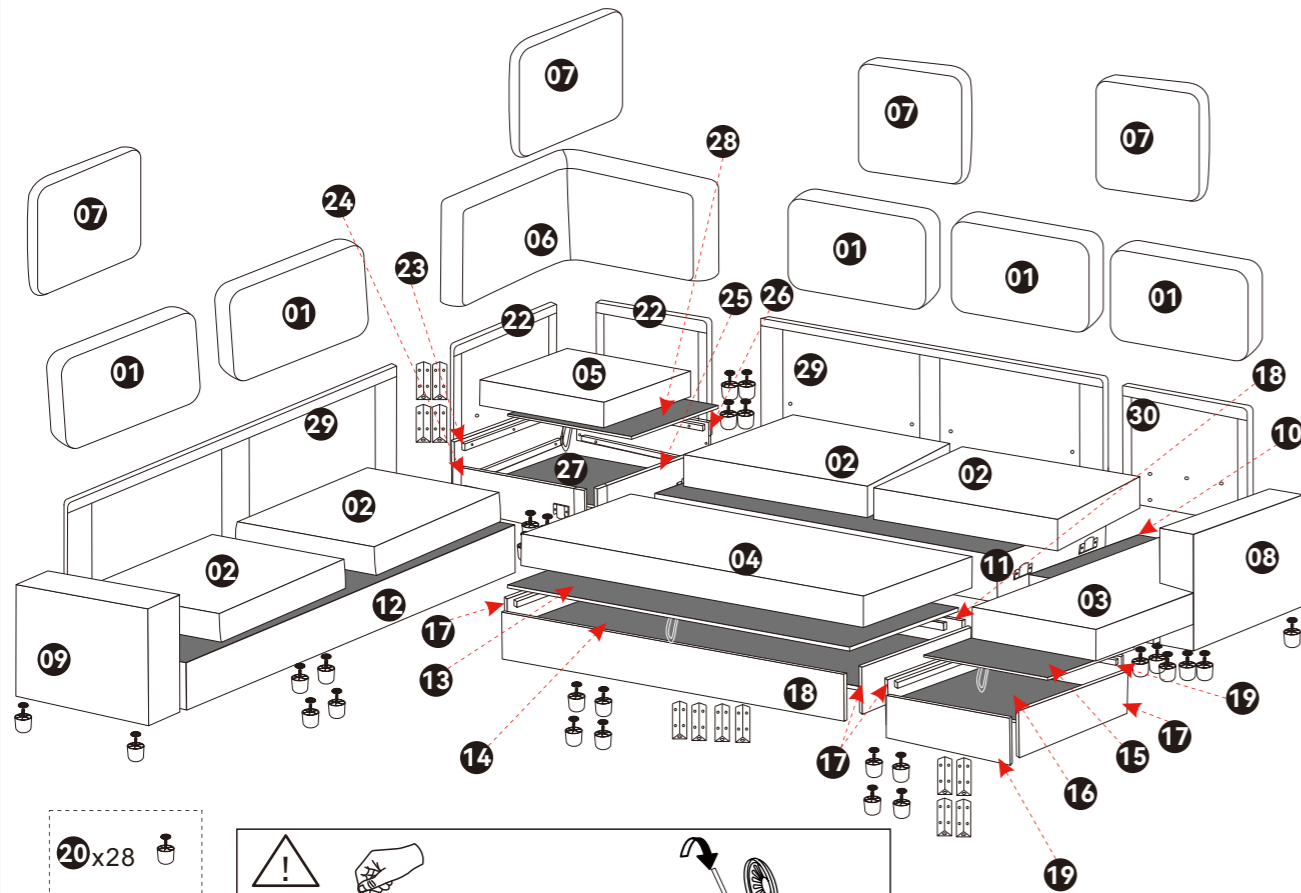
Box 2



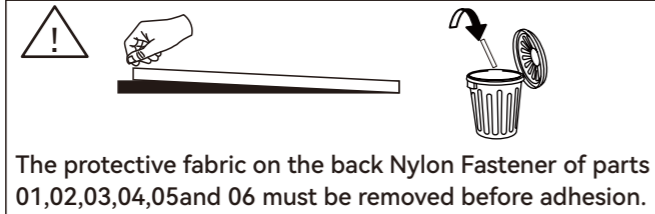
Box 3



Exploded View

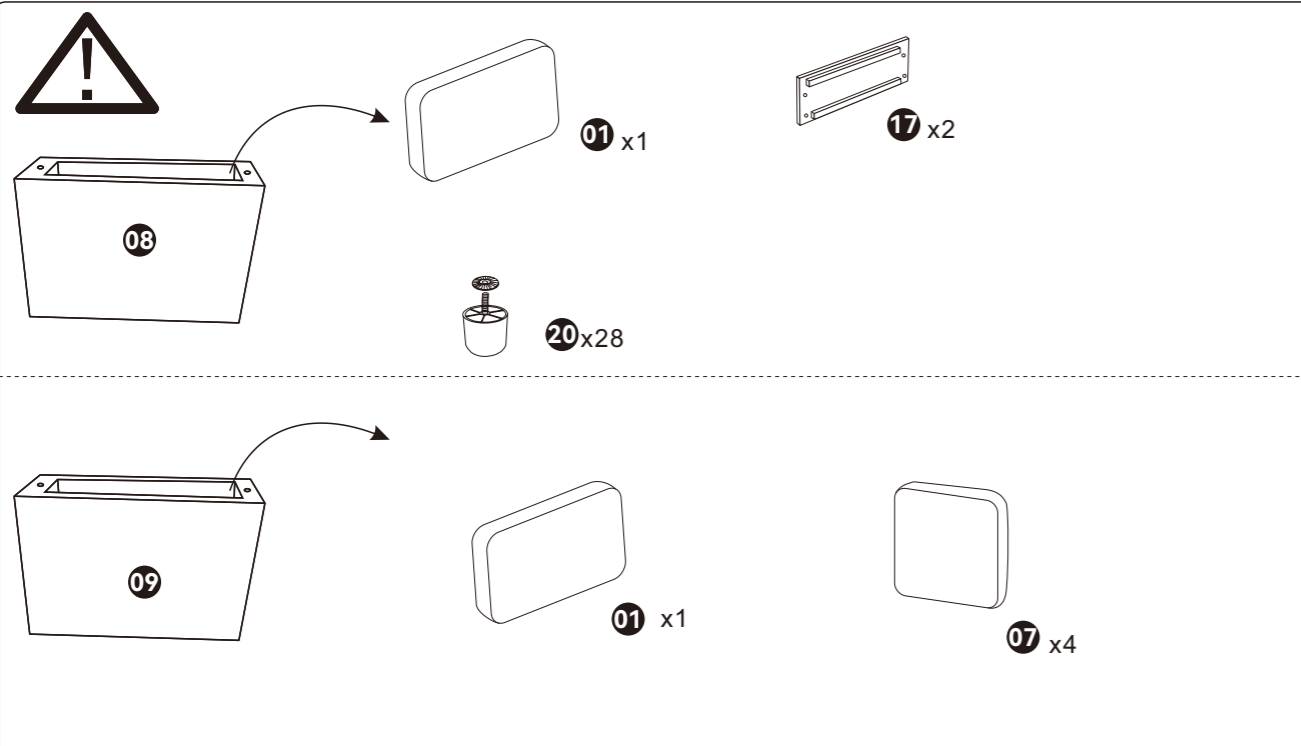


- 20x28
- 21x12



The protective fabric on the back Nylon Fastener of parts 01,02,03,04,05 and 06 must be removed before adhesion.

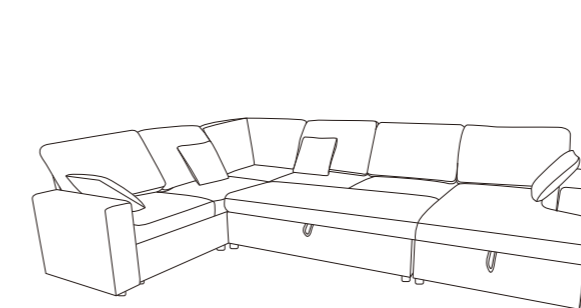
Notes:
Two people are required for installation, and the installation time is one hour.



Assembly Instructions



Important : Please read these instructions fully before starting asembly.

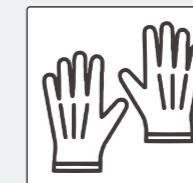


Note :
Delivered with **THREE PACKAGES** with **THREE TRACKINGS**, may **NOT** be delivered at the same time.

Before starting asembly, determine where the sofa will be placed and the orientation you want it to be.



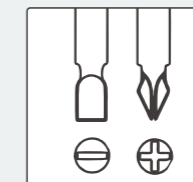
2 people needed



Work gloves



Tape measure



Other Tools Required
Phillips Screwdriver
(Not Included)

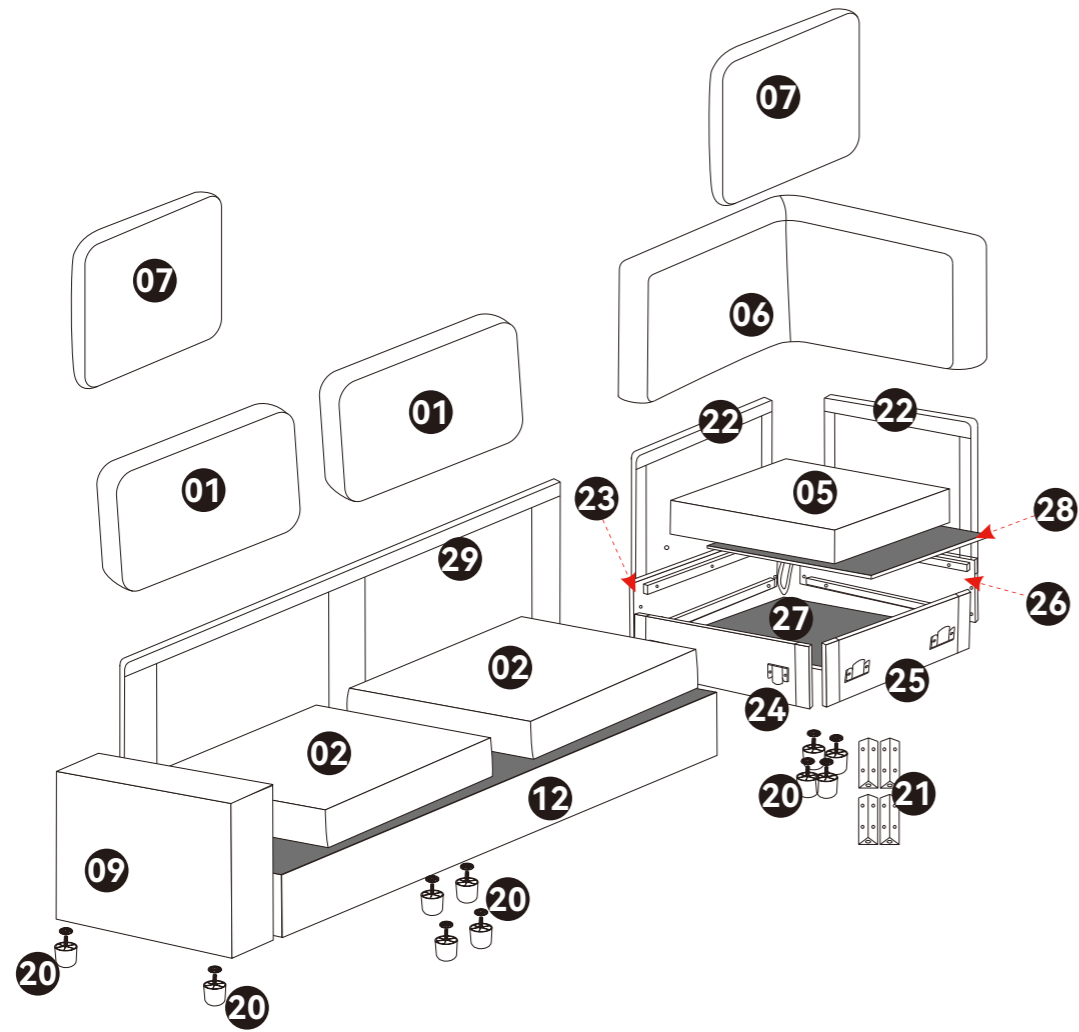
Simple Assembly Steps

1. Read the manual carefully.
2. Check all parts and hardware.
3. Prepare necessary tools.
4. Have at least two adults for assembly.

Please follow the instructions and use a sanitary napkin to protect the product during your assembly process.

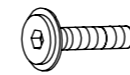
Note:
1. The assembly should be done on a flat surface to maintain balance.
2. Do not tighten the screws before the assembly is complete.
To make the assembly process easier and better, two or more adults are needed.

2-seater+ Corner unit - Exploded View

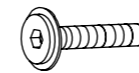


01 x2	02 x2	05 x1	06 x1	07 x2	09 x1	12 x1
20 x10	21 x4	22 x2	23 x1	24 x1	25 x1	26 x1
27 x1	28 x1					

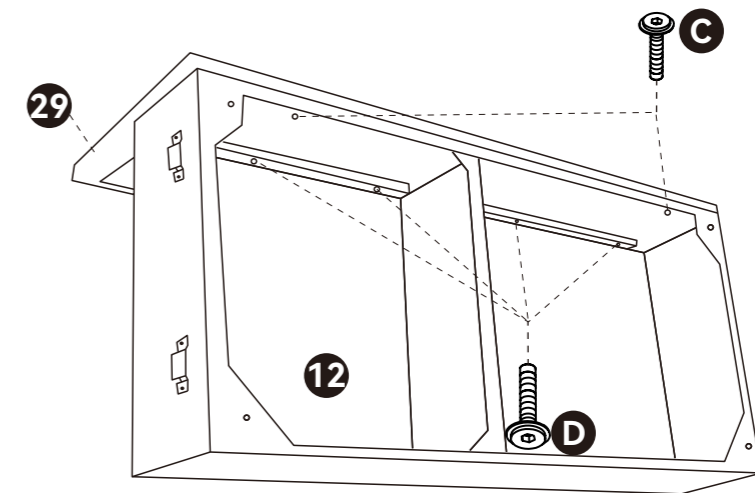
Step 1



C M6x50mm x2



D M6x70mm x4



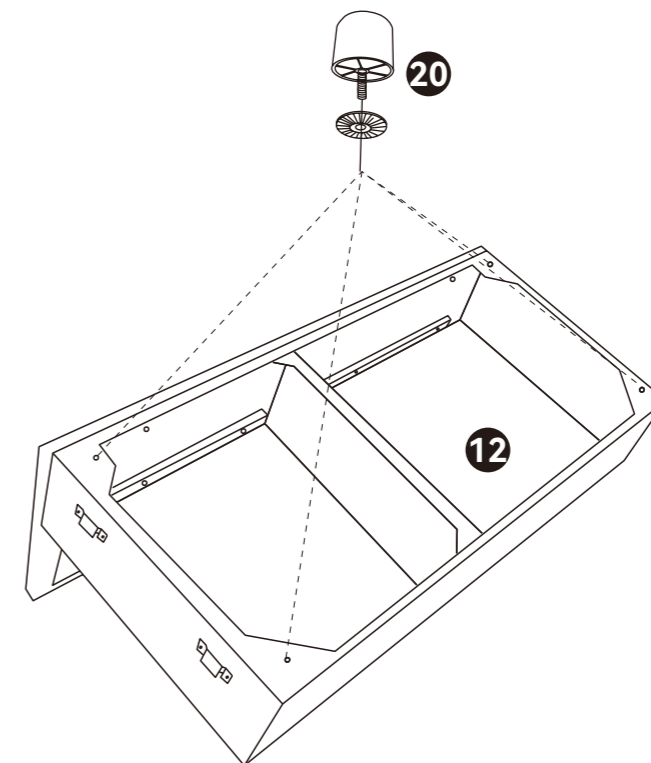
Connect Part 29 with Part 12.
Use Screw D for the inside row and Screw C for the outside row.

Note:
Start threading the Screw first—do not fully tighten them. After all Screws are started, tighten them all securely.

Step 2



20 x4



Install Part 20 onto the bottom of Part 12 and tighten it.

Step 3

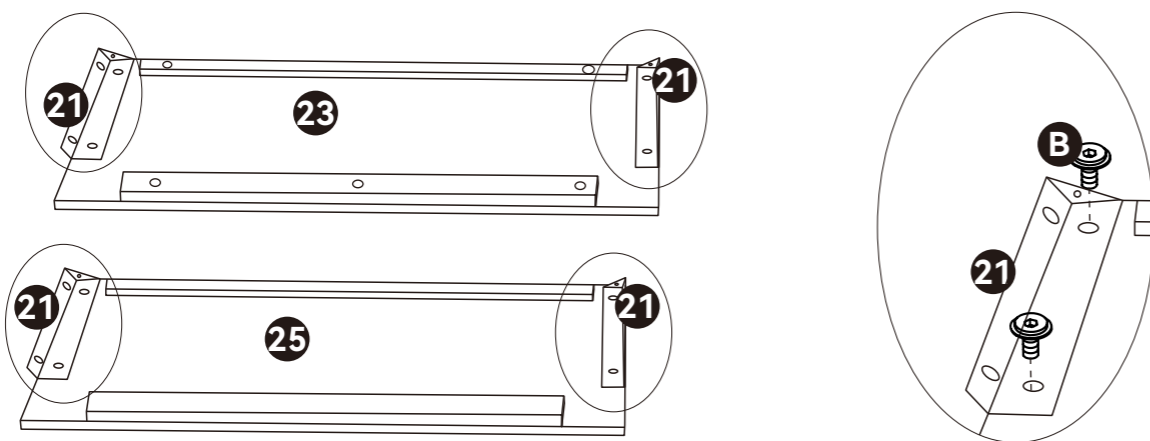


B M6x18mmx8

Attach Part 21 along the edge of Parts 23 and 25, and secure it with Screw B.

Note:

1. Pay attention to the installation direction of Part 21.
2. Start threading the Screw first—do not fully tighten them. After all Screws are started, tighten them all securely.
3. When installing part 21, align its side flush with the short sides of part 23/25.

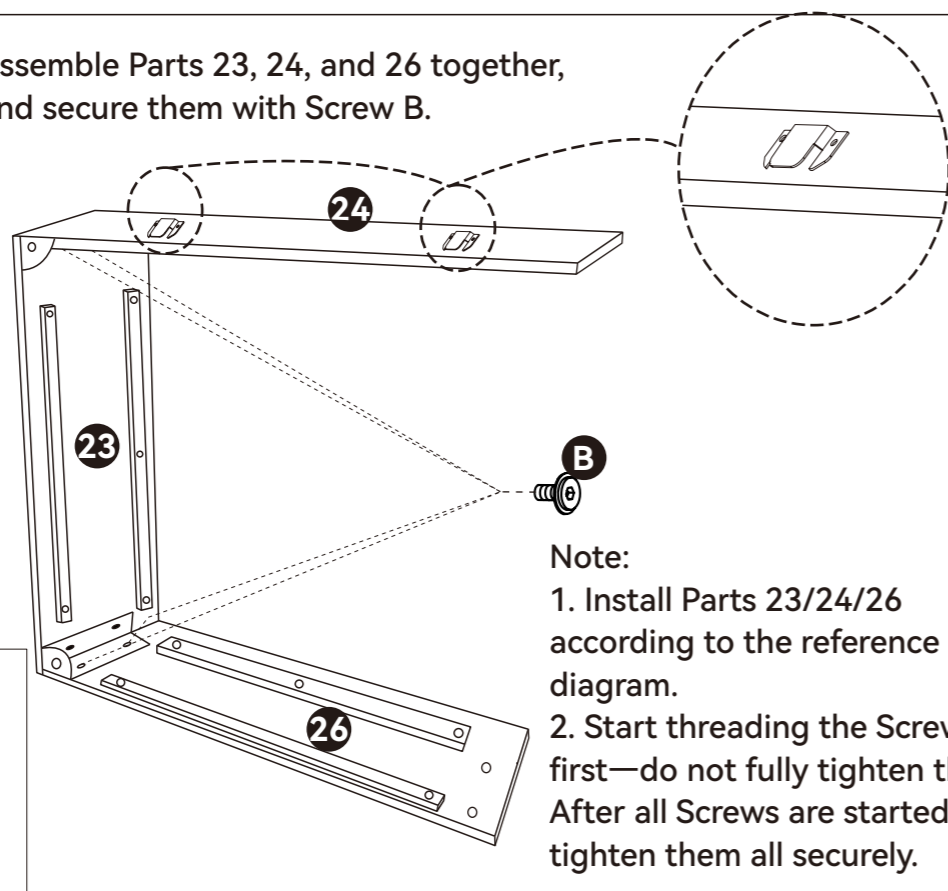


Step 4



B M6x18mmx4

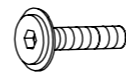
Assemble Parts 23, 24, and 26 together, and secure them with Screw B.



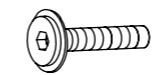
Note:

1. Install Parts 23/24/26 according to the reference diagram.
2. Start threading the Screw first—do not fully tighten them. After all Screws are started, tighten them all securely.

Step 5



C M6x50mm x4

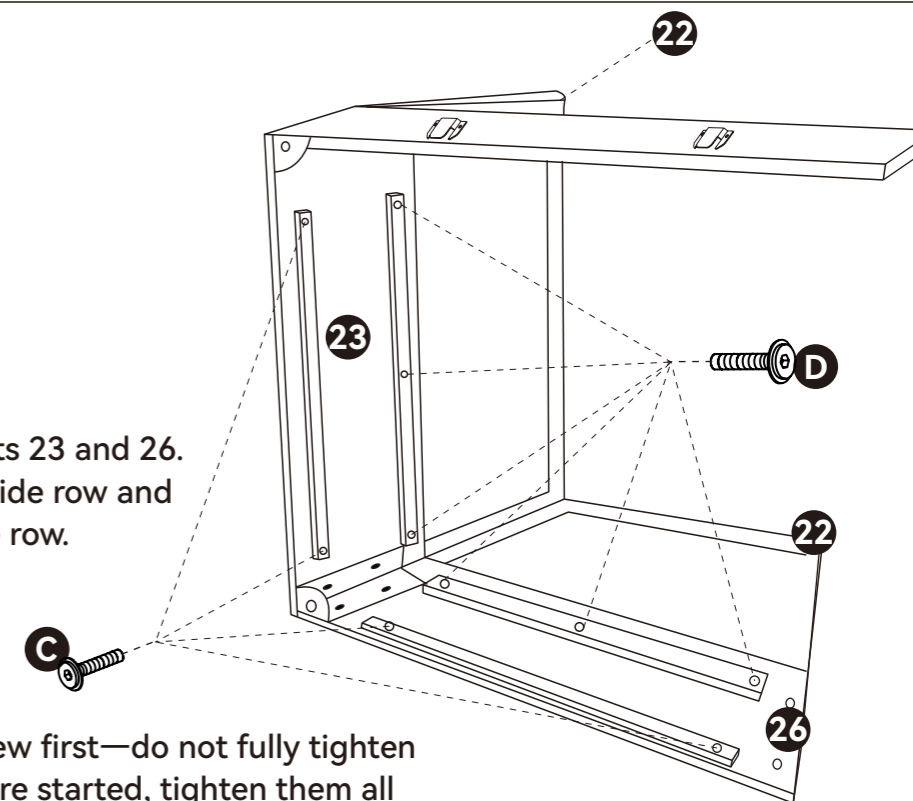


D M6x70mm x6

Install Part 22 onto Parts 23 and 26. Use Screw D for the inside row and Screw C for the outside row.

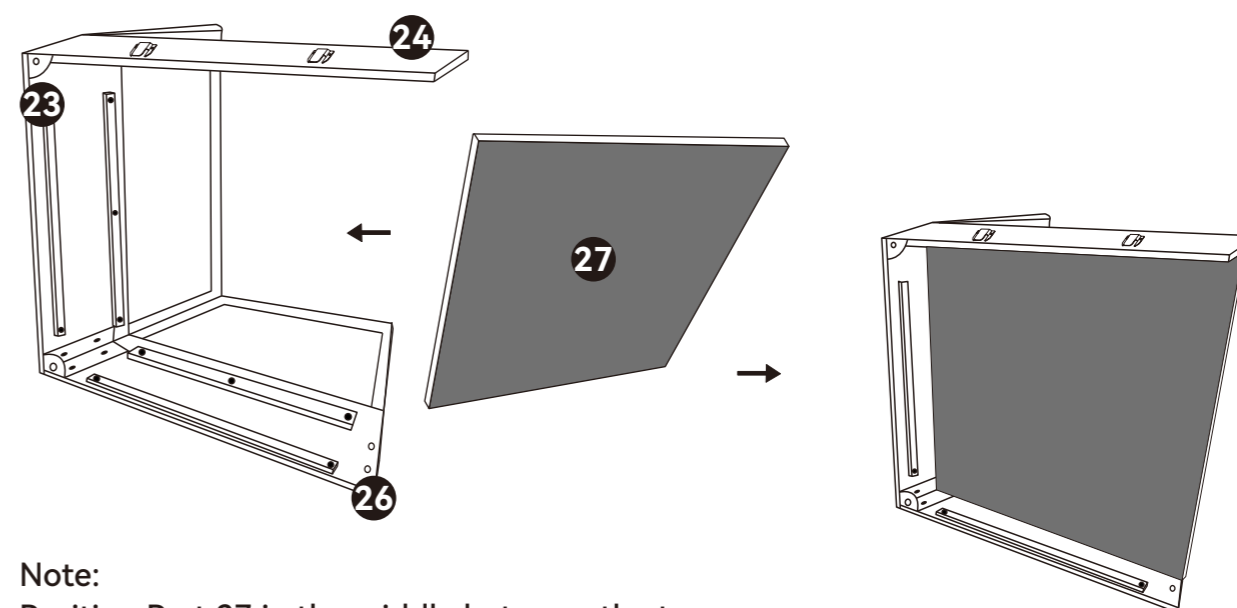
Note:

- Start threading the Screw first—do not fully tighten them. After all Screws are started, tighten them all securely.



Step 6

Place Part 27 inside the assembled frame.



Note:

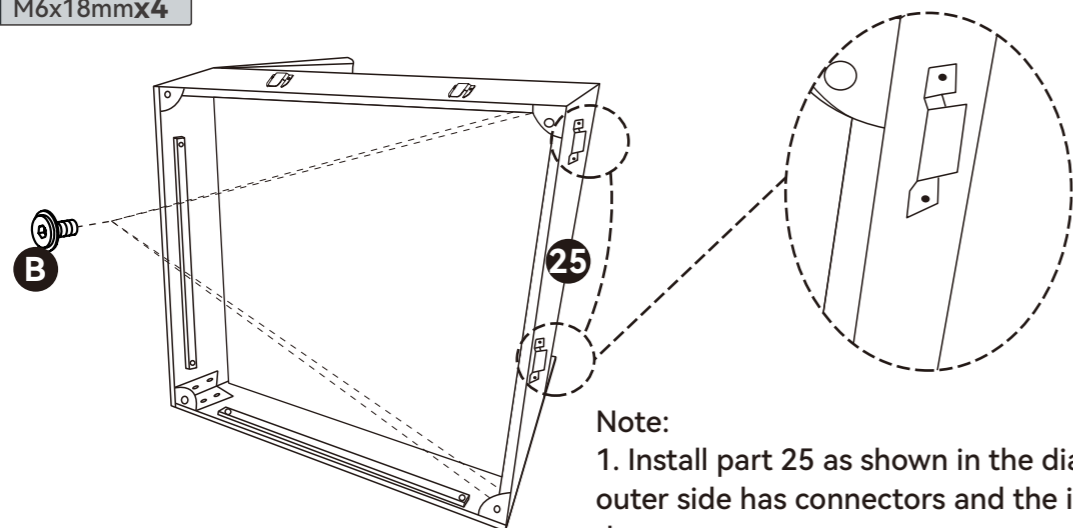
- Position Part 27 in the middle between the two horizontal bars.

Step 7



B M6x18mmX4

Install part 25 onto the assembly frame and secure it with Screw B.



Note:

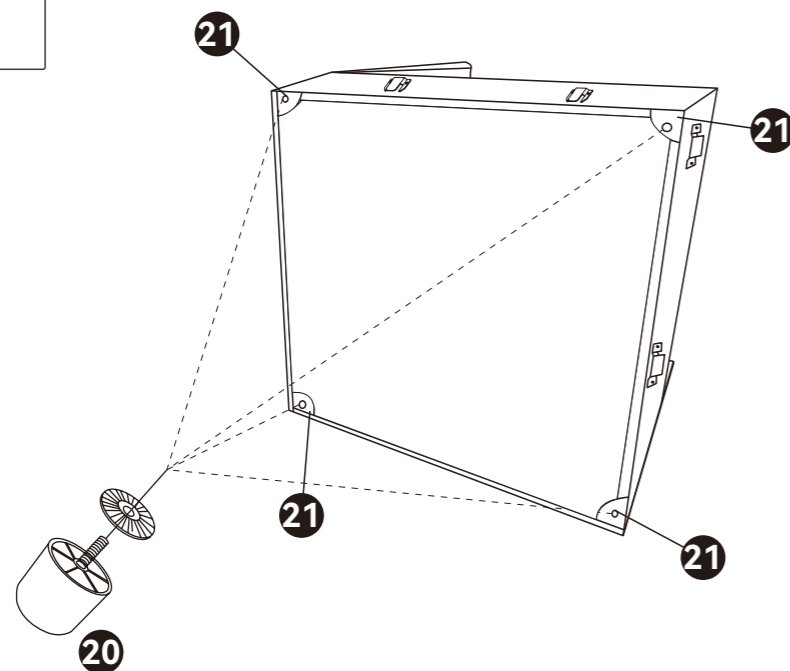
1. Install part 25 as shown in the diagram; the outer side has connectors and the inner side does not.
2. Start threading the Screw first—do not fully tighten them. After all Screws are started, tighten them all securely.

Step 8



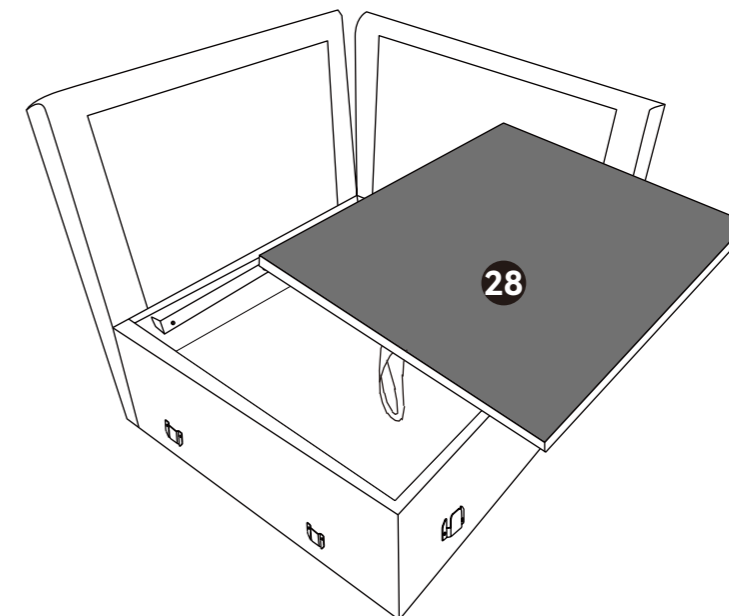
20 x4

Install Part 20 onto the bottom of Part 21 and tighten it.



Step 9

Place Part 28 inside the assembled corner frame.



Note:

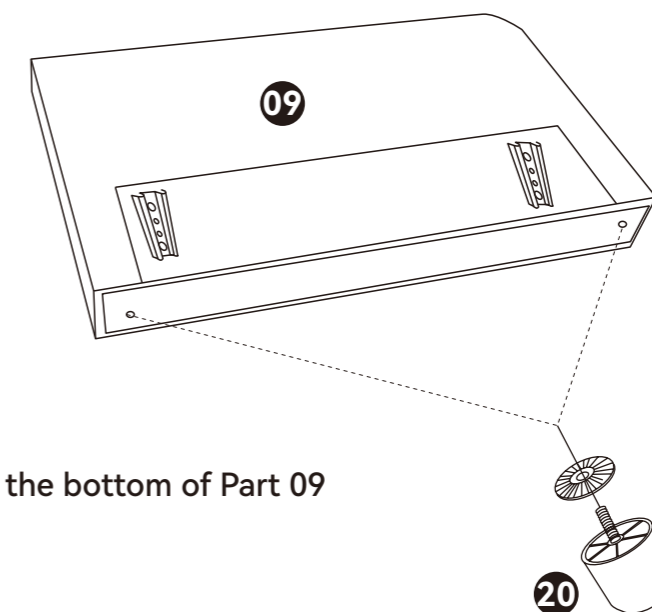
Do not place the strap inside.

Step 10

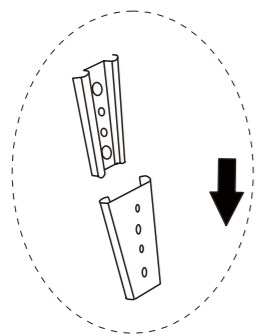


20 x2

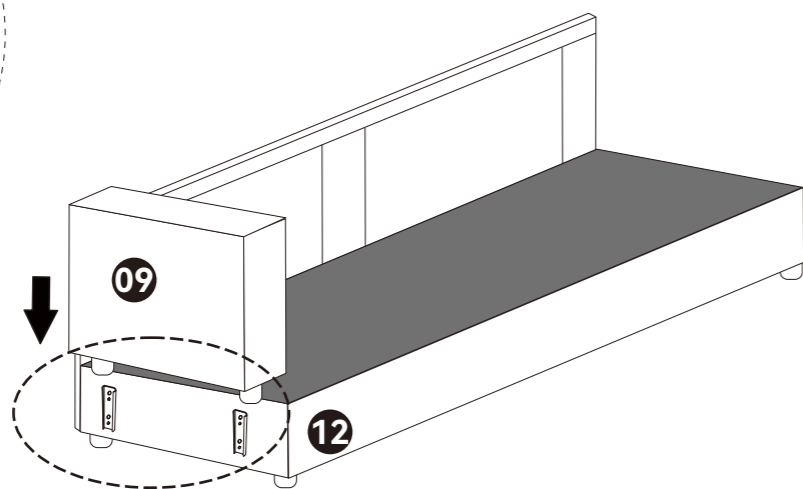
Install Part 20 onto the bottom of Part 09 and tighten it.



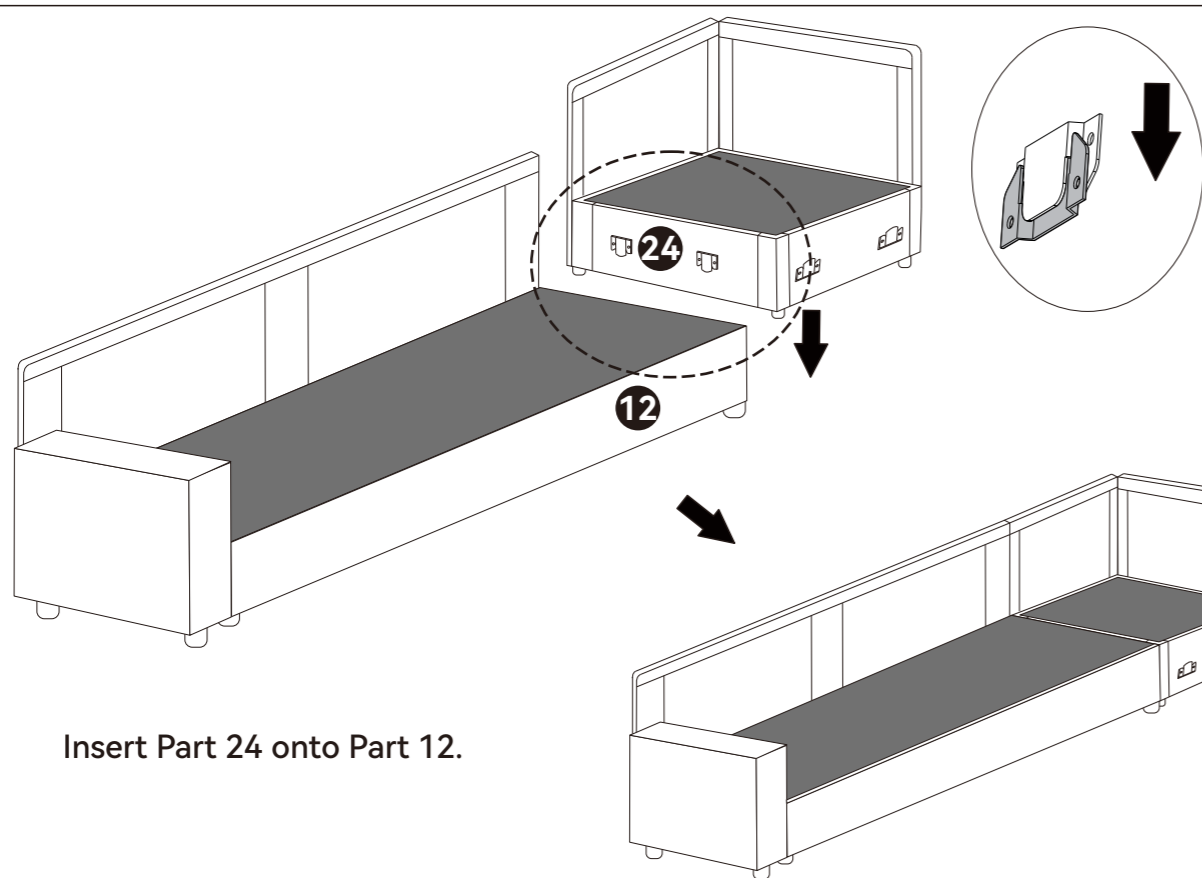
Step 11



Insert Part 19 onto Part 12.
Align both ends of the connector tabs, and push it in horizontally with steady force until it is fully seated.

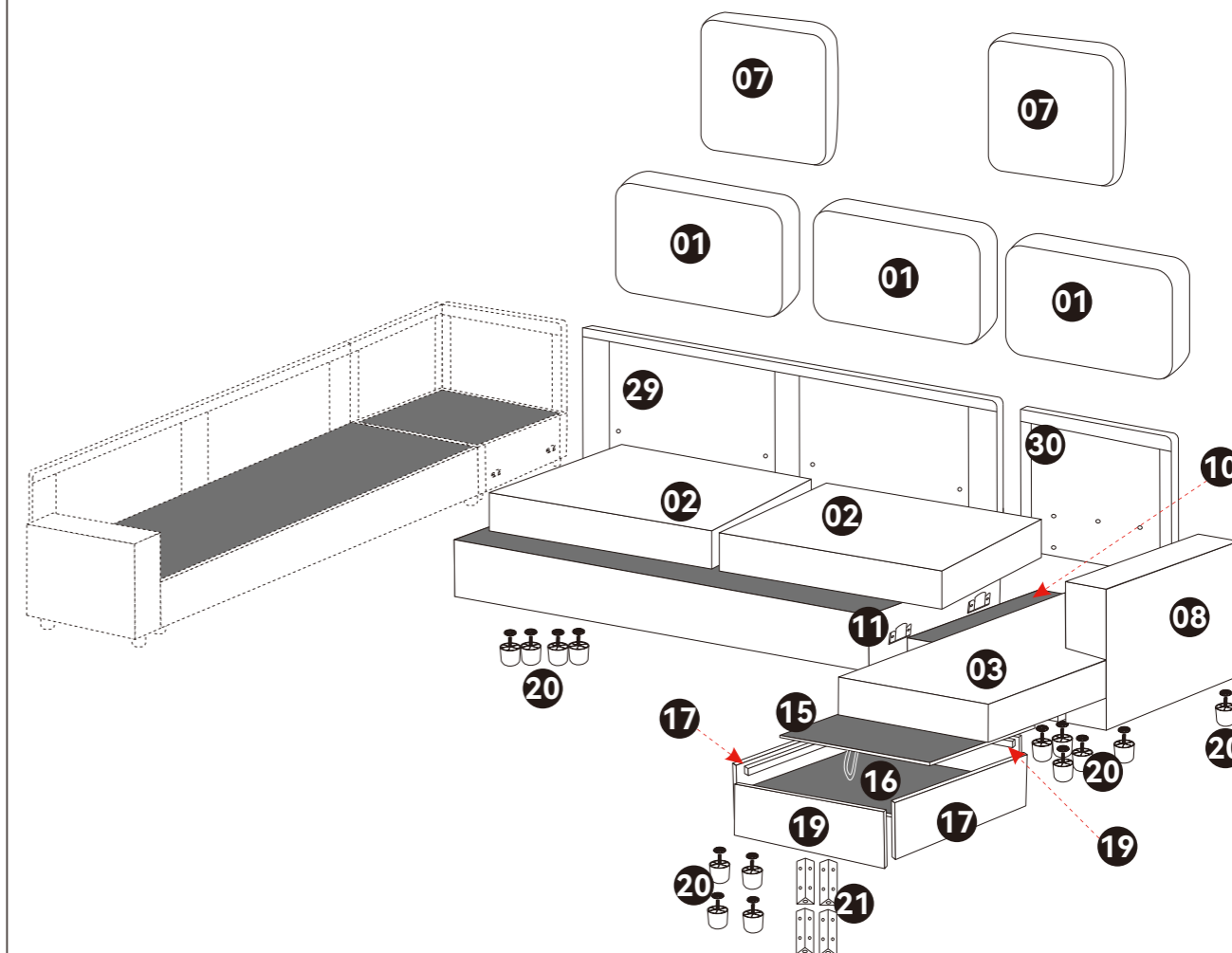


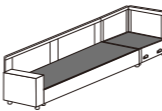



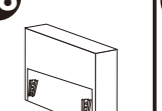

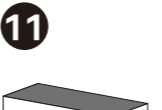


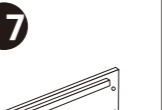


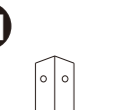


Step 12



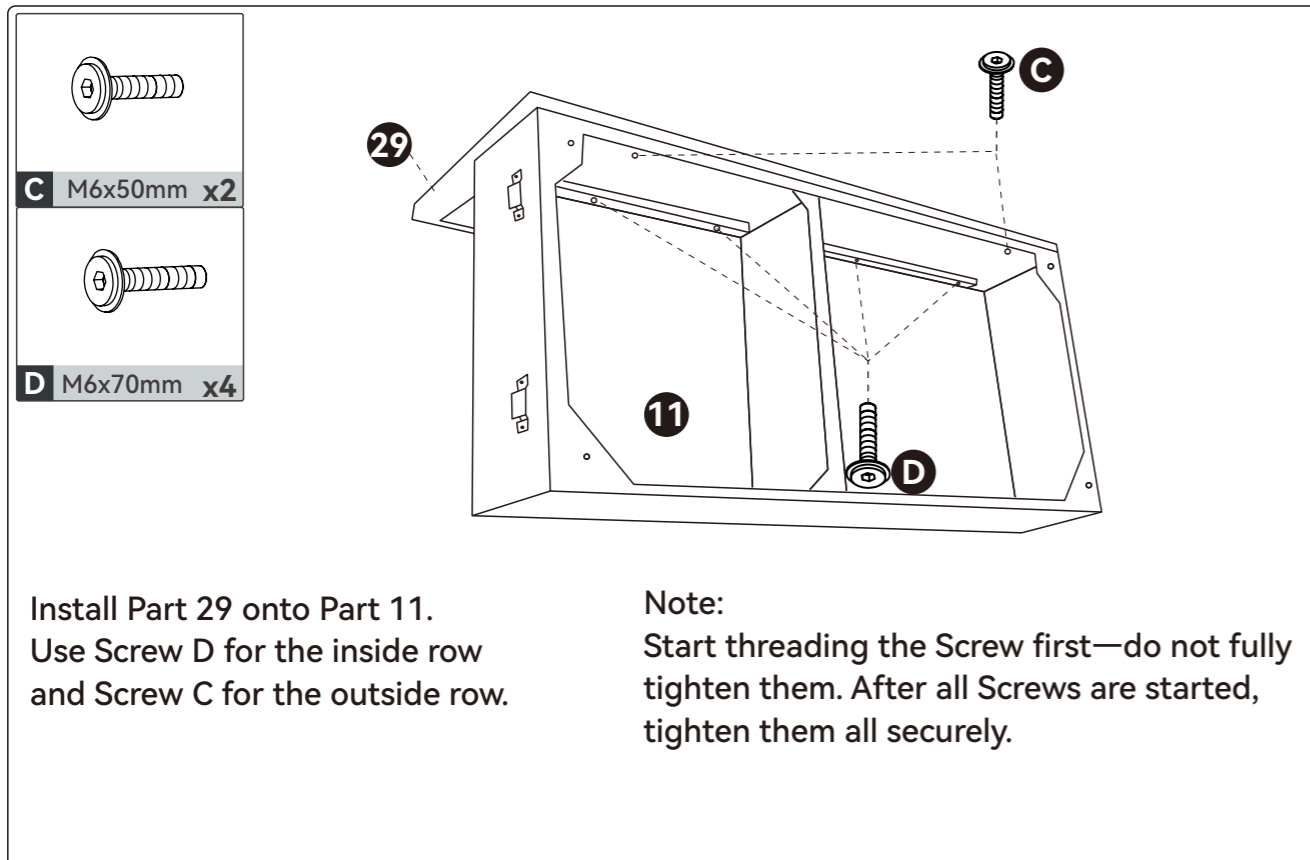
Insert Part 24 onto Part 12.

2- Seater + Chaise - Exploded View

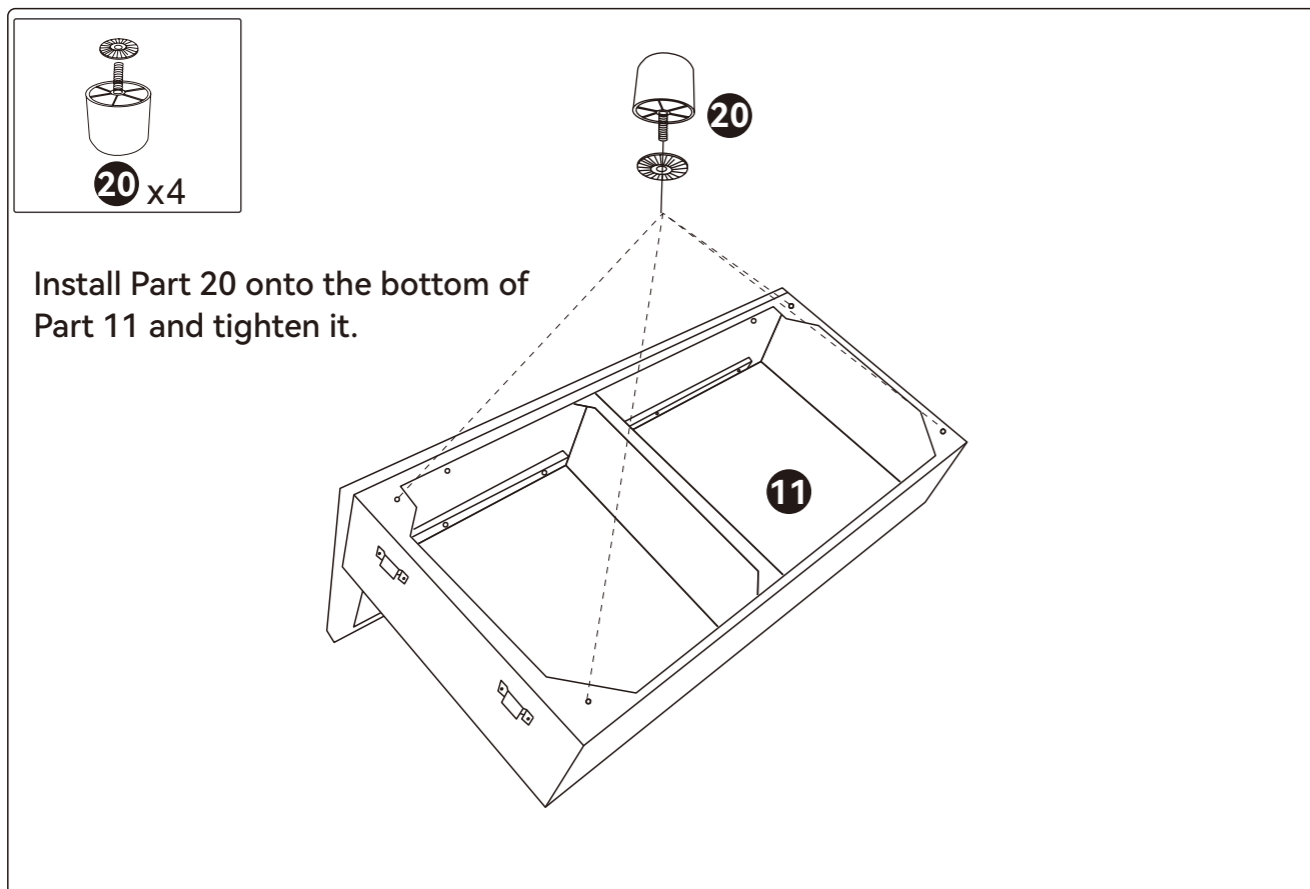


	01 x3		02 x2		03 x1		07 x2		08 x1		10 x1
	11 x1		15 x1		16 x1		17 x2		19 x2		20 x14
	21 x4		29 x1		30 x1						

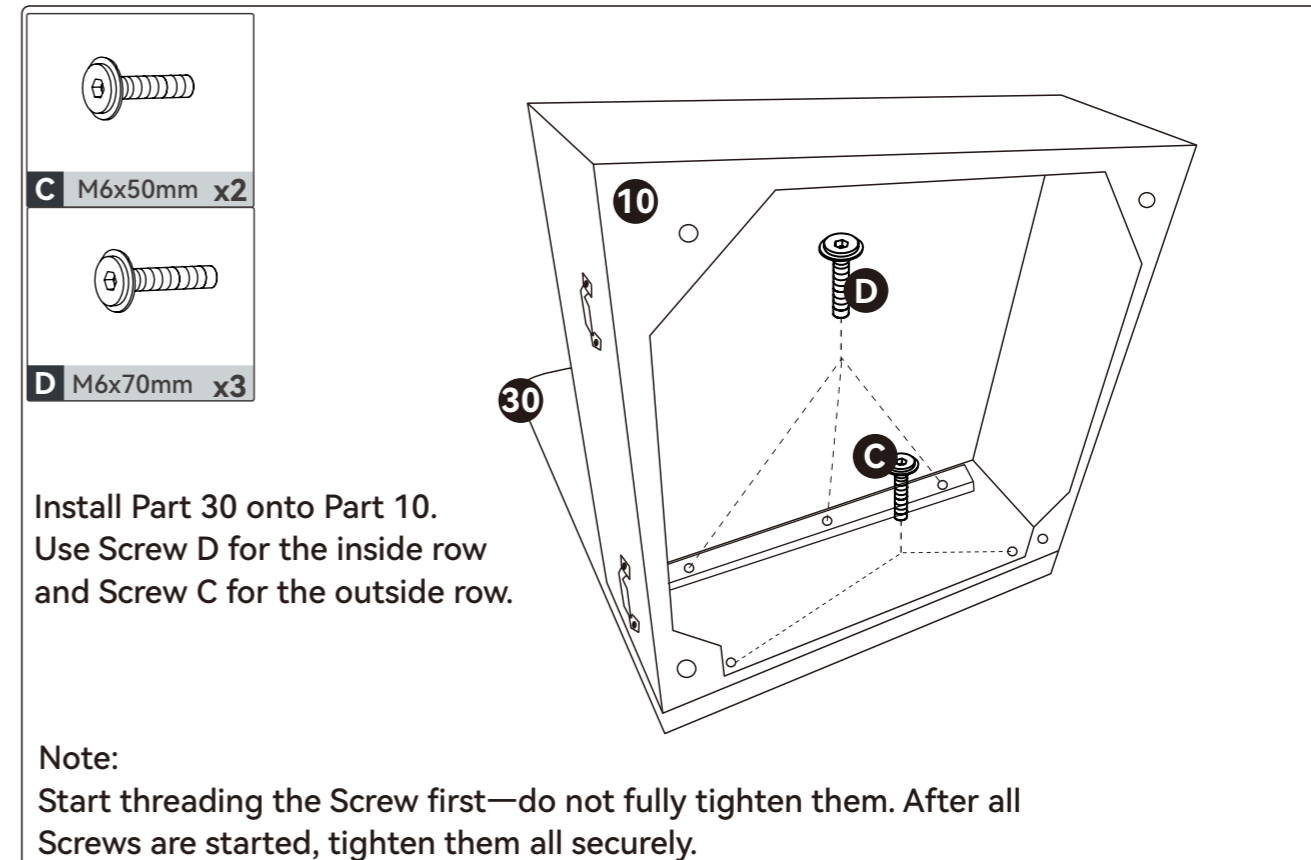
Step 13



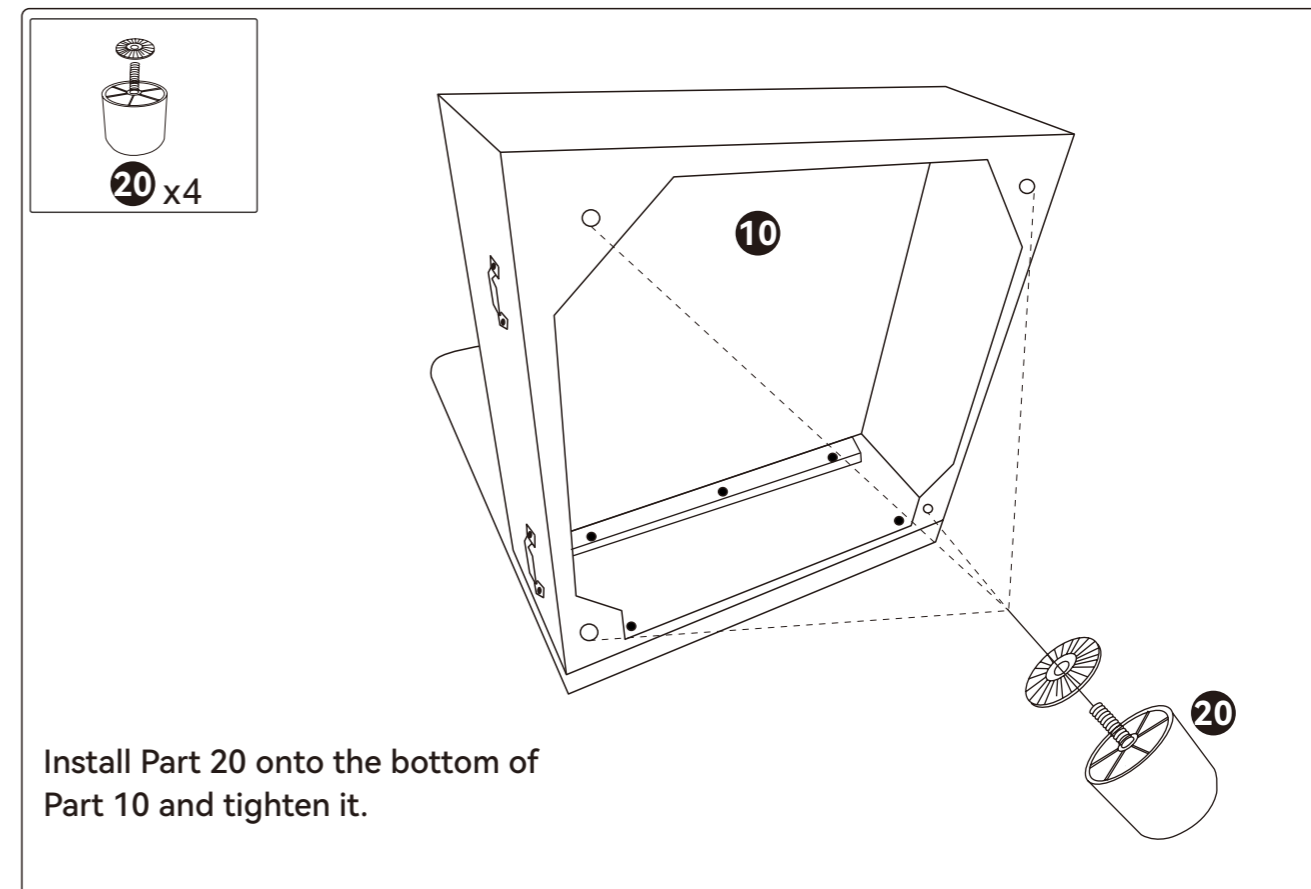
Step 14



Step 15



Step 16



Step 17

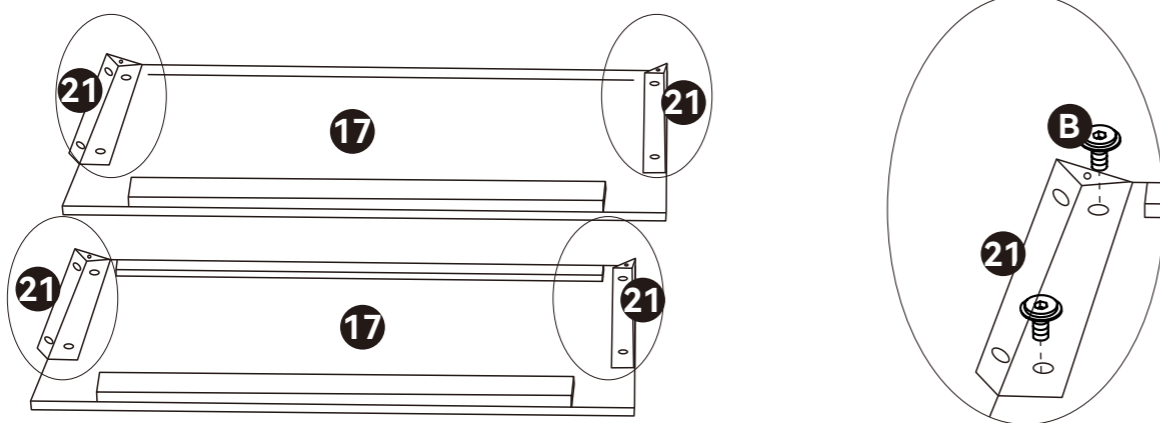


B M6x18mmx8

Attach Part 21 along the edge of Part 17 and secure it with Screw B.

Note:

1. Pay attention to the installation direction of Part 21.
2. Start threading the Screw first—do not fully tighten them. After all Screws are started, tighten them all securely.
3. When installing part 21, align its side flush with the short sides of part 17.



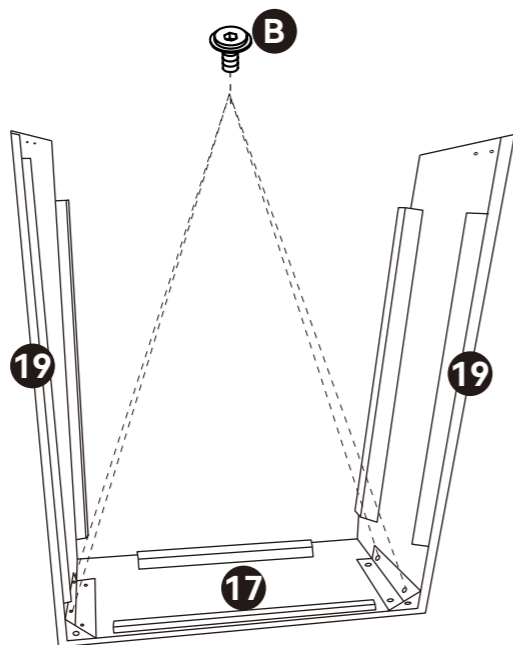
Step 18



B M6x18mmx4

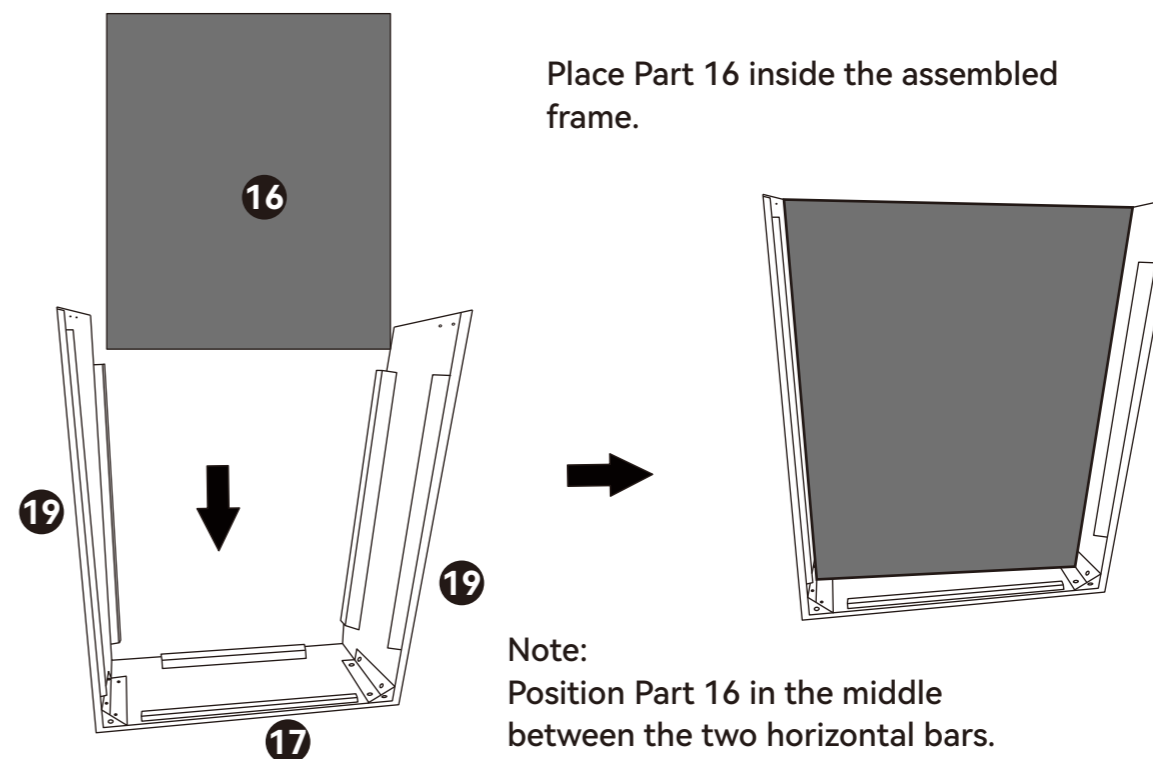
Assemble Parts 17 and 19 together, and secure them with Screw B.

Note:
Start threading the Screw first—do not fully tighten them. After all Screws are started, tighten them all securely.



Step 19

Place Part 16 inside the assembled frame.



Note:
Position Part 16 in the middle between the two horizontal bars.

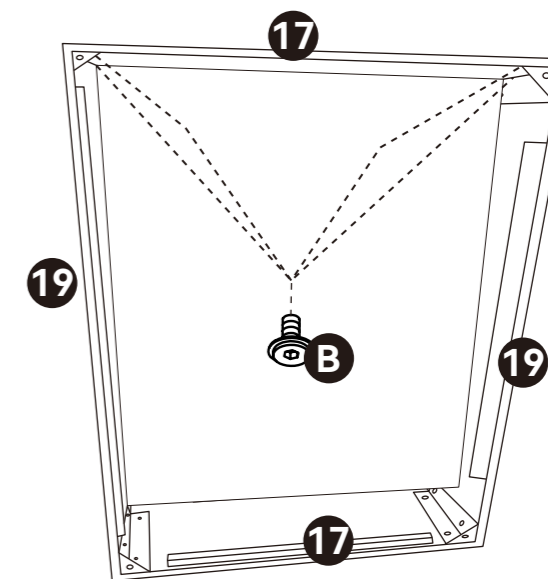
Step 20



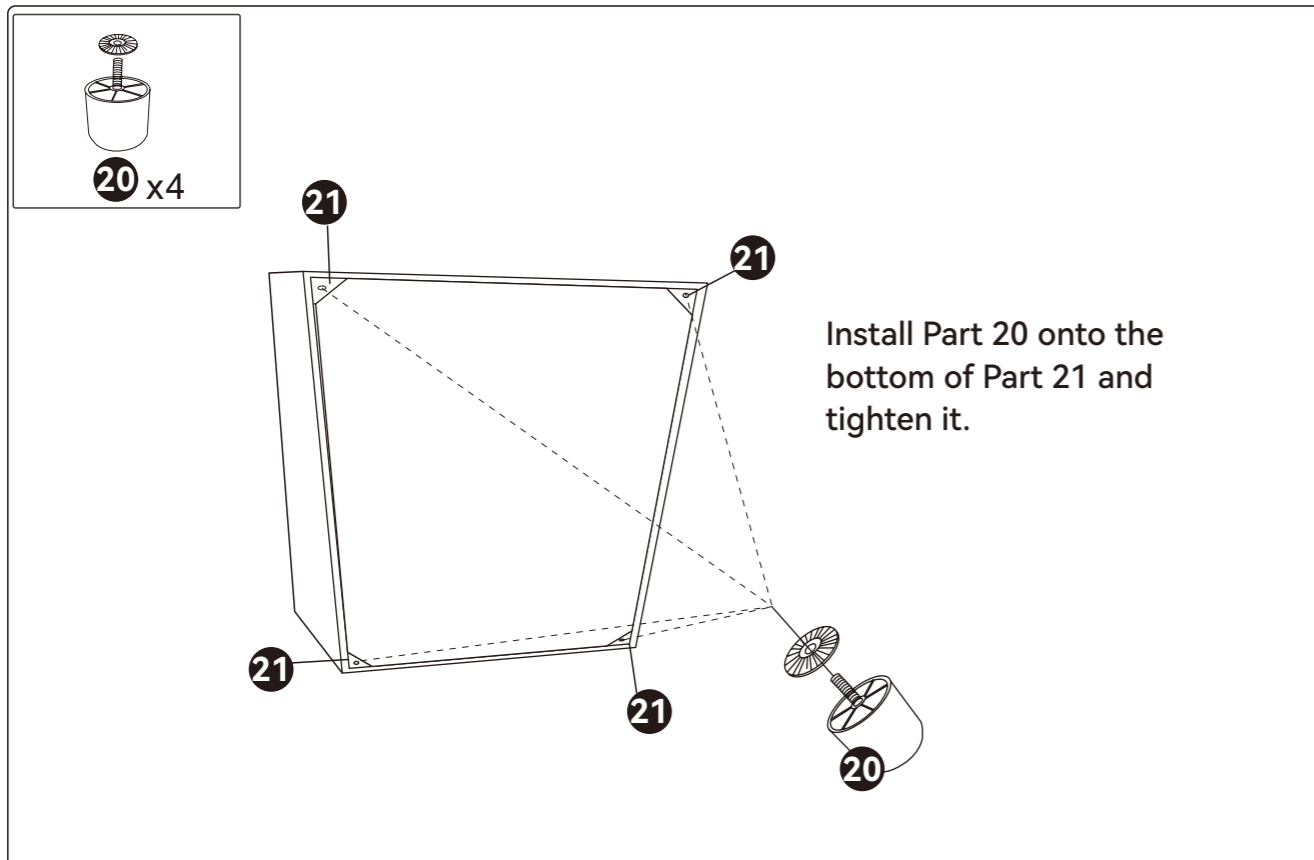
B M6x18mmx4

Install Part 17 onto the assembled frame and secure it with Screw B.

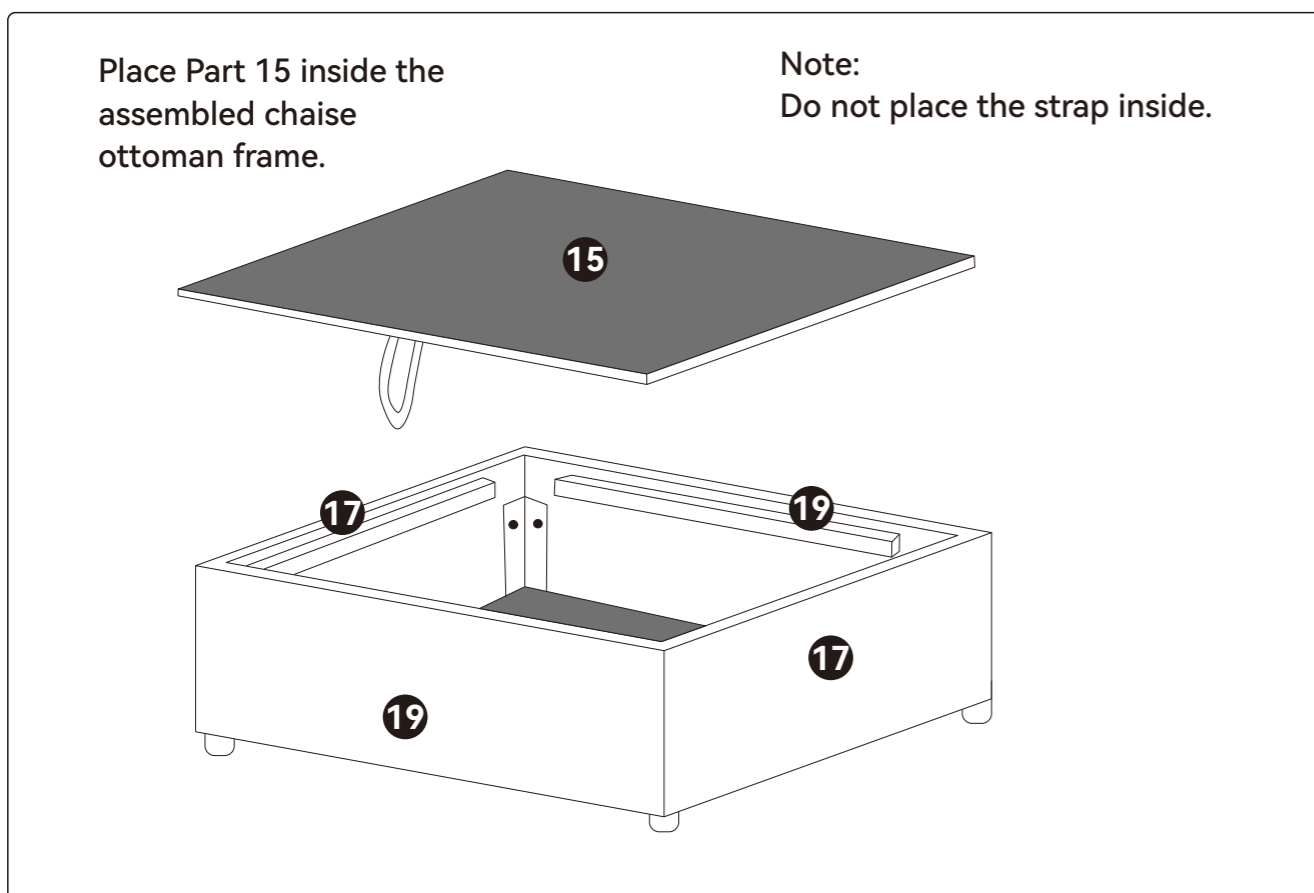
Note:
Start threading the Screw first—do not fully tighten them. After all Screws are started, tighten them all securely.



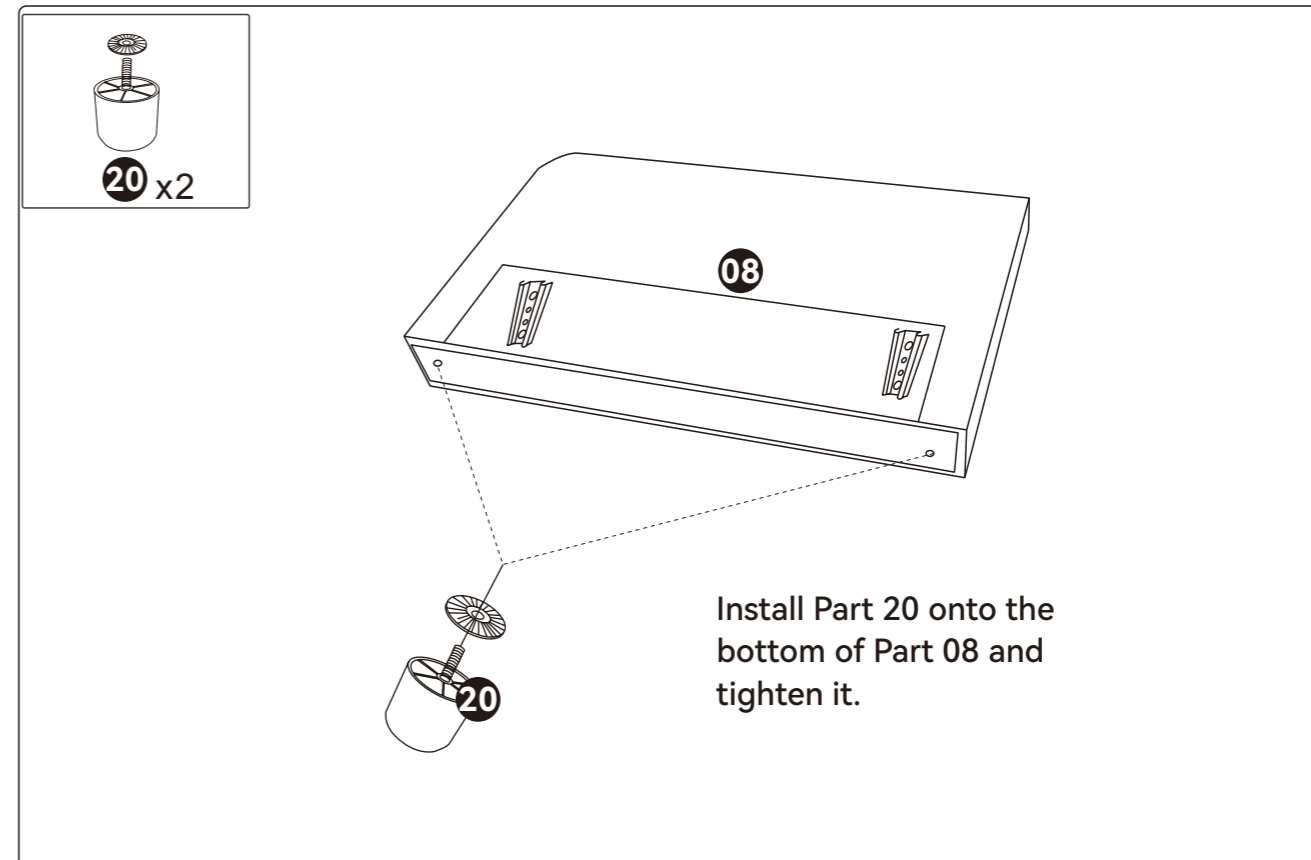
Step 21



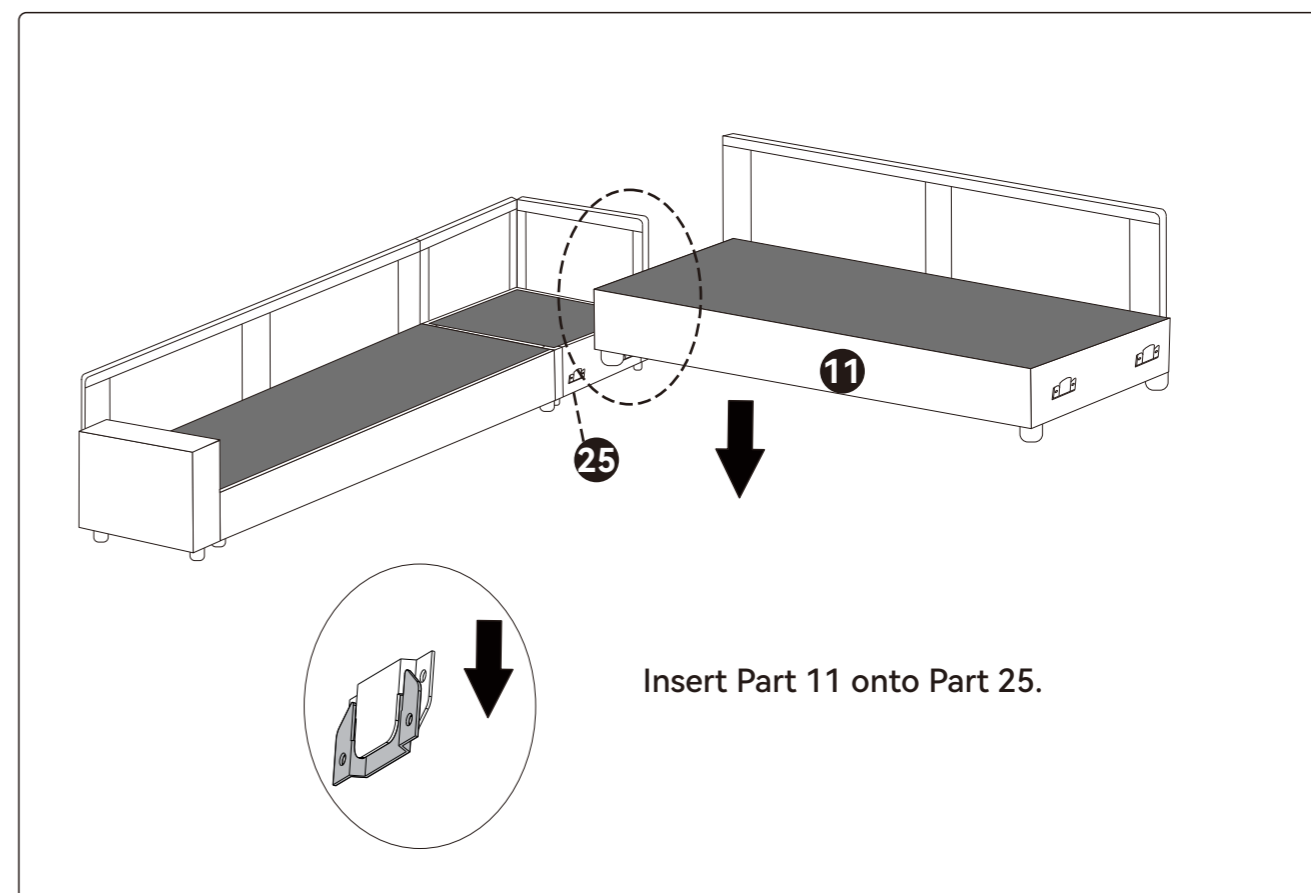
Step 22



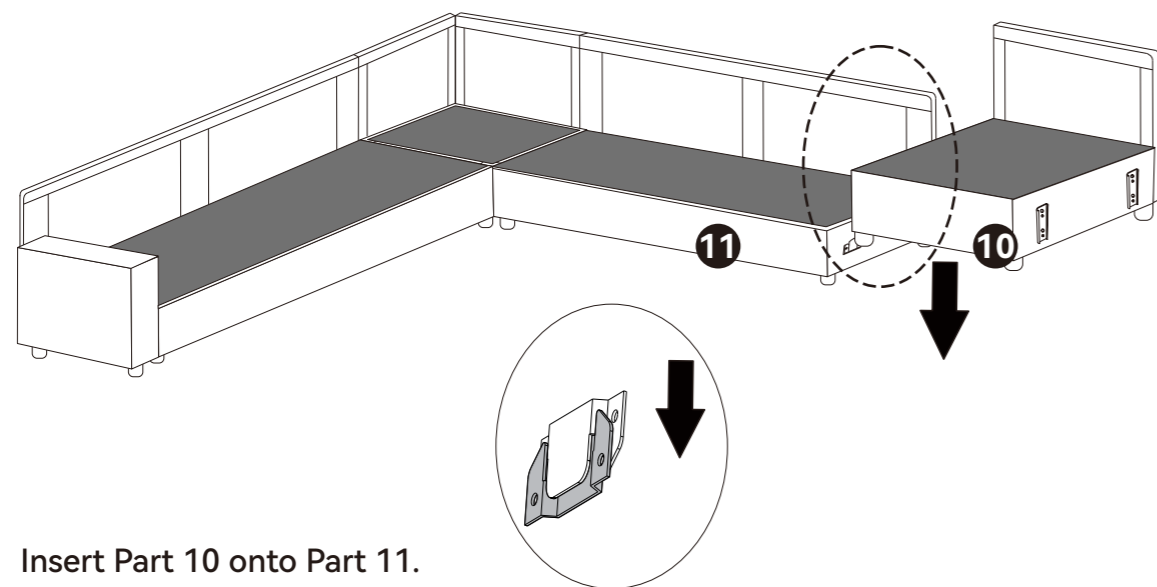
Step 23



Step 24



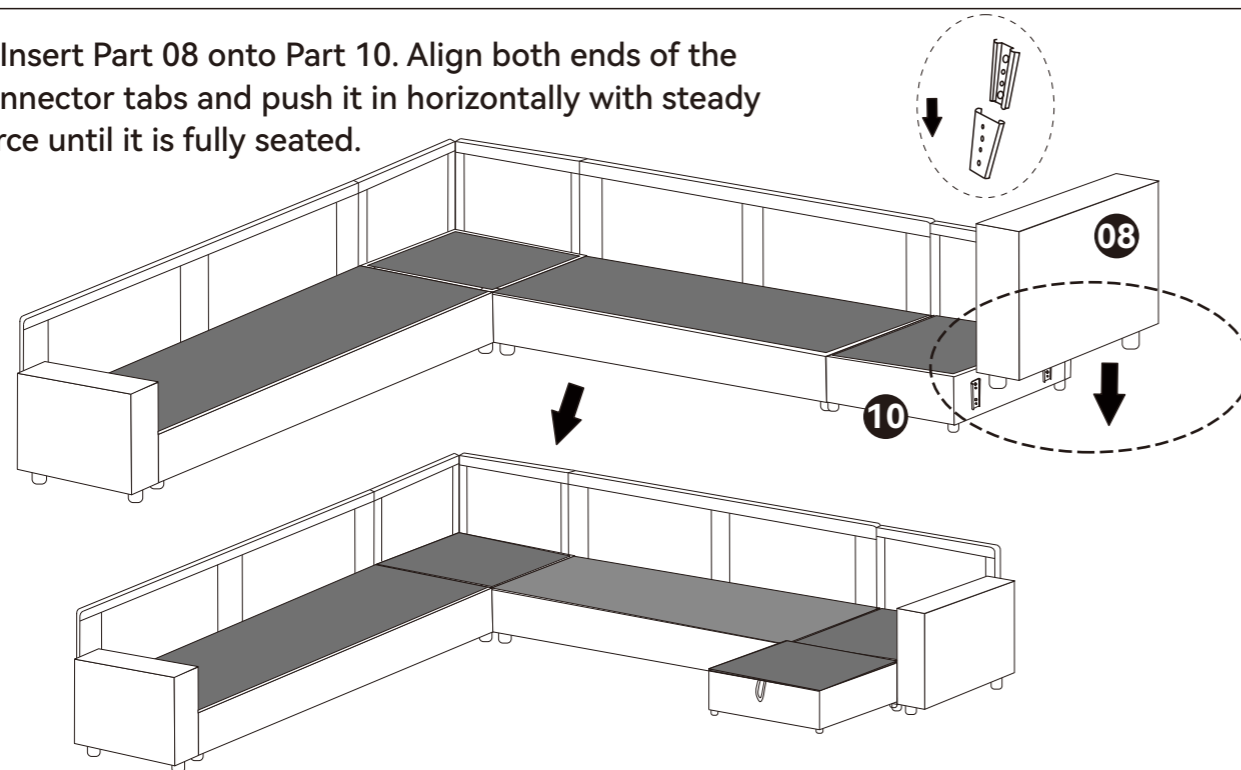
Step 25



Insert Part 10 onto Part 11.

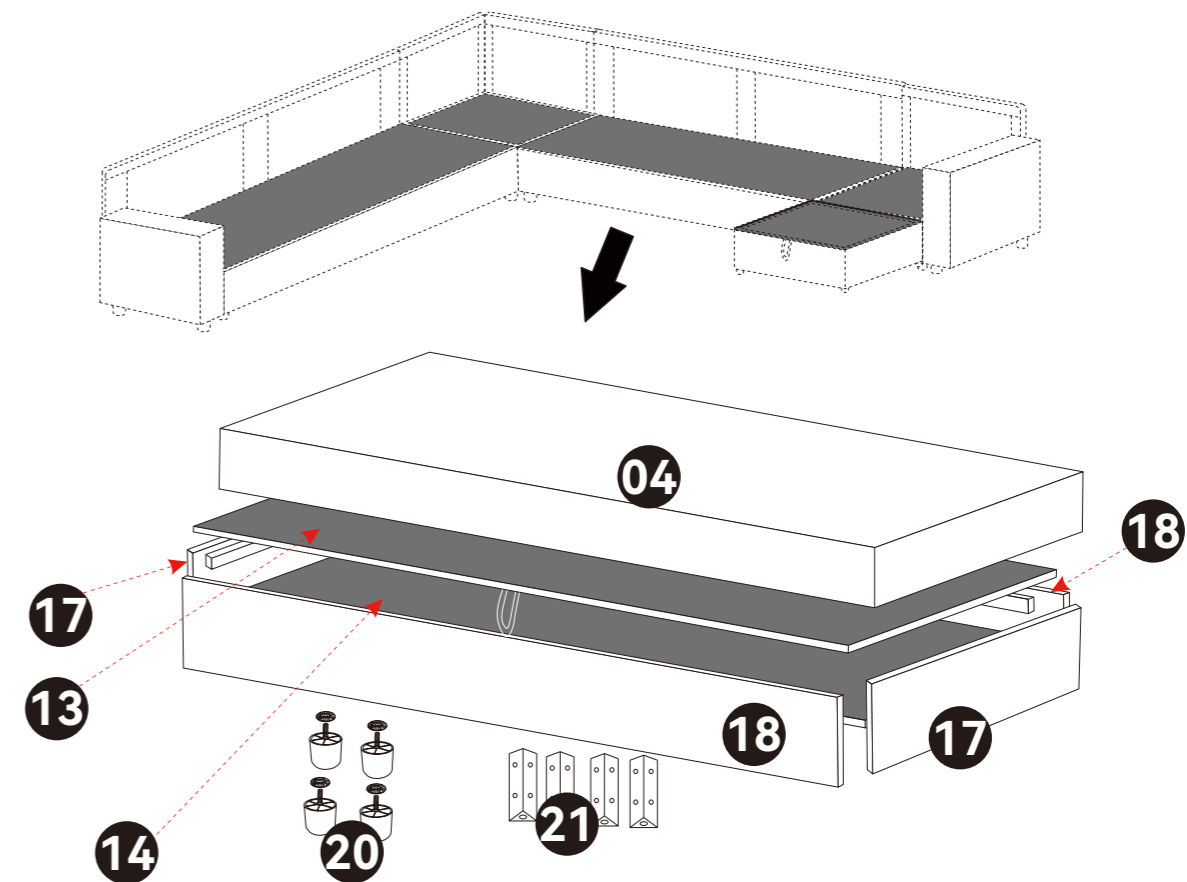
Step 26

1. Insert Part 08 onto Part 10. Align both ends of the connector tabs and push it in horizontally with steady force until it is fully seated.



2. Place the assembled chaise ottoman in front of the chaise seat.

Ottoman - Exploded View



	04 x1	13 x1	14 x1	17 x2	18 x1	20 x4
21 x4						

Step 27

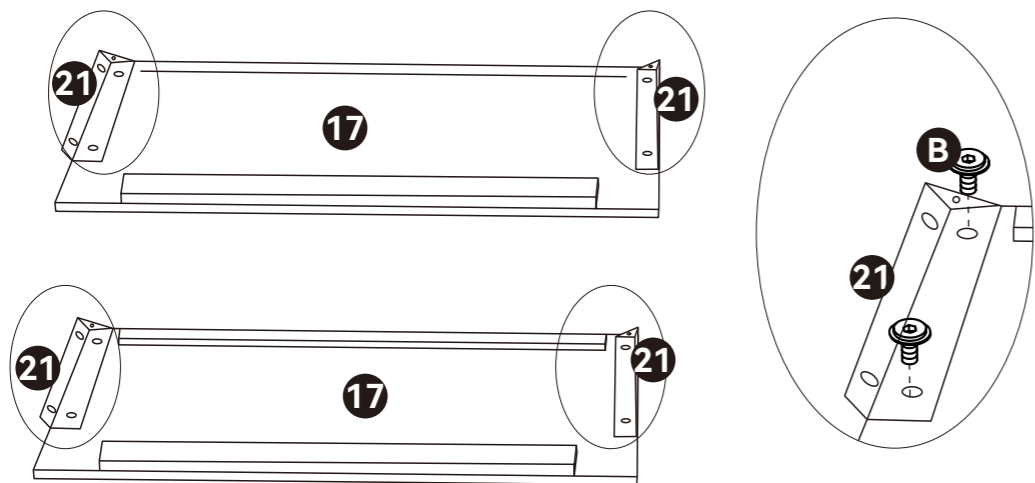


B M6x18mmx8

Attach Part 21 along the edge of Part 17 and secure it with Screw B.

Note:

1. Pay attention to the installation direction of Part 21.
2. Start threading the Screw first—do not fully tighten them. After all Screws are started, tighten them all securely.
3. When installing part 21, align its side flush with the short sides of part 17.

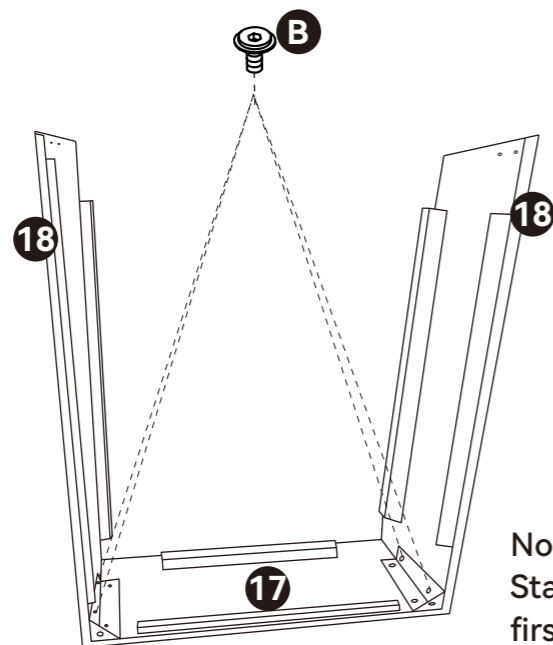


Step 28



B M6x18mmx4

Assemble Parts 17 and 18 together, and secure them with Screw B.



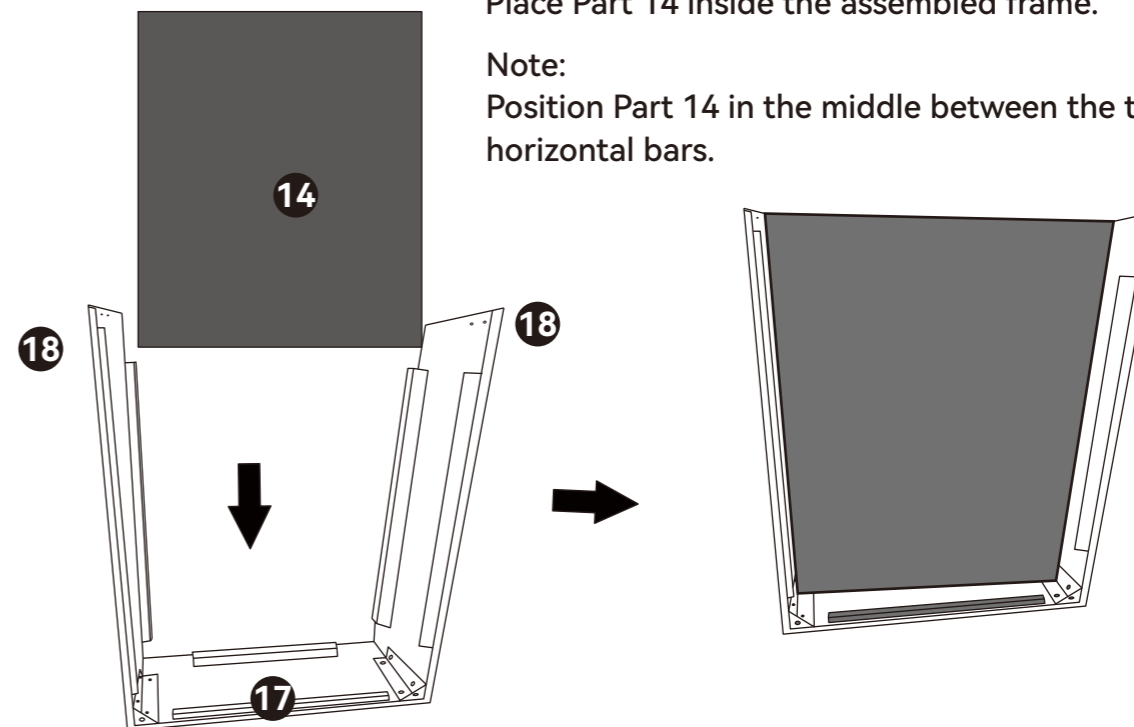
Note:
Start threading the Screw first—do not fully tighten them. After all Screws are started, tighten them all securely.

Step 29

Place Part 14 inside the assembled frame.

Note:

- Position Part 14 in the middle between the two horizontal bars.

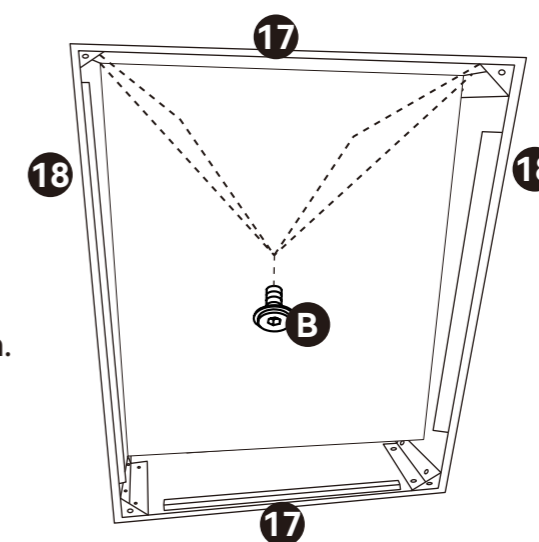


Step 30



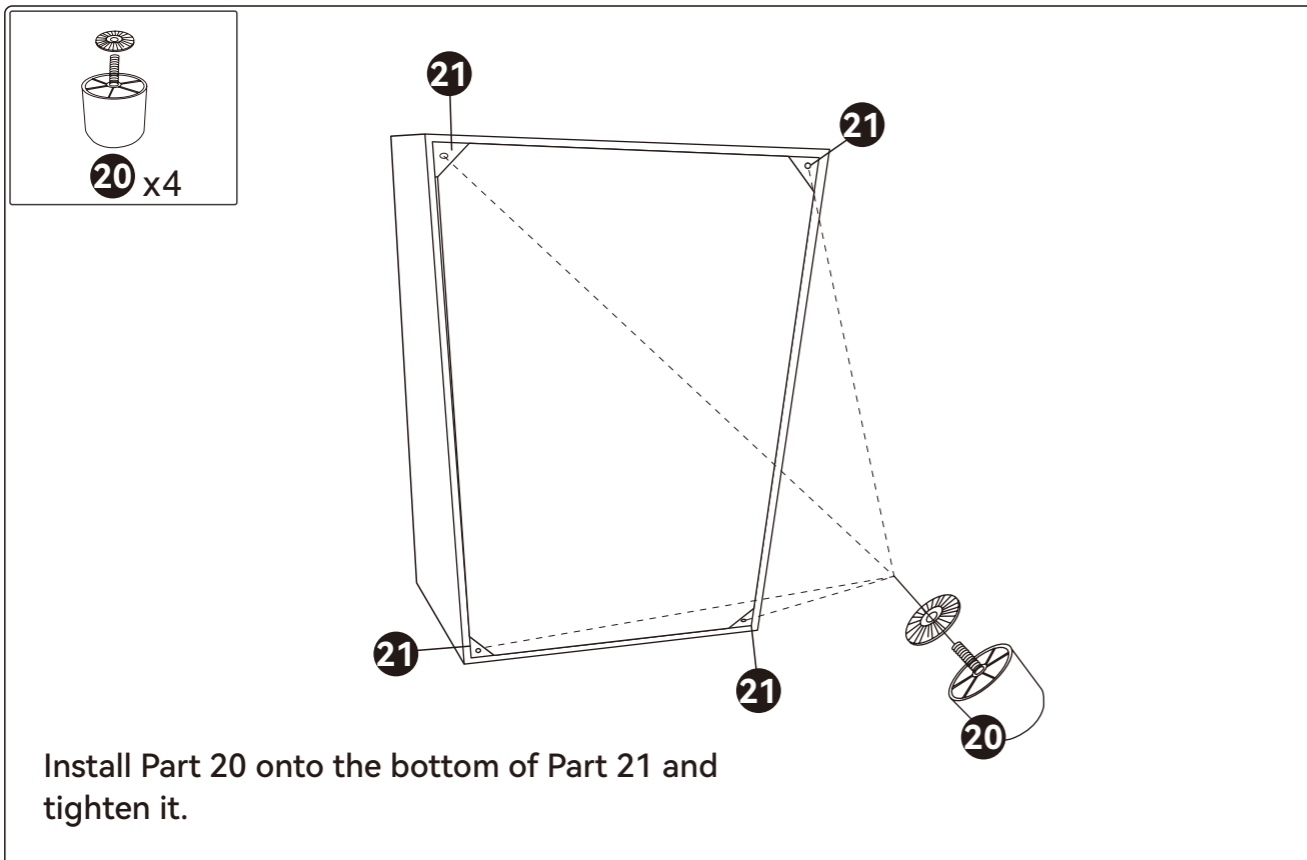
B M6x18mmx4

Install Part 17 onto the assembled frame and secure it with Screw B.

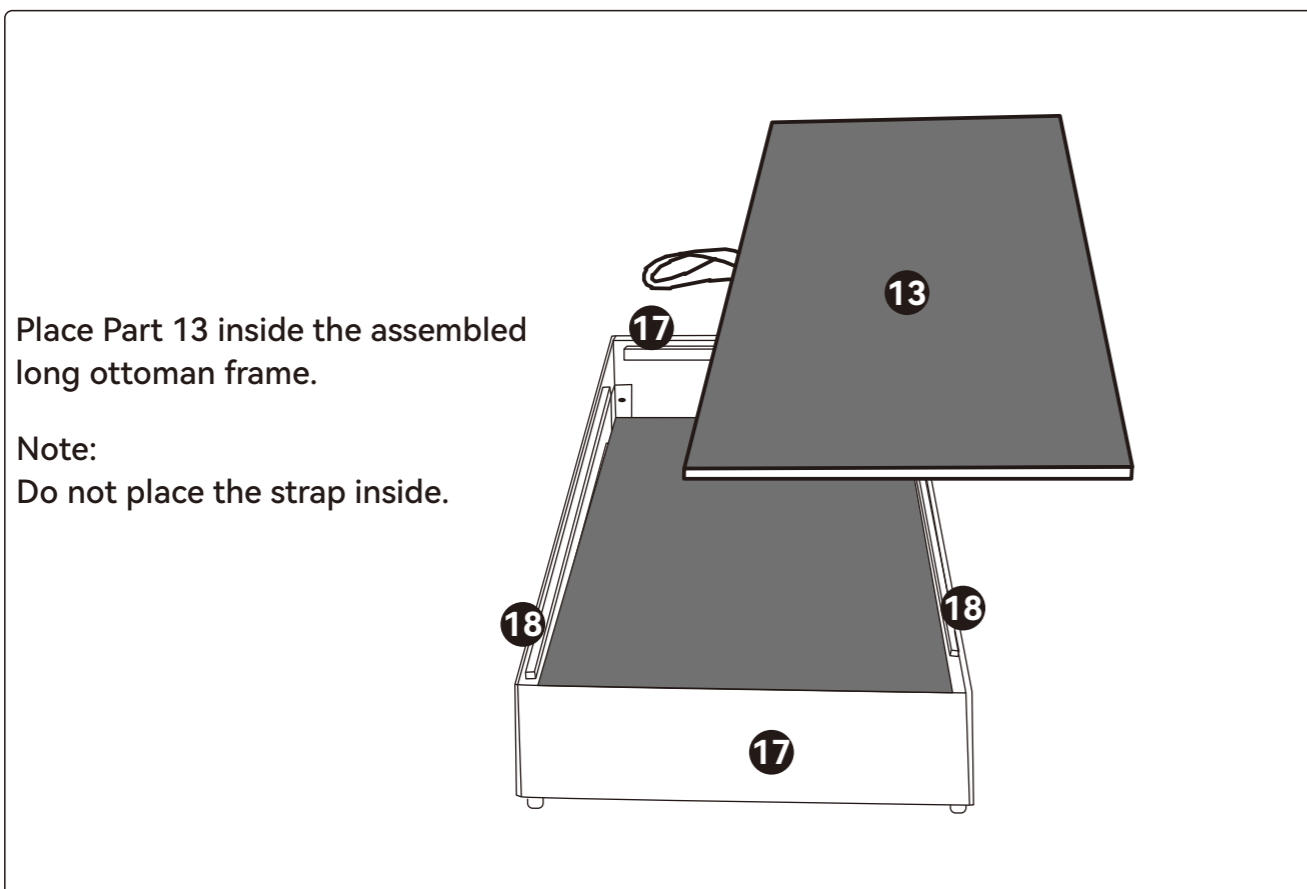


Note:
Start threading the Screw first—do not fully tighten them. After all Screws are started, tighten them all securely.

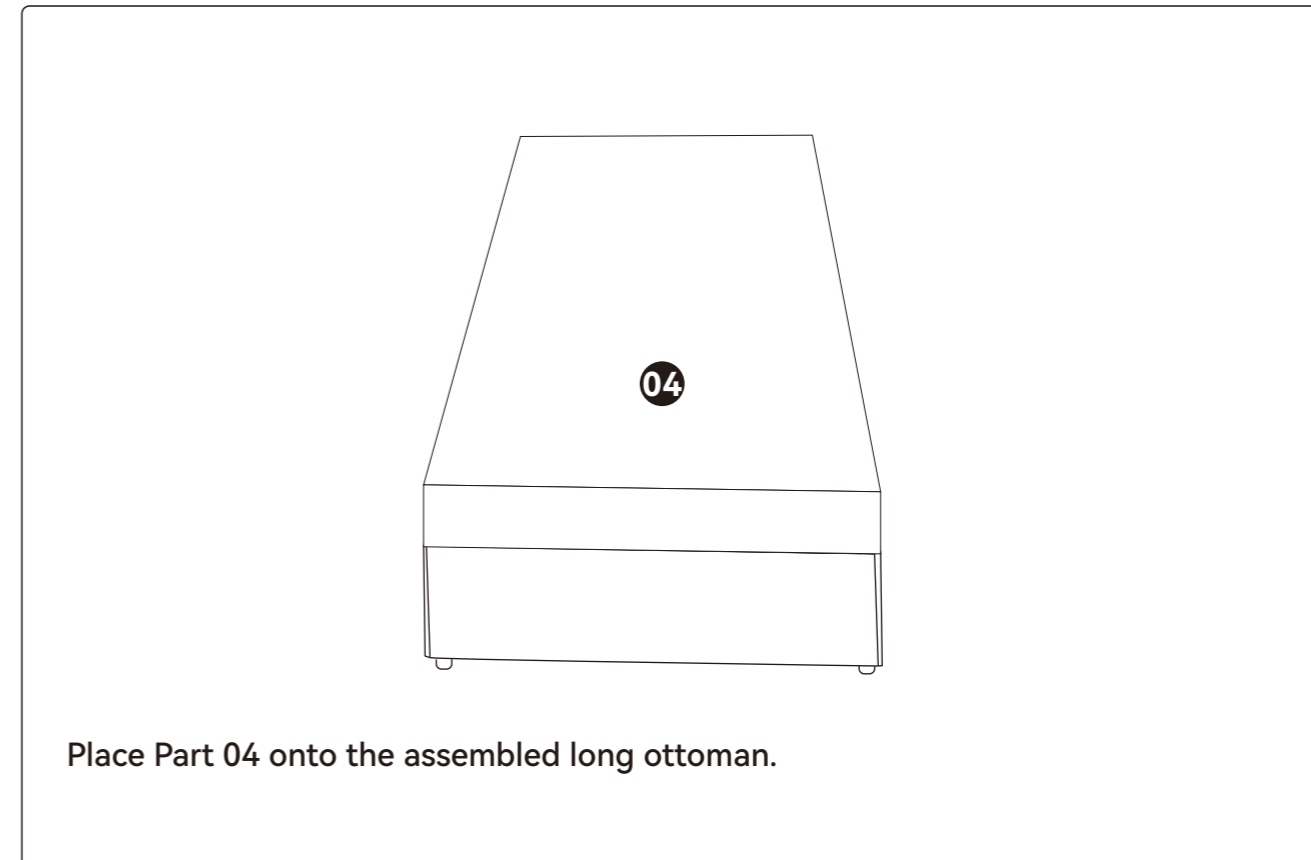
Step 31



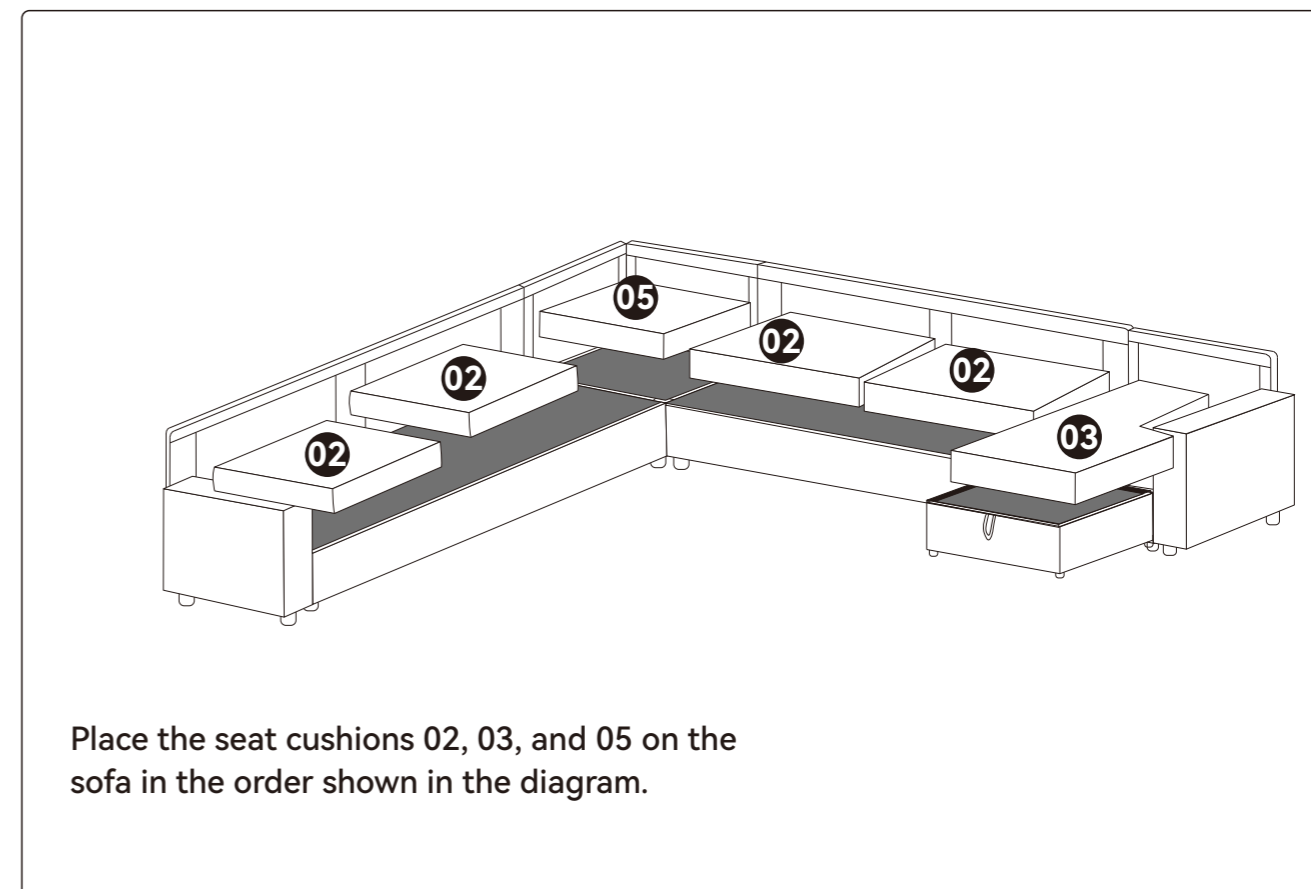
Step 32



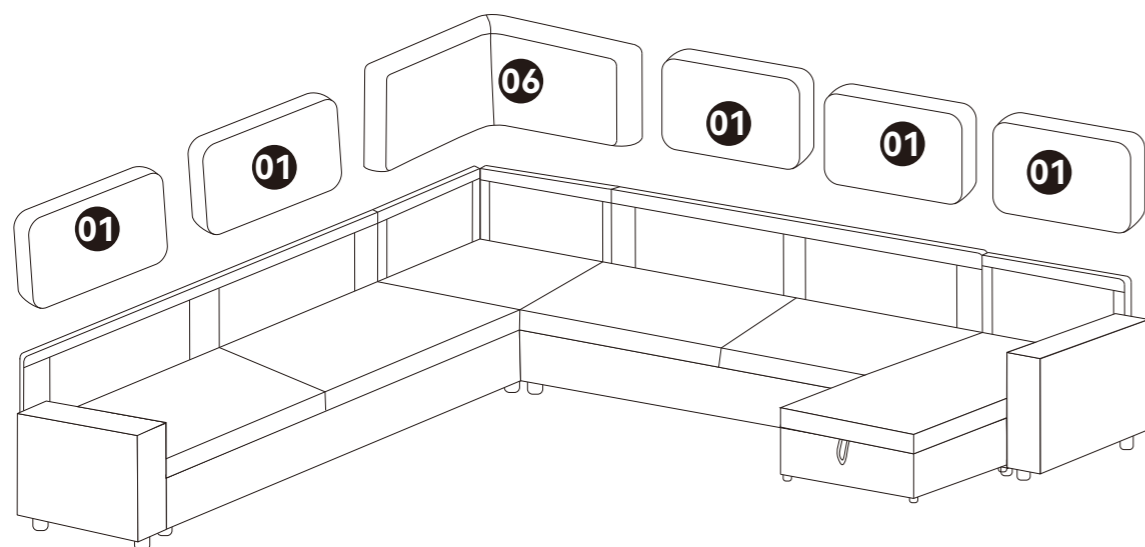
Step 33



Step 34

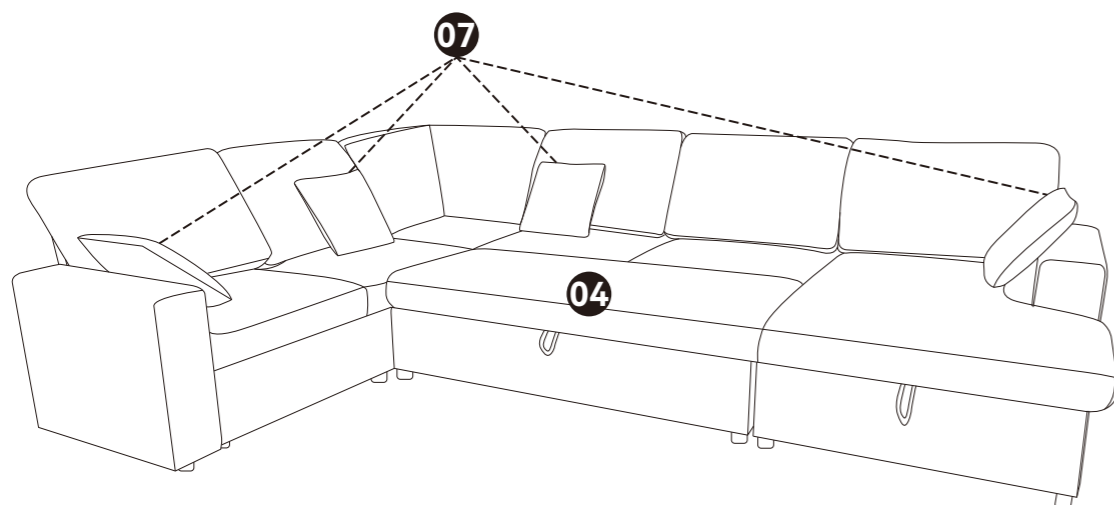


Step 35



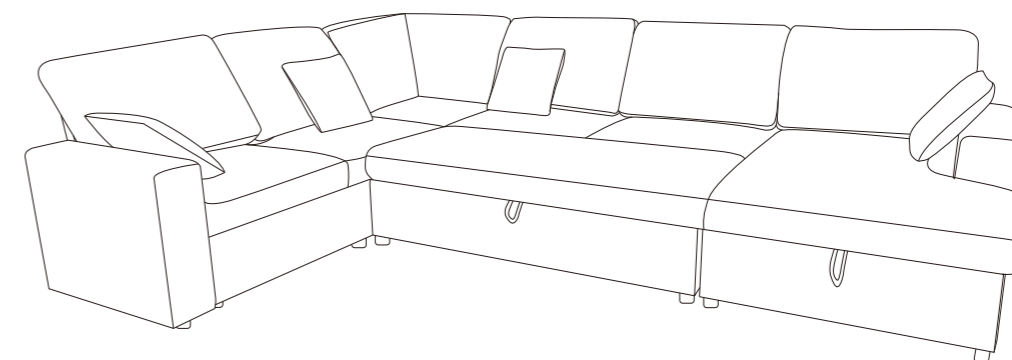
Place parts 01/06 on the sofa in the order shown in the diagram.

Step 36



1. Place part 07 on the sofa.
2. Position the 04 long ottoman. The 04 long ottoman can be placed anywhere to suit your needs.
3. Assembly complete.

Maintenance



1. Avoid direct sunlight, preferably placed in a place that can avoid sunlight, or use translucent tulle curtains to block the sun.
2. Vacuum at least once a week, paying particular attention to removing dust accumulation between fabric structures.
3. Sofa cushions are turned over once a week to evenly distribute wear.
4. If stained, use a clean cloth dipped in water to wipe. In order to avoid leaving marks, it is best to wipe from the periphery of the stain. Velvet furniture should not be dipped in water and should use a dry cleaning agent.
5. All cloth covers and bushings should be dry-cleaned, not washed, not bleached.
6. If you find loose thread, do not tear it with your hand; it is best to cut the thread neatly with scissors.