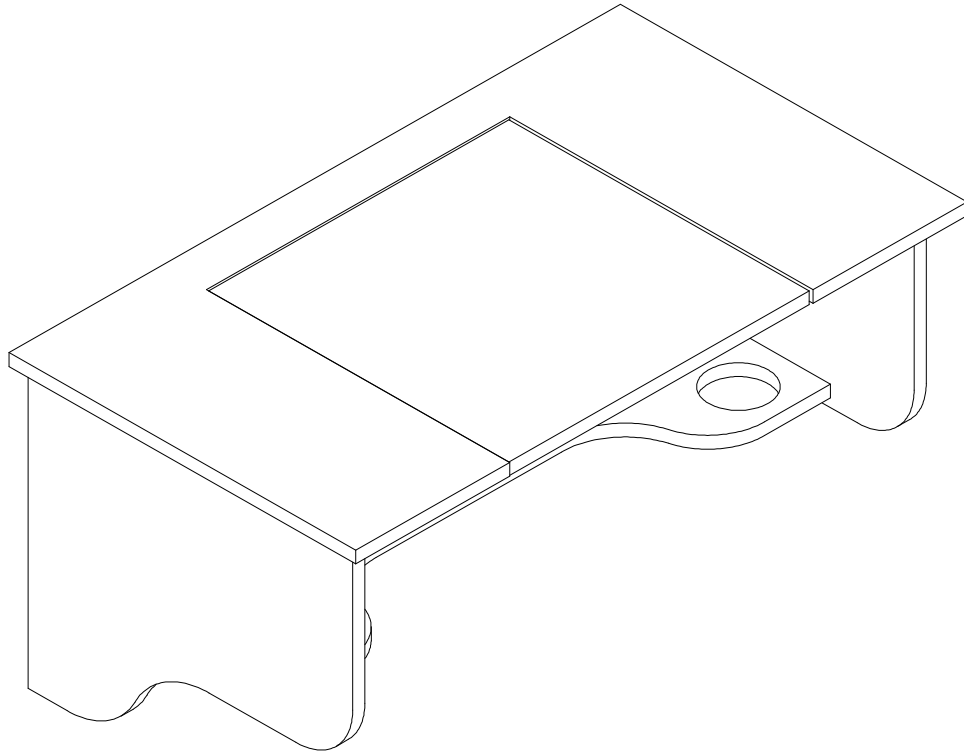
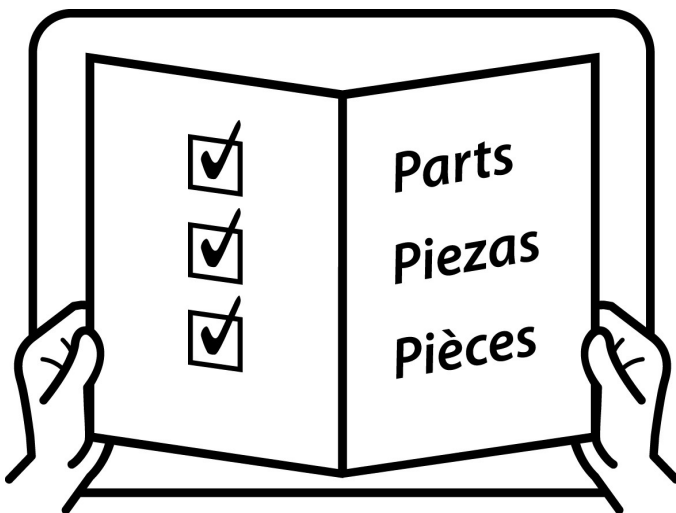
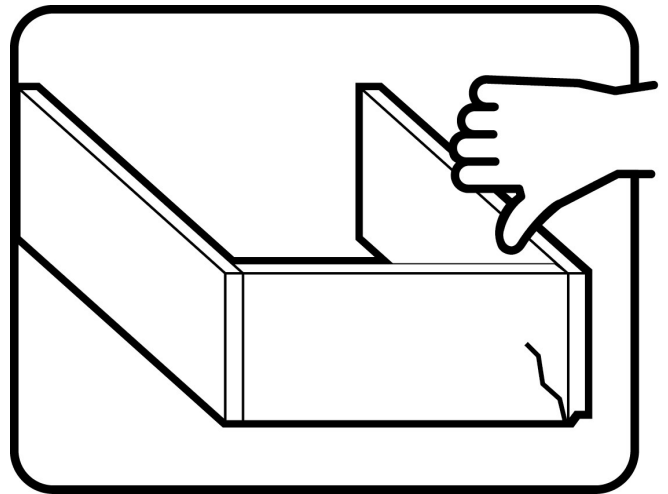
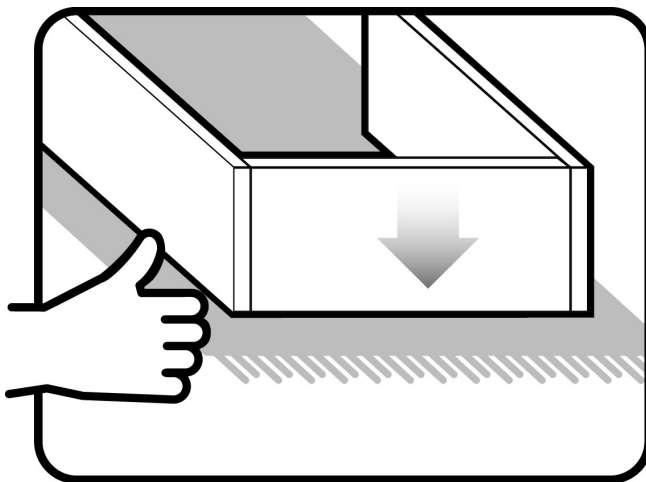
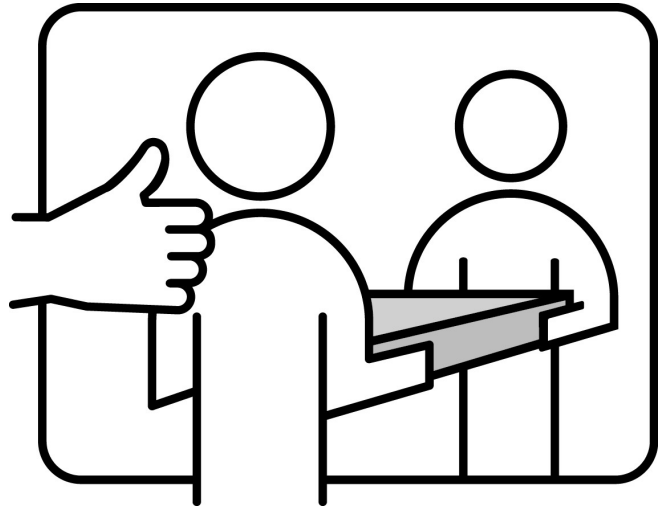
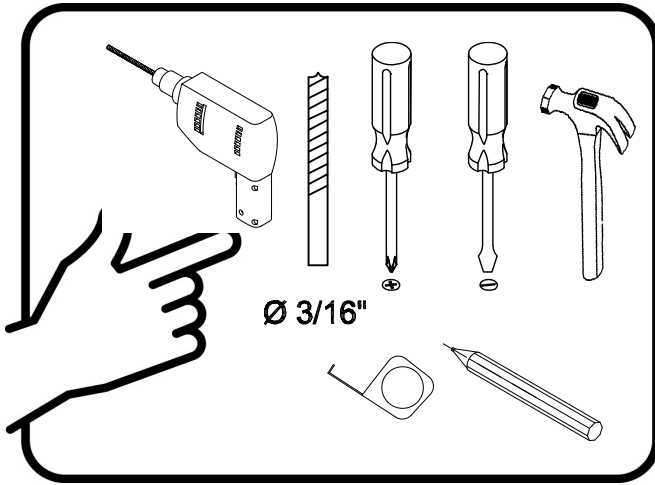


# Assembly | Asambla | Assemblage

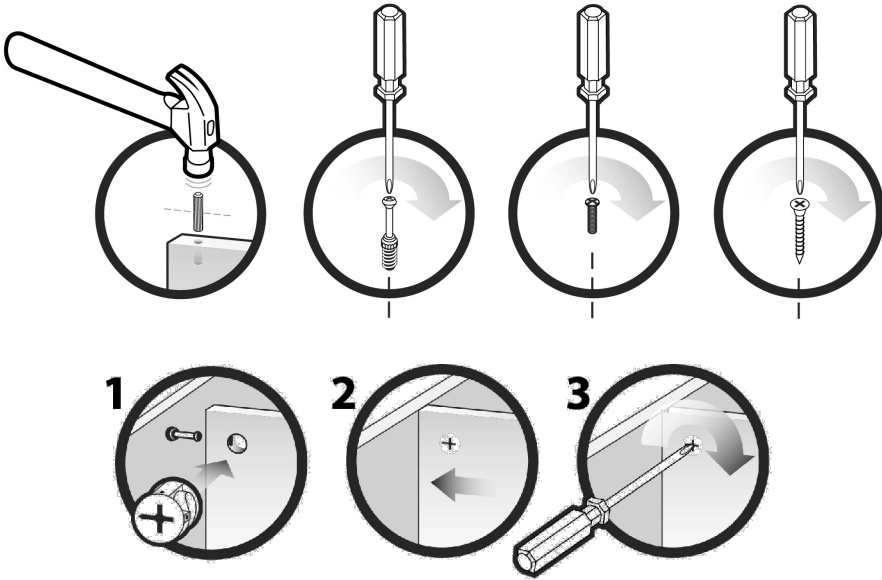


# Assembly | Asambla | Assemblage

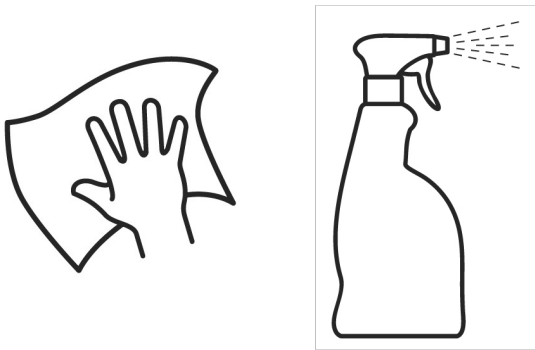


# Assembly | Asamblea | Assemblage

Techniques | Técnicas | Techniques



Care | Cuidado | Entretien



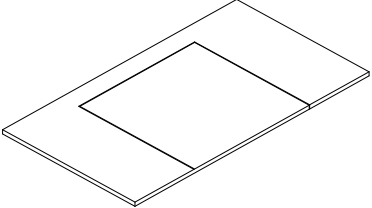
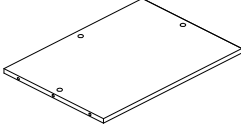
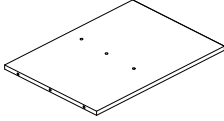
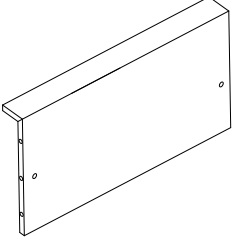
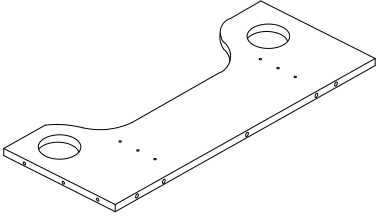
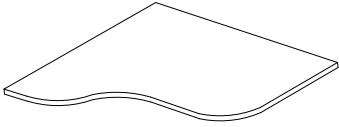
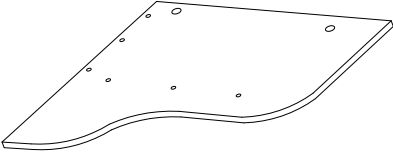
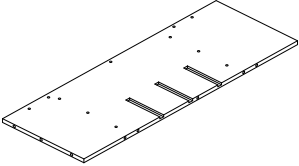
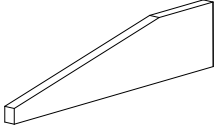
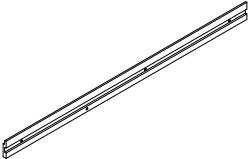
Safety | Seguridad | Sécurité





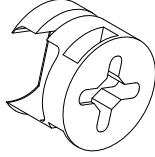
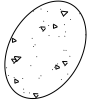
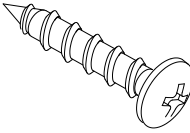
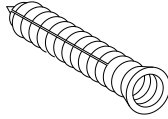
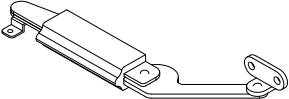

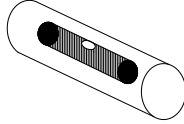
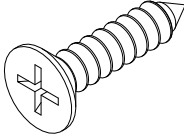
Note! | ¡Nota! | Remarque!



# Assembly | Asamblea | Assemblage

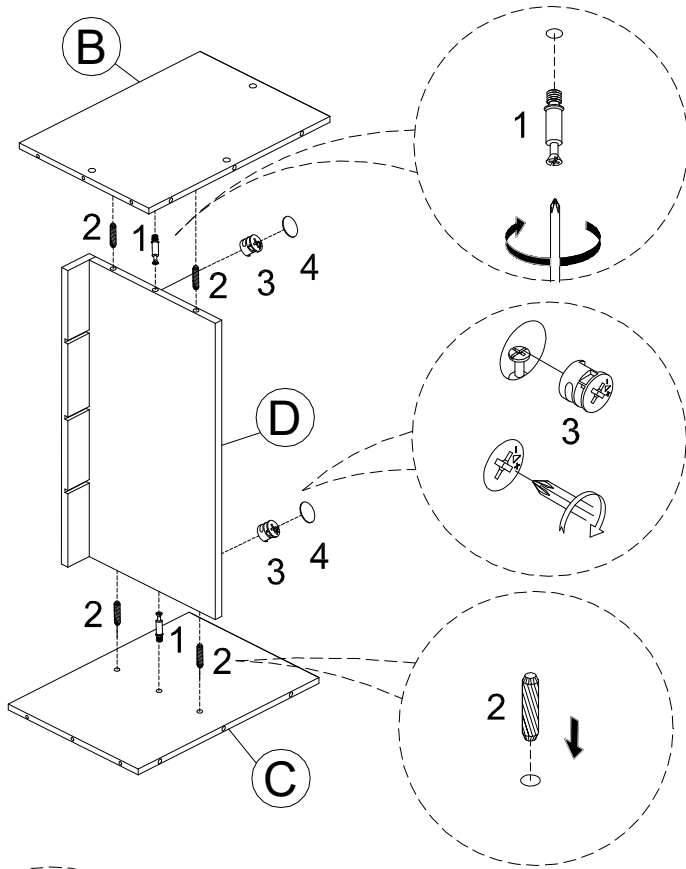
<p>A</p> <p>Quantity of 1</p>  <p>Top Panel</p>	<p>B</p> <p>Quantity of 1</p>  <p>Left middle panel</p>	<p>C</p> <p>Quantity of 1</p>  <p>Right middle panel</p>
<p>D</p> <p>Quantity of 1</p>  <p>Middle shelf panel</p>	<p>E</p> <p>Quantity of 1</p>  <p>Bottom panel</p>	<p>F</p> <p>Quantity of 1</p>  <p>Left side panel</p>
<p>G</p> <p>Quantity of 1</p>  <p>Right side panel</p>	<p>H</p> <p>Quantity of 1</p>  <p>Back panel</p>	<p>I</p> <p>Quantity of 3</p>  <p>Partition panel</p>
<p>J</p> <p>Quantity of 1</p>  <p>Hanging bar</p>		

# Assembly | Asamblea | Assemblage

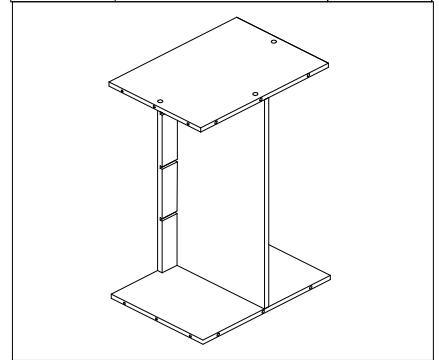
<p>1</p> <p>Quantity of 26</p>  <p>Cam bolt</p>	<p>2</p> <p>Quantity of 28</p>  <p>Wood dowel <math>\varnothing 5/16</math>"x1-1/4"L</p>	<p>3</p> <p>Quantity of 26</p>  <p>Cam lock</p>
<p>4</p> <p>Quantity of 26</p>  <p>Cover</p>	<p>5</p> <p>Quantity of 4</p>  <p>Wood screws <math>\varnothing 1/4</math>"x1-1/2"L</p>	<p>6</p> <p>Quantity of 3</p>  <p>Wall anchors</p>
<p>7</p> <p>Quantity of 1</p>  <p>Right hinge</p>	<p>8</p> <p>Quantity of 1</p>  <p>Left hinge</p>	<p>9</p> <p>Quantity of 1</p>  <p>Level</p>
<p>4</p> <p>Quantity of 8</p>  <p>wood screw <math>\varnothing 1/8</math>"x1/2"L</p>		

# Assembly | Asambla | Assemblage

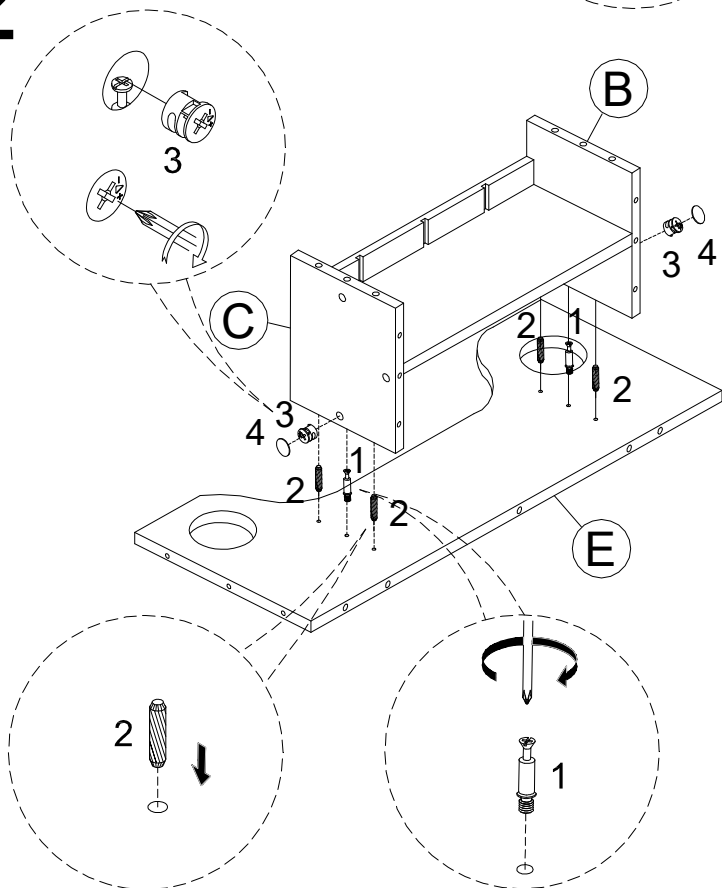
1



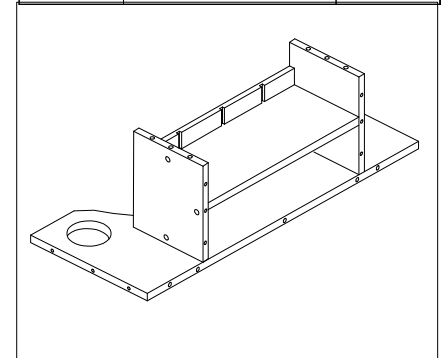
1		x 2
2		x 4
3		x 2
4		x 2



2

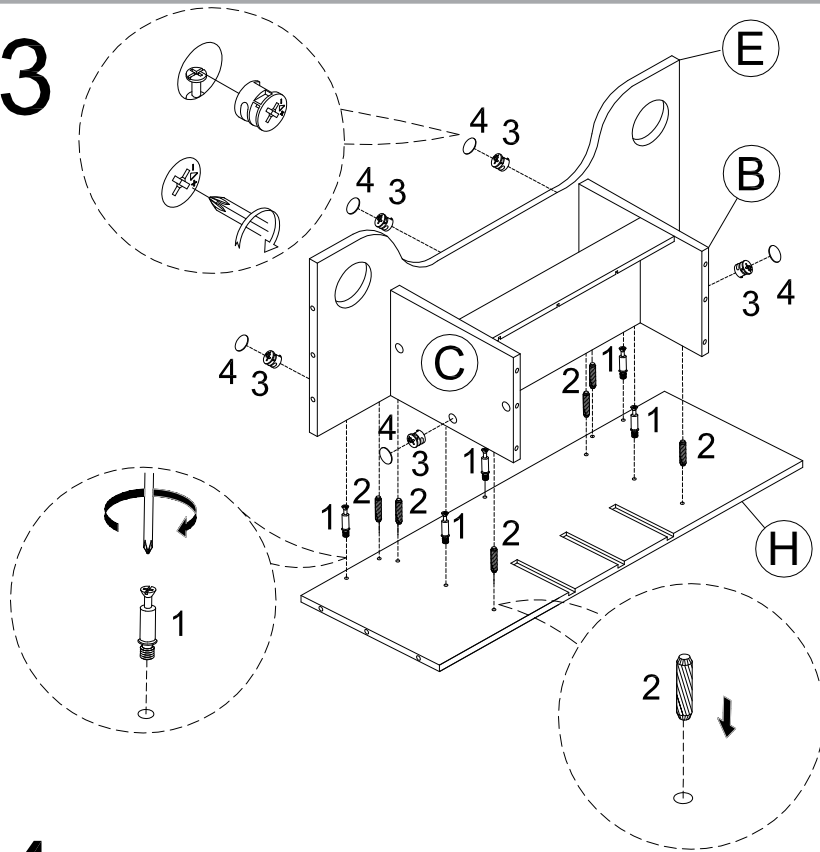


1		x 2
2		x 4
3		x 2
4		x 2

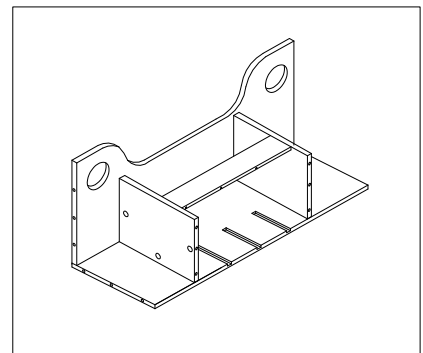


# Assembly | Asambla | Assemblage

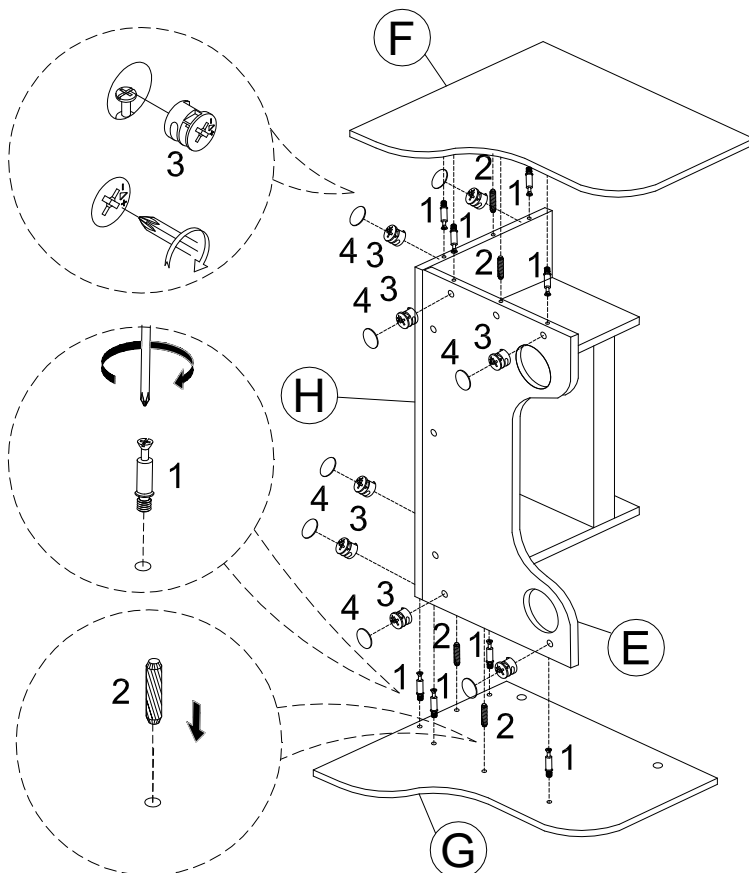
3



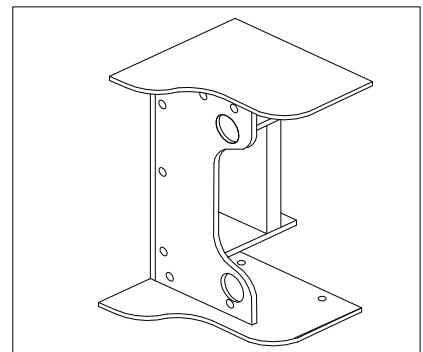
1		x 5
2		x 6
3		x 5
4		x 5



4

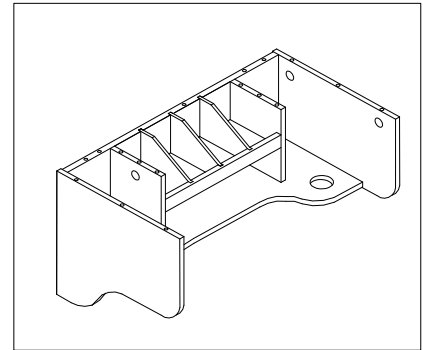
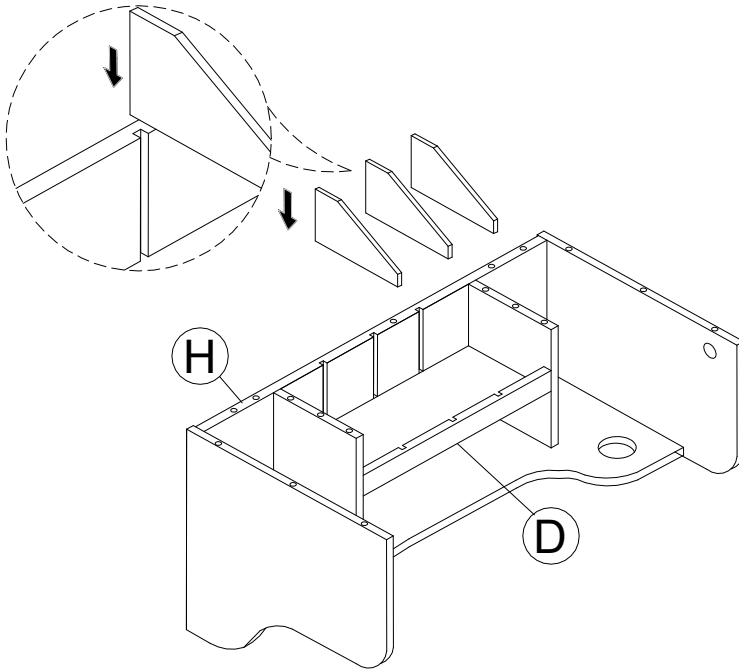


1		x 8
2		x 4
3		x 8
4		x 8

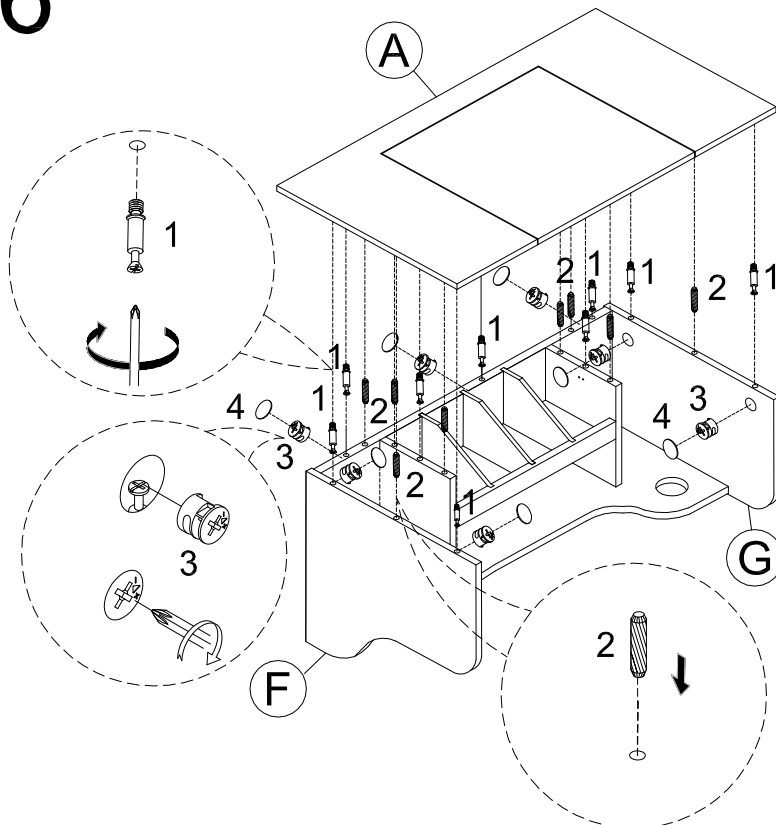


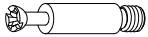



# Assembly | Asambla | Assemblage

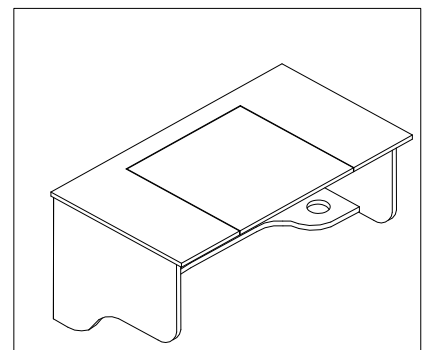
5



6

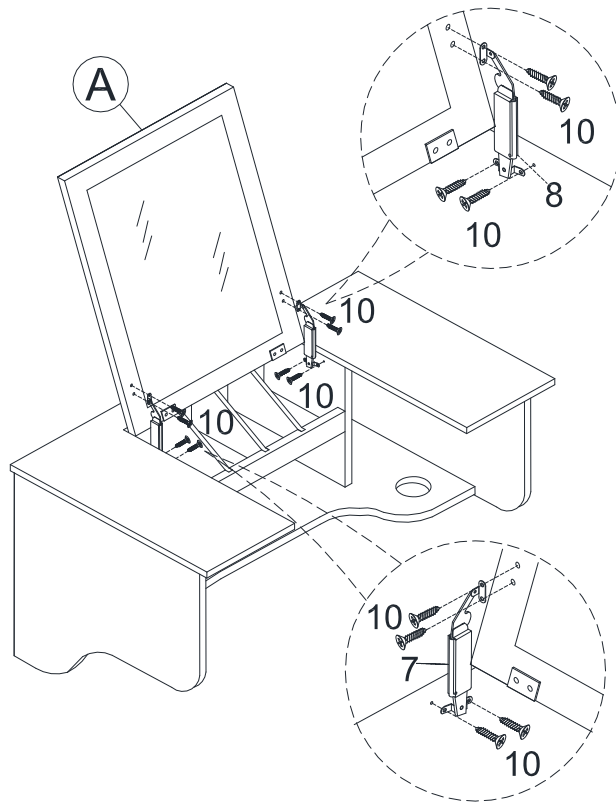


1		x 9
2		x 8
3		x 9
4		x 9

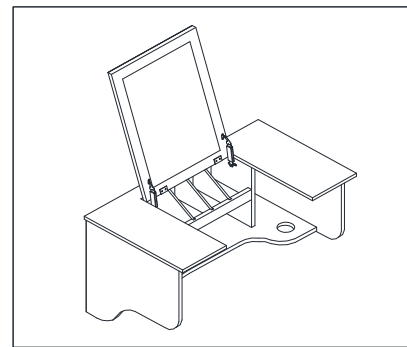


# Assembly | Asambla | Assemblage

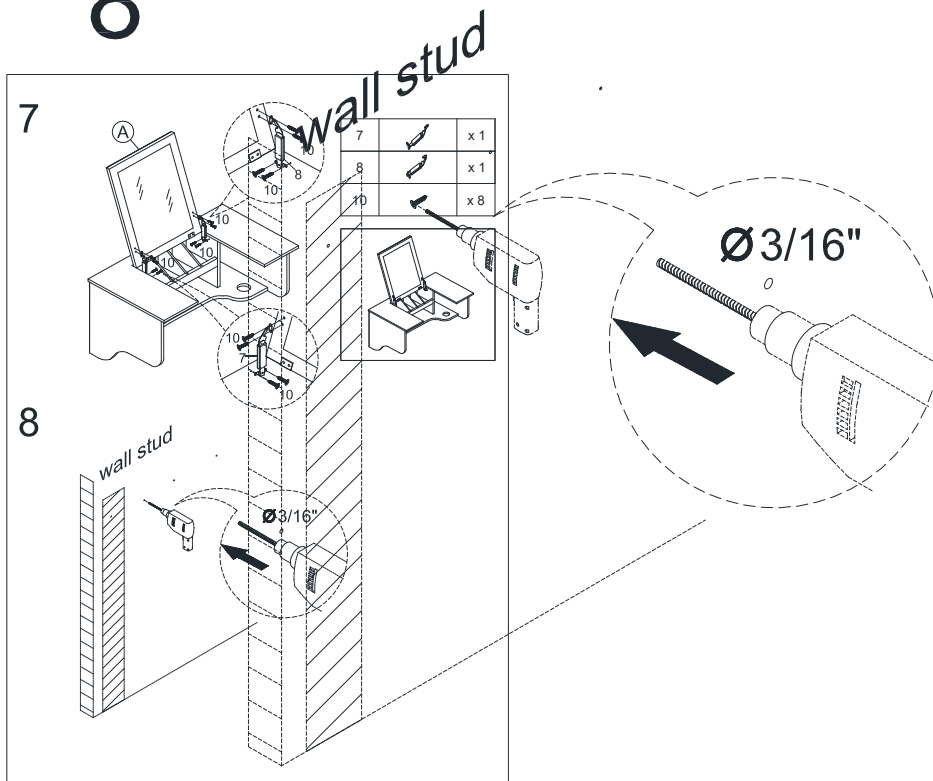
7



7		x 1
8		x 1
10		x 8

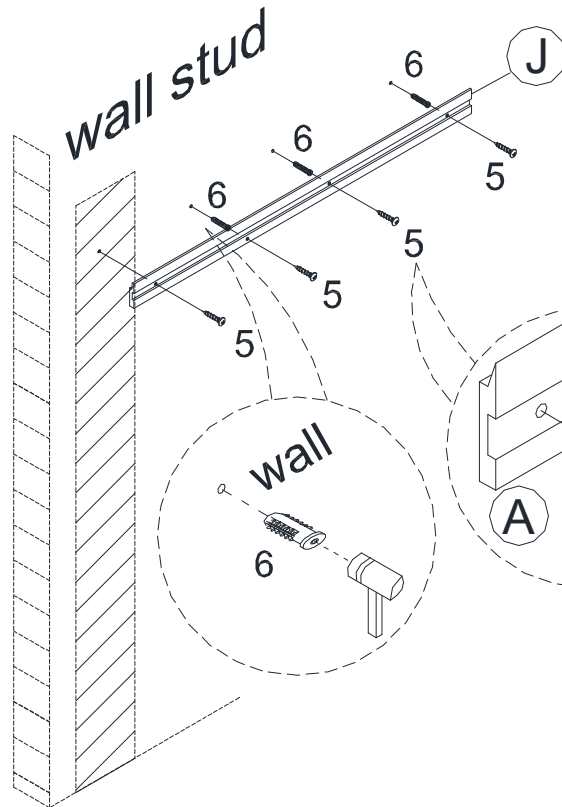




8



# Assembly | Asamlea | Assemblage

## 9



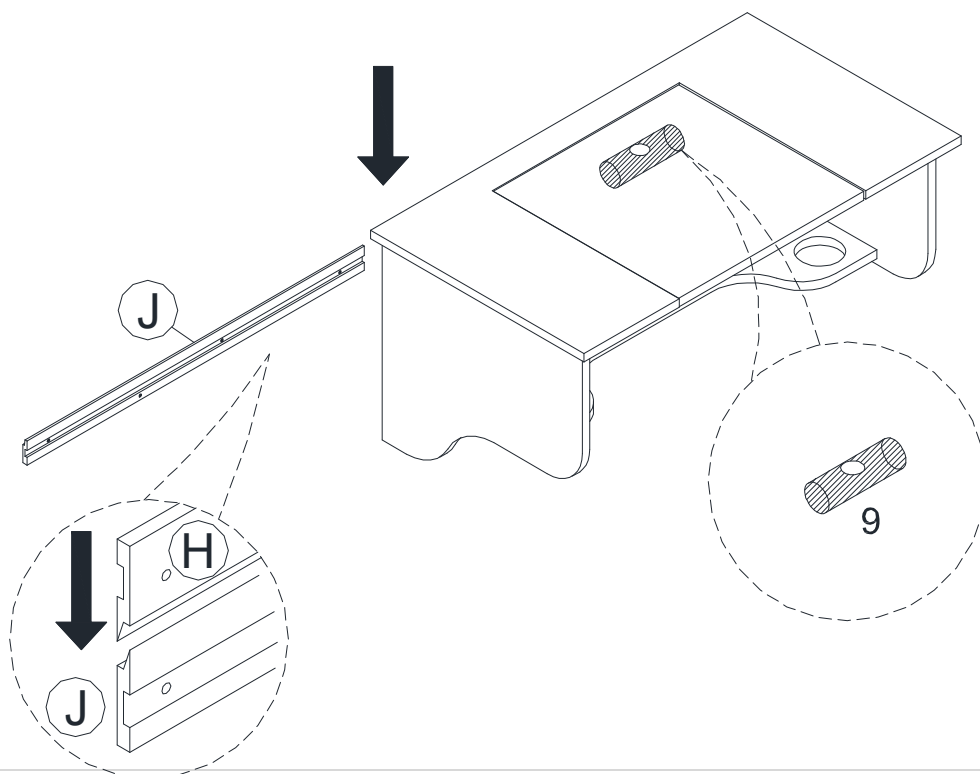
5		x 4
6		x 3

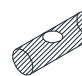
The slide **must** be mounted to a wall stud by at least one screw. Use wall anchors for all other screws.

La glissière **doit** être montée sur un goujon mural par au moins une vis. Utilisez des ancrages muraux pour toutes les autres vis.

El tobogán **debe** montarse en un perno de pared con al menos un tornillo. Use anclajes de pared para todos los demás tornillos.

## 10



9		x 1
---	---	-----

# Assembly | Asambla | Assemblage

11

