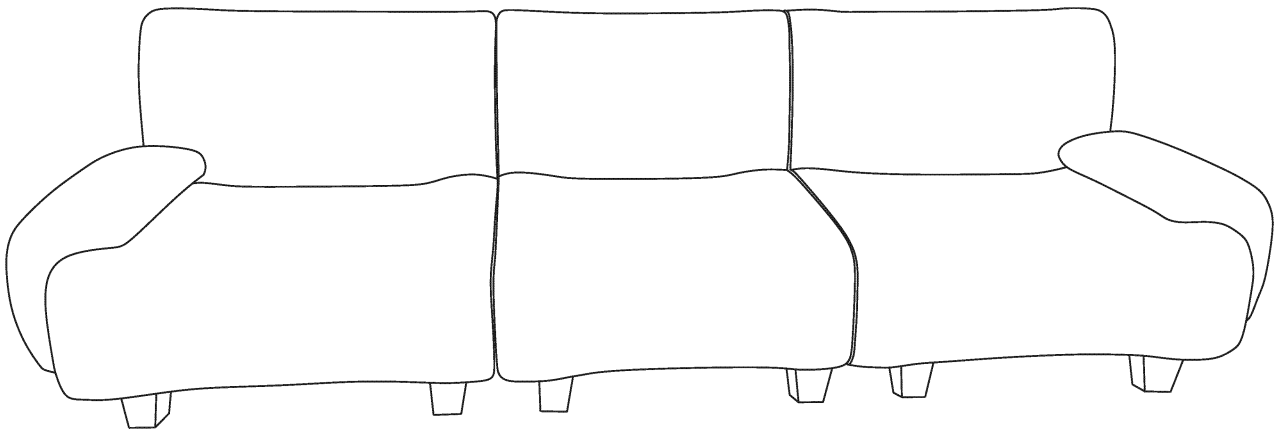
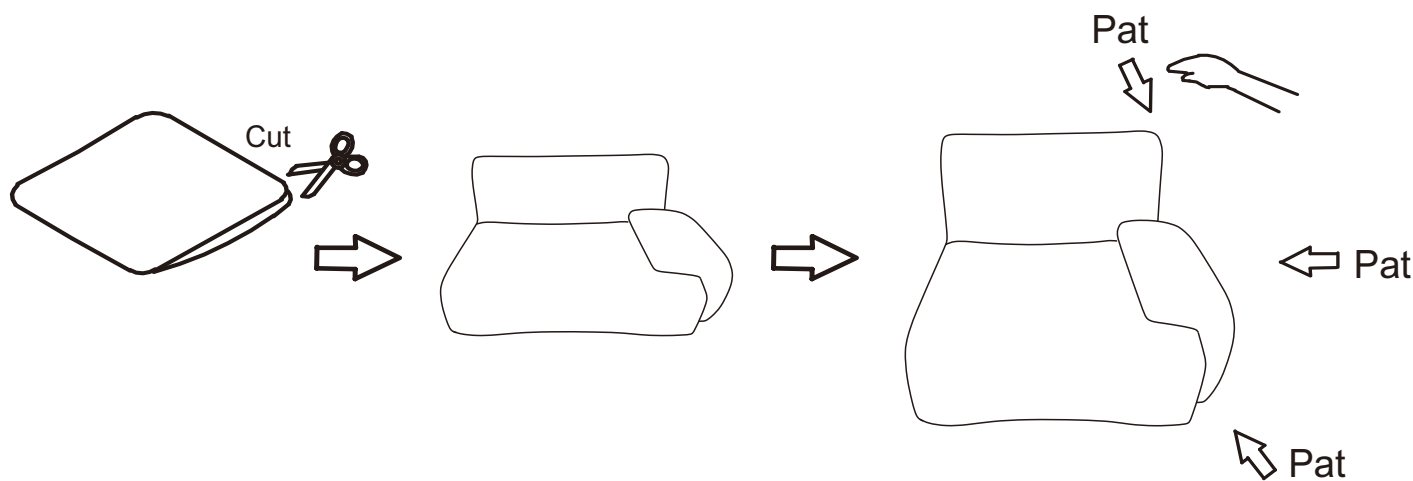
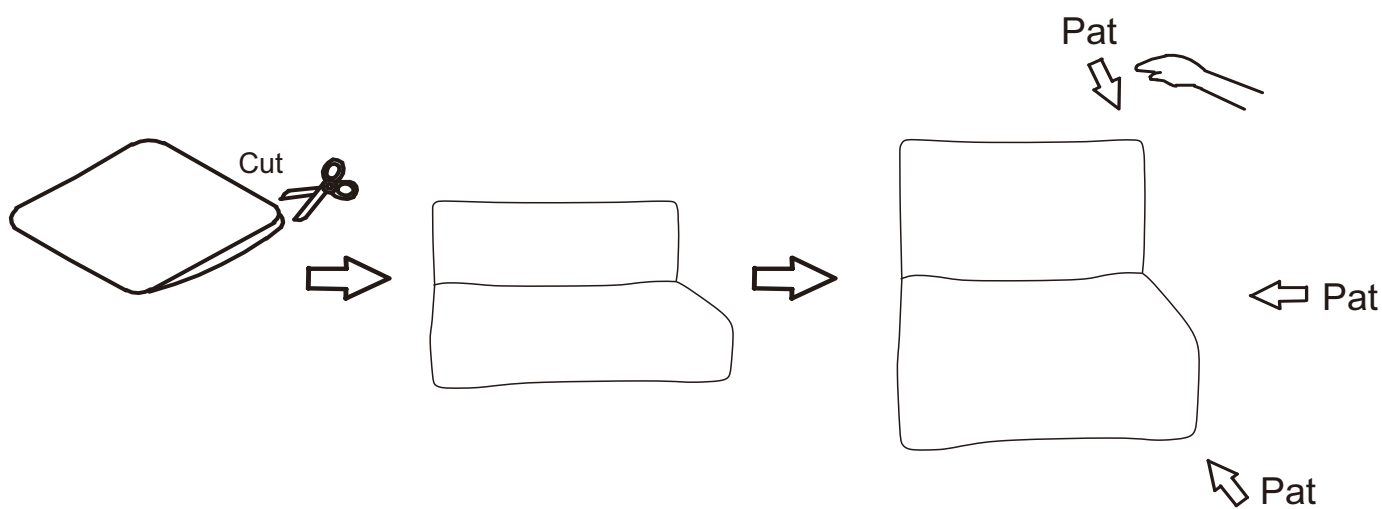
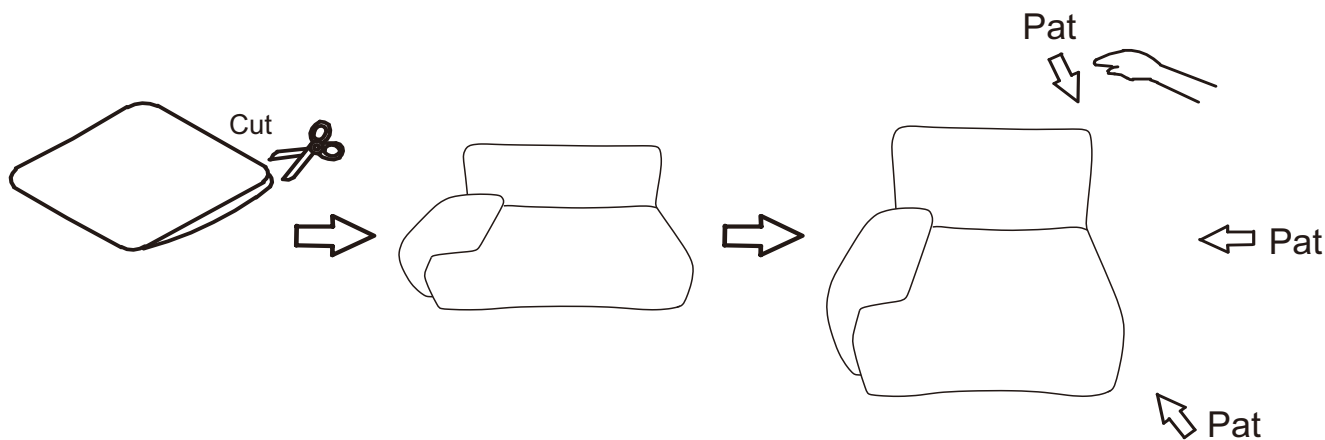


ASSEMBLY INSTRUCTION





After unpacking, place the sofa in a dry, well-ventilated area. It will fully regain its shape and comfort within approximately 72 hours.

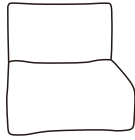
Slight fabric wrinkles are normal due to prolonged vacuum compression during shipping. To remove them:

- Gently shake and fluff the sofa.
- Use an iron or steamer to remove wrinkles.

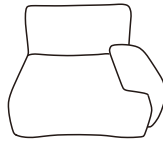
A X1



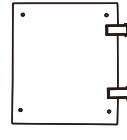
B X1



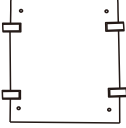
C X1



D X2



E X1



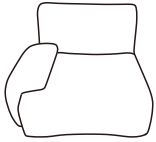
G X12



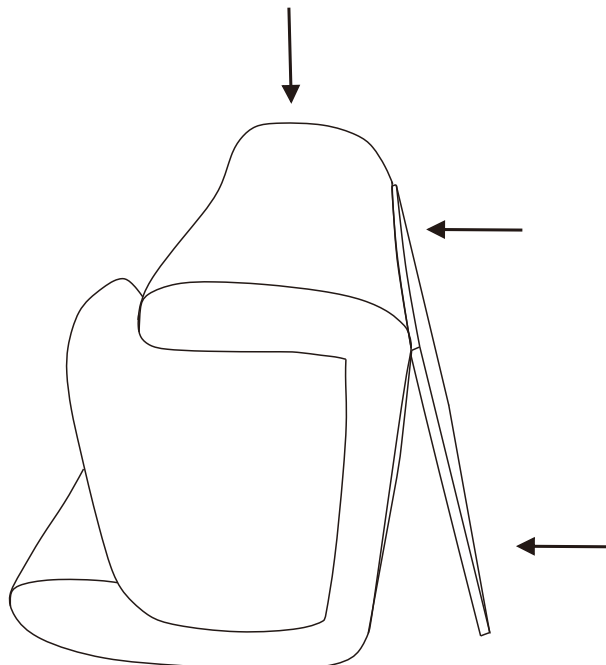
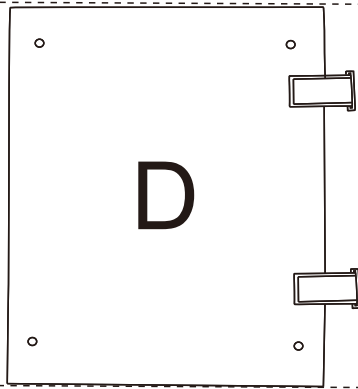
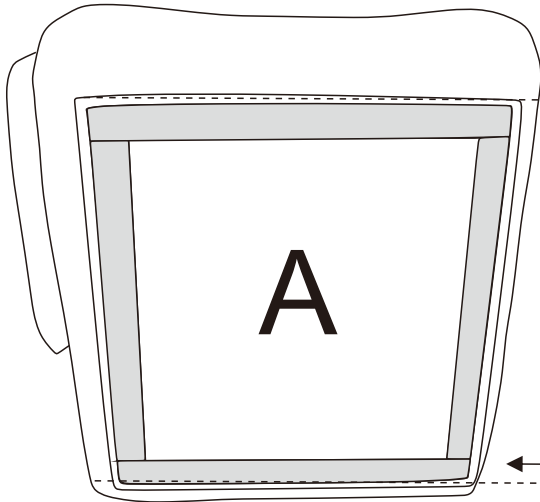
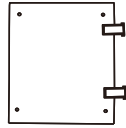
H X12



A X1

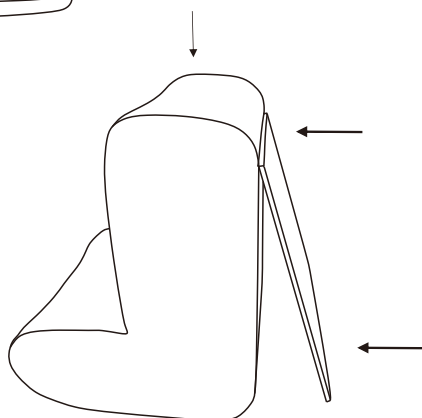
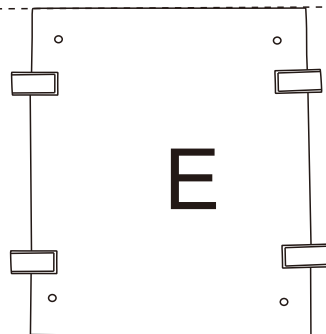
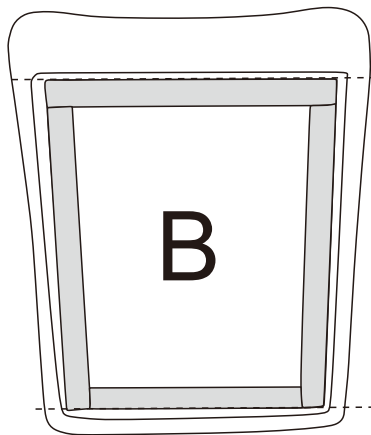
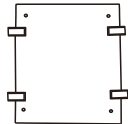
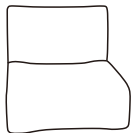


D X1



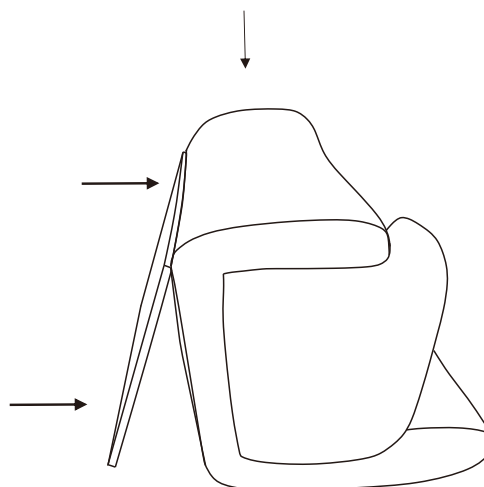
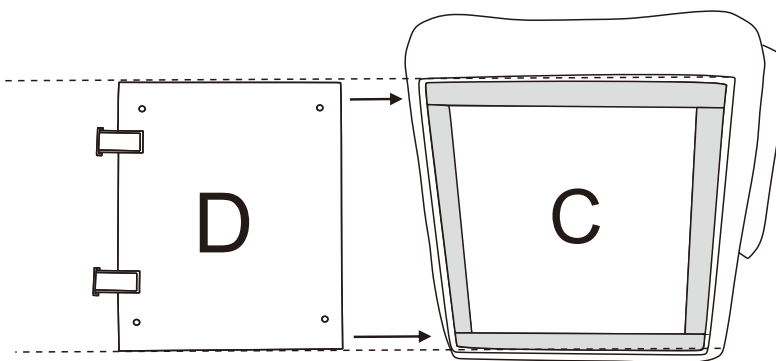
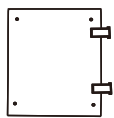
BX1

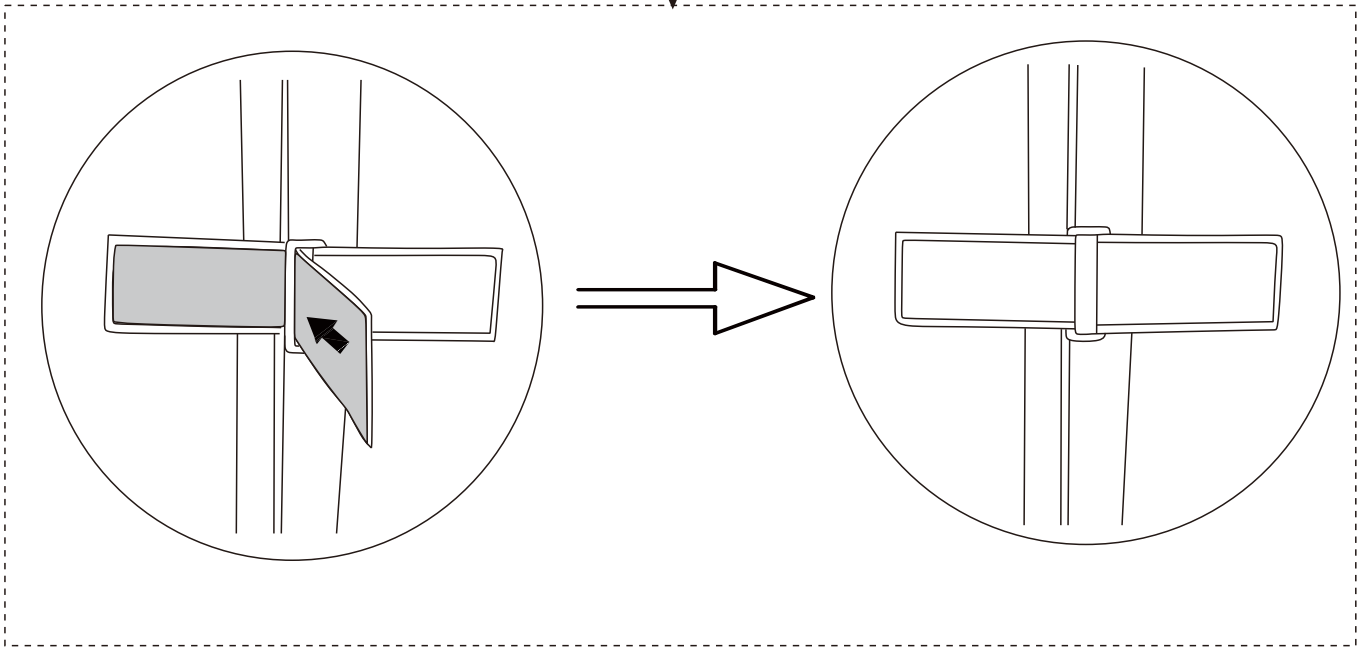
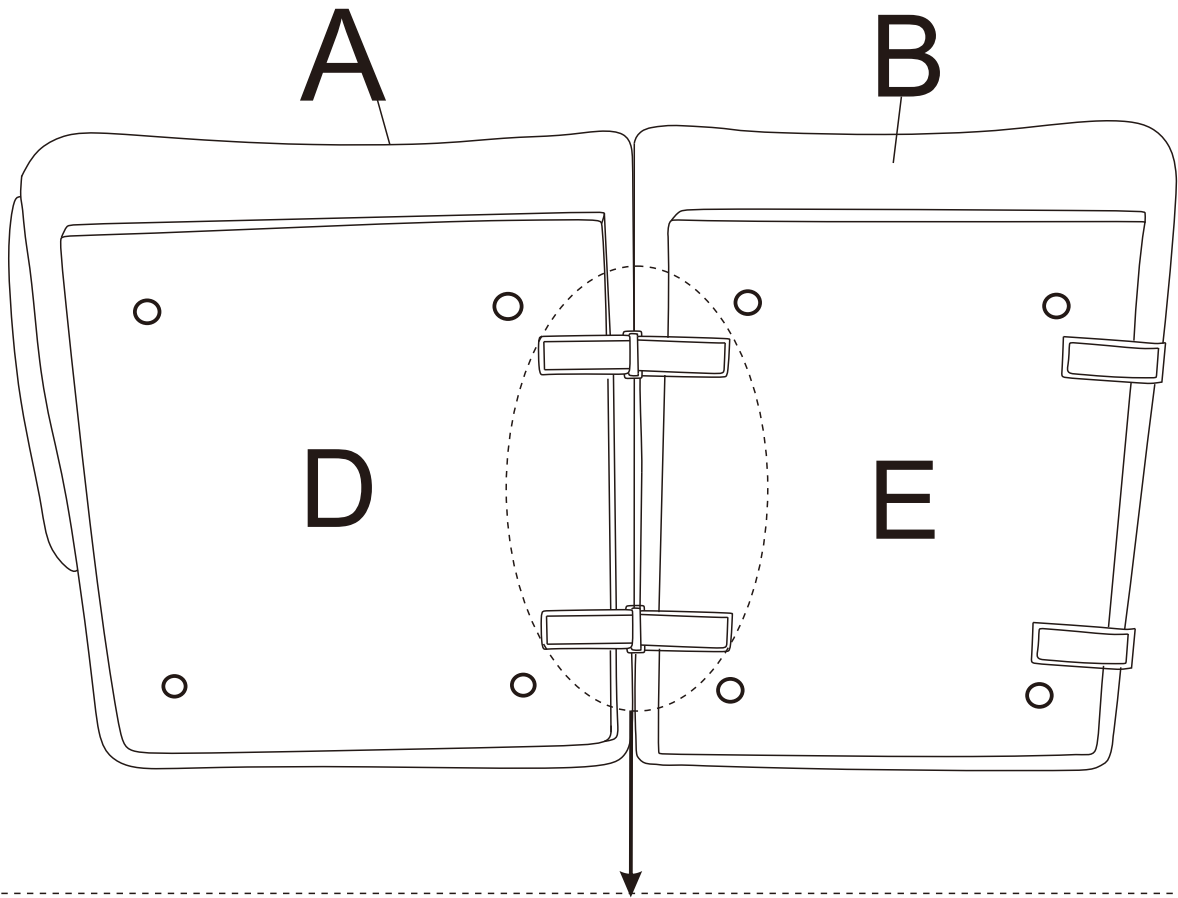
EX1

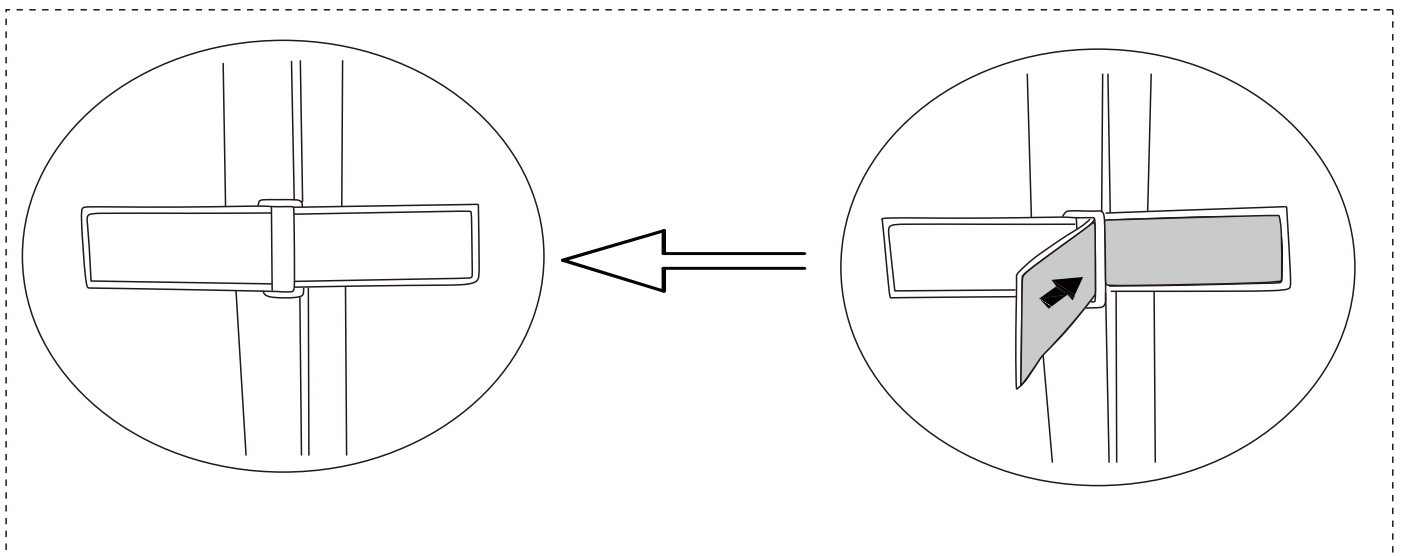
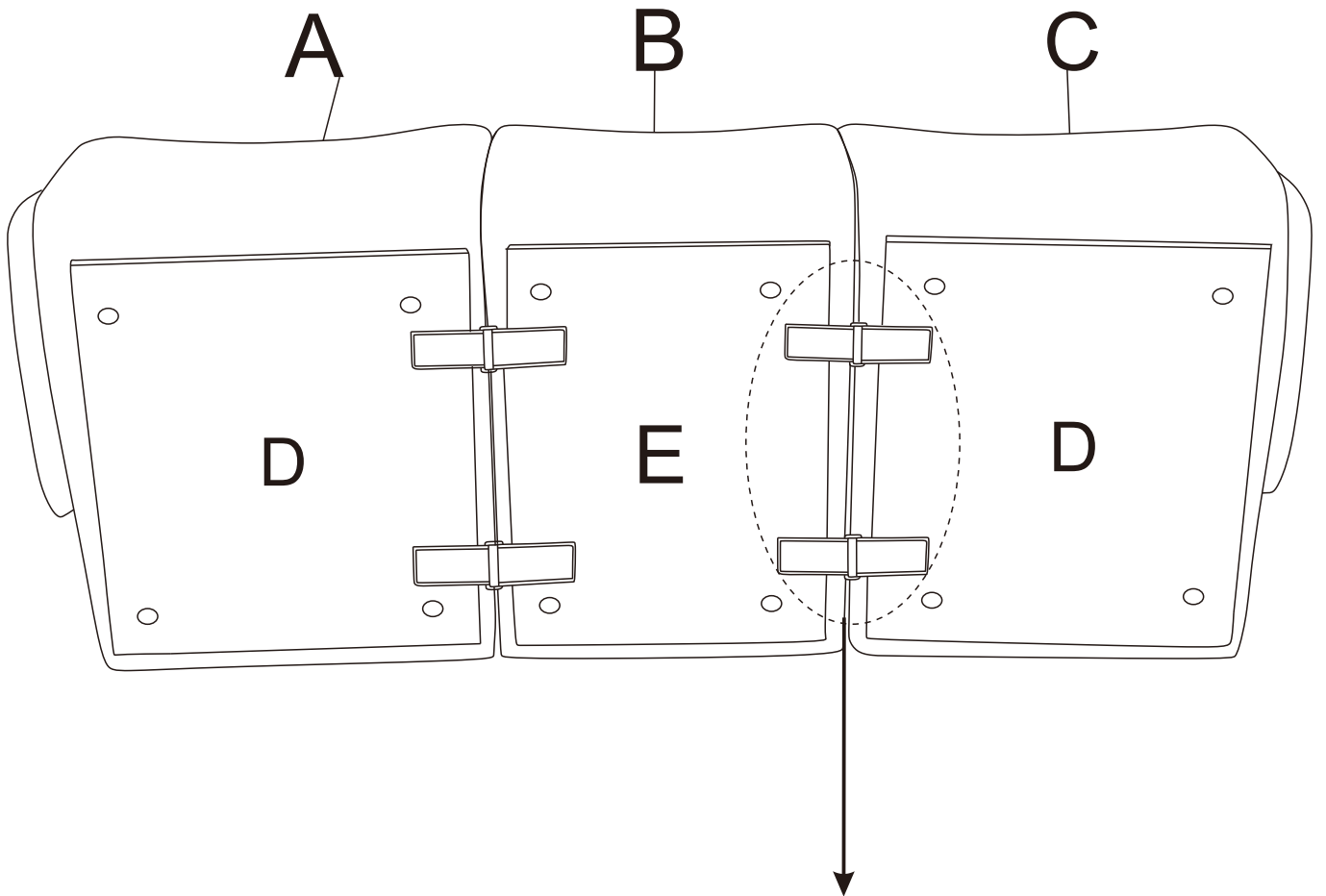


CX1

DX1

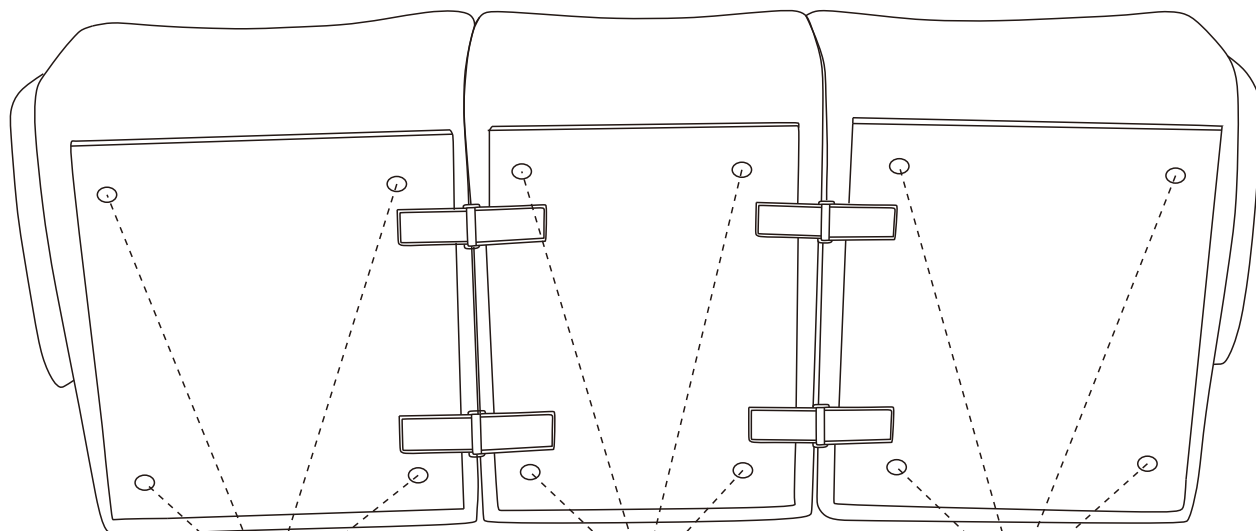




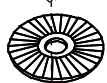


G X12

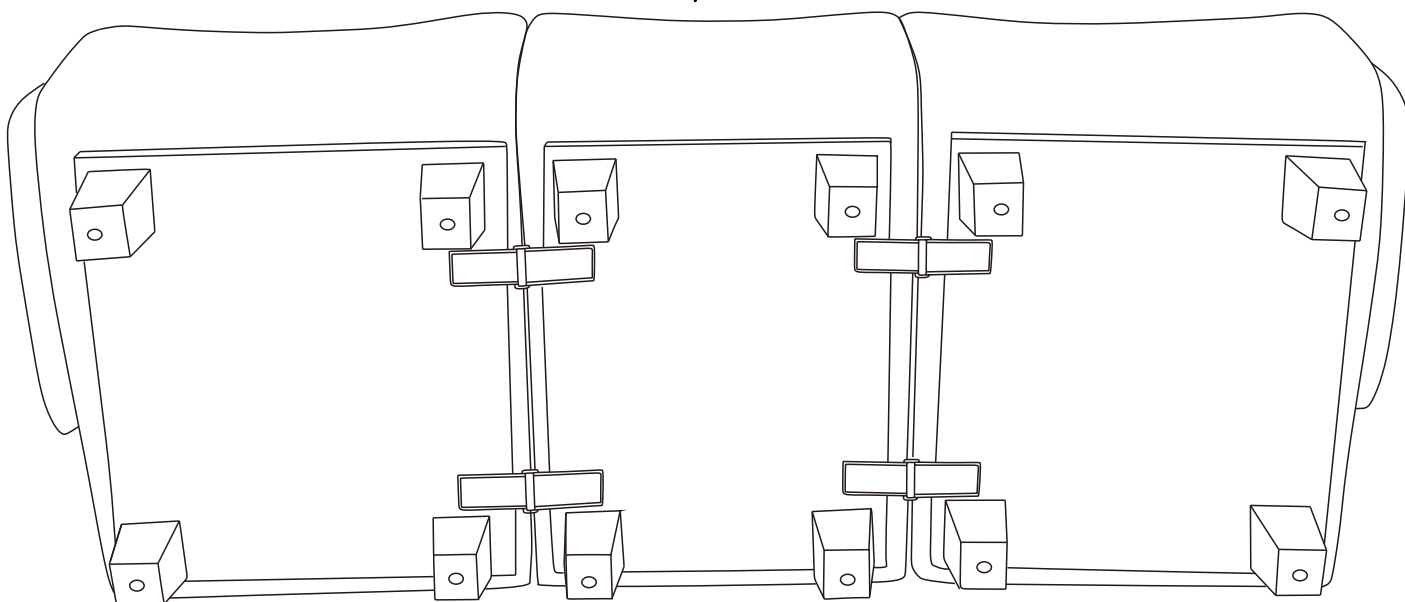
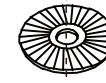
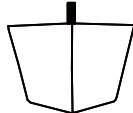
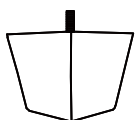
H X12



H



G



Done

