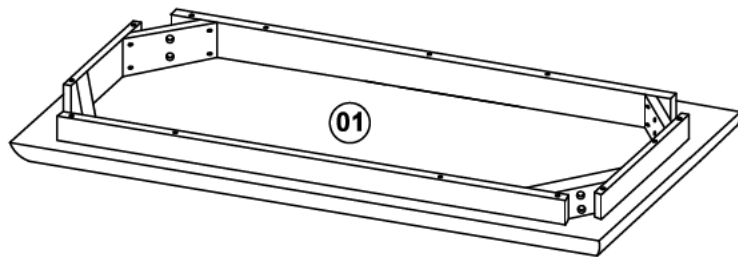


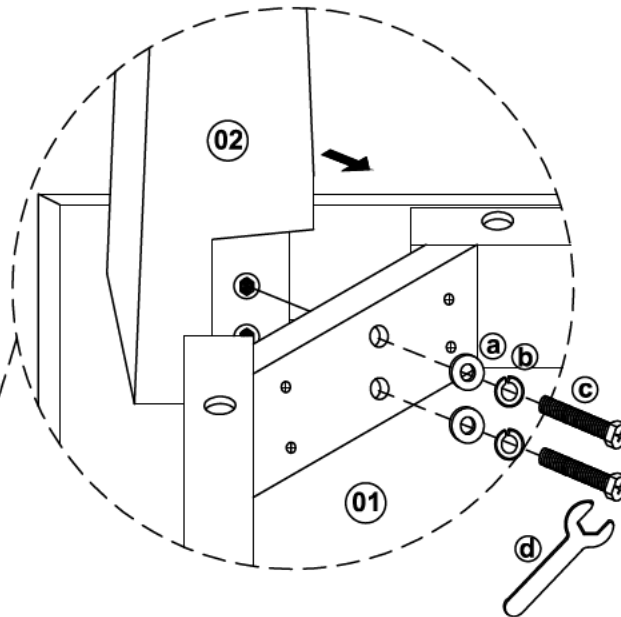
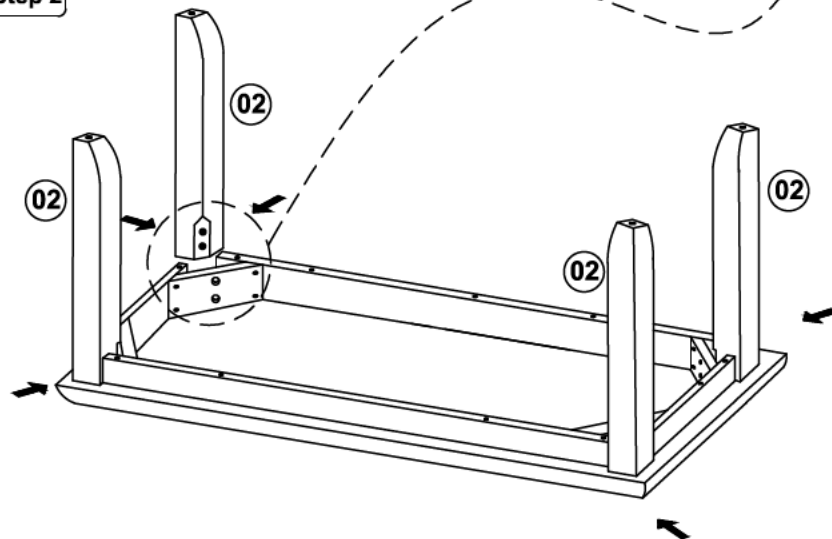
ASSEMBLY INSTRUCTION

42" L x 14" W x 18" H

Step 1



Step 2



List of Part For 1 Set

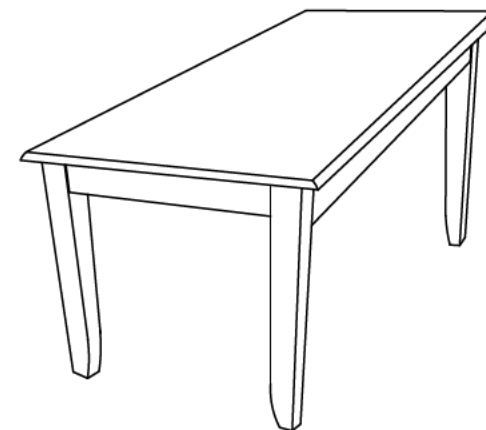
01		Table Top	1
02		Table Leg	4

List of hardware For 1 Set

a		Flat Washer 1/4" x 18mm	8
b		Spring Washer 1/4"	8
c		Hex Oval Bolt M6 x 60mm	8
d		Spanner 10 mm	1

⚠ Important Notes

- * Keep all hardware parts out of reach of children.
- * Must tighten screws periodically. With use screws will become loose. Check tightness of all screws every 6-8 weeks.
- * Don't attempt to repair or modify parts that are broken or defective. Please contact the store immediately.
- * Do not tighten all screw / bolt until all completely assembled



Assembly Completed !!..