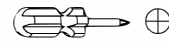


# ASSEMBLY INSTRUCTIONS

## ASSEMBLY REQUIREMENTS

2-Person  
Assembly

2 Hours  
Assembly Time  
(Approximate)



Phillips Screwdriver  
(Short)

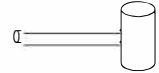
Tools Required  
(Not Provided)



Phillips Screwdriver



Flat Screwdriver



Mallet

## Thank you for purchasing our product!

Please refer and use this assembly instruction to assemble the product. Contact our customer service department in case there are any missing or damage parts or hardware.

We appreciate your business!

### ASSEMBLY PREPARATION:

1. Remove all packaging materials, staples and packing straps from the carton.
2. Refer to Parts List and Hardware List and ensure parts and hardware are correct before assembly. Contact customer service for missing parts.
3. Place all wooden parts on a clean, flat and soft surface (e.g. carpet or rug) to prevent scratch and damage to parts

### SAFETY PRECAUTION:

1. KEEP ALL HARDWARE PARTS OUT OF REACH OF CHILDREN.
2. DISPOSE PLASTIC PACKAGING MATERIAL IMMEDIATELY TO AVOID ANY RISK OF SUFFOCATION TO CHILDREN AND ANIMALS.

### TIPS FOR ASSEMBLY:

1. Allow ample room for assembly and in close proximity to where product will be placed.
2. Assemble the product on a surface that does not scratch or damage the exterior gloss and finish of the furniture.
3. Identify all of the parts, hardware and quantities required for each step.
4. During assembly, do not over-tighten any fittings as this may cause damage.
5. DO NOT USE POWER TOOLS TO ASSEMBLE THIS PRODUCT.
6. Always place the product on a flat, level surface.
7. Do not sit or stand on the partially assembled product; only use the product for which it is intended.

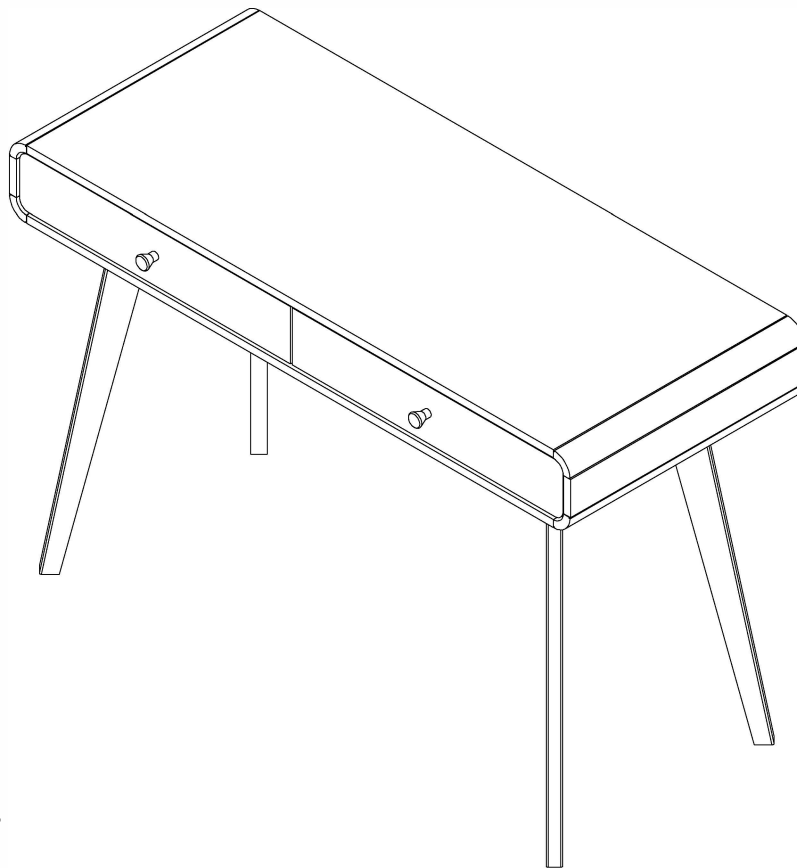
### CARE AND MAINTENANCE:

- Use a slightly damp cloth to clean the product. Do not use bleach or abrasive cleaning material.
- Check all the fittings periodically and re-tighten as necessary. Do not use the product if any of the parts is damaged or broken.
- Never allow any kind of liquid to remain on your furniture. Absorption can cause wood to warp or delaminate.
- Do not place hot items (e.g. hot drinks) directly onto the wood surface.
- Do not drag and pull your furniture.













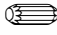
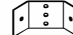



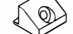
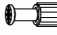


This product is for indoor and household use only - not for commercial or industrial use.

# ASSEMBLY INSTRUCTIONS

## CASSIE DESK



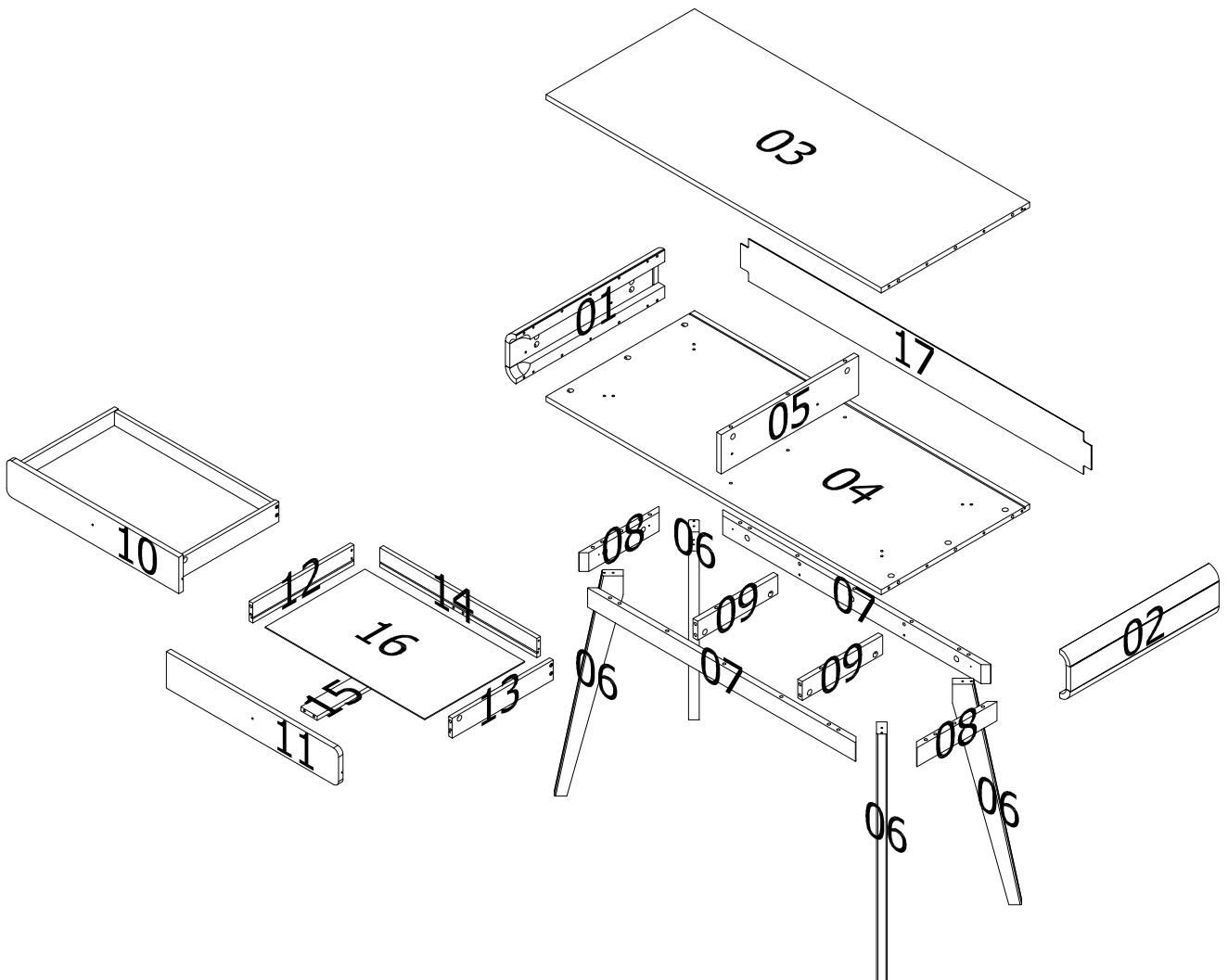
### HARDWARE LIST

NO		DESCRIPTION	QTY	EXTRA	NO		DESCRIPTION	QTY	EXTRA
A		CSK SCREW M3.5 X 12MM	8	1	M		9116018 CAM-LOCK	4	
B		CSK SCREW M3.5 X 15MM	20	1	N		PLASTIC KNOB HANDLE (VK48)=(1PC) WITH SCREW (M3.5X25MM)=(1PC)	2 SETS	
C		CSK SCREW M4 X 25MM	8	1	P1		METAL DRAWER SLIDE CR (350MM)	2	
D		CSK SCREW M4.5 X 32MM	8	1	P2		METAL DRAWER SLIDE CL (350MM)	2	
E		EURO SCREW M6 X 9MM	8	1	Q1		METAL DRAWER SLIDE DR (350MM)	2	
F		JCBC(W) SCREW M6 X 40MM	11	1	Q2		METAL DRAWER SLIDE DL (350MM)	2	
G		WOOD DOWEL (Ø6 X 20MM)	12	1	R		TABLE CORNER BRACKET (5HOLES)(1.5 X 30 X 30 X 50 X 45MM)	4	
H		WOOD DOWEL (Ø6 X 35MM)	16	1	S		ALLEN KEY M4	1	
J		WOOD DOWEL (Ø8 X 25MM)	23	1	T		BACKPLY STOPPER	12	
K		9047975 CAM-BOLT DU319 20X5MM	32		U		GLUE	5	
L		9064684 CAM-LOCK	28						

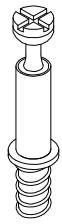
\*EXTRA HARDWARE FOR SPARE USE.

## PARTS LIST

NO.	PART NAME	QTY	NO.	PART NAME	QTY
1	SIDE PANEL (LEFT)	1	10	DRAWER FRONT (LEFT)	1
2	SIDE PANEL (RIGHT)	1	11	DRAWER FRONT (RIGHT)	1
3	TOP PANEL	1	12	DRAWER SIDE (LEFT)	2
4	BOTTOM PANEL	1	13	DRAWER SIDE (RIGHT)	2
5	CENTER PANEL	1	14	DRAWER BACK	2
6	WOODEN LEG	4	15	DRAWER SUPPORT	2
7	BOTTOM RAIL (CENTER)	2	16	DRAWER BOTTOM	2
8	BOTTOM RAIL (SIDE)	2	17	BACK PANEL	1
9	BOTTOM RAIL SUPPORT	2			



# INSTRUCTION FOR CAM-BOLT & CAM-LOCK

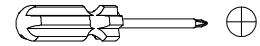
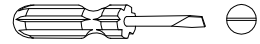


CAM-BOLT

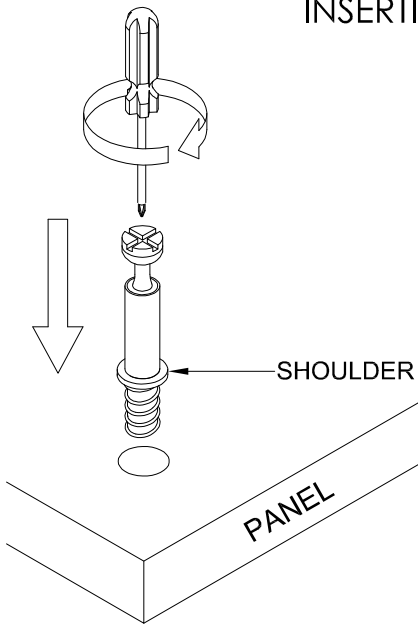


CAM-LOCK

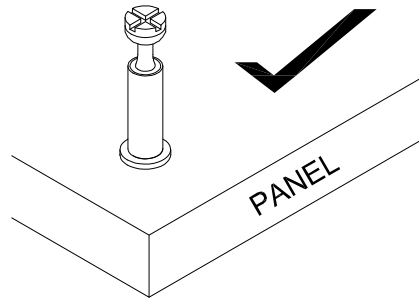
## Tools Required



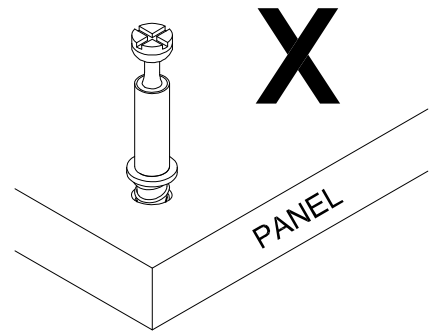
## INSERTING AND TIGHTENING CAM-BOLT



Place Cam-bolt on pre-drilled hole and screw in vertically



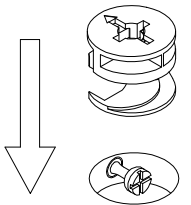
Shoulder is flushed (on the same level) with the panel.



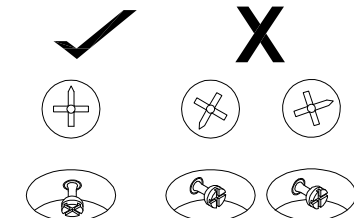
Shoulder is above the panel.

Place Cam-bolt on the designated pre-drilled holes on the panel. Use a Phillips Screwdriver to screw-in Cam-bolt vertically until shoulder is flushed (on the same level) with panel.

## INSERTING CAM-LOCK



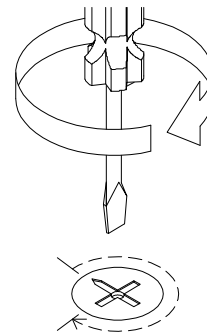
Insert Cam-lock with arrow align to Cam-bolt head



CORRECT

WRONG

## TIGHTENING CAM-LOCK

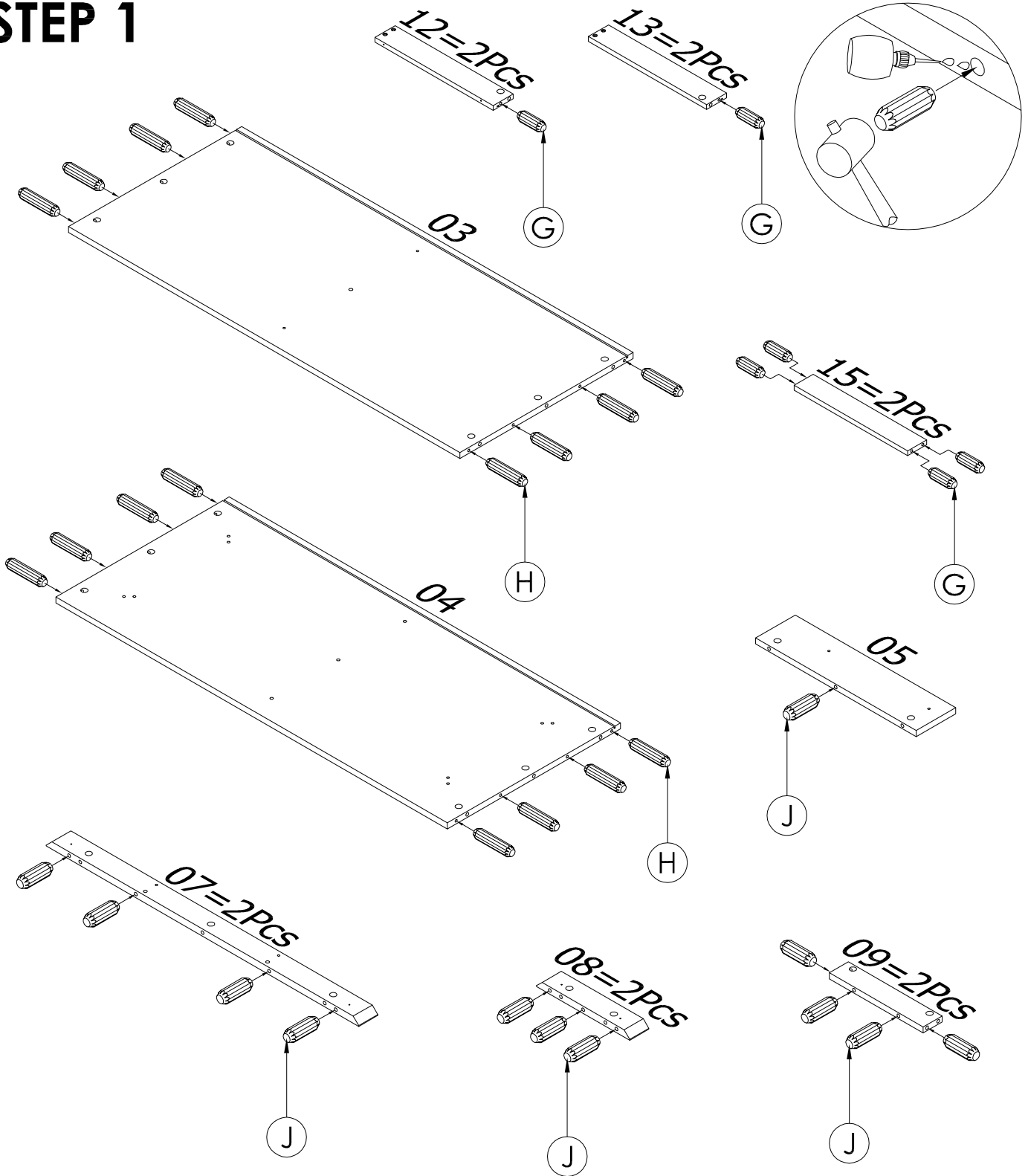


Use a Flat-head Screwdriver to turn Cam-lock clockwise so it locks onto the head of the Cam-bolt. Turn until it is snug (about 3/4ths of a turn) -- over-tightening could damage Cam-lock or/and Cam-bolt.

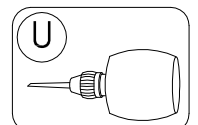
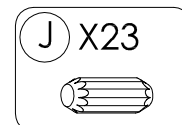
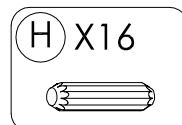
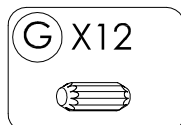
## CAM-LOCK

Align the arrow on the Cam-lock to the Cam-bolt head and insert the Cam-lock. Ensure Cam-lock is fully inserted.

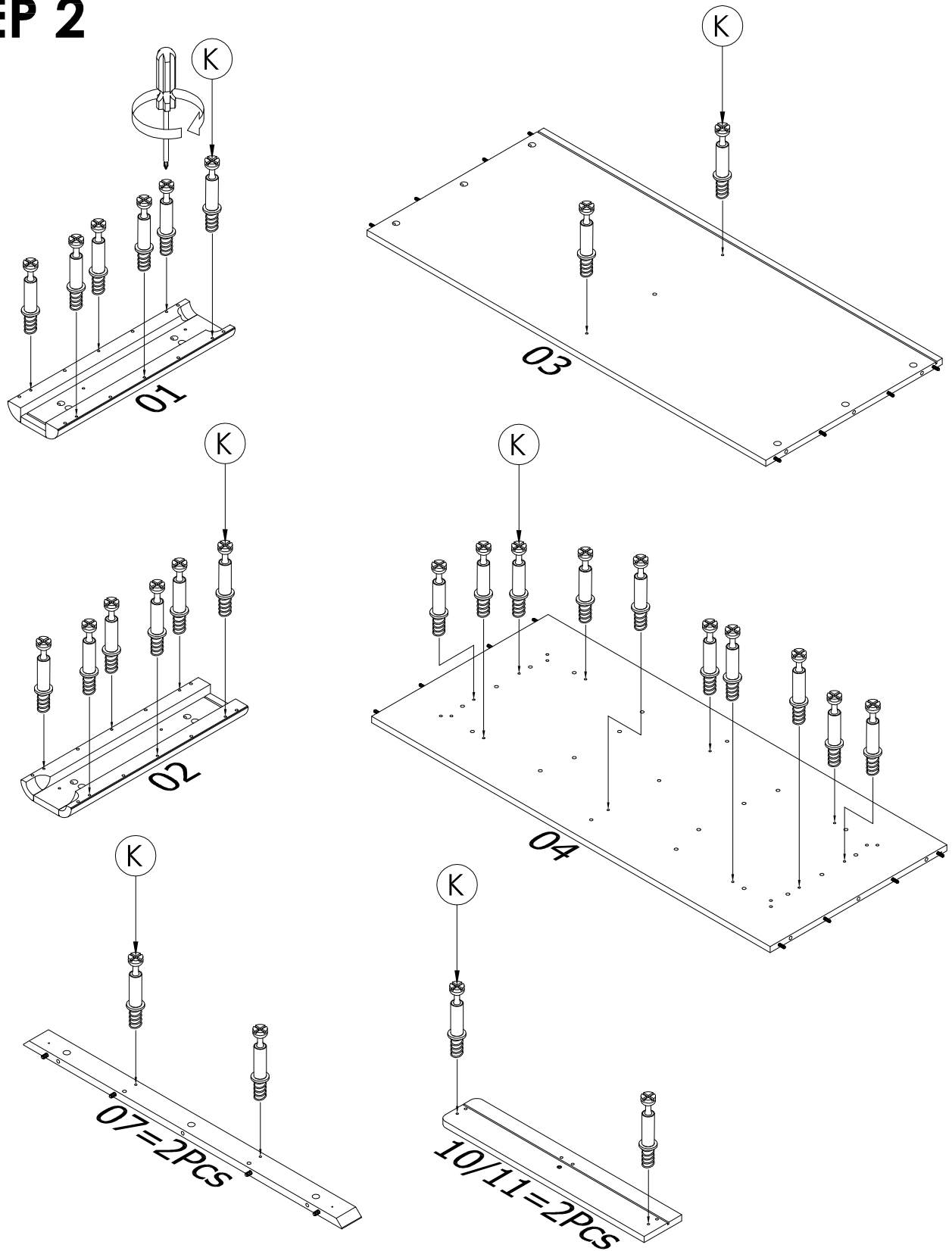
# STEP 1



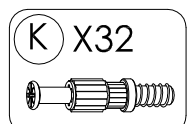
- Place the following parts on a material that does not scratch or damage the parts: Top, Bottom and Center Panel (03, 04 & 05), Bottom Center, Side and Support Rail (07,08 & 09), Drawer Side Left & Right (12 & 13) and Drawer Support (15).
- Apply Glue (U) into the designated holes on each of these parts and insert Wood Dowel (G, H or J) to the respective parts as shown. Use a mallet to tap in wood dowel, if necessary.



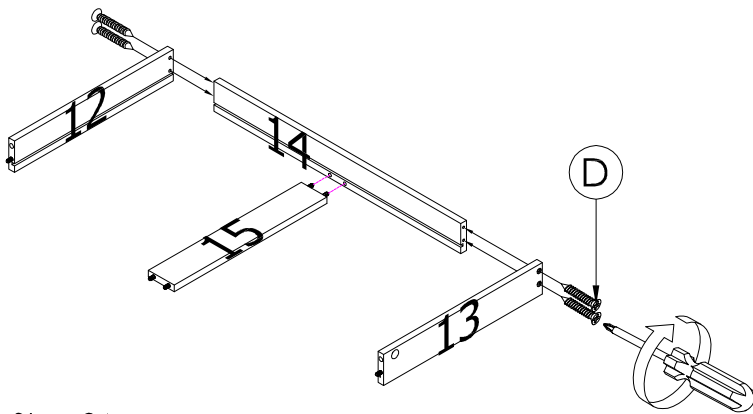
# STEP 2



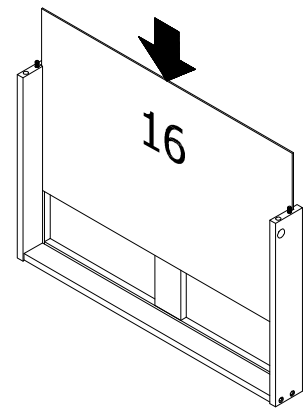
a) Screw in cam-bolt (K) into the designated holes on Left and Right Side Panel (01 & 02), Top and Bottom Panel (03 & 04), Bottom Center Rail (07) and Drawer Front Left & Right Panel (10 & 11). Refer to Page 4 for instructions on inserting and tightening cam-bolts.



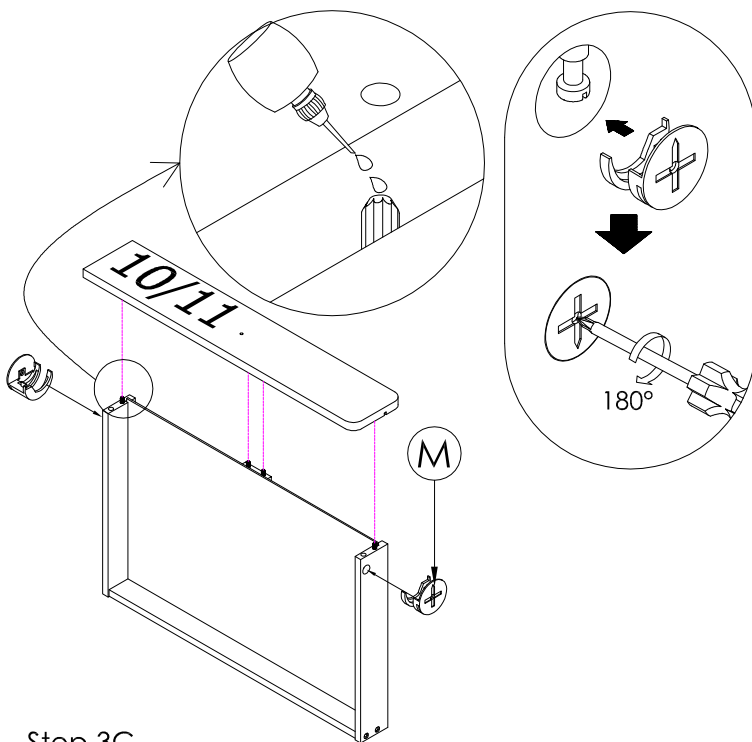
# STEP 3



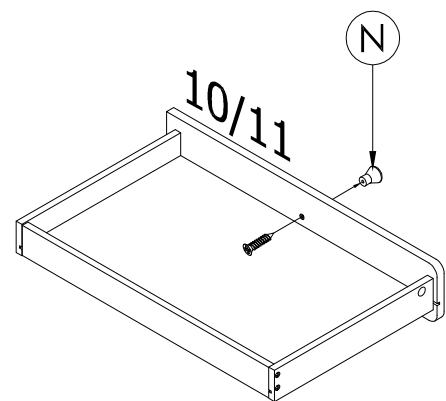
Step 3A  
Attach Drawer Side Left & Right Panels (12 & 13) to Drawer Back Panel (14) as shown - note the alignment of the groove on the panels - and fasten with Screw (D). Next, attach Drawer Support (15) to the center of (14) via wood dowels on (15).



Step 3B  
Fit Drawer Bottom (16) into the groove on Drawer Side and Back Panel.

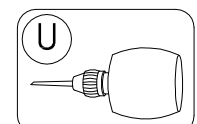
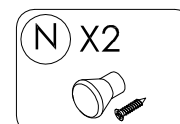
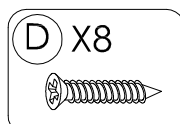


Step 3C  
a) Apply Glue (U) into the holes for wood dowel on Drawer Side Left & Right as shown.  
b) Attach Drawer Front Left/Right (10/11) from STEP 2 to Drawer Side via wood dowel and cam-bolts on the respective parts - check that the top edge of (16) fits into the groove on the underside of (10 & 11).  
c) Use Cam-lock (M) to fasten (10/11) to Drawer Side. Refer to Page 4 for instructions on inserting and tightening cam-lock.

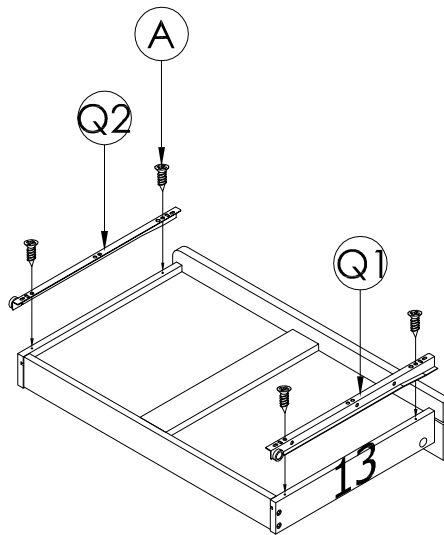
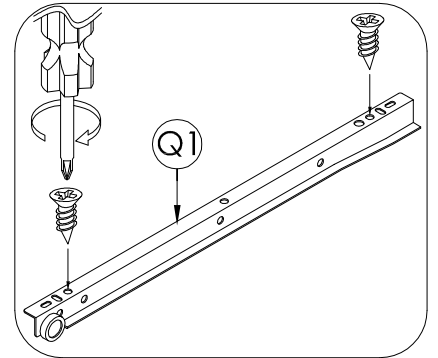
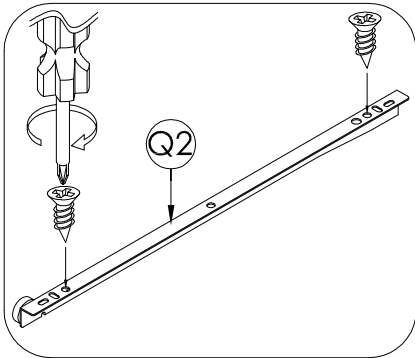


Step 3D  
Use screw provided in Handle Set to install Knob Handle (N).

**X2**

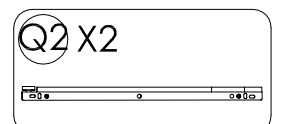
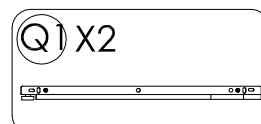
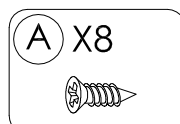


# STEP 4

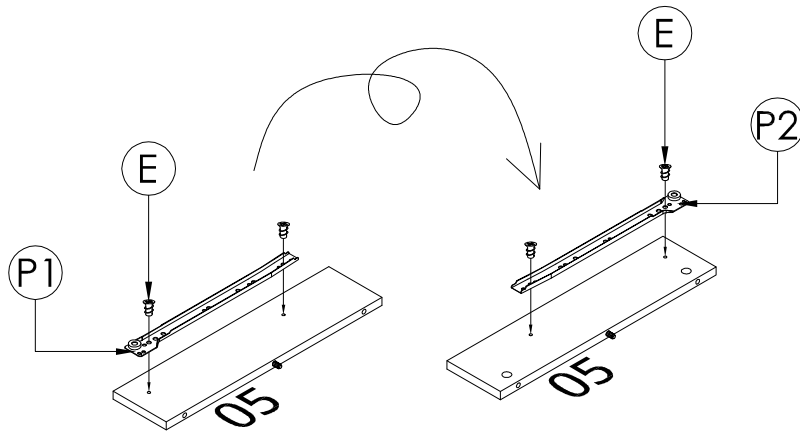
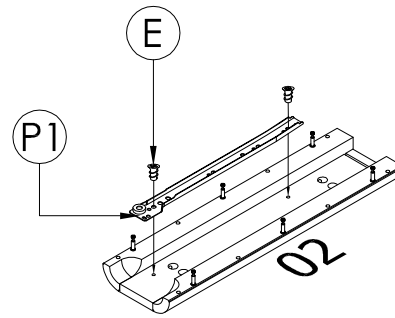
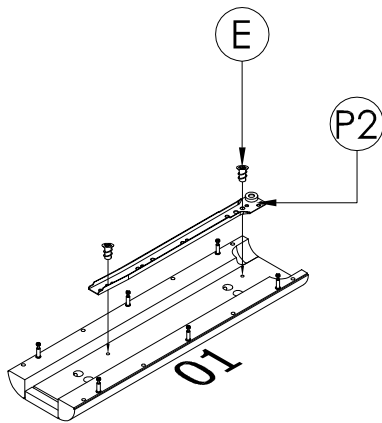
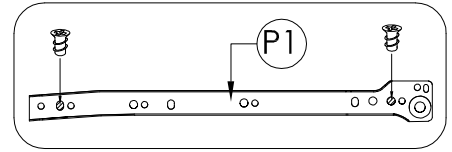
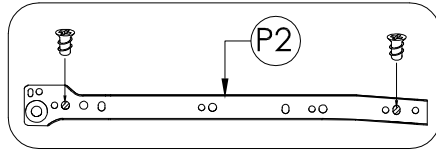


- a) Lay Drawer completed in STEP 3 bottom-side up as shown.
- b) Place Drawer Slide (Q1 & Q2) to Right & Left Drawer Sides (13 & 12) respectively and fasten with Screw (A) - Refer to the enlarged drawing to and identify the specific screw hole to use for Screw (A).

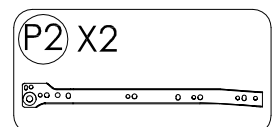
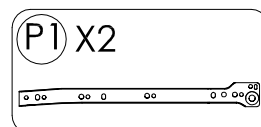
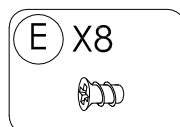
**X2**



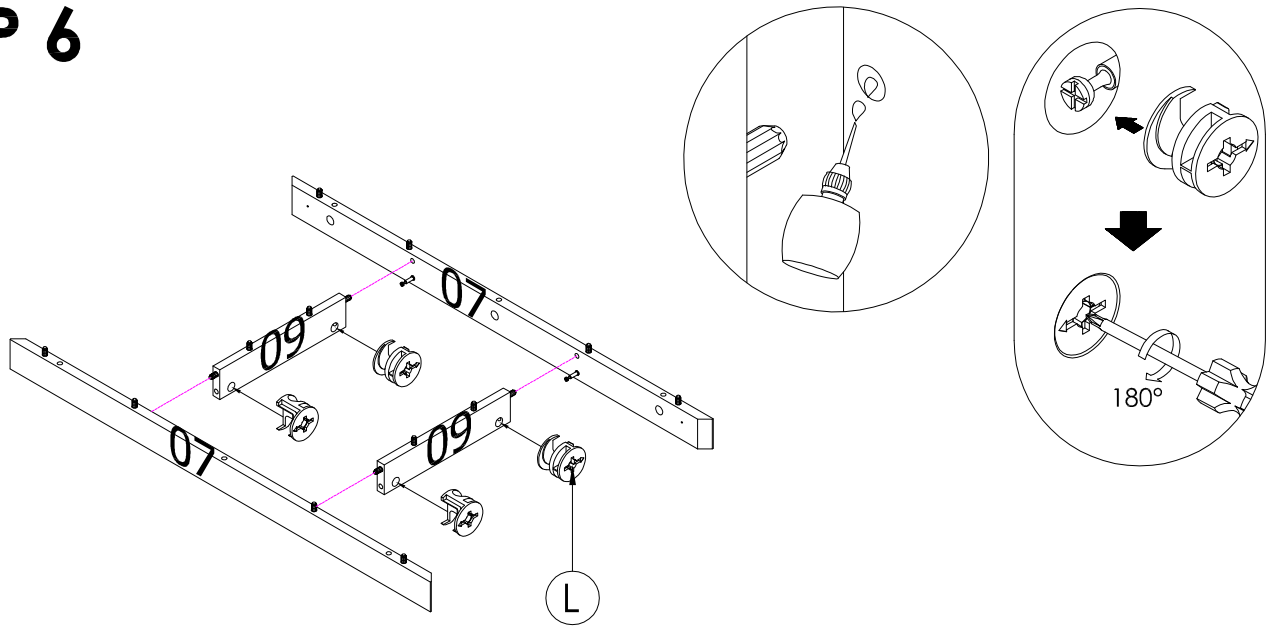
# STEP 5



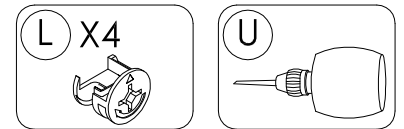
- Lay Left & Right Side Panel (01 & 02) as shown and place Drawer Slide (P2) to align designated screw holes on (P2) to screw holes on (01). Similarly, place Drawer Slide (P1) to align designated screw holes on (P1) to screw holes on (02). Next, use Screw (E) to fasten (P1 & P2).
- Lay Center Panel (05) on one side as shown on the left and place Drawer Slide (P1) to align designated screw holes on (P1) to screw holes on (05). Next, use Screw (E) to fasten (P1).
- Turn Center Panel (05) over to the other side (that has the holes for cam-lock). Use the same procedure above to fasten (P2) to this side of (05).



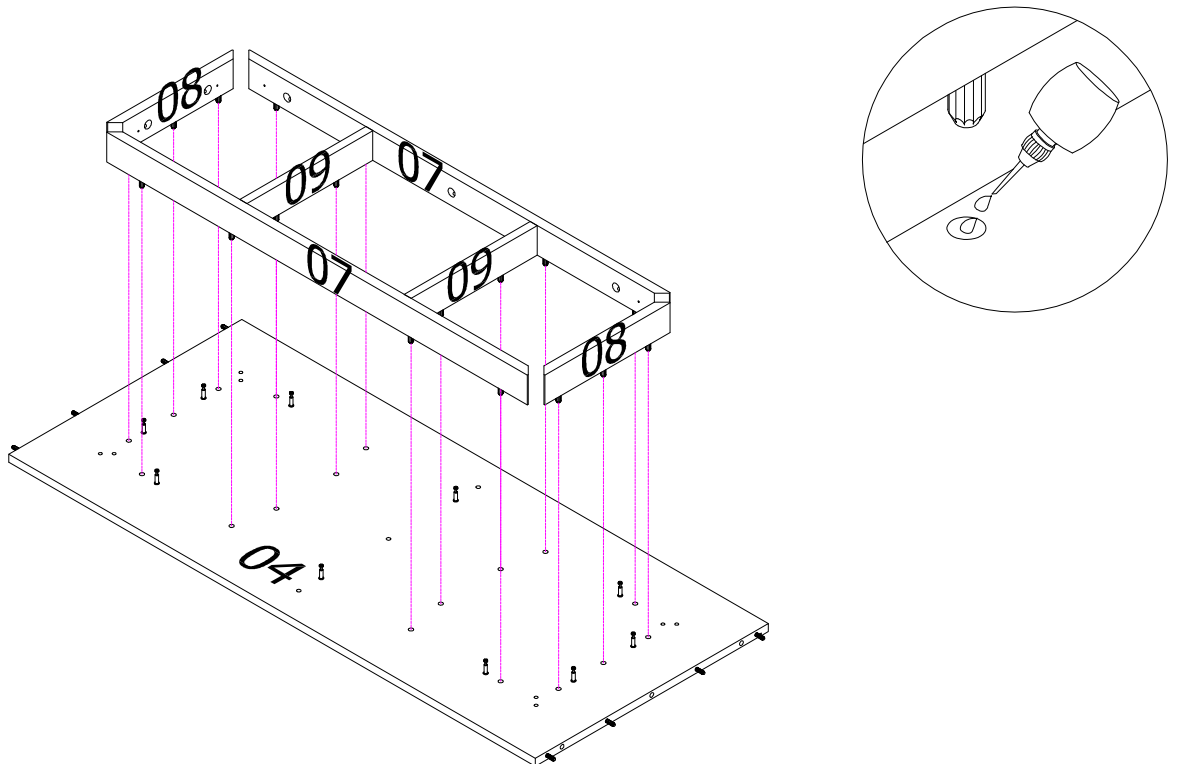
## STEP 6



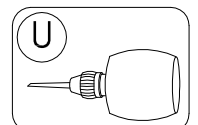
- Apply Glue (U) into designated holes on Bottom Center Rail (07) and attach Bottom Support Rail (09) to (07).
- Insert Cam-lock (L) into designated holes on (09) and turn clockwise to lock onto Cam-bolt on (07)



## STEP 7



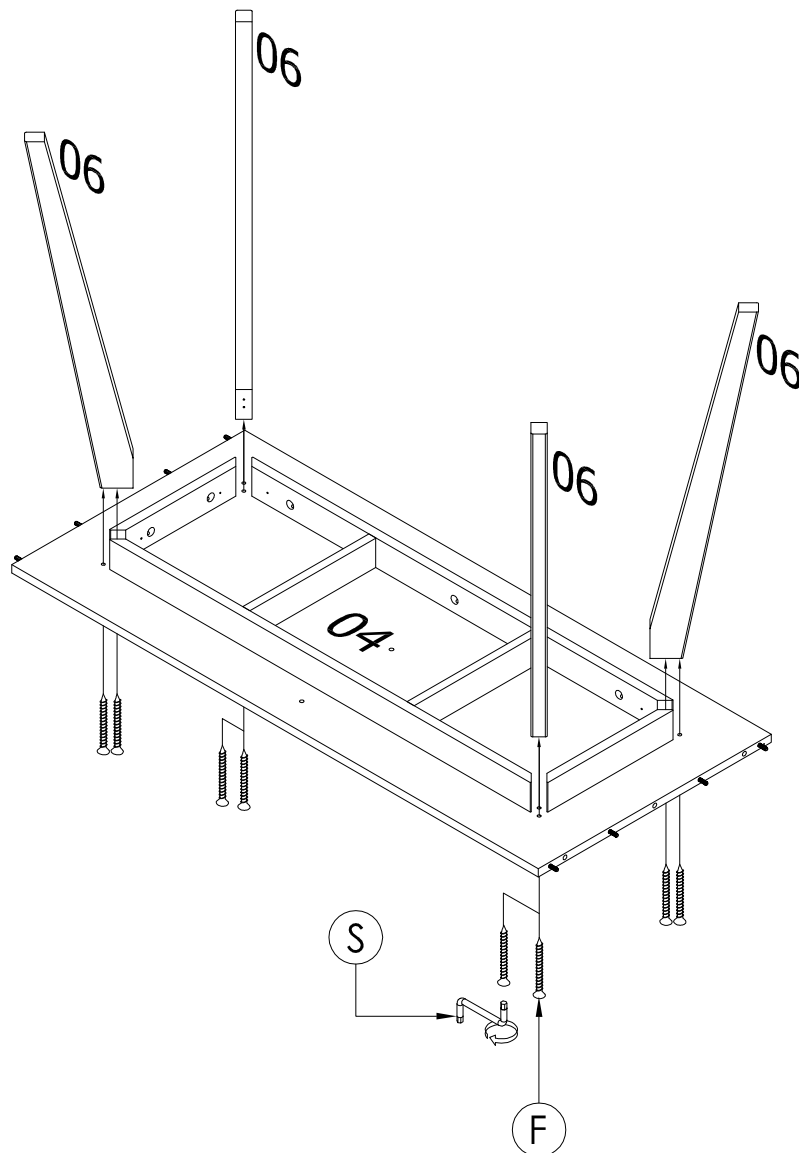
- Place Bottom Panels (04) from STEP 2 flat on a material that does not scratch or damage the part.
- Apply Glue (U) into designated holes on (04)
- Attach assembly from STEP 6 and Bottom Side Rail (08) to Bottom Panel.



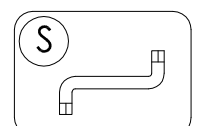
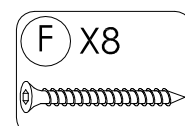
# STEP 8

Note:

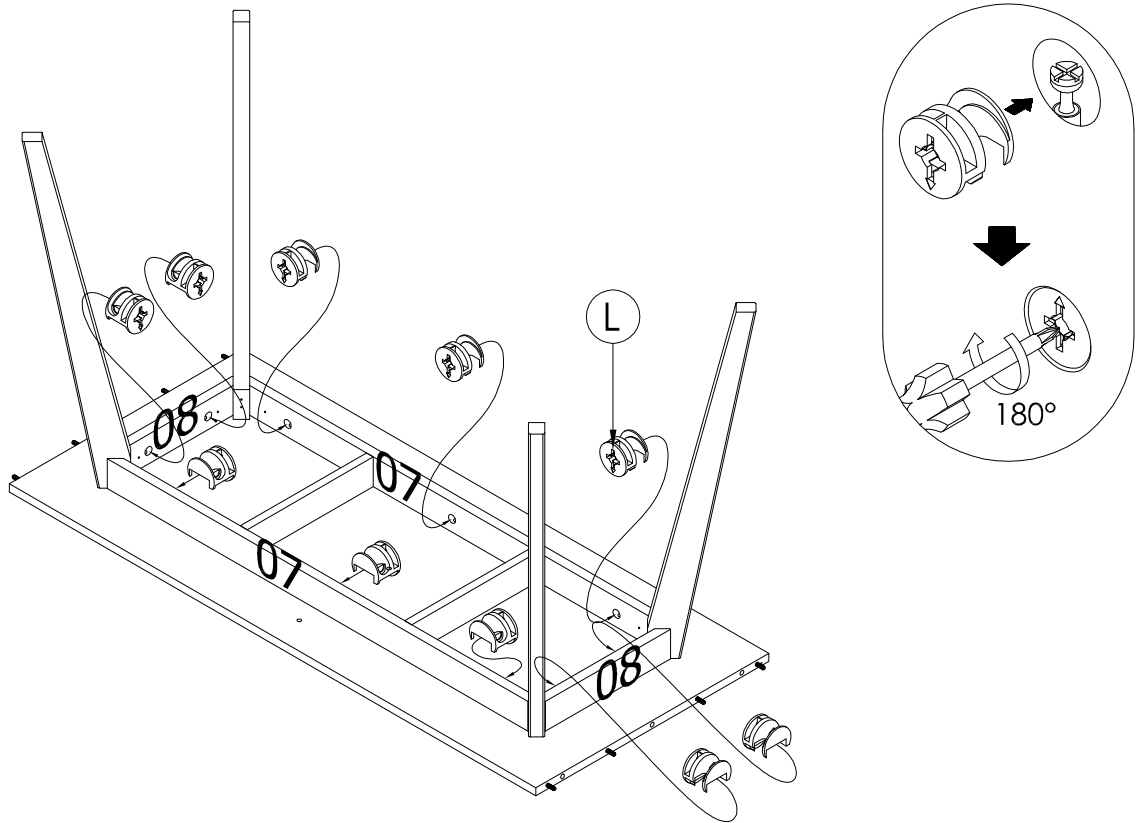
It is easier to assemble the legs by placing the Bottom Panel assembly completed in Step 7 on an elevated surface (e.g. table top).



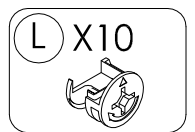
Fit Leg (06) at each corner and fasten with Screw (F). Use Allen Key (S) to drive (F) and tighten completely.



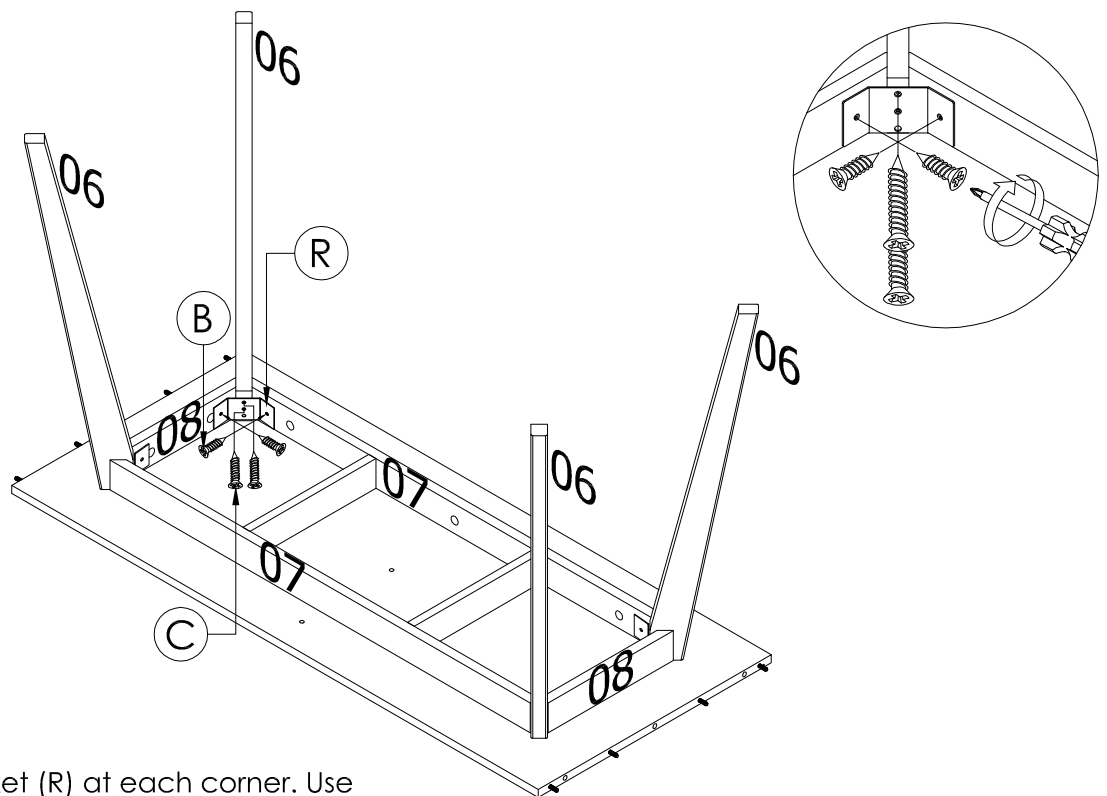
# STEP 9



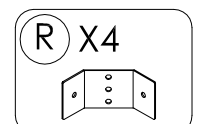
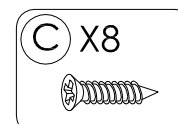
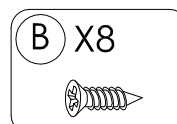
a) Insert Cam-lock (L) into designated holes on Bottom Center & Side Rail (07 & 08). Use a Flat Screwdriver to turn (L) clockwise to lock onto Cam-bolts. Refer to Page 4 for instructions on inserting and tightening Cam-lock.



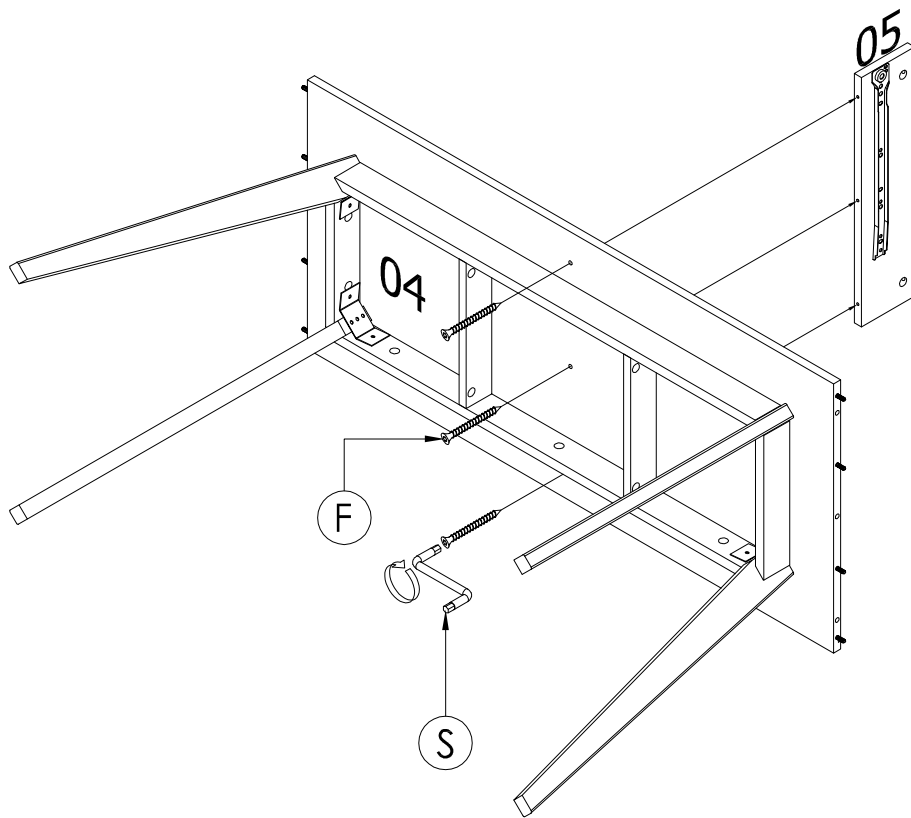
# STEP 10



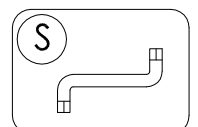
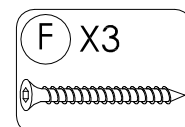
Install Table Bracket (R) at each corner. Use Screw (B) to fasten (R) to Bottom Center and Side Rail (07 & 08) and Screw (C) to fasten Table Leg to (R).



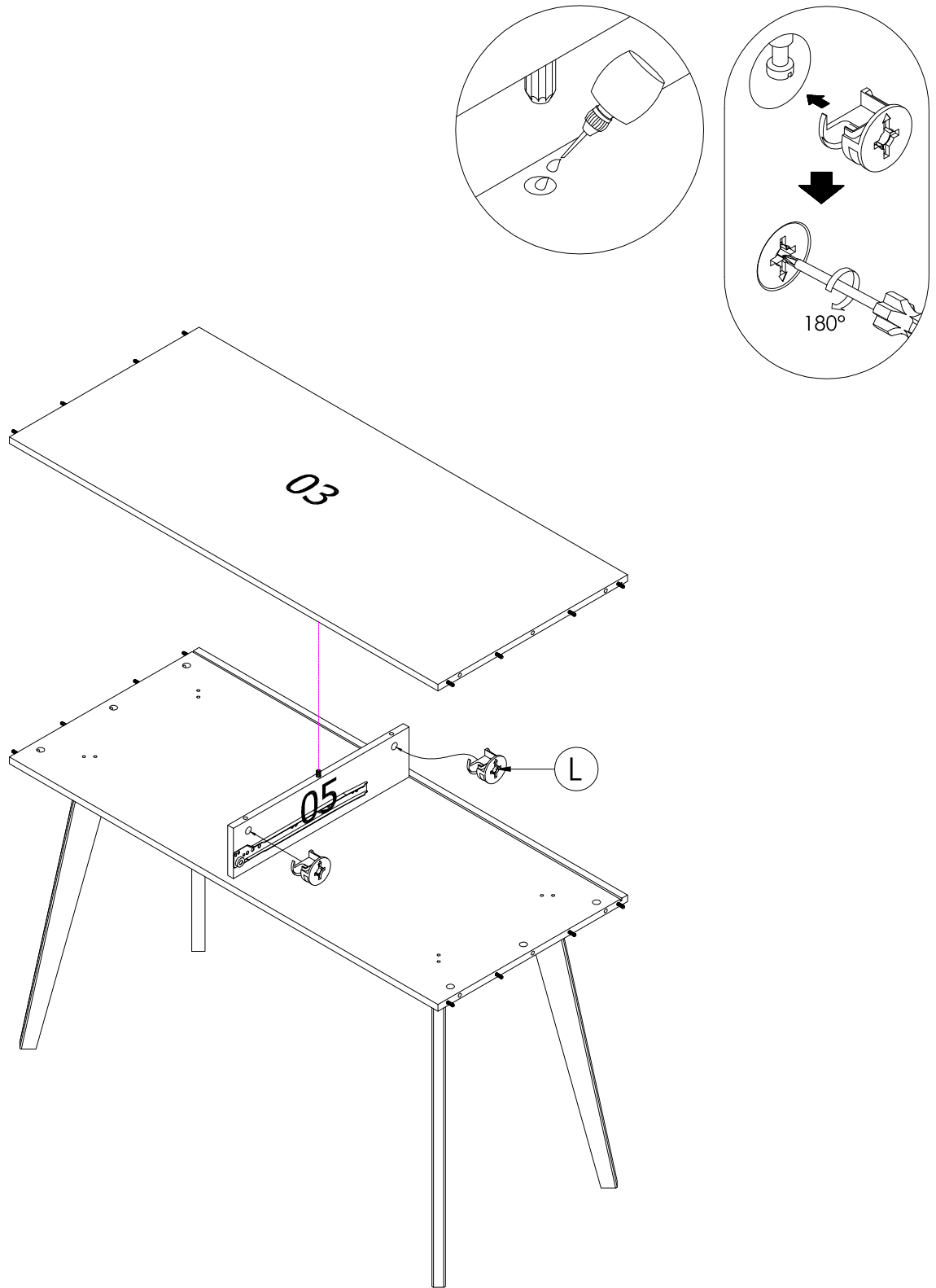
# STEP 11



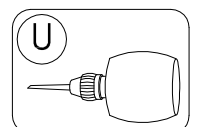
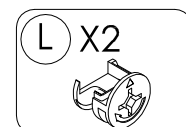
Use Screw (F) to fasten Center Panel (05) from STEP 5 to Bottom (04). Use Allen Key (S) to drive (F). Do not tighten (F) completely until all 3 screws are in place.



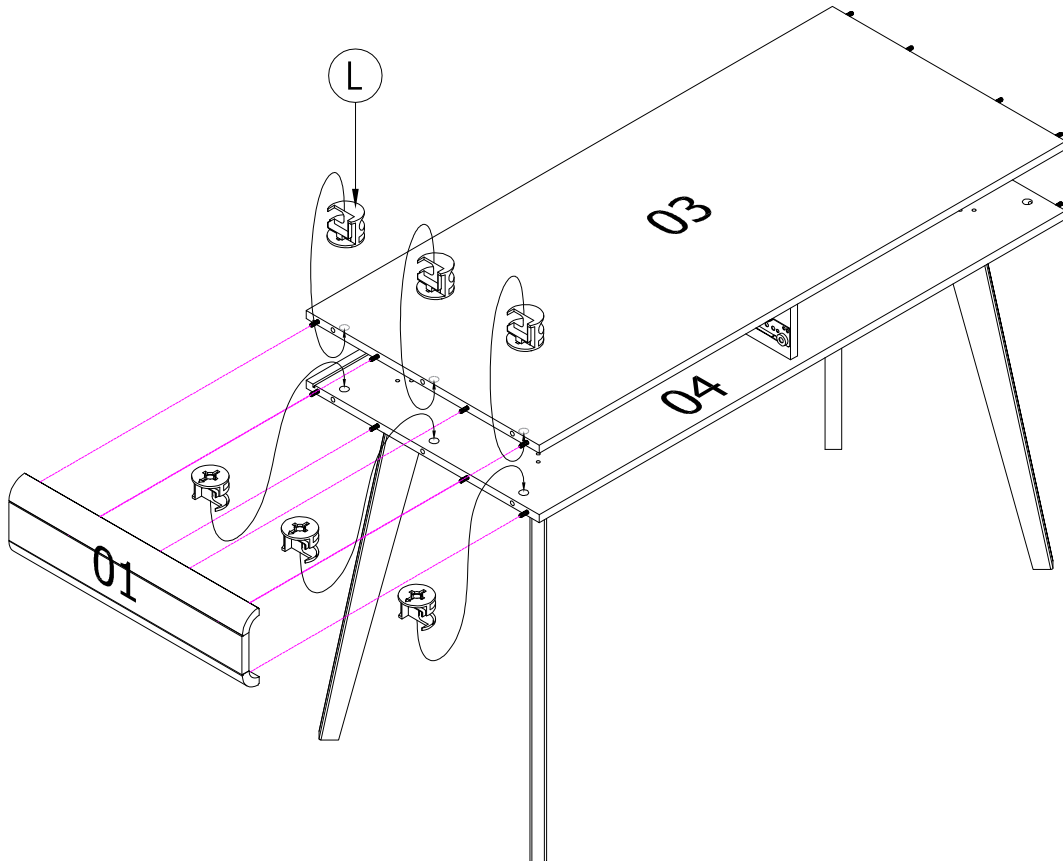
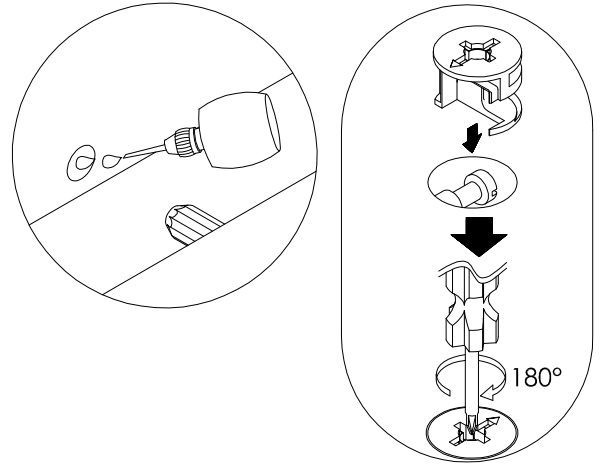
# STEP 12



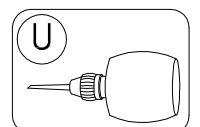
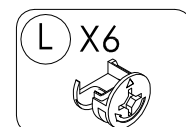
- a) Apply Glue (U) into the middle hole on top edge of Center Panel (05) and attach Top Panel (03) from STEP 2 via cam-bolt and wood dowels on the respective parts.
- b) Insert Cam-lock (L) into designated holes on (05) and turn clockwise to lock onto cam-bolt on (03).



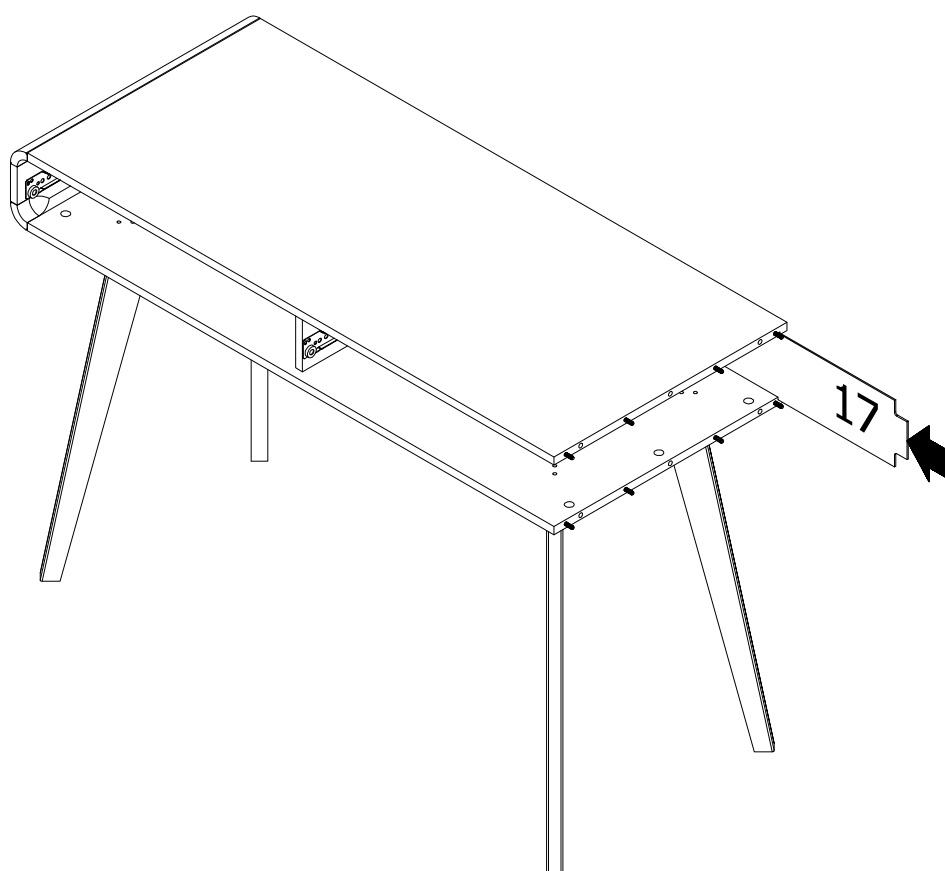
# STEP 13



- Apply Glue (U) into the 4 designated holes on Left Panel (01) and attach (01) to the side edge of Top and Bottom Panel (03 & 04) via cam-bolt and wood dowels on the respective parts.
- Insert Cam-lock (L) into designated holes on (03 & 04) and turn clockwise to lock onto cam-bolt on (01).

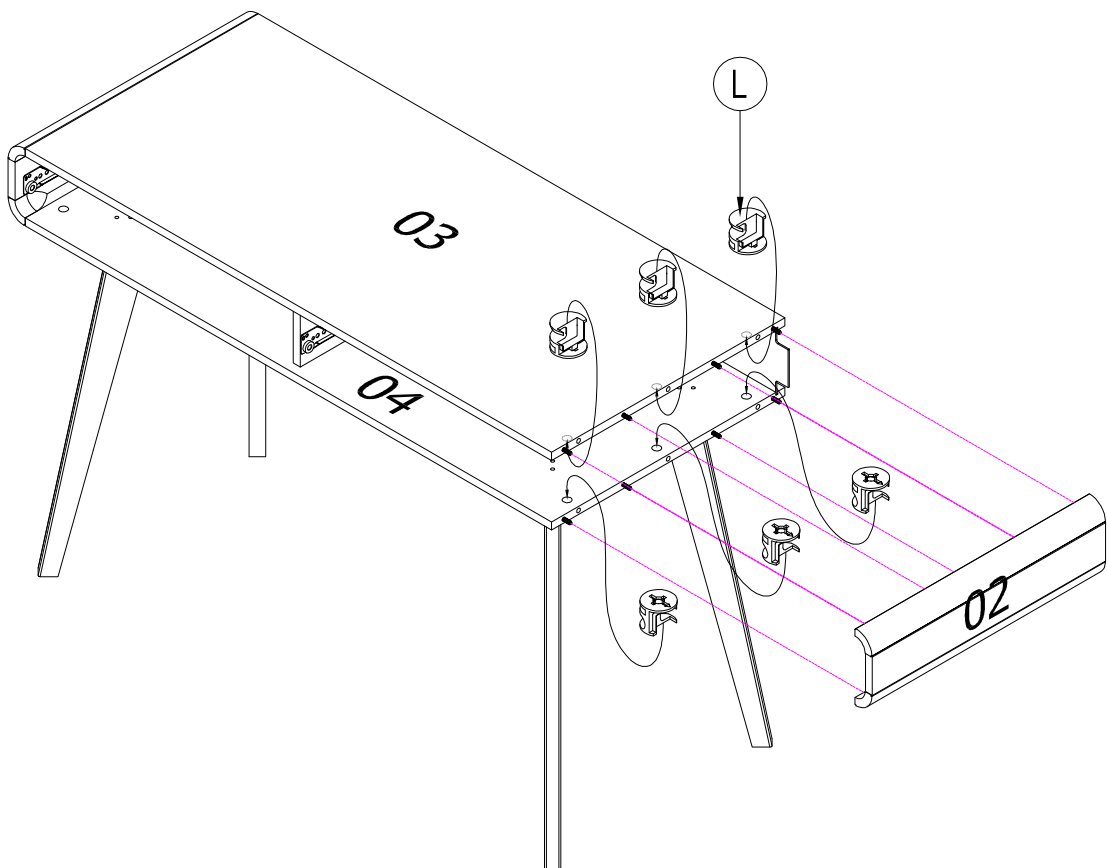
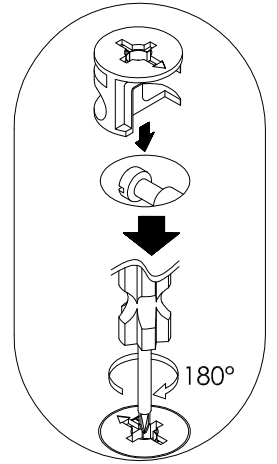
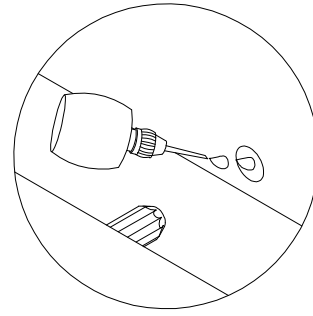


# STEP 14

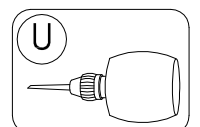
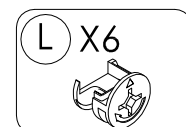


a) Fit Back Panel (17) between Top and Bottom Panel via groove on Top and Bottom Panel.

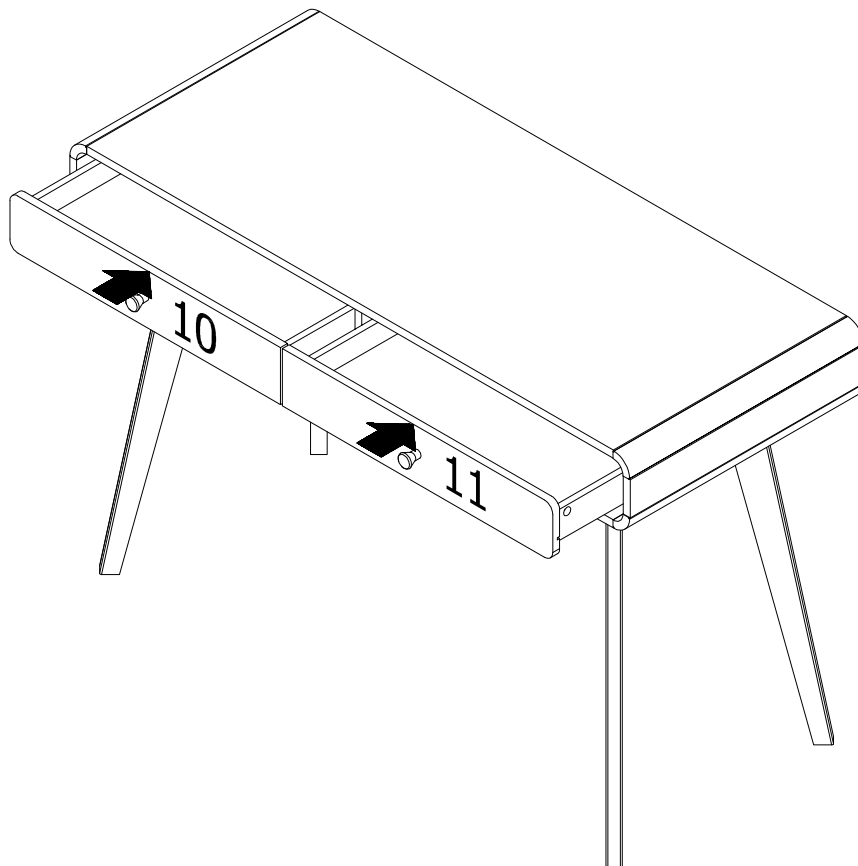
# STEP 15



- Apply Glue (U) into the 4 designated holes on Right Panel (02) and attach (02) to the side edge of Top and Bottom Panel (03 & 04) via cam-bolt and wood dowels on the respective parts.
- Insert Cam-lock (L) into designated holes on (03 & 04) and turn clockwise to lock onto cam-bolt on (02).



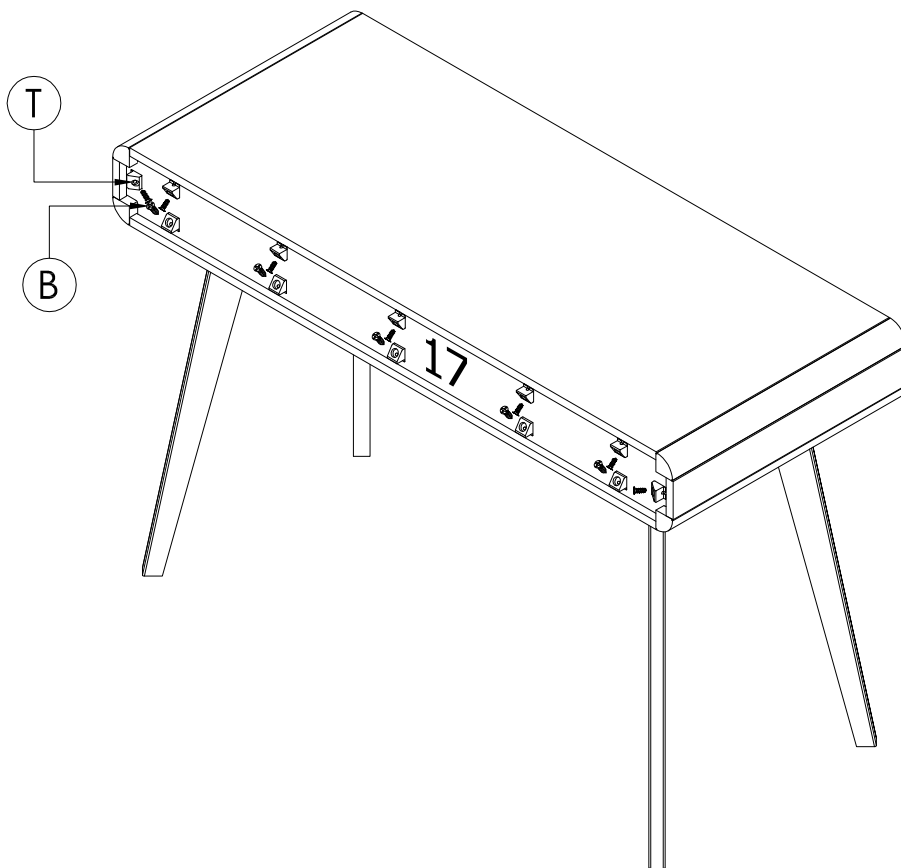
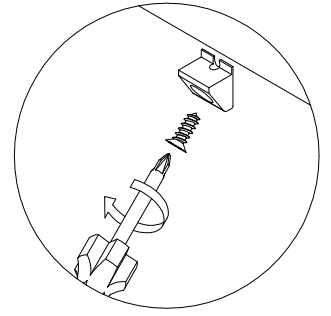
# STEP 16



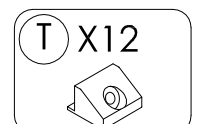
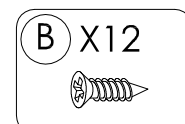
Insert the Drawers:

Position roller on Drawer Slide Q1 & Q2 on Right & Left Drawer Side above the roller on Drawer Slide P1 & P2 on Side and Center Panels and slide roller on Q1 & Q2 into track rail on P1 & P2. Next, push in drawer squarely and gently.

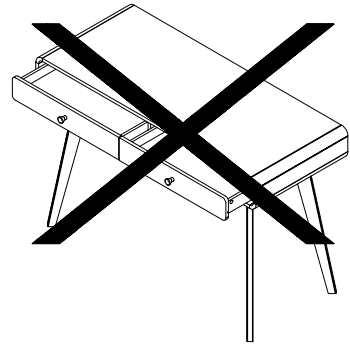
# STEP 17



a) Insert Backply Stopper (T) at each location as shown to fit into the groove and against Back Panel (17) and fasten (T) using Screw (B).



# STEP 18



CAUTION:  
PLEASE DO NOT FULLY  
OPEN DRAWERS  
SIMULTANEOUSLY AS IT  
WILL CAUSE THE DESK TO  
TIP OVER.

