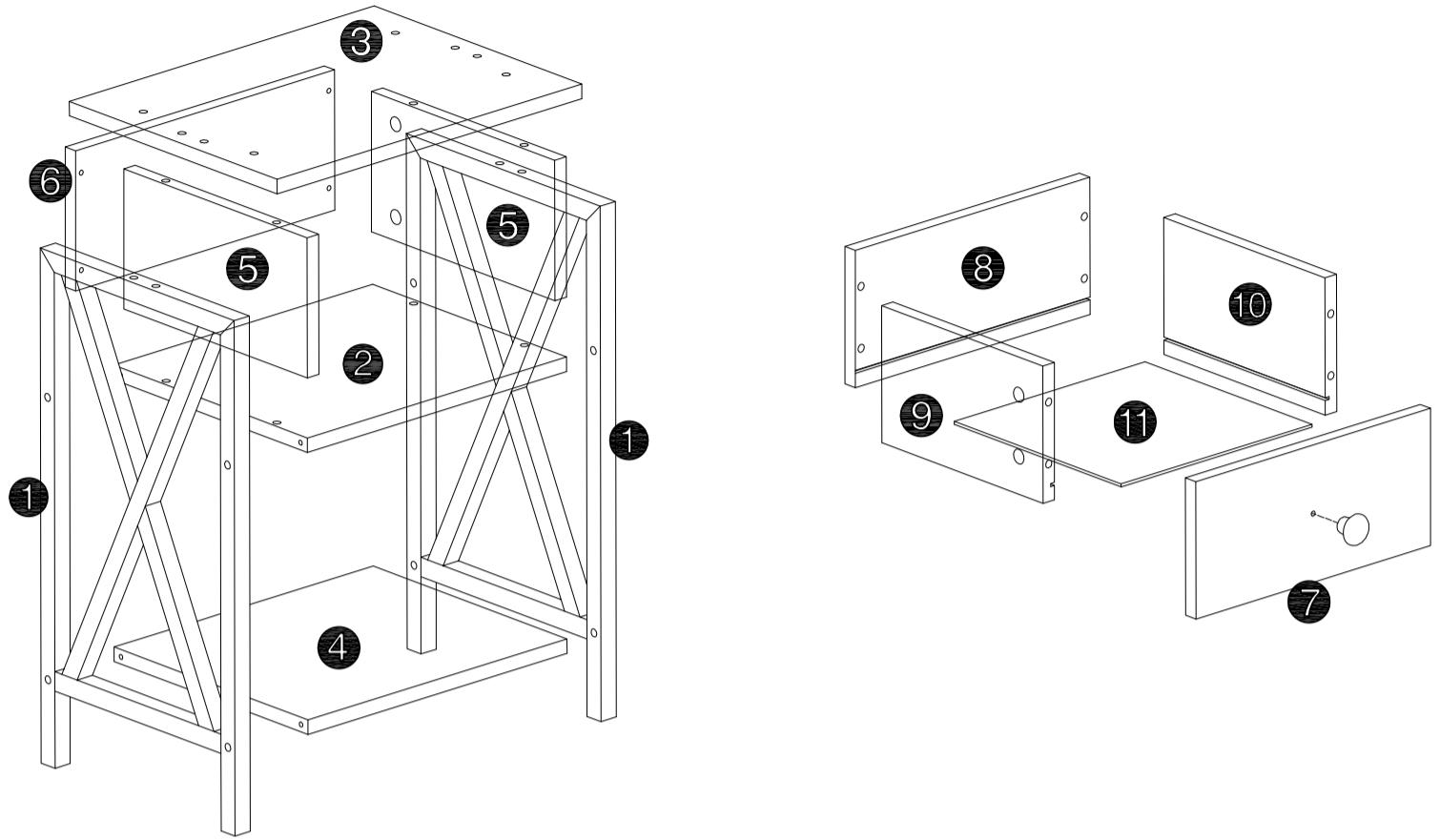
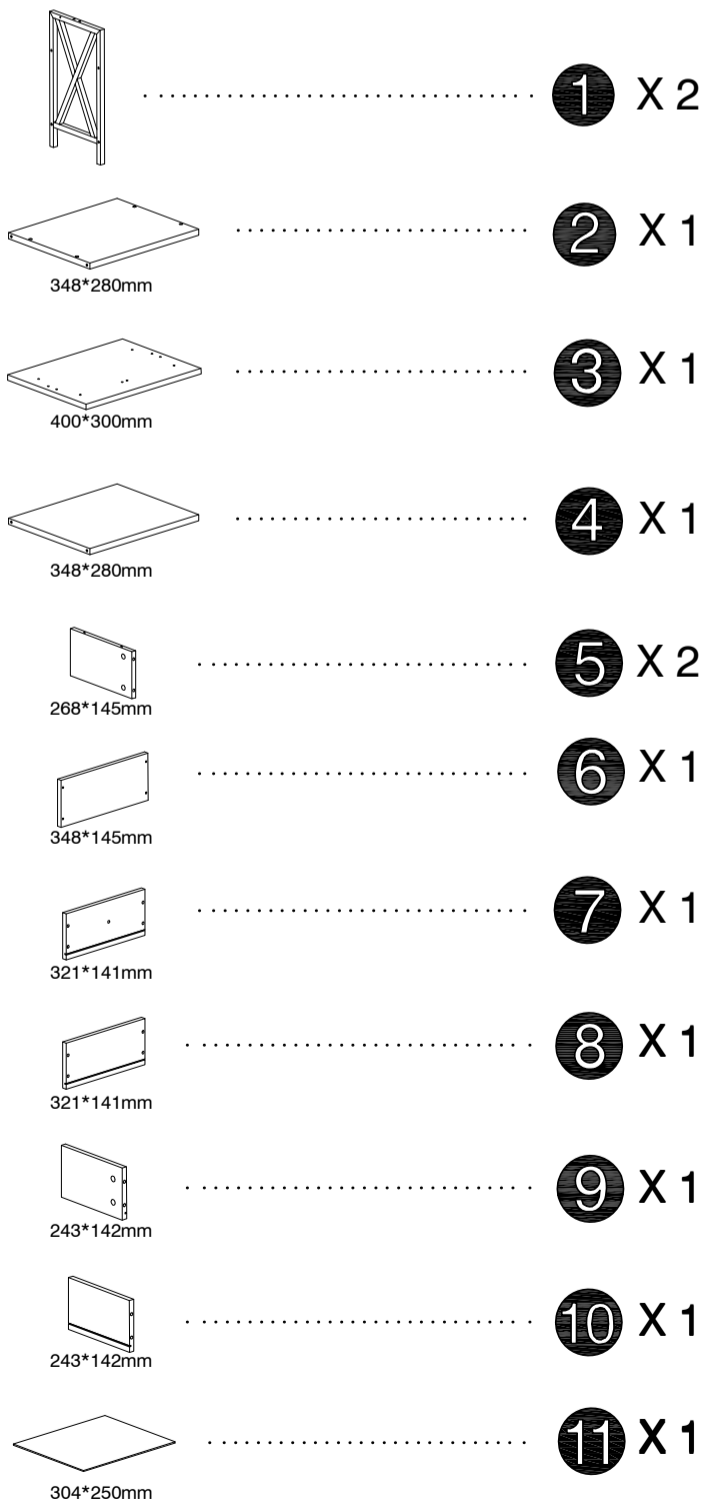


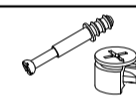

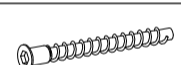



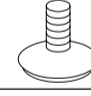



# Bedside Cupboard Installation Manual



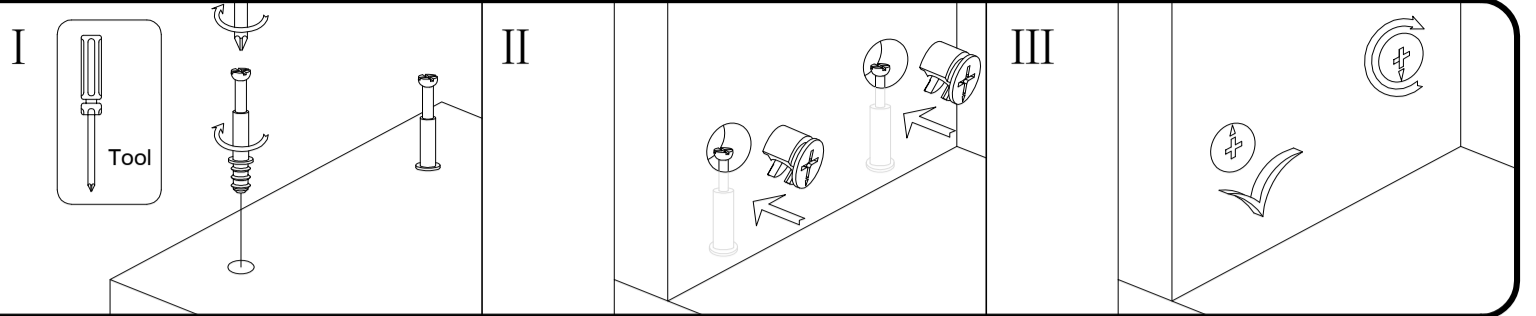
## Componets



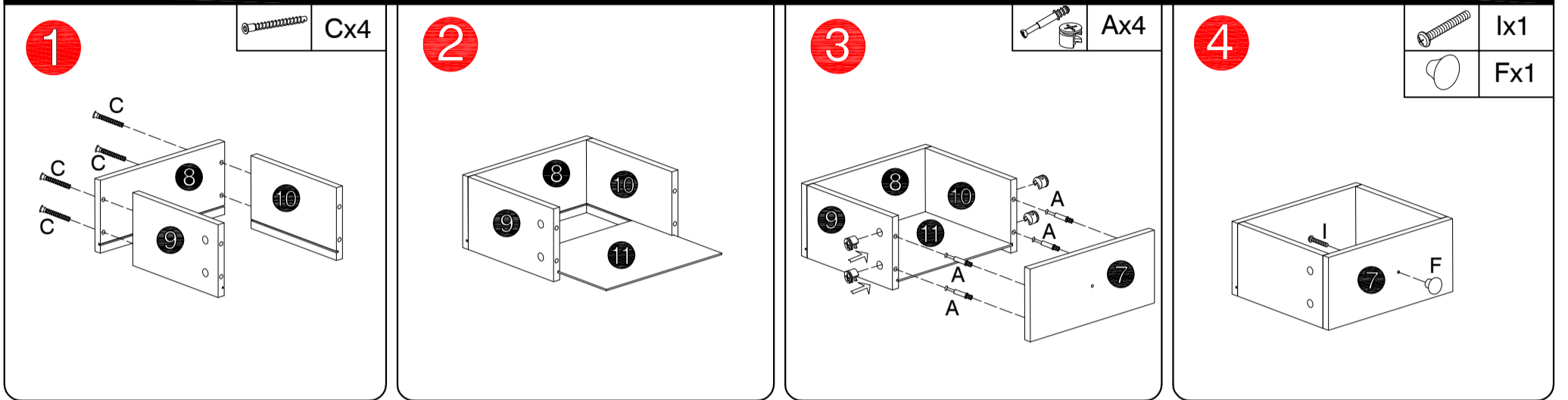
## Screws & Tolls

<b>A</b>			X 8
<b>B</b>		∅6*30mm	X 8
<b>C</b>		∅5*40mm	X 12
<b>D</b>		M6*24mm	X 4
<b>E</b>			X 2
<b>F</b>			X 1
<b>G</b>			X 4
<b>H</b>			X 1
<b>I</b>		M4*16mm	X 1
<b>J</b>		4mm      3mm	X 1

"A" Hardware installation example

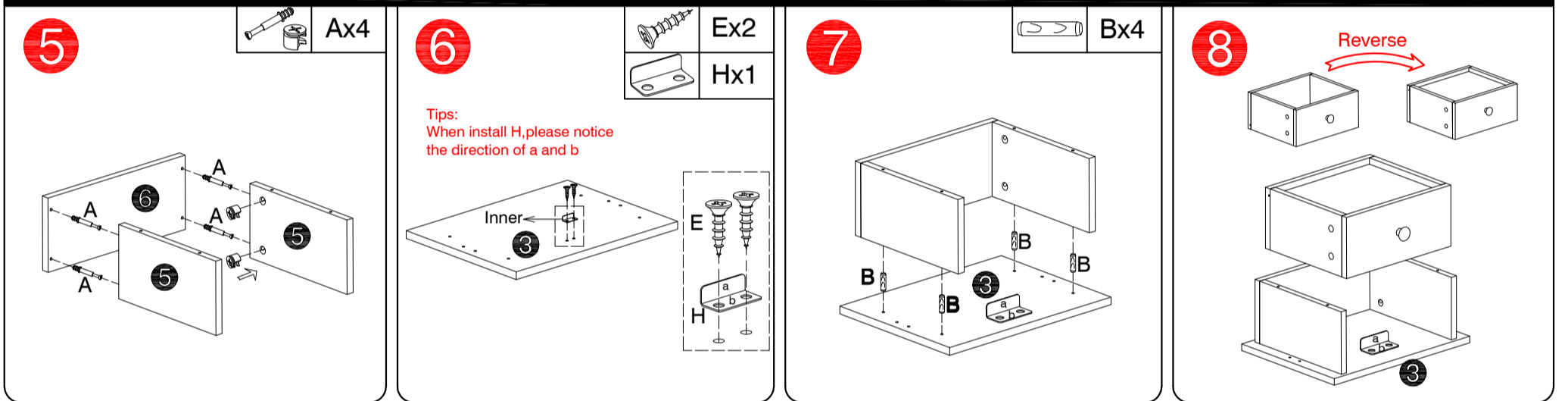


StepA:Drawer Assembly

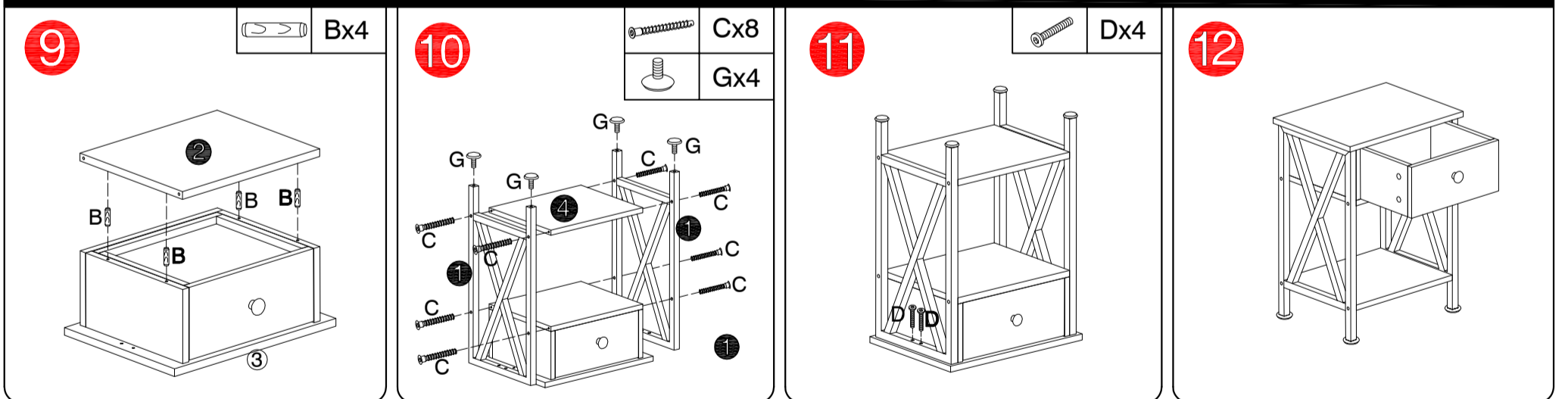


StepB:Drawer Outer Frame Assembly (5 6 7)

StepC:Assemble Drawer Embed in Drawer Outer Frame(8)



StepD:Main frame assembly



StepE:Check and tighten all screws

