

ASSEMBLY INSTRUCTIONS



Fine Furniture for every stage of life

Queen Storage Bed

REVISION 0 : 11/05/2019
REVISION 1 : 08/07/2020
REVISION 2 : 09/04/2023

ASSEMBLY INSTRUCTIONS

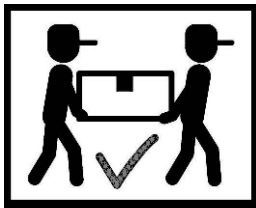
ASSEMBLY TIPS:

1. Remove hardware from box and sort by size.
2. Please check to see that all hardware and parts are present prior to start of assembly.
3. Please follow attached instructions in the same sequence as numbered to assure fast & easy assembly.



WARNING!

1. Don't attempt to repair or modify parts that are broken or defective. Please contact the store immediately.
2. This product is for home use only and not intended for commercial establishments.



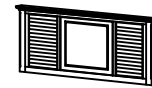
ASSEMBLY TIME

30 MINUTES

PARTS IDENTIFICATION

B1 (BOX 1)

- A HEADBOARD PANEL
- B LEFT HEADBOARD LEG
- C RIGHT HEADBOARD LEG
- D HEADBOARD BOTTOM RAIL



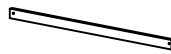
1PC



1PC



1PC



1PC

B2 (BOX 2)

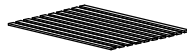
- E STORAGE FOOTBOARD
- F DRAWER SUPPORT LEG WITH LEVELER
- G ROLL SLAT (10PCS)



1PC



2PCS



1SET

B3 (BOX 3)

- H LEFT BED RAIL
- I RIGHT BED RAIL
- J CENTER RAIL
- K CENTER RAIL SUPPORT WITH LEVELER
- L CONCEAL PANEL



1PC



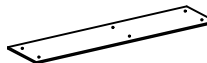
1PC



1PC

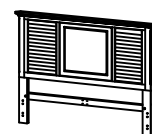


2PCS



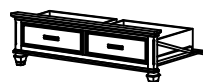
4PCS

- HB HEADBOARD COMPLETE



1PC

- FB STORAGE FOOTBOARD COMPLETE



1PC

ASSEMBLY INSTRUCTIONS

ASSEMBLY TIPS:

1. Remove hardware from box and sort by size.
2. Please check to see that all hardware and parts are present prior to start of assembly.
3. Please follow attached instructions in the same sequence as numbered to assure fast & easy assembly.



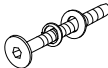











WARNING!

1. Don't attempt to repair or modify parts that are broken or defective. Please contact the store immediately.
2. This product is for home use only and not intended for commercial establishments.

HARDWARE IDENTIFICATION

Z-B3 (BOX 3) - HARDWARE PACK IS LOCATED

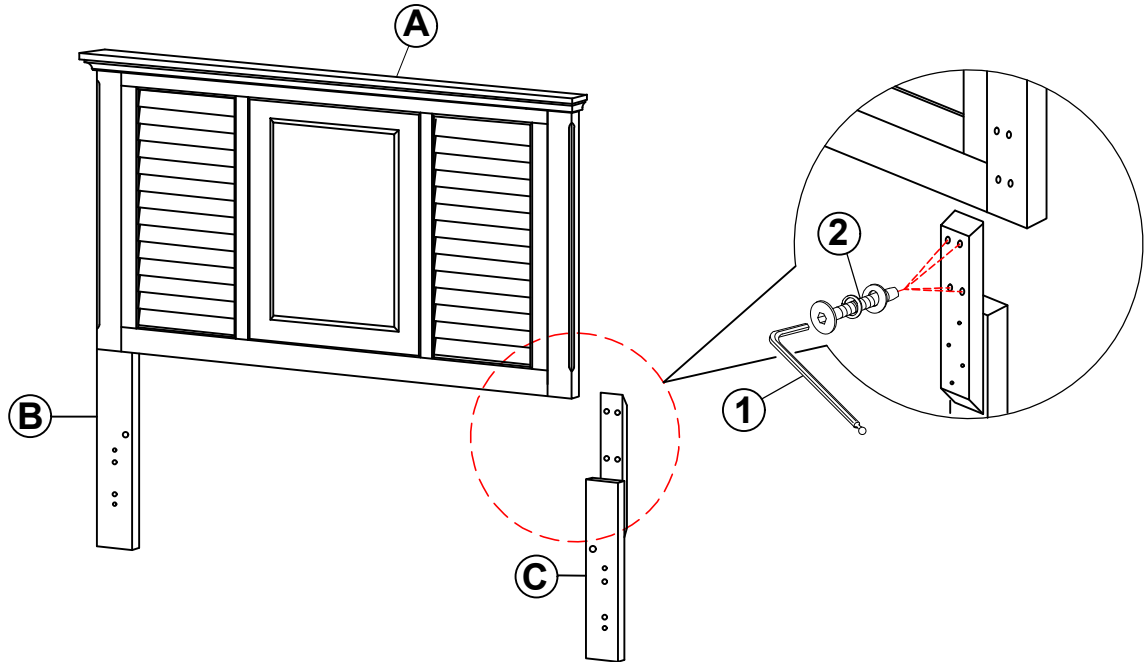
1	ALLEN WRENCH (M4 x 110mm - BLK)		1PC
2	SHORT BOLT (M6 x 50mm - BLK)		16PCS
3	LONG BOLT (M6 x 70mm - BLK)		4PCS
4	WOOD DOWEL (M8 x 30mm)		4PCS
5	SHORT PAN HEAD SCREW (M4 x 12mm - BLK)		24PCS
6	LONG PAN HEAD SCREW (M4 x 16mm - RBW)		6PCS
7	SHORT FLAT HEAD SCREW (M4 x 20mm - BLK)		8PCS
8	LONG FLAT HEAD SCREW (#8 x 1 1/8" - BLK)		20PCS
9	L BRACKET (BKT-4HC-01(2.0mm) - RBW)		2PCS
10	HEX NUT (M6 - RBW)		2PCS
11	U BRACKET (26 x 63 x 70mm - RBW)		2PCS
12	WRENCH (2 x 24.5 x 85 - RBW)		1PC

NOTE:

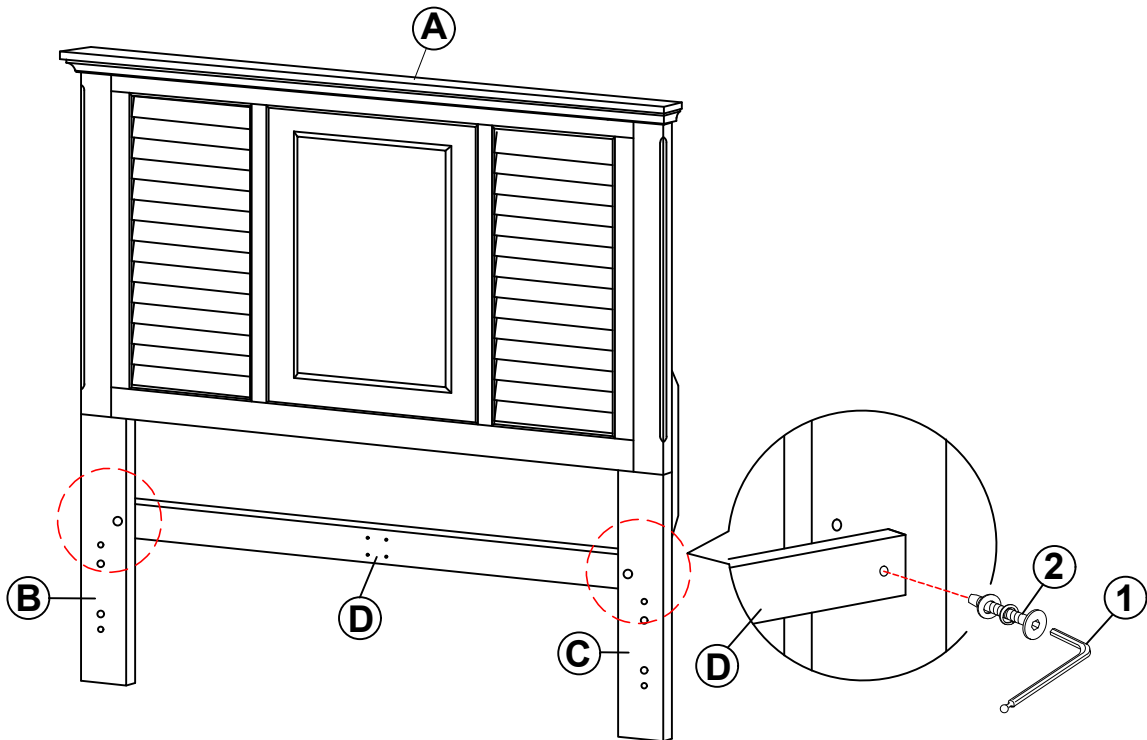
Phillips head screw driver is required in the assembly process; however, manufacturer does not provide this item.

ASSEMBLY INSTRUCTIONS

STEP 1

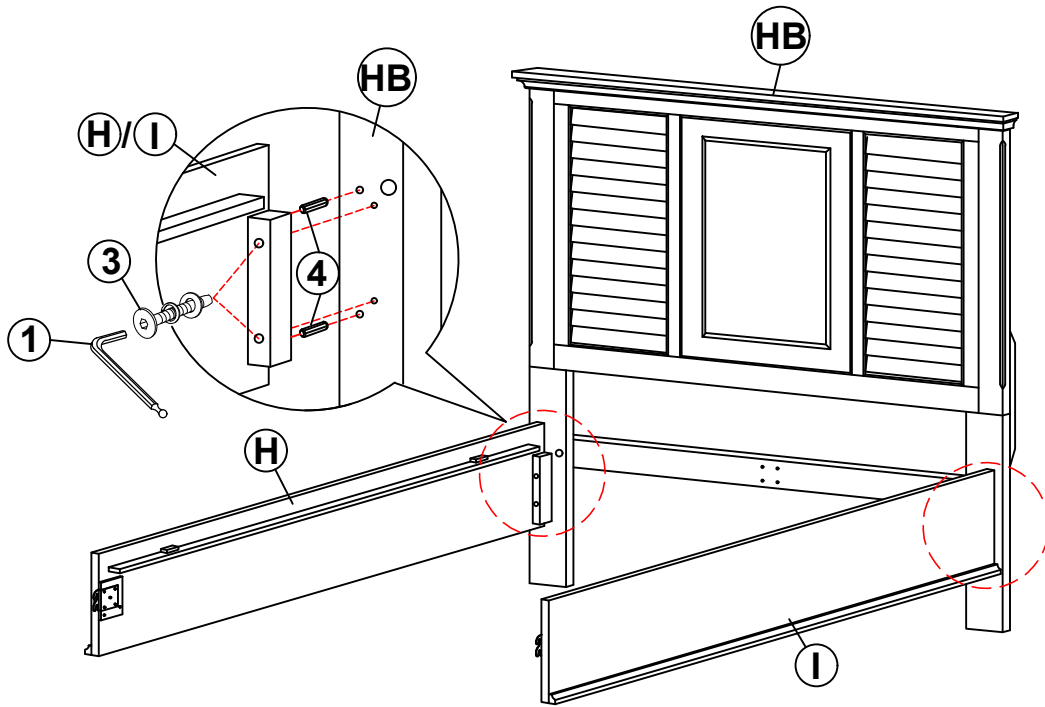


STEP 2

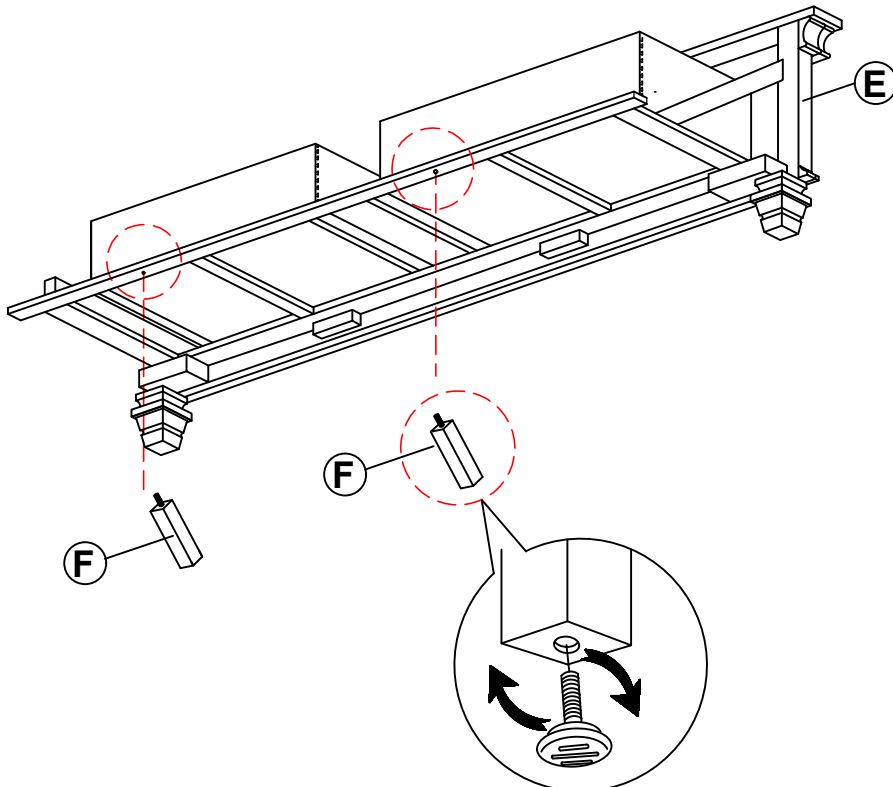


ASSEMBLY INSTRUCTIONS

STEP 3

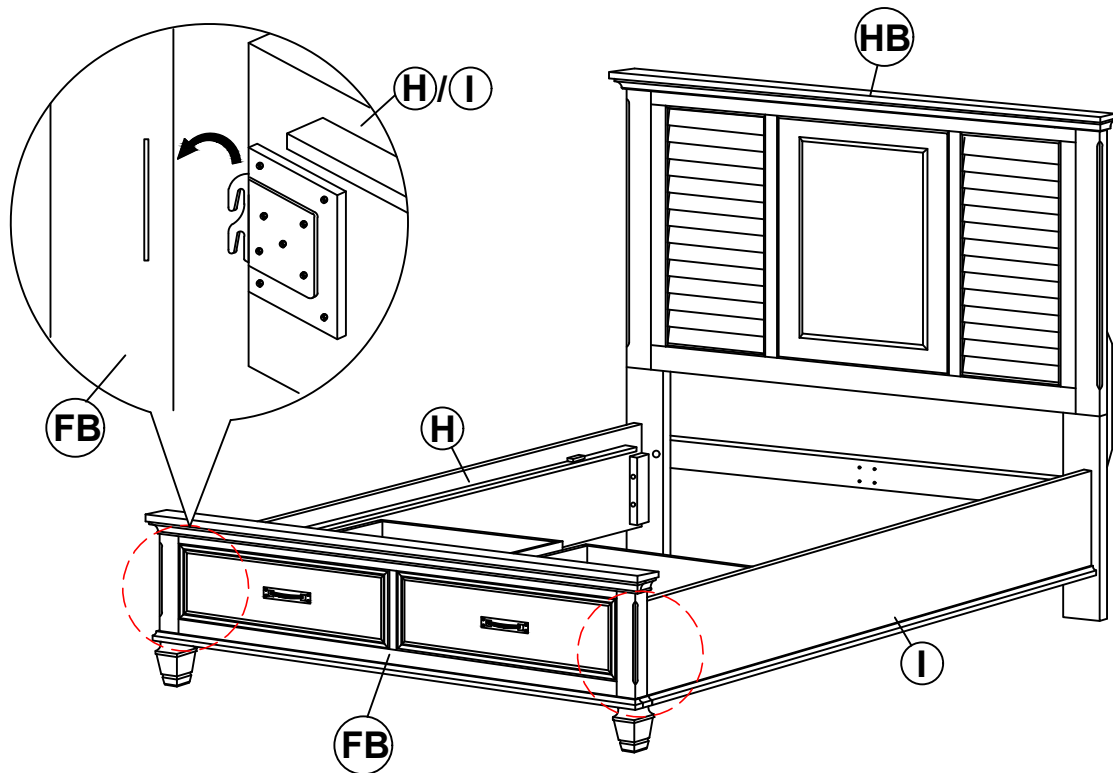


STEP 4

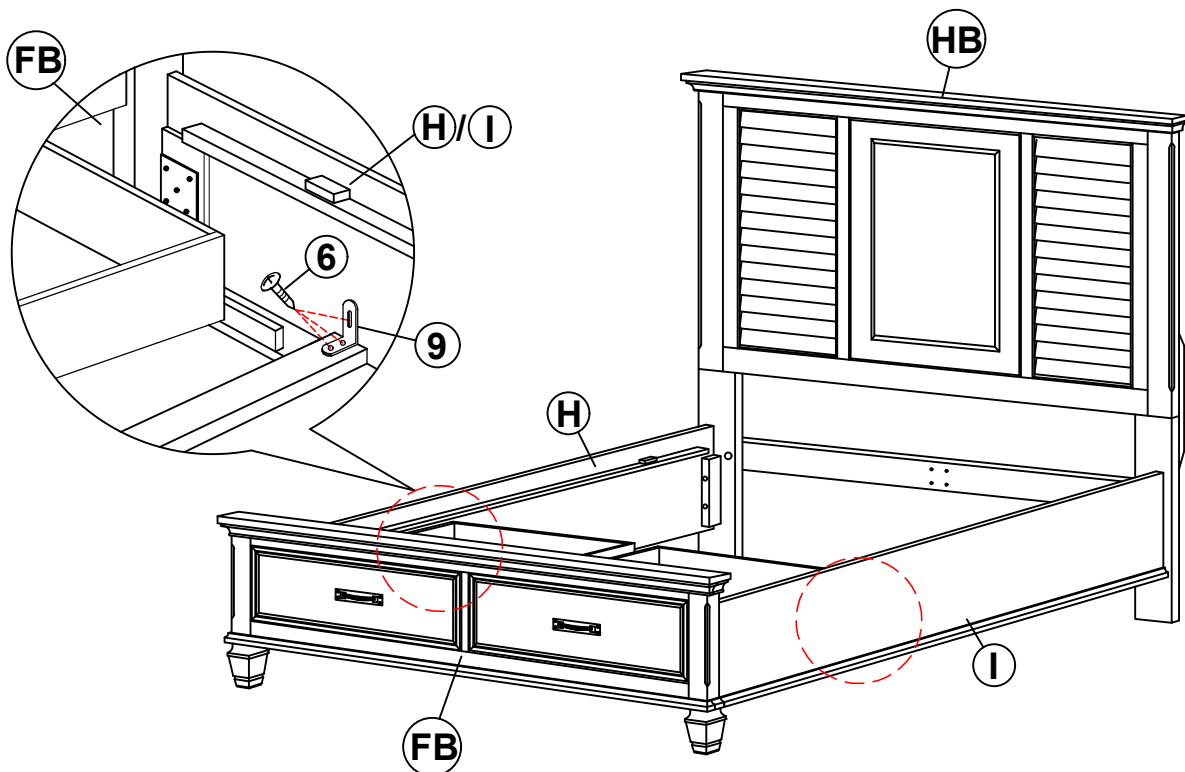


ASSEMBLY INSTRUCTIONS

STEP 5

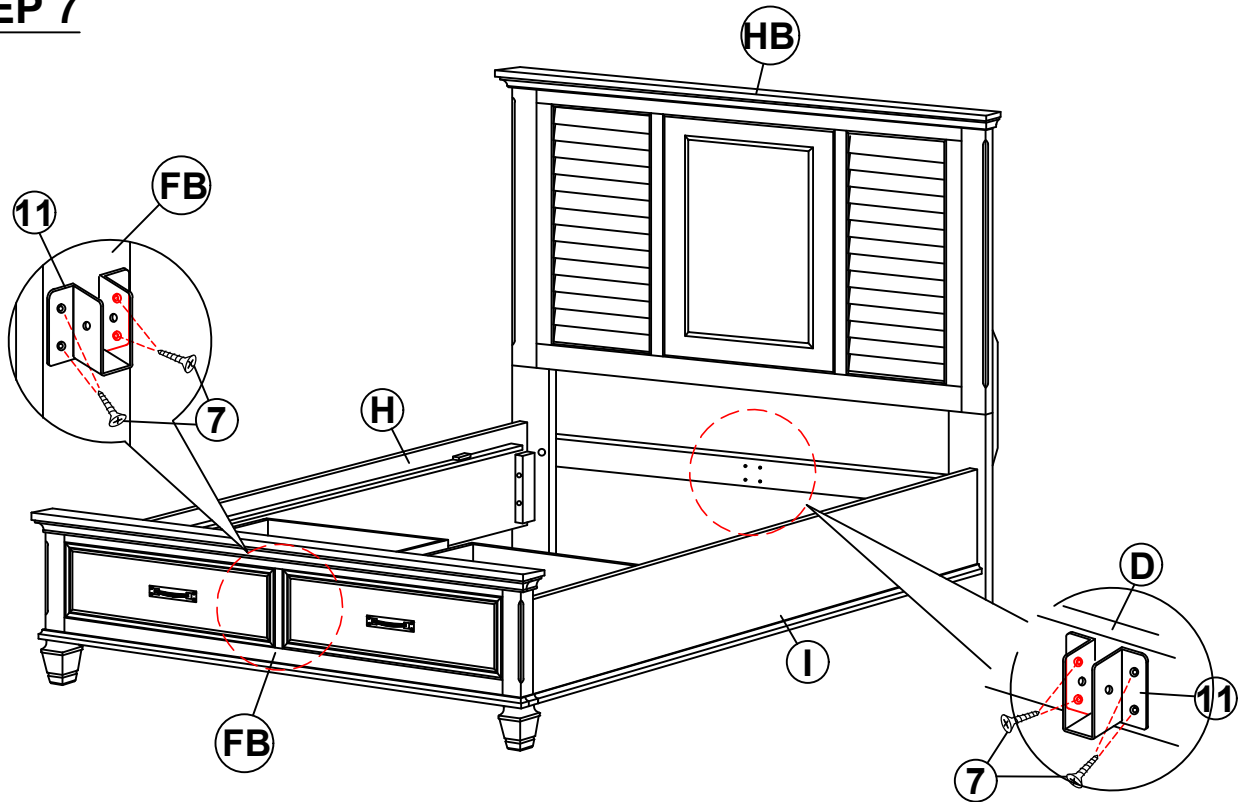


STEP 6

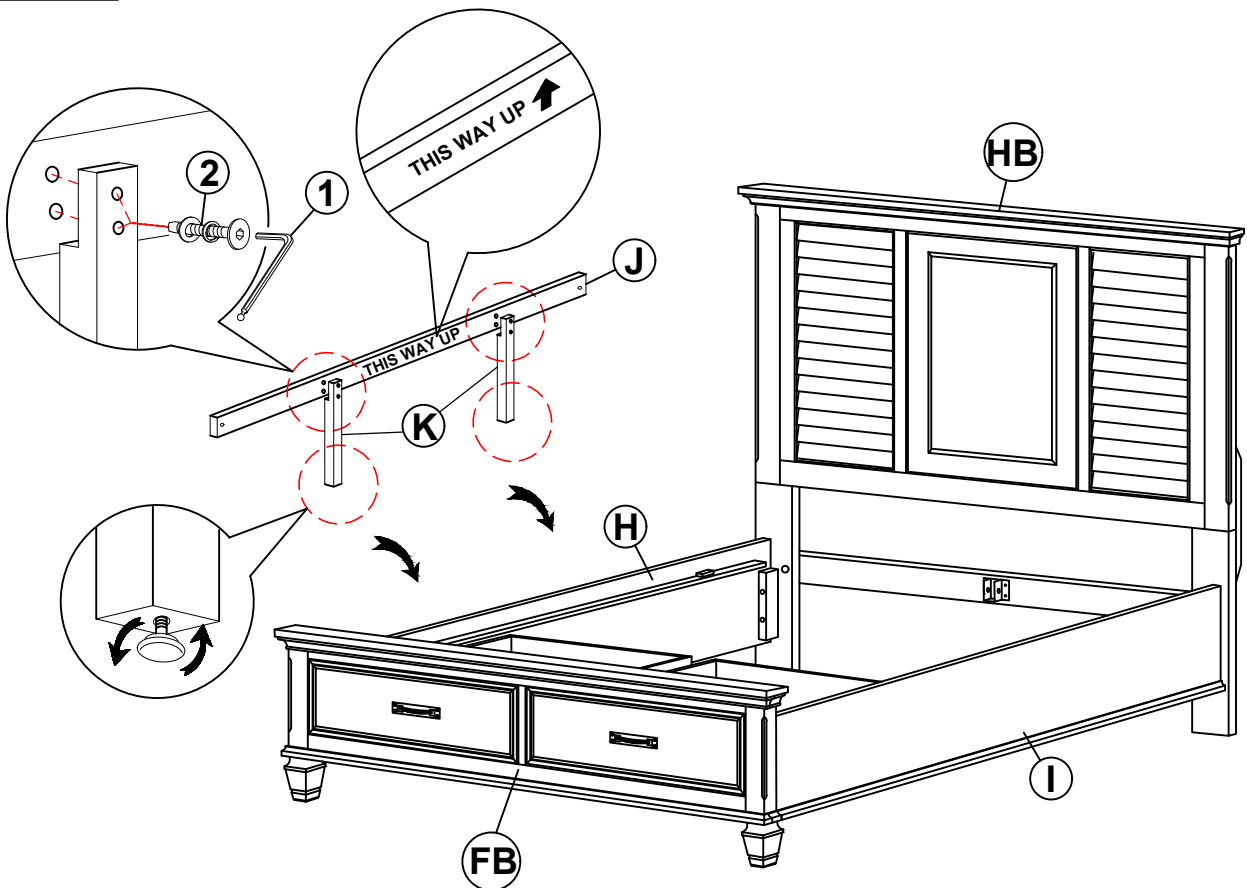


ASSEMBLY INSTRUCTIONS

STEP 7

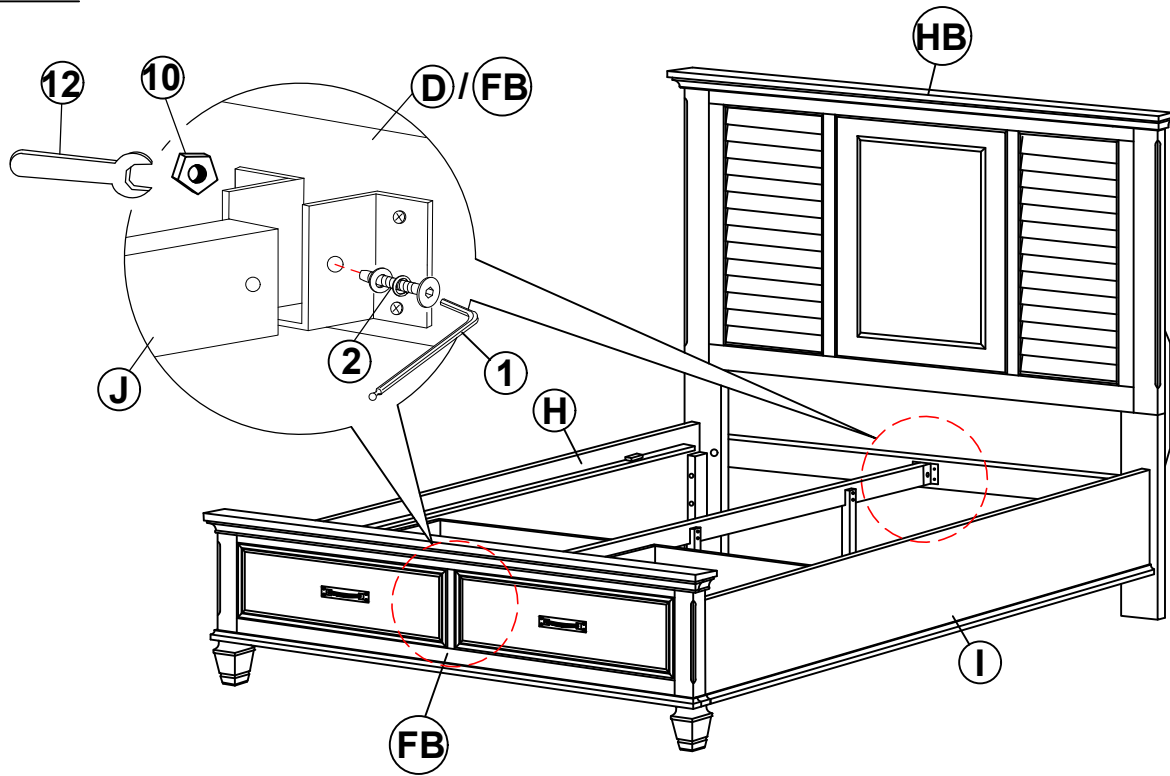


STEP 8

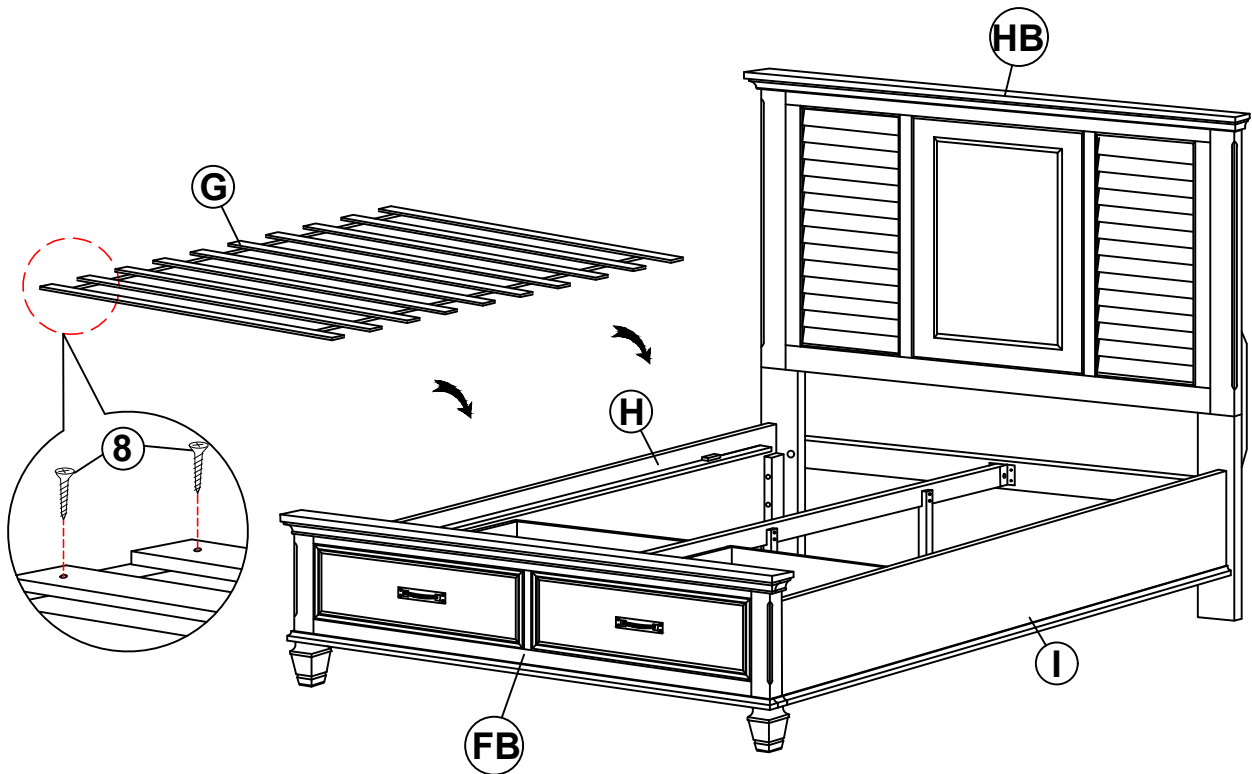


ASSEMBLY INSTRUCTIONS

STEP 9

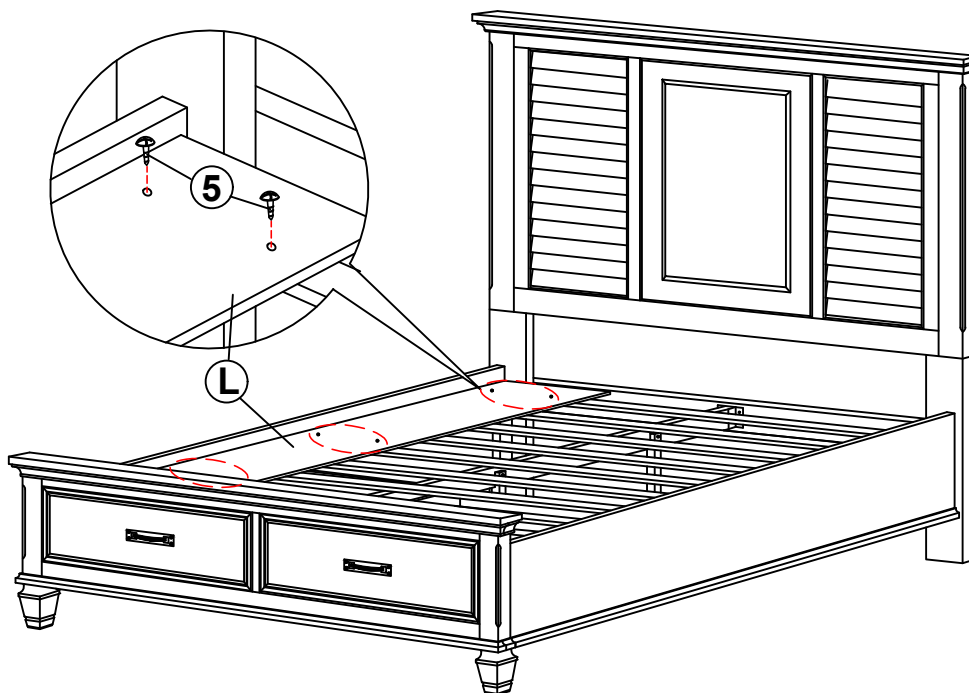


STEP 10



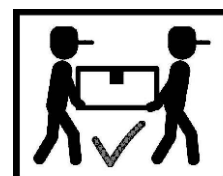
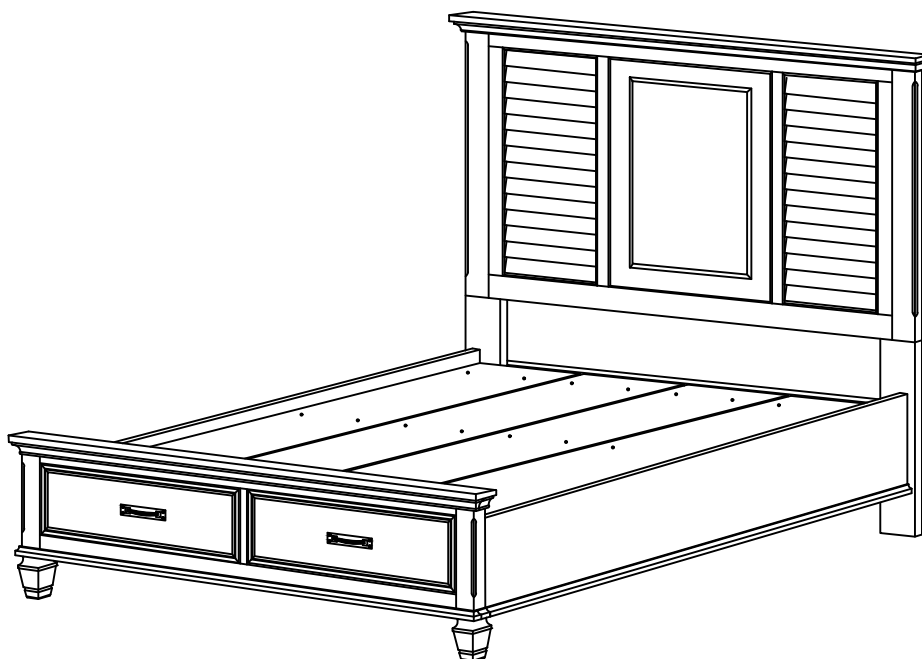
ASSEMBLY INSTRUCTIONS

STEP 11



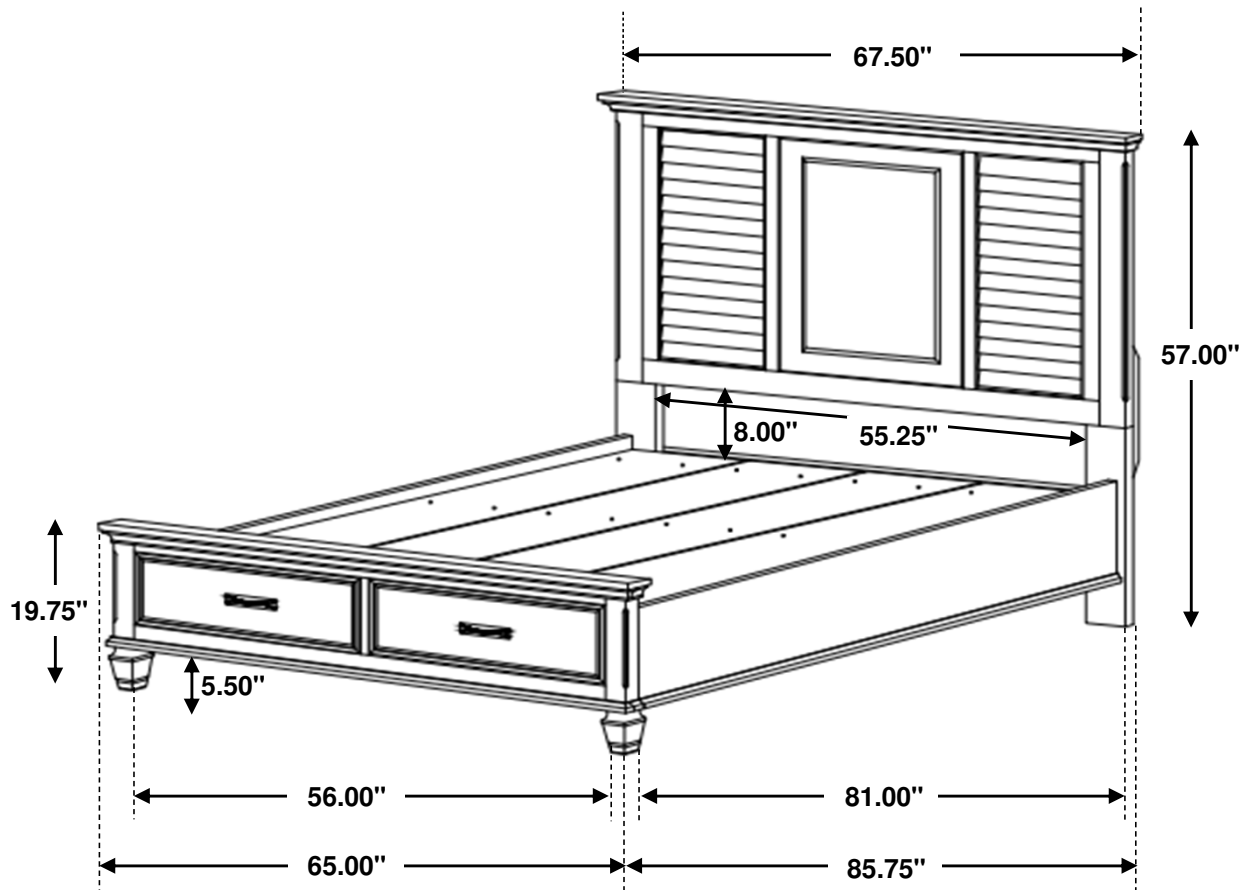
STEP 12

COMPLETE



Inner Size : 61.00"W X 81.00"D

Inner Size of Drawer : 24.00"W X 18.75"D X 5.75"H X 0.50"T



Note : Dimension tolerance $\pm 5\%$