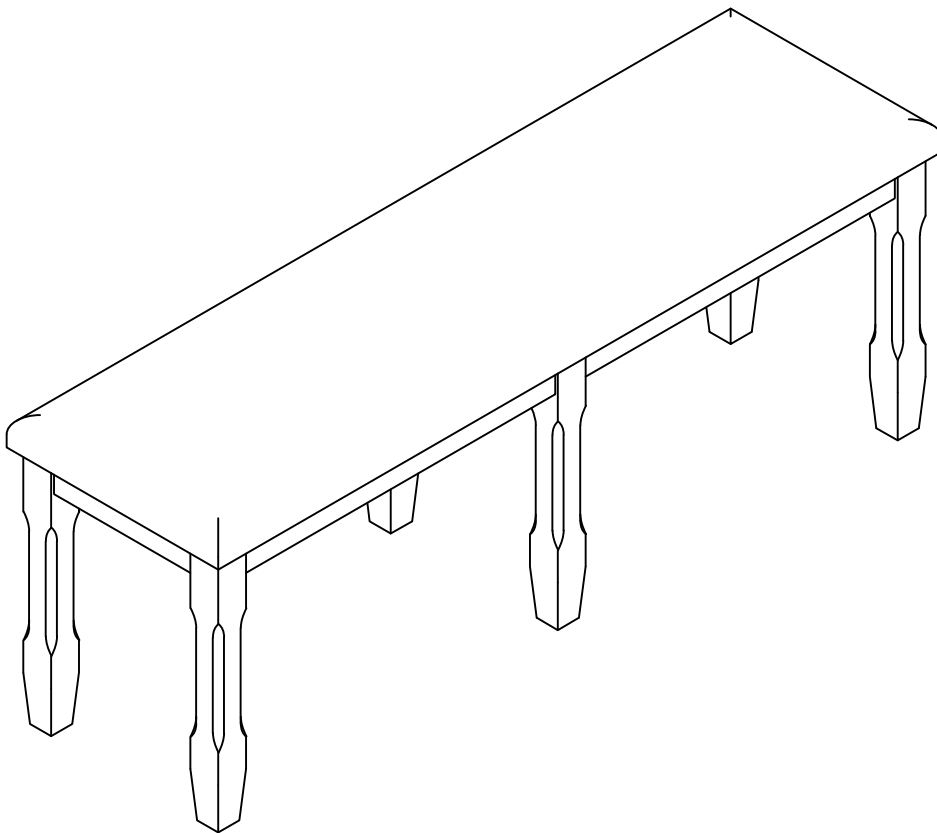


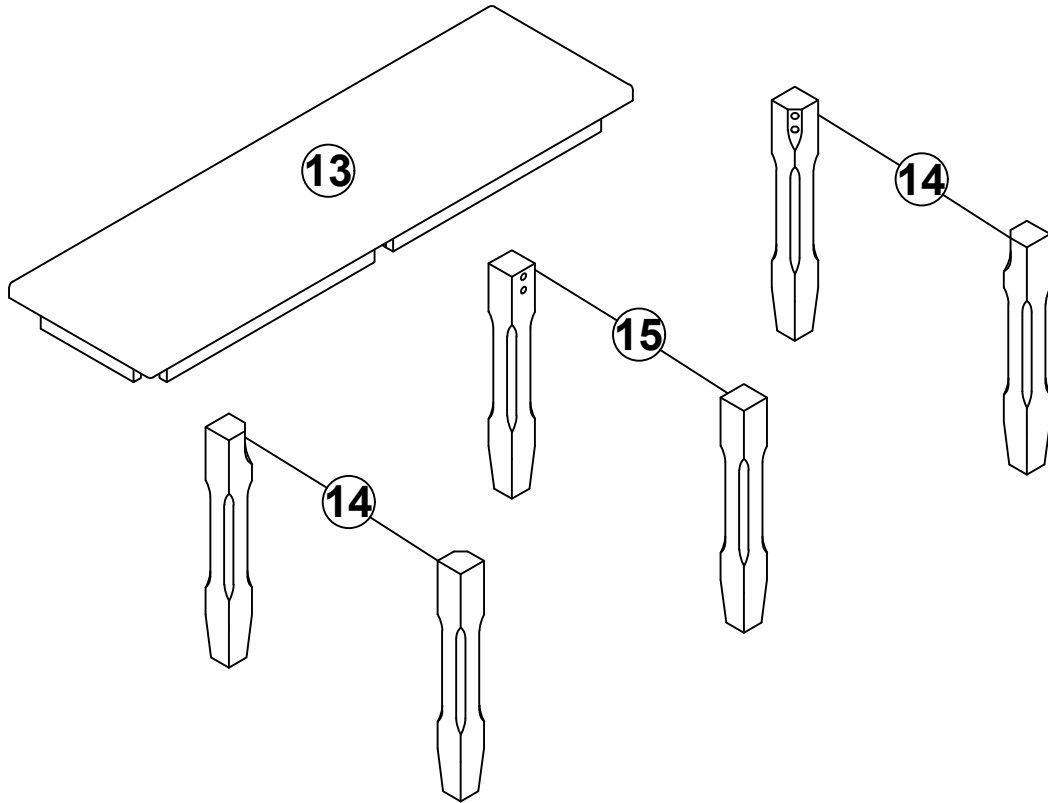
# ASSEMBLY INSTRUCTIONS




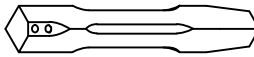


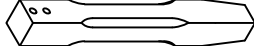


## DINING BENCH



**IMPORTANT NOTE :**

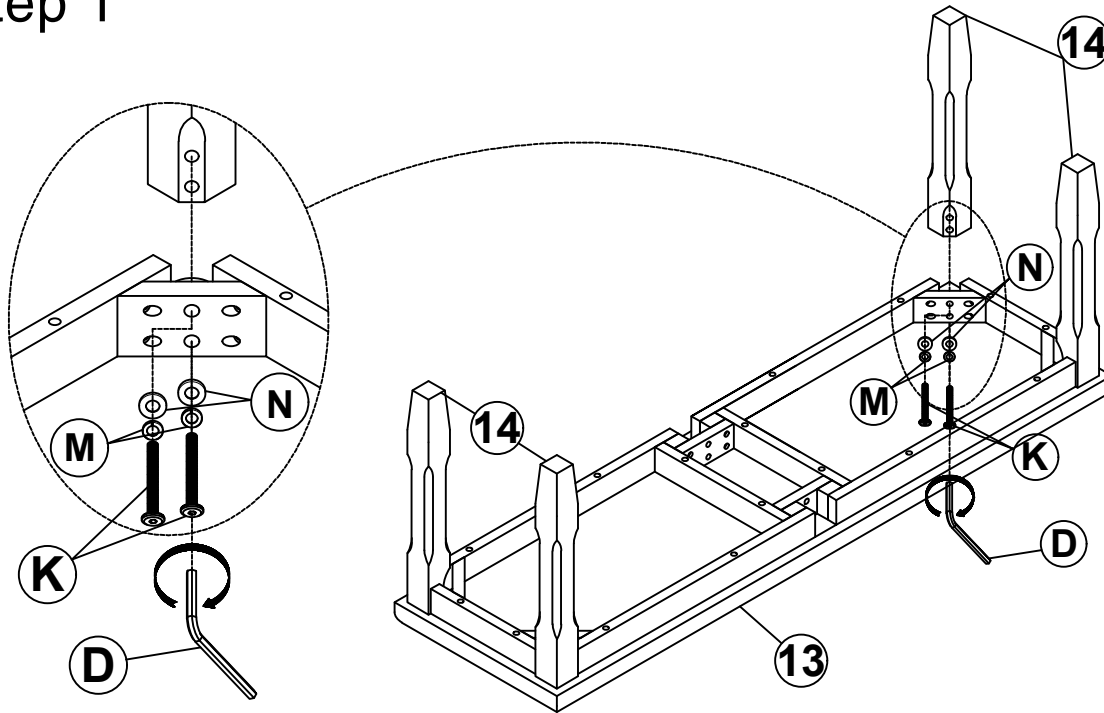
- ① PLACE ALL PARTS ON A CLEAN AND SMOOTH SURFACE SUCH AS A RUG OR CARPET TO AVOID THE PARTS FROM BEING SCRATCHED.
- ② BEFORE YOU BEGIN , KINDLY FOLLOW THE ASSEMBLY INSTRUCTIONS STEP BY STEP.
- ③ DO NOT TIGHTEN ALL SCREWS AND BOLTS UNTIL THE BENCH IS FULLY SET-UP







Part List For One Bench	Hardware List For One Bench
<p><b>13</b></p> 	<p><b>D</b></p>  <p>4mm ALLENKEY (1pc)</p> <p><b>K</b></p>  <p>Ø5/16" x 55mm BOLT (8pcs)</p>
<p><b>14</b></p> 	<p><b>L</b></p>  <p>Ø5/16" x 45mm BOLT (4pcs)</p> <p><b>M</b></p>  <p>Ø5/16" x 13mm SPRING WASHER (12pcs)</p>
<p><b>15</b></p> 	<p><b>N</b></p>  <p>Ø5/16" x 19mm FLAT WASHER (12pcs)</p> <p><b>O</b></p>  <p>ADJUSTABLE FEET (2pcs)</p>
<p>CENTER LEGS BENCH (2pcs)</p>	<p>ADJUSTABLE FEET (2pcs)</p>

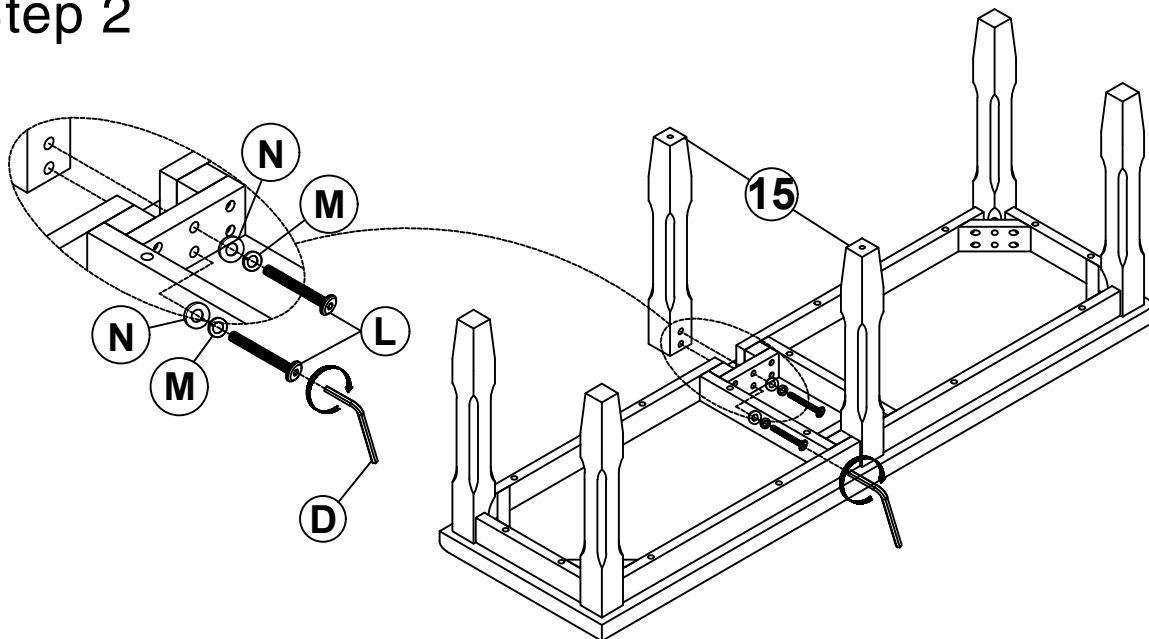
# ASSEMBLY INSTRUCTIONS





## Step 1



<b>K</b>	5/16x55		8PCS	<b>M</b>	5/16x13		8PCS
<b>D</b>	4x58		1PC	<b>N</b>	5/16x19		8PCS

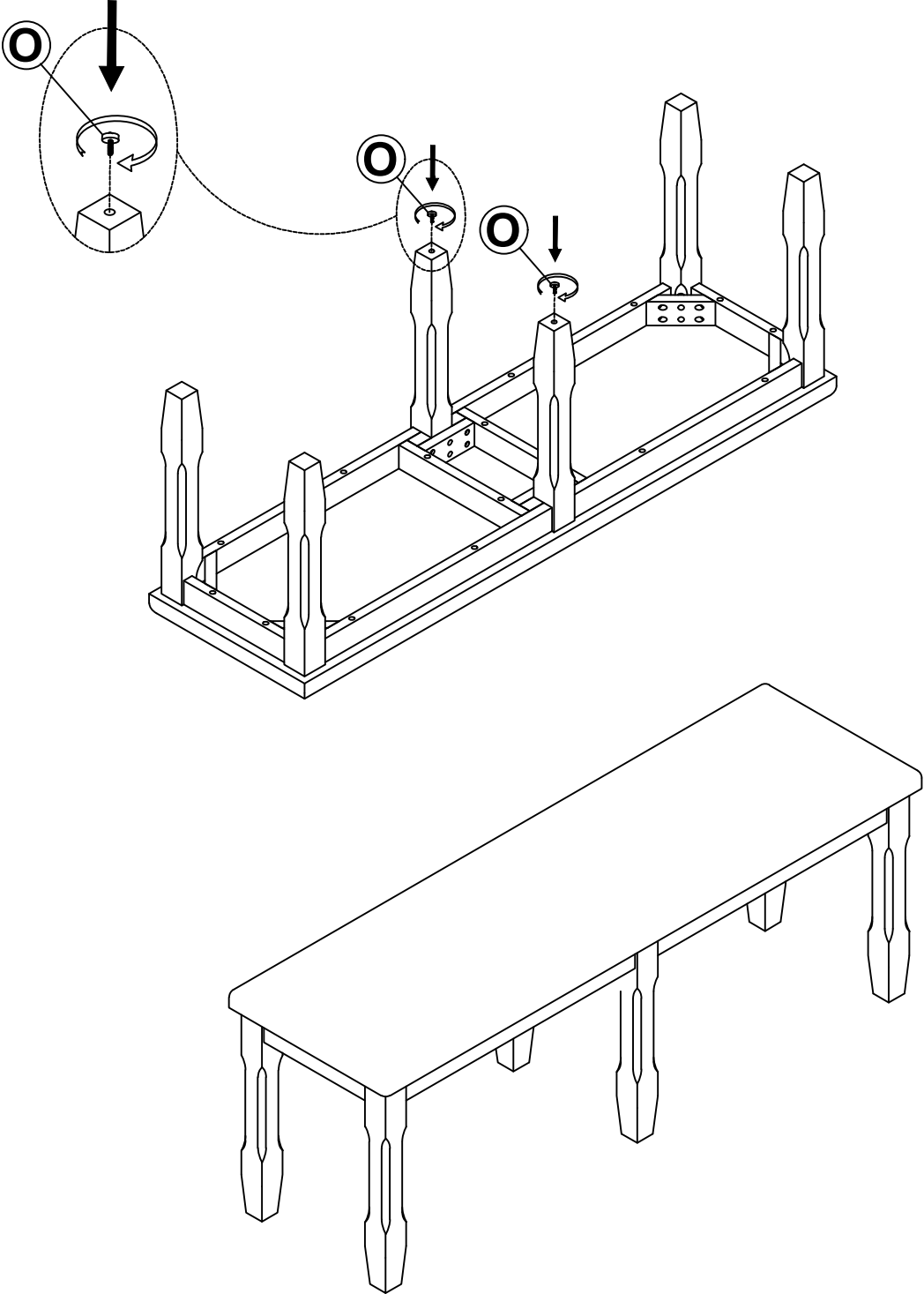
## Step 2



<b>L</b>	5/16x45		4PCS	<b>M</b>	5/16x13		4PCS
<b>D</b>	4x58		1PC	<b>N</b>	5/16x19		4PCS

# ASSEMBLY INSTRUCTIONS

## Step 3



<b>O</b>	1/4x25		2PCS
----------	--------	---	------