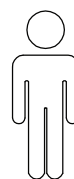
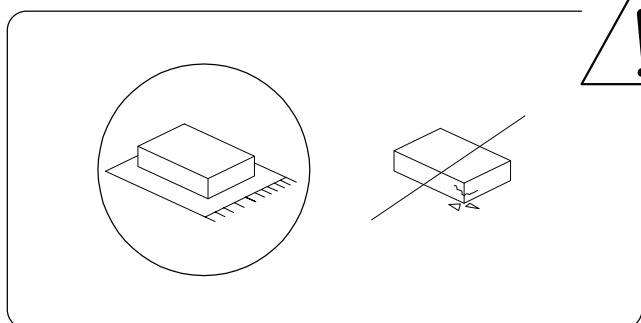
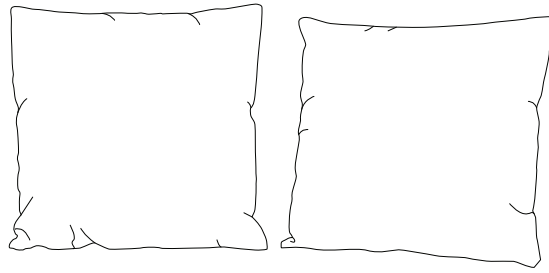


15'

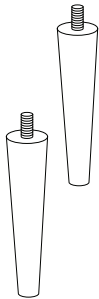
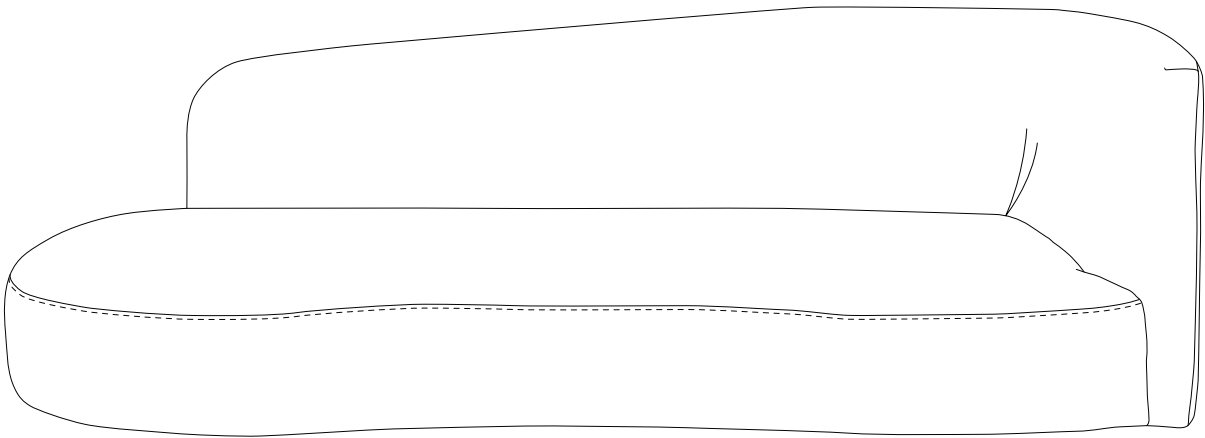


1

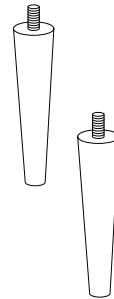
2 x 2



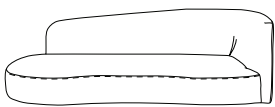
1



A x 5

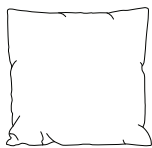


1



x 1

2



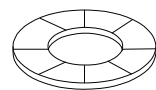
x 2

A



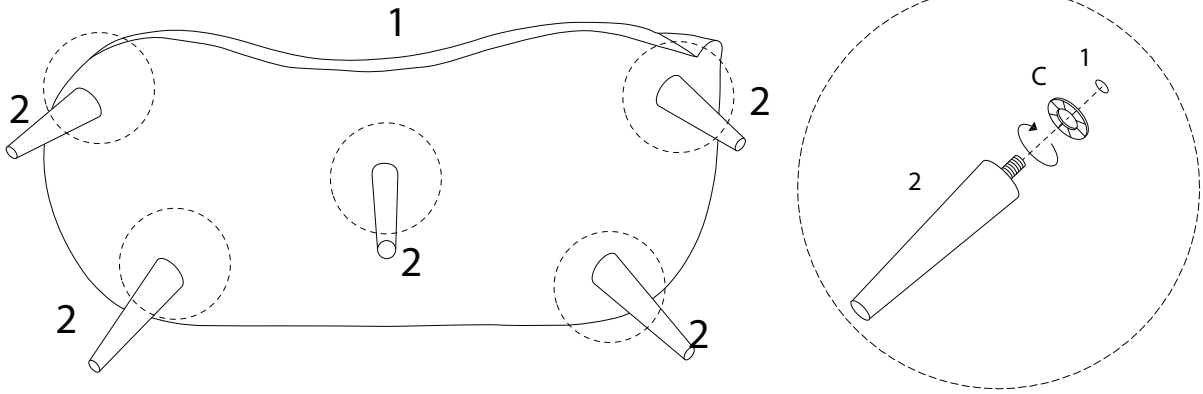
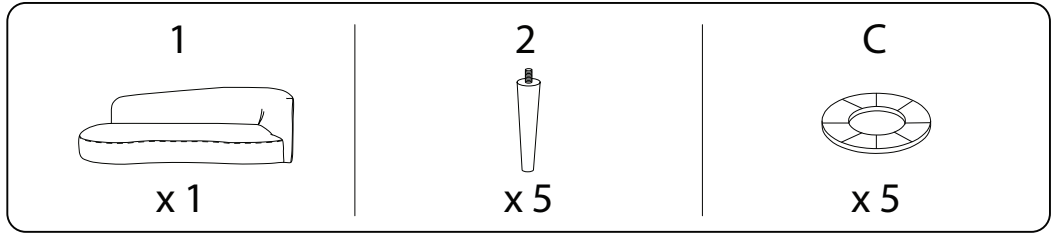
x 5

B



x 5

1



2

