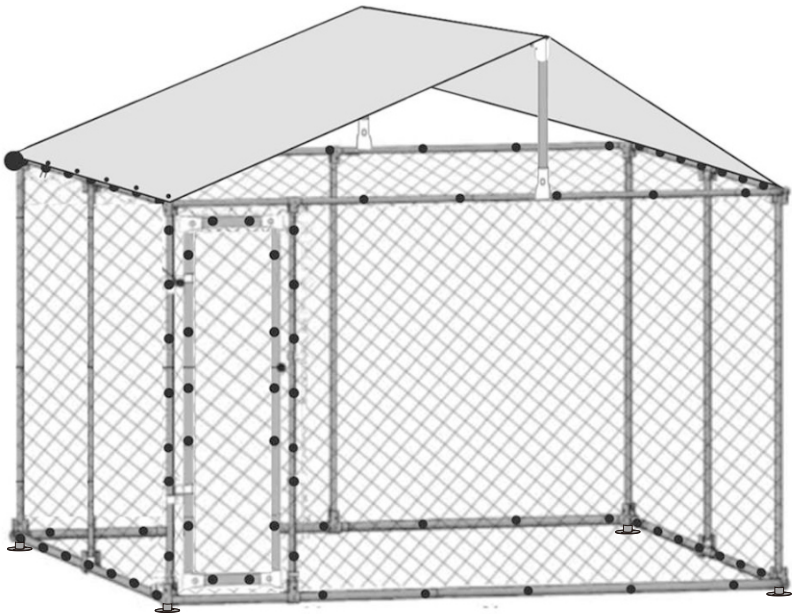


Large Square Pet Run

90" × 90" × 63" Large Square Pet Run

Owner's Manual



Assembly Time: About 1 Hour (with 2 people)
The black point is the place to tight the hose clamp (part I)





Large Square Pet Run




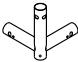
90" x 90" x 63"




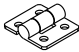

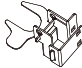
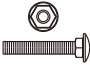



PART LIST





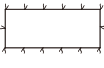



PART A

PART NO.	STYLE PIC	QUANTITY
①	 L108cm	8
②	 L108cm	8
③	 L99cm	3
④	 L110cm	1

⑤	 L43cm	4
⑥	 L110.2cm	1
⑨	 L99cm	1
N	three-way 	4

PART B

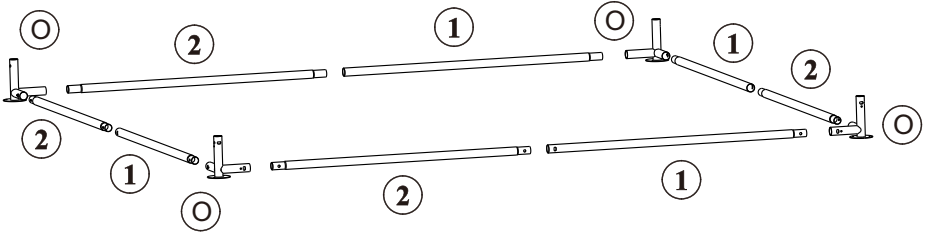
PART NO.	STYLE PIC	QUANTITY
A	T-Clamps 	32
B	Door Hinge 	2
C	Ground Nail 	12
D	Kennel Gate Latch 	1
E	M8x50 Screws 	16
F	M5x16 Screws 	8
G	Self-tapping Screw 	48
H	M8x30 Screws 	2

I	Wrap Ties 	150
J	Stainless Steel Cable Ties 	150
K	Big Mesh 	1
L	Door Mesh 	1
M	Rain Cover 	1
O	three-way (Footing) 	4
⑦	 L107cm	5
⑧	 L107cm	1

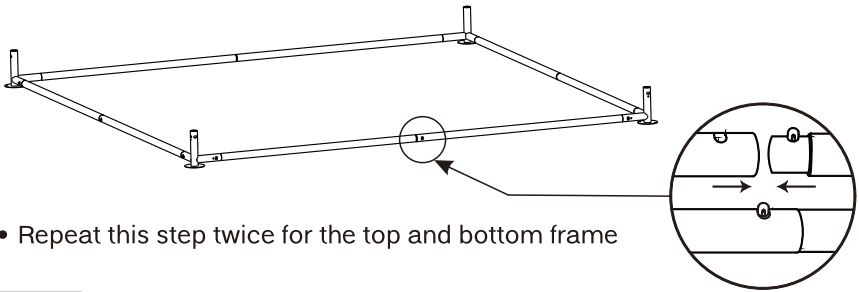
Large Square Pet Run

90" x 90" x 63"

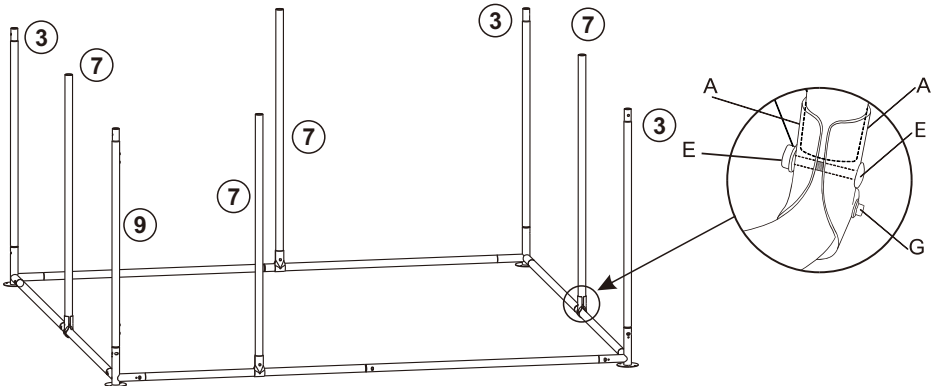
Step 1



Step 2



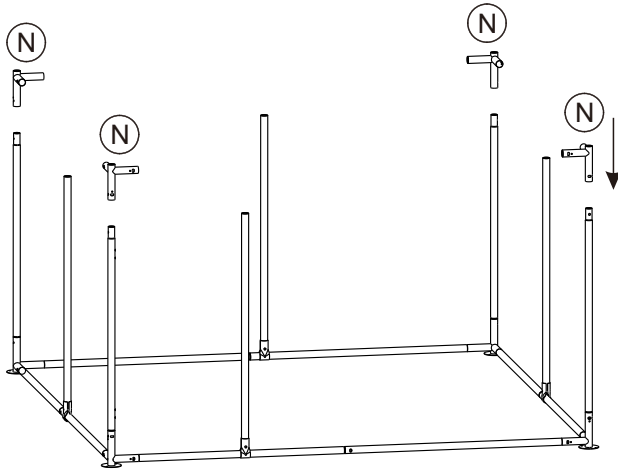
Step 3



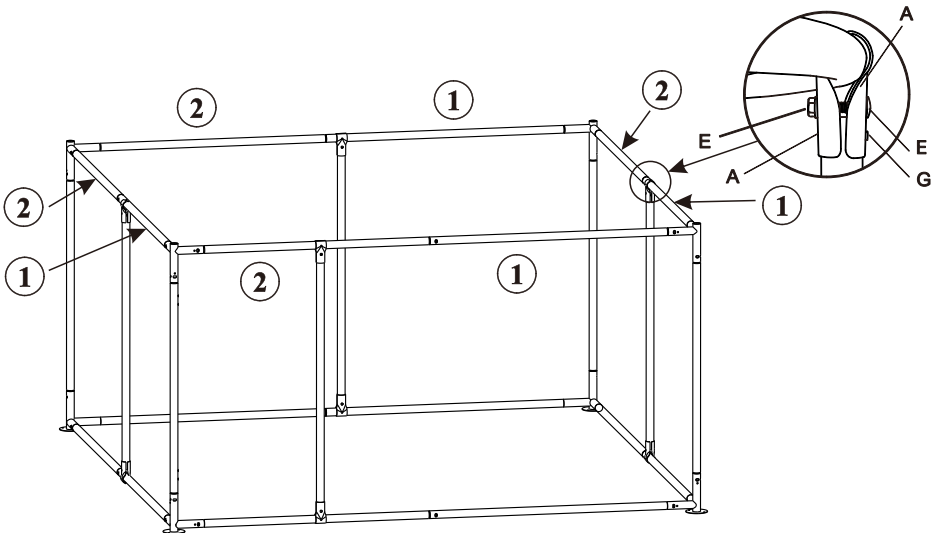
Large Square Pet Run

90" x 90" x 63"

Step 4



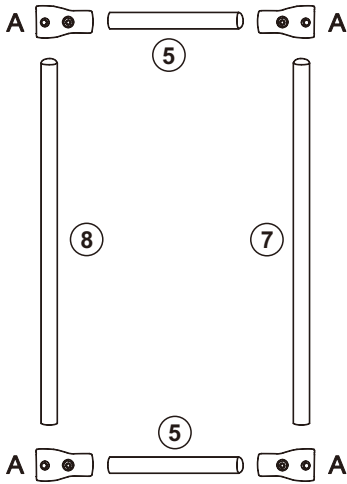
Step 5



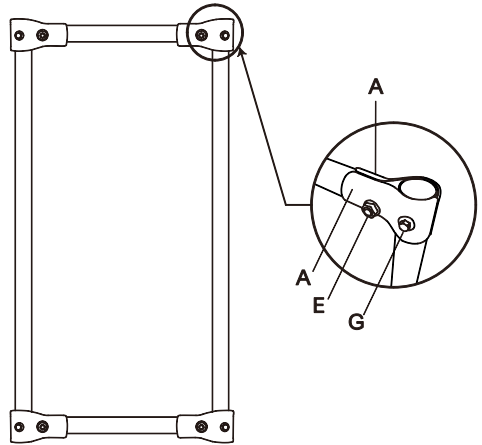
Large Square Pet Run

90" x 90" x 63"

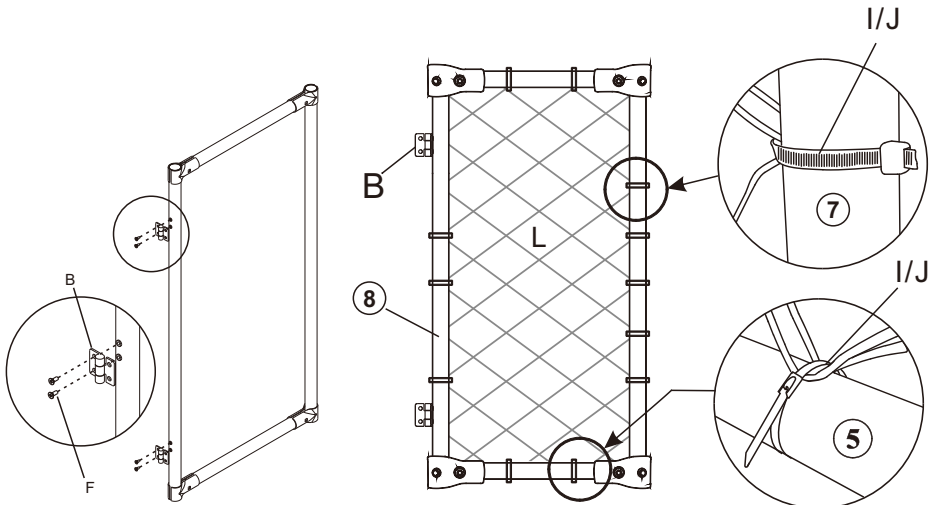
Step 6



Step 7



Step 8

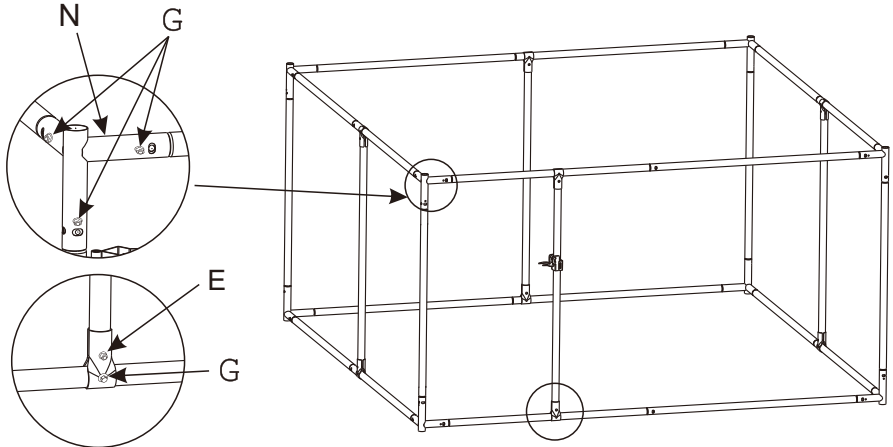


Two Stainless Steel Cable Ties are rolled with plastic ties or iron wire ties in the middle

Large Square Pet Run

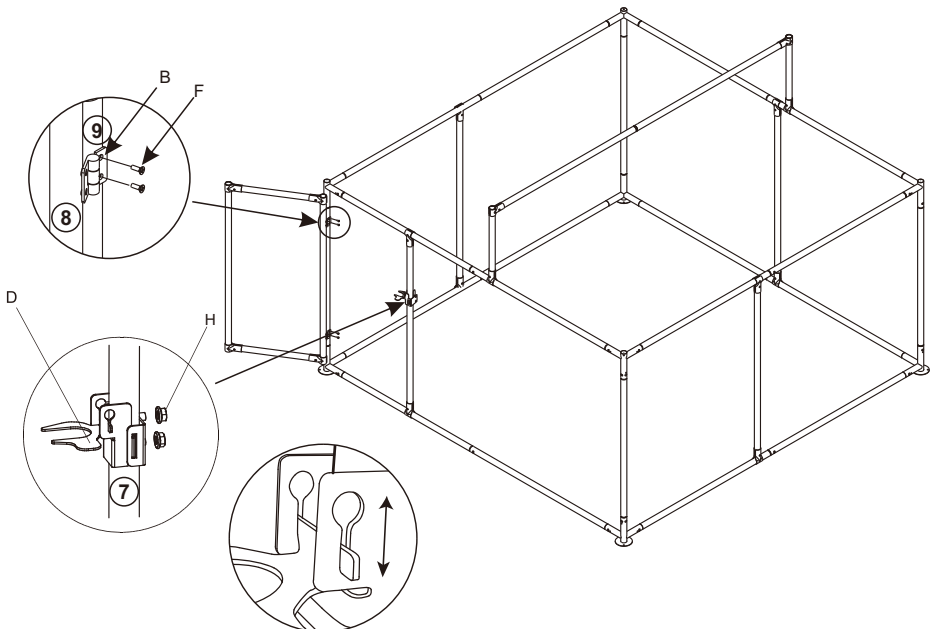
90" x 90" x 63"

Step 9



Lock it with (G) drill tail tapping screw to make it more firm

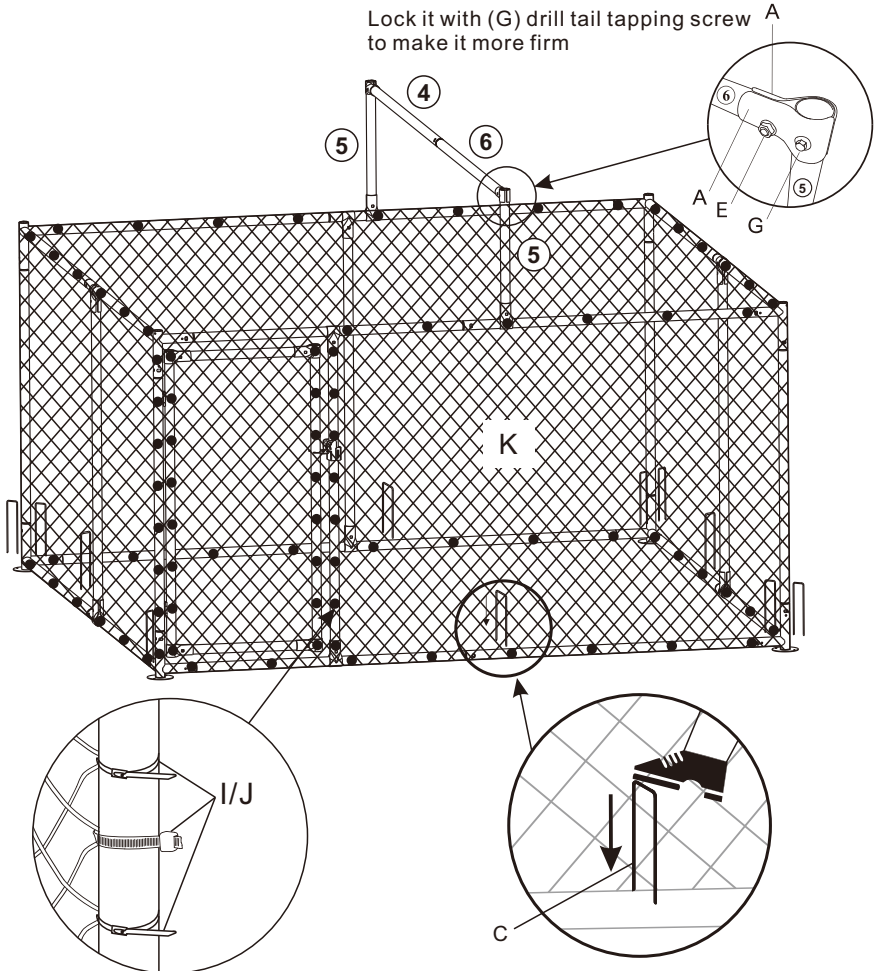
Step 10



Large Square Pet Run

90" x 90" x 63"

Step 11



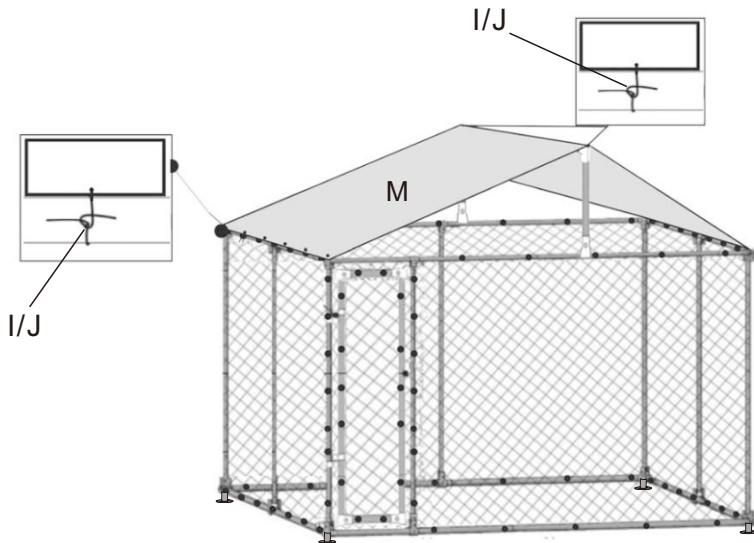
Two Stainless Steel Cable Ties are rolled with plastic ties or iron wire ties in the middle

The 12 floor nails can prevent the dog from moving when hitting the cage.

Large Square Pet Run

90" x 90" x 63"

Step 12



Install the rain cover one the top of the dog run. Then a beautiful dog kennel with cover is finished.