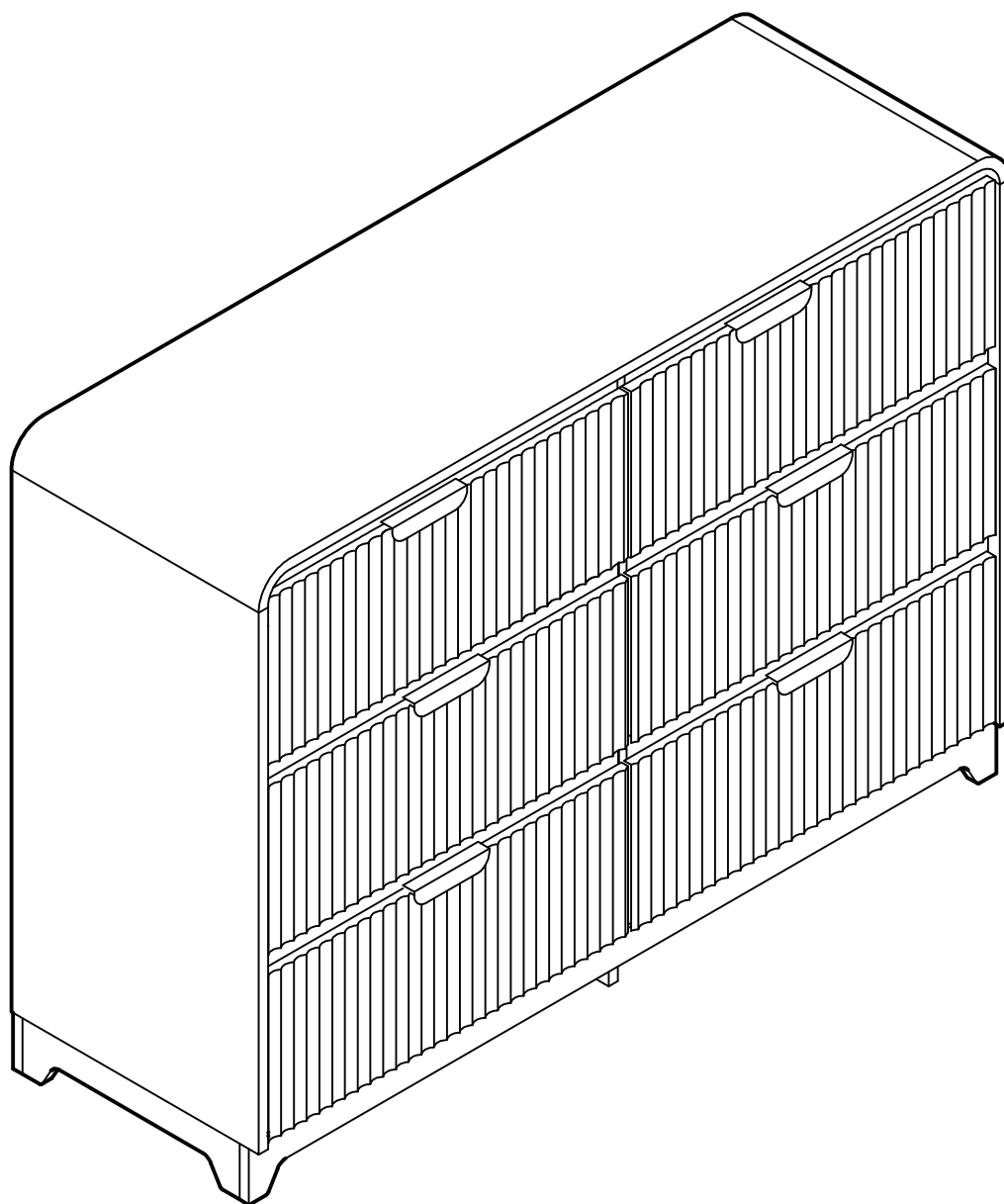

STORAGE CABINE


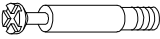


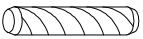
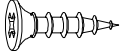
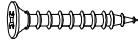


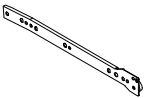
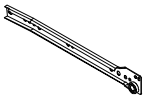
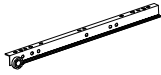
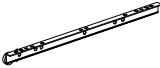

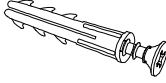
- Instruction Manual

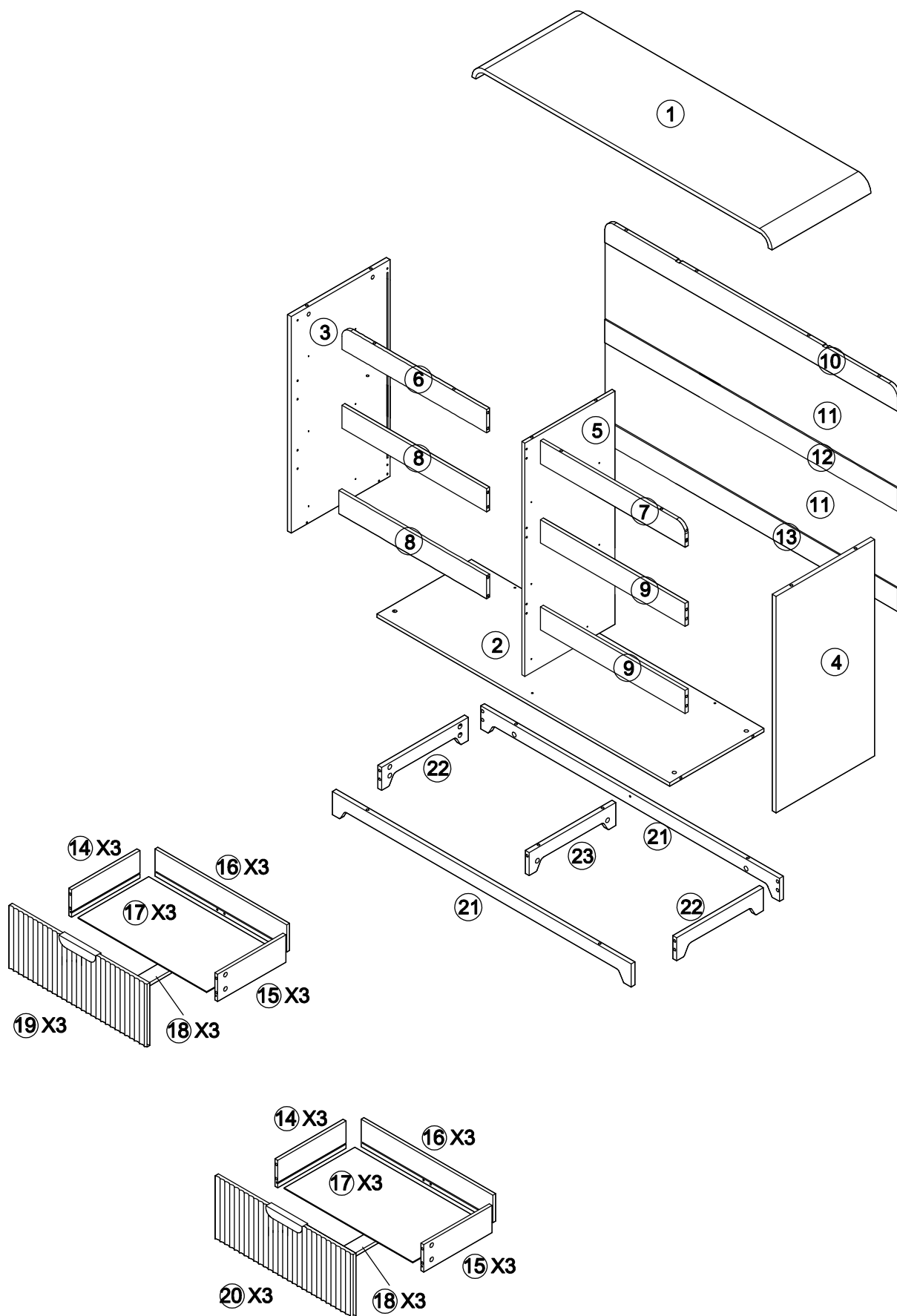


List Of Installation Parts

● Before installation, please check all parts for any missing components.

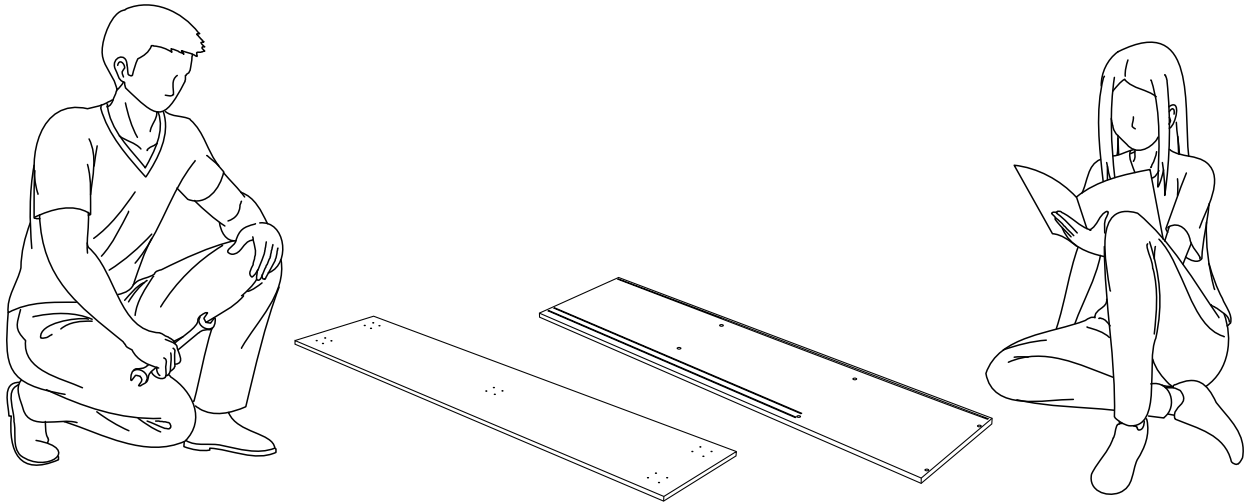
Parts List

<p>A</p>  <p>6pcs</p>	<p>B M6×25mm</p>  <p>94pcs</p>	<p>C Ø 12mm</p>  <p>94pcs</p>	<p>D</p>  <p>6pcs</p>
<p>E Ø 8x25mm</p>  <p>24pcs</p>	<p>F M3x12mm</p>  <p>68pcs</p>	<p>G M4x25mm</p>  <p>30pcs</p>	<p>H</p>  <p>16pcs</p>
<p>I 25x10x5mm</p>  <p>6pcs</p>	<p>J</p>  <p>6pcs</p>	<p>K</p>  <p>6pcs</p>	<p>L</p>  <p>6pcs</p>
<p>M</p>  <p>6pcs</p>	<p>N 65x32x15mm</p>  <p>2pcs</p>	<p>O M4.5x12mm</p>  <p>2pcs</p>	

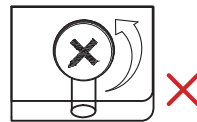
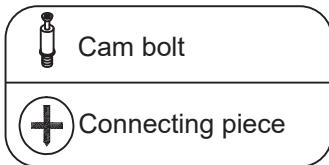


Tips

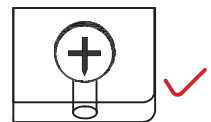
This furniture requires 2 people to assemble.
Make sure no parts missing or damaged before assembly.



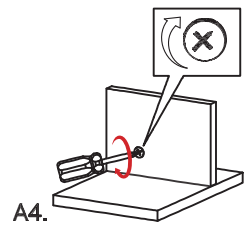
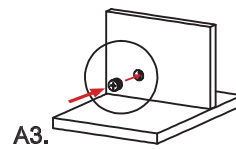
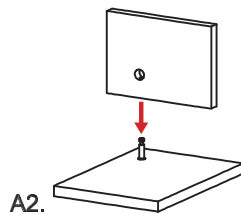
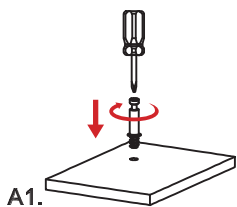
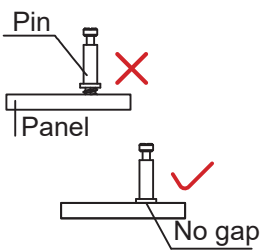
Cam Bolt Installation As Follows



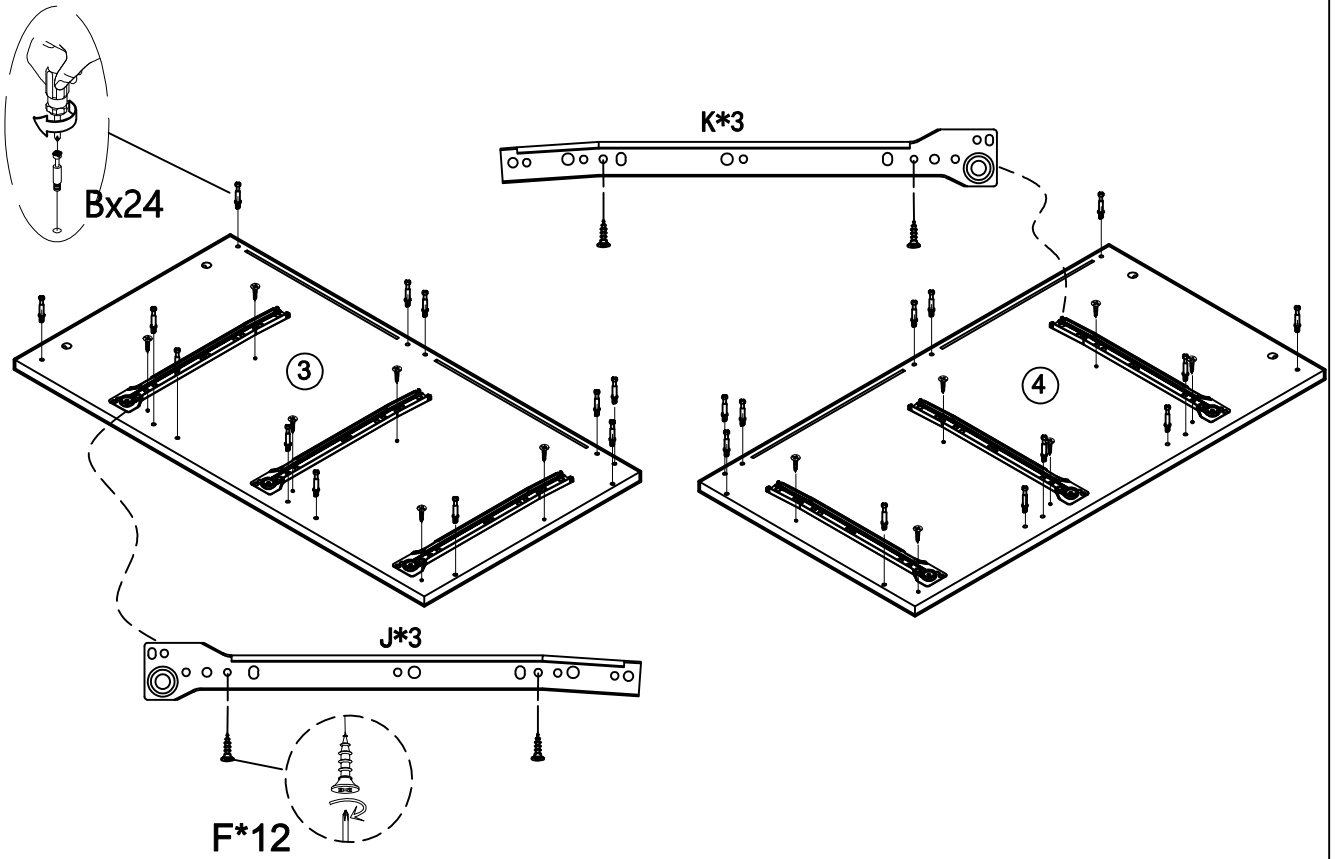
Rotate connecting piece if found in the position illustrated above.

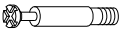
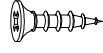
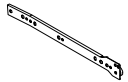
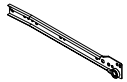


Correct orientation to receive bolts.



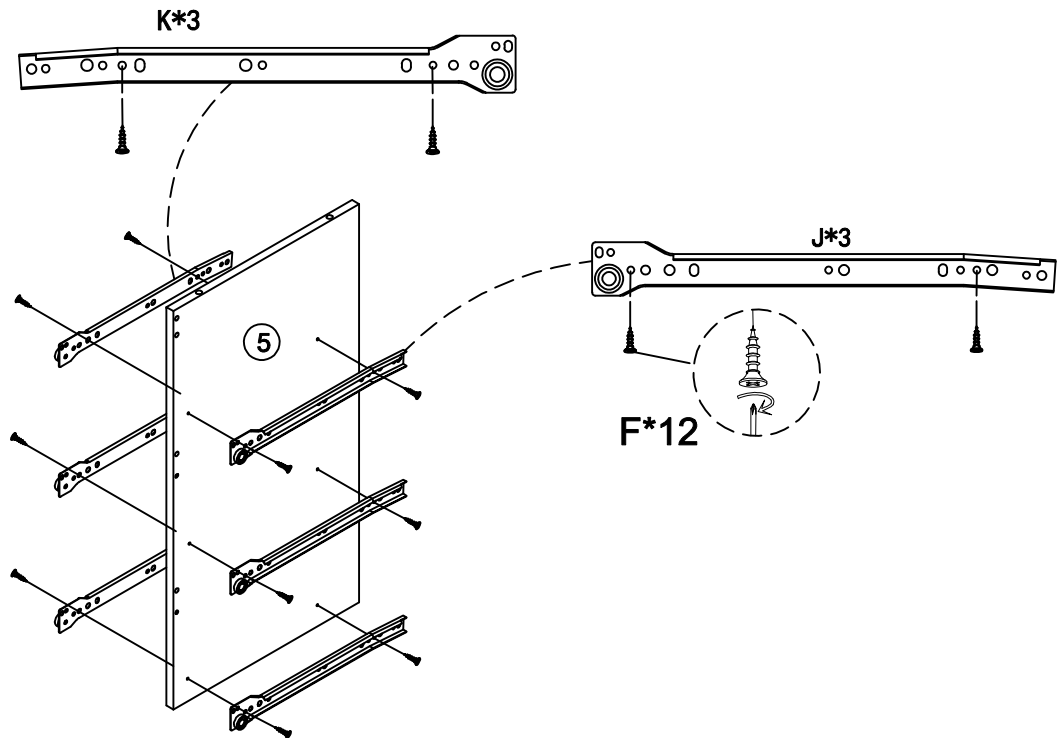
1

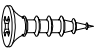
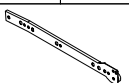
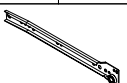


B	x24	F	x12	J	x3	K	x3
							
M6*25mm		M3*12mm		300MM		300MM	

Please ensure the screws on the drawer slides are tightened properly. Loose screws may cause the drawer to stick or jam

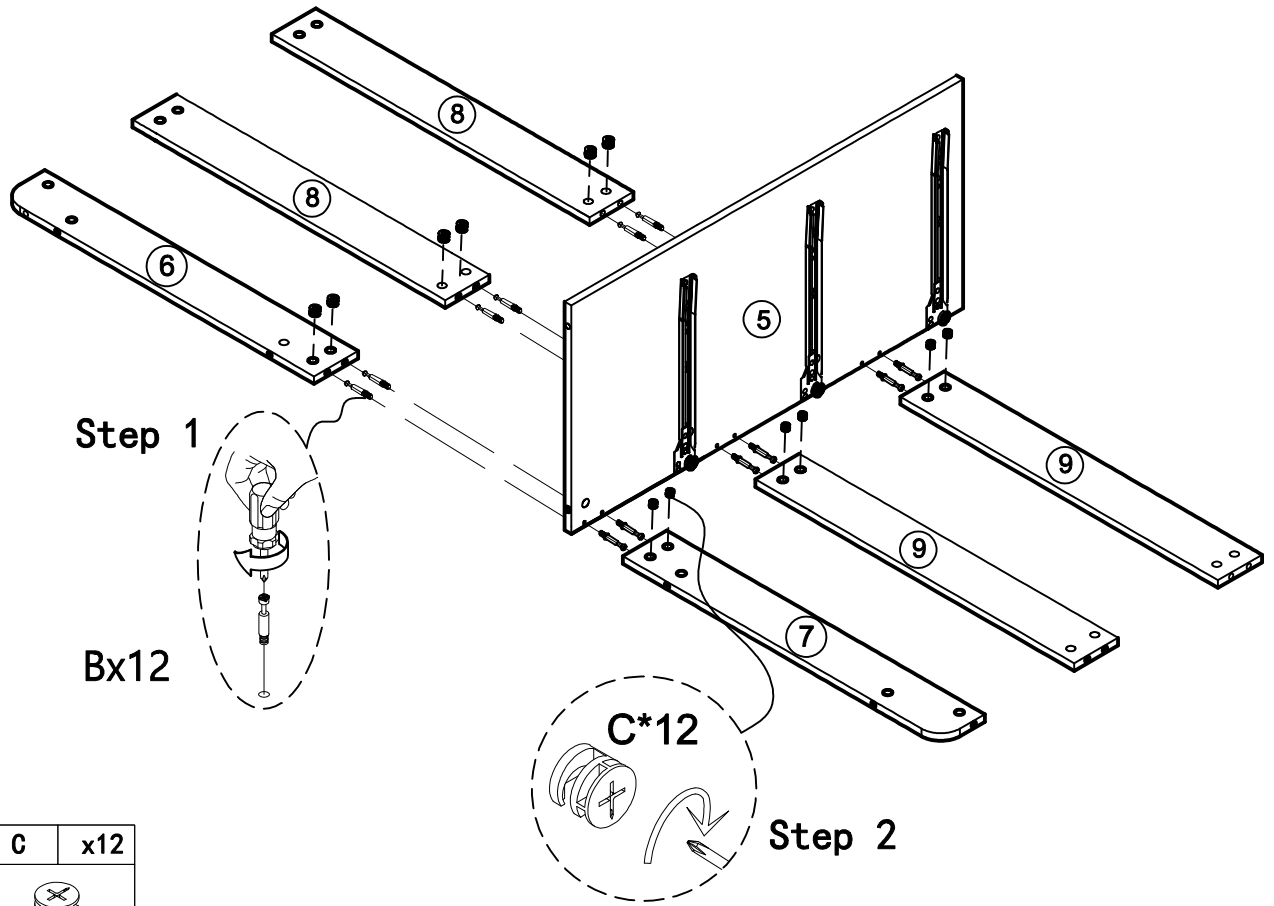
2

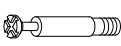



F	x12	J	x3	K	x3
					
M3*12mm		300MM		300MM	

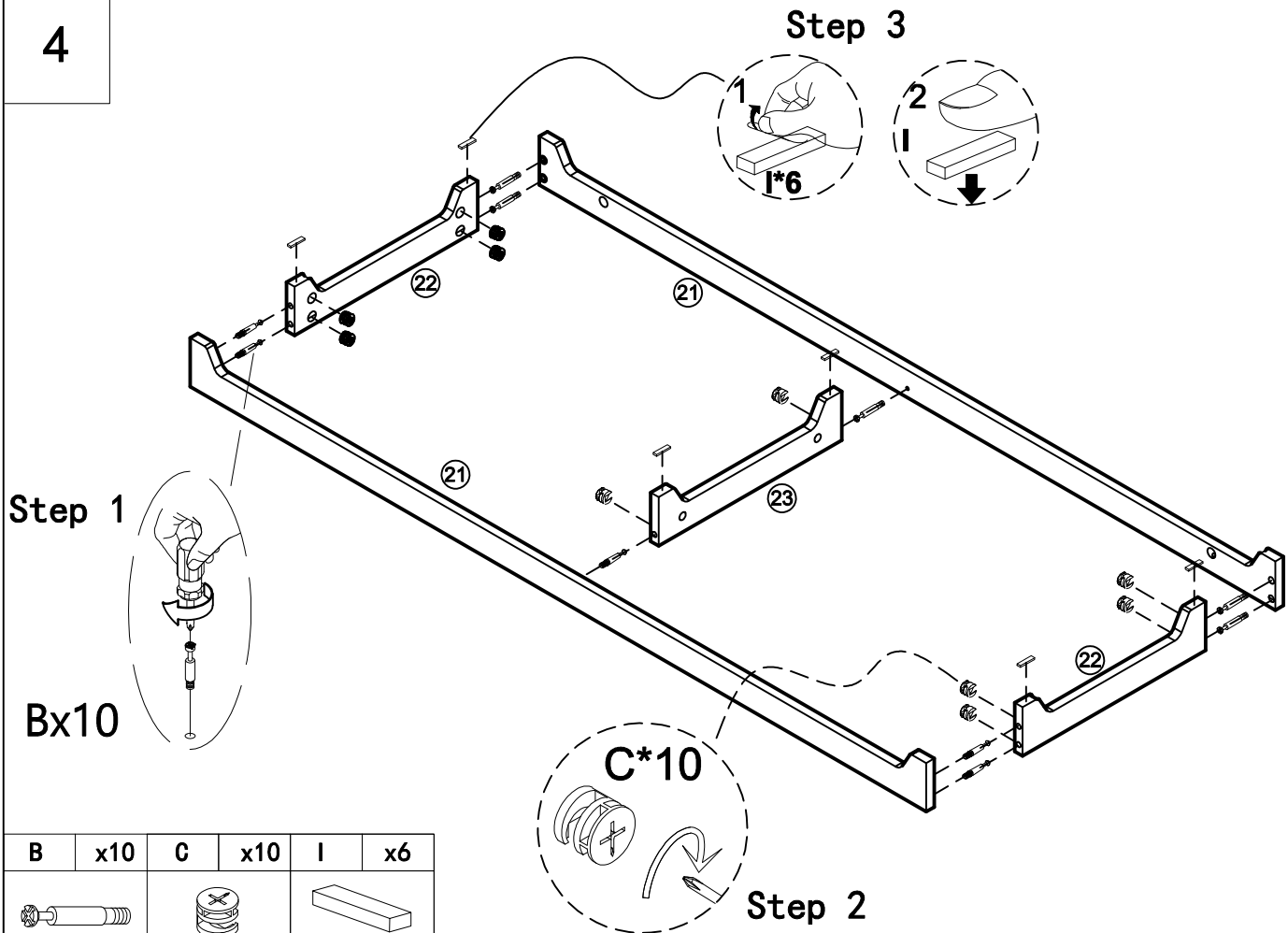
Please ensure the screws on the drawer slides are tightened properly. Loose screws may cause the drawer to stick or jam

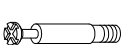


3



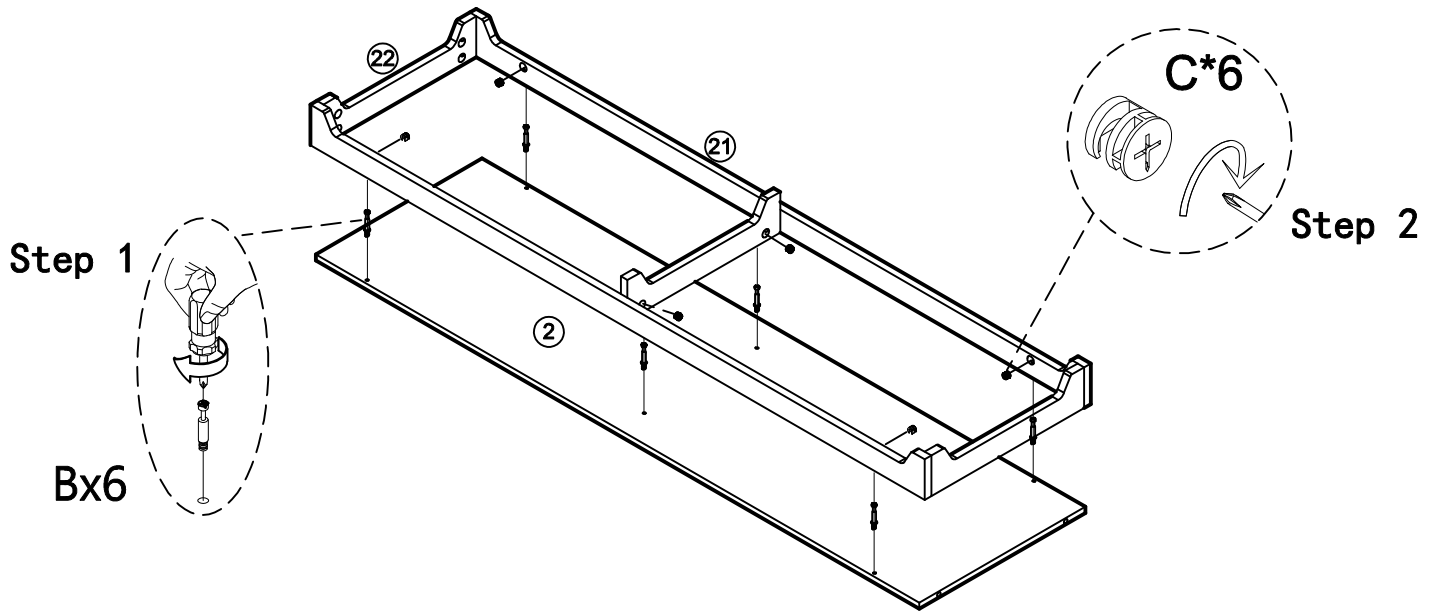
B	x12	C	x12
			
M6*25mm		Ø12mm	

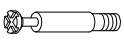

4



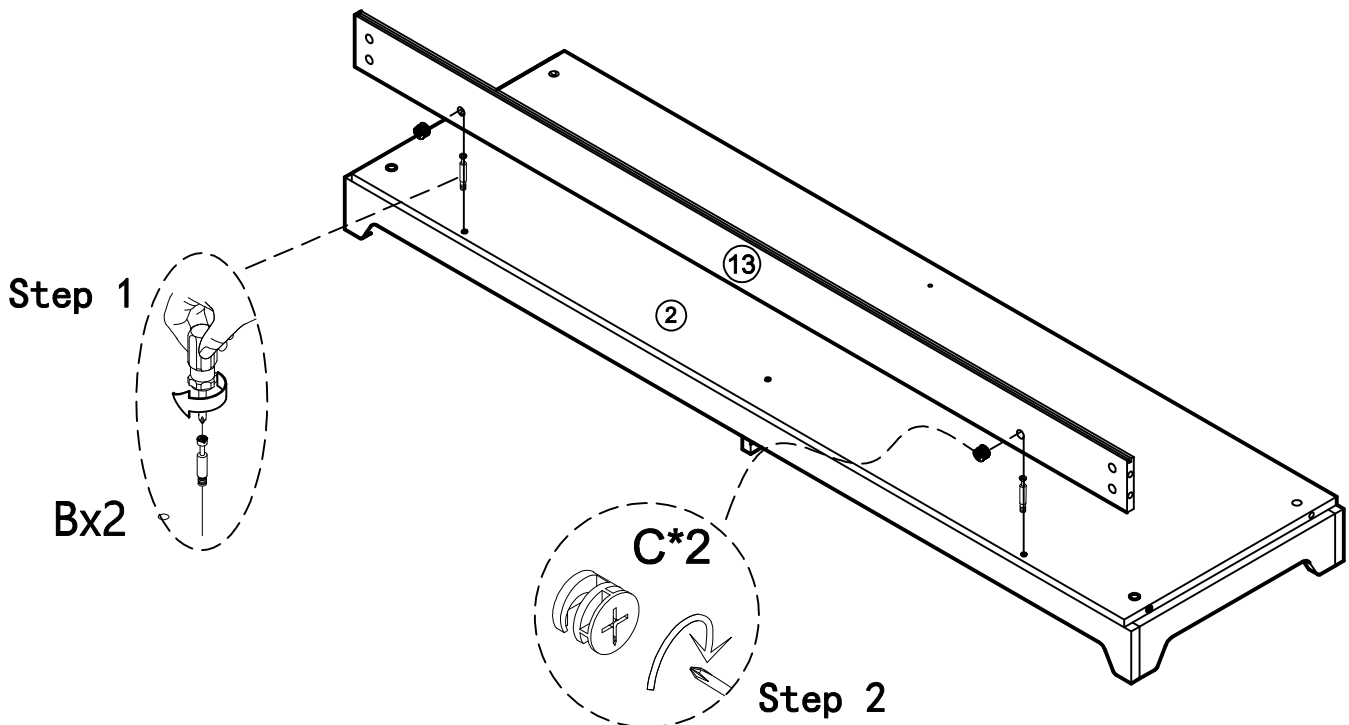
B	x10	C	x10	I	x6
					
M6*25mm		Ø12mm		25*10*5mm	

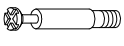

5



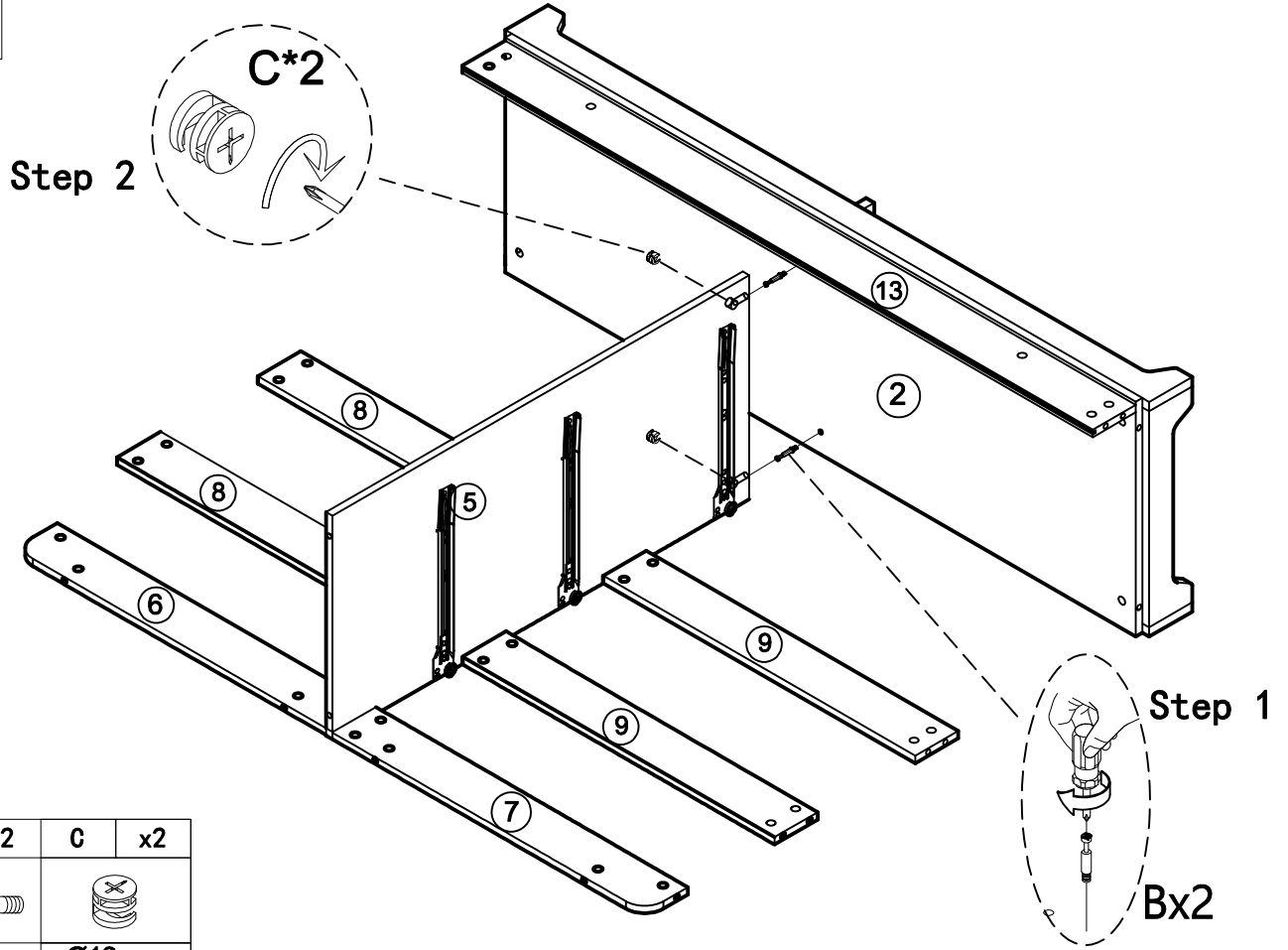
B	x6	C	x6
			
M6*25mm		Ø12mm	

6

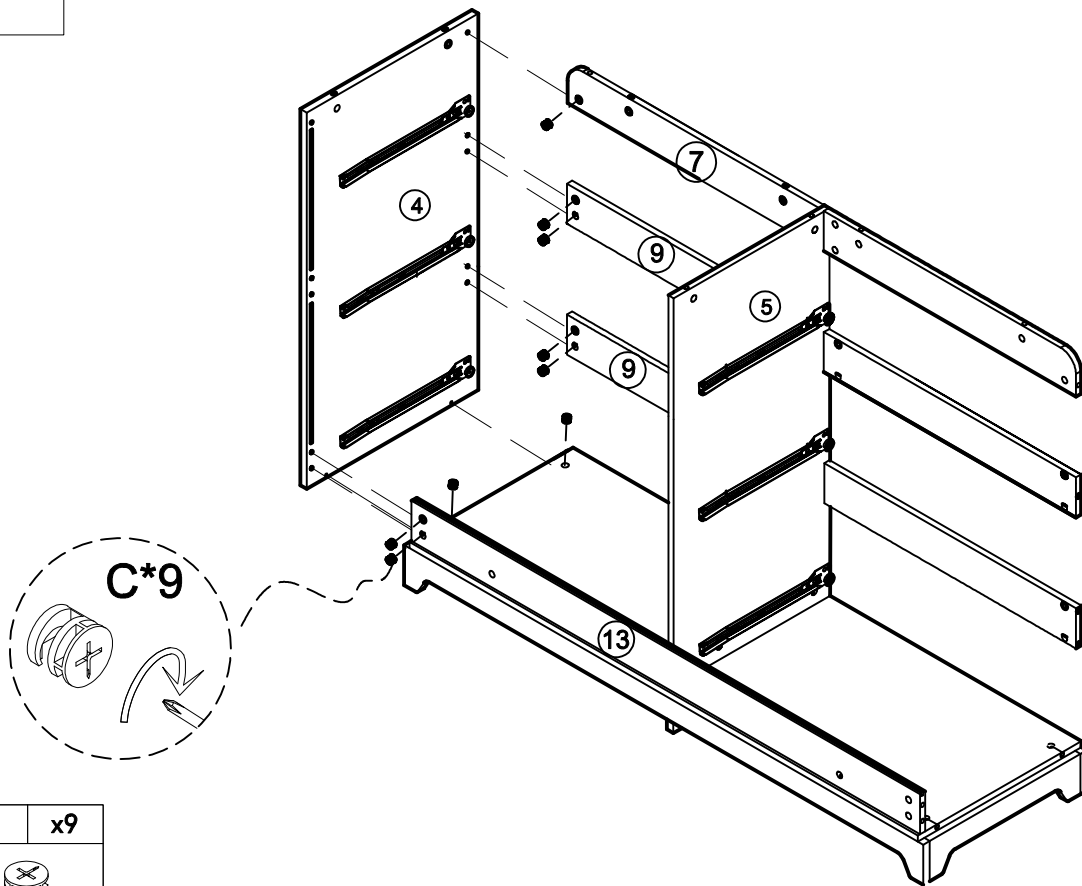



B	x2	C	x2
			
M6*25mm		Ø12mm	

7

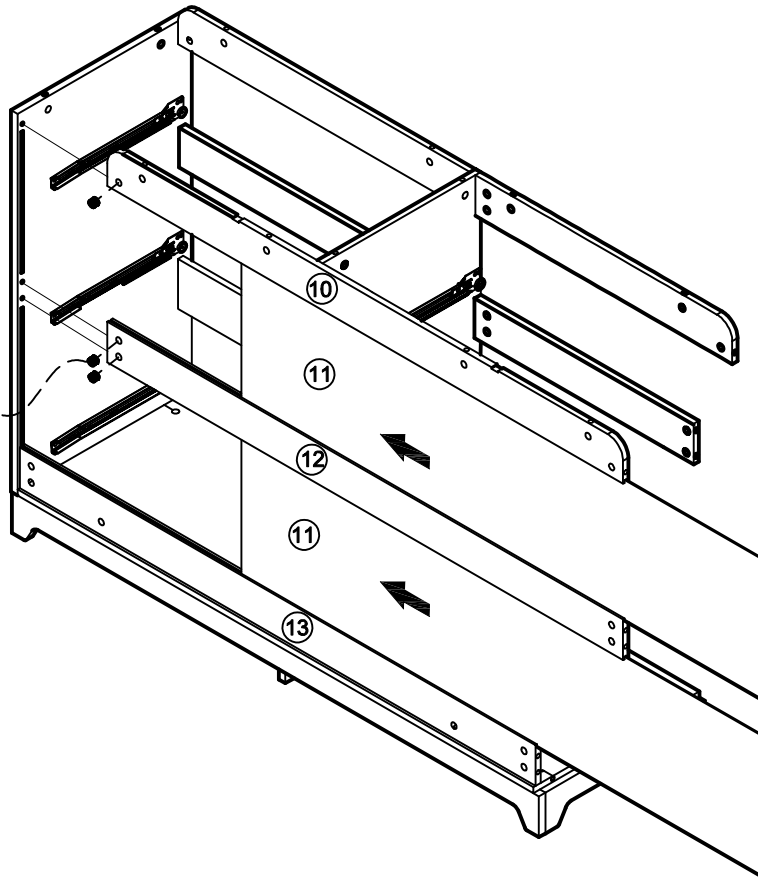
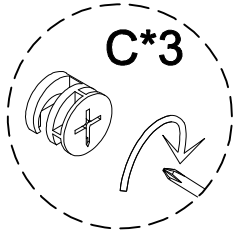


8



C	x9
	
Ø12mm	

9

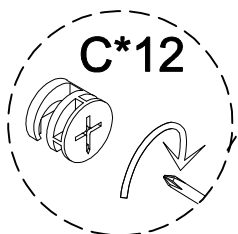
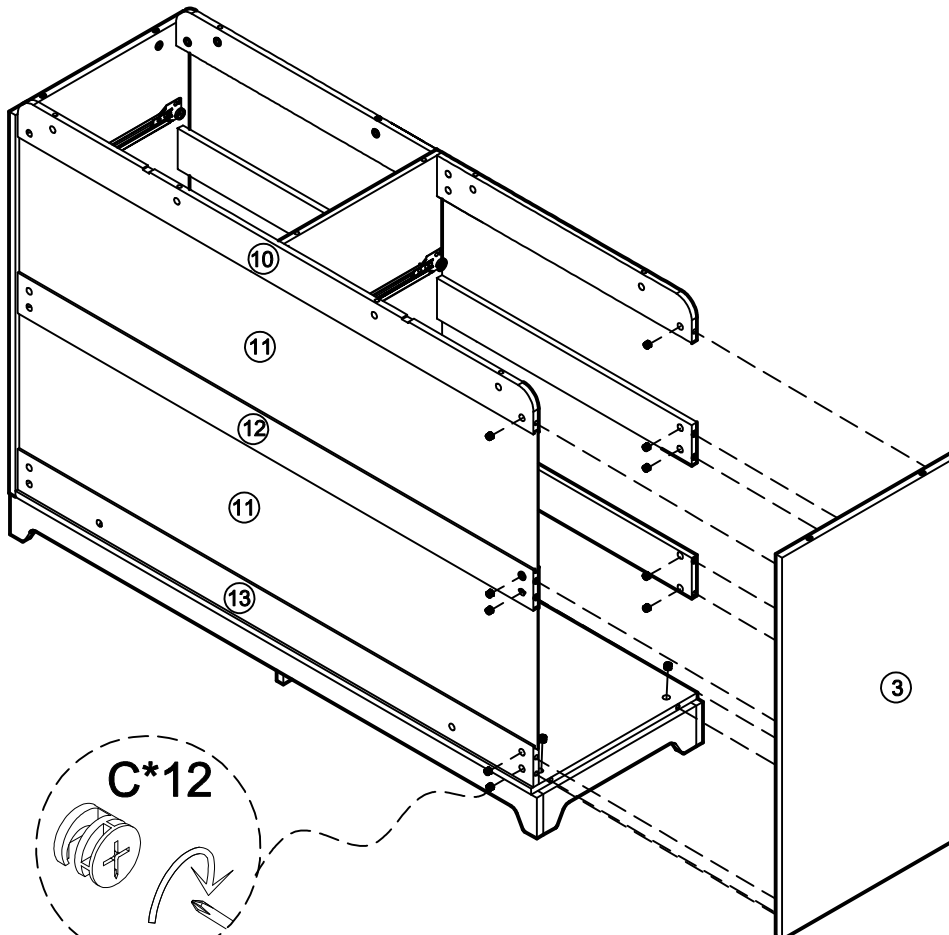


C	x3
---	----



Ø12mm

10

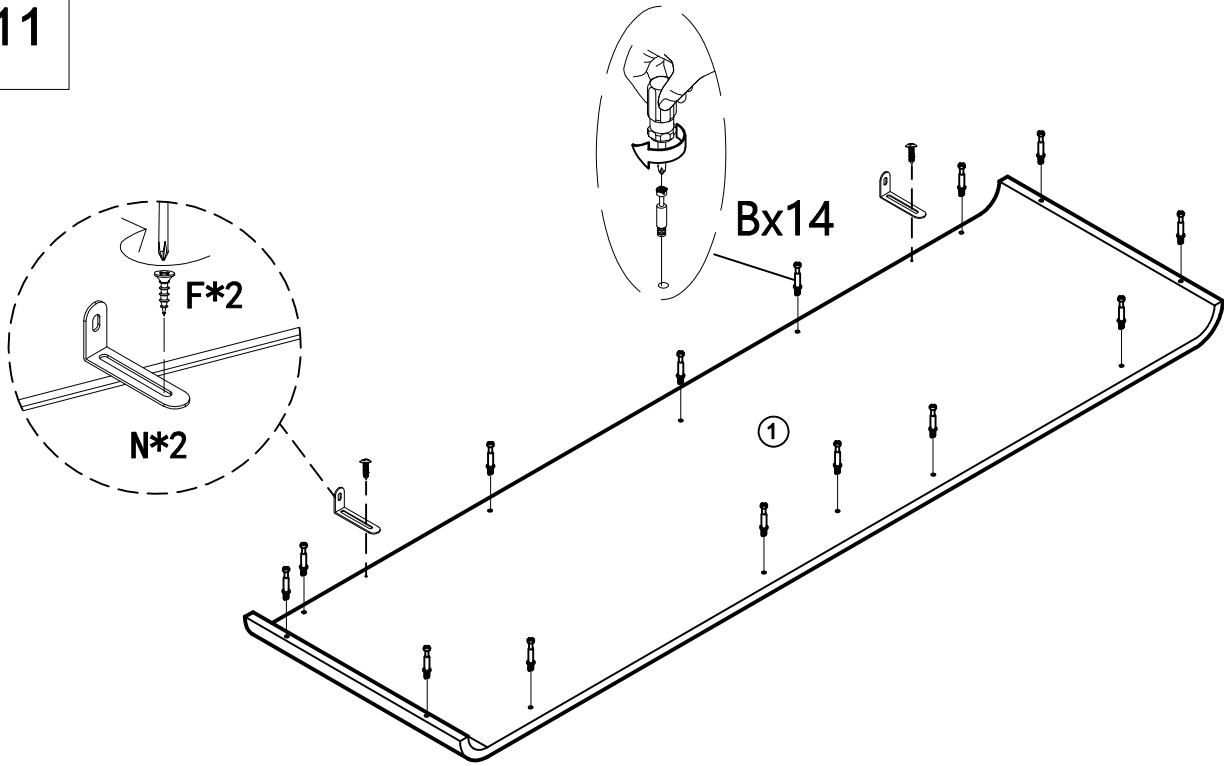


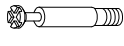

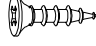
C	x12
---	-----



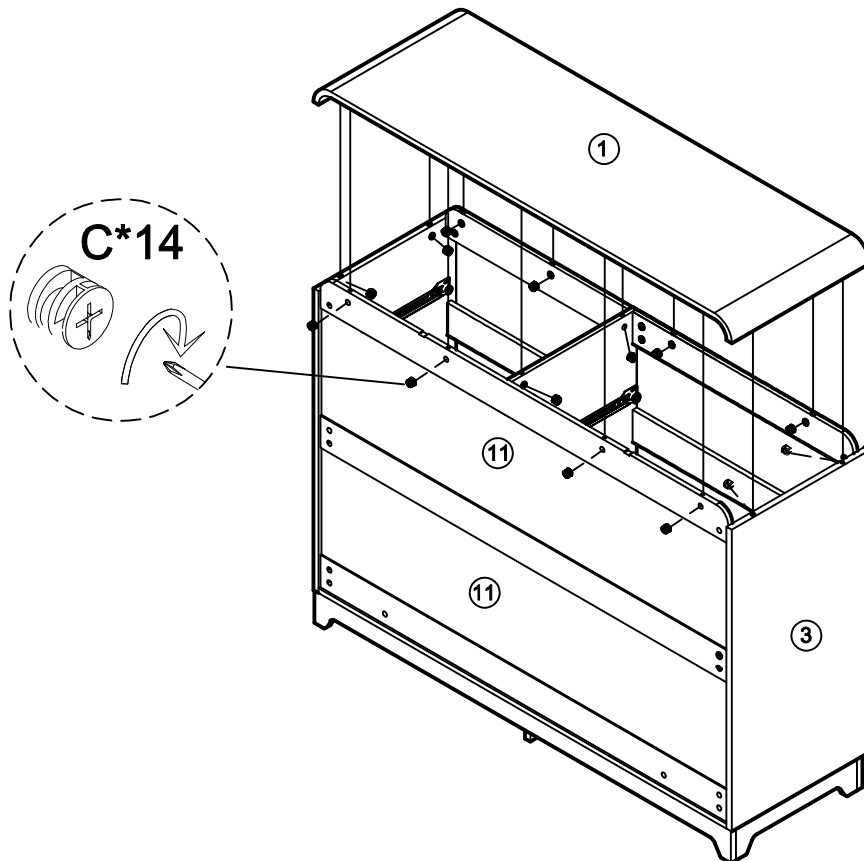
Ø12mm


11



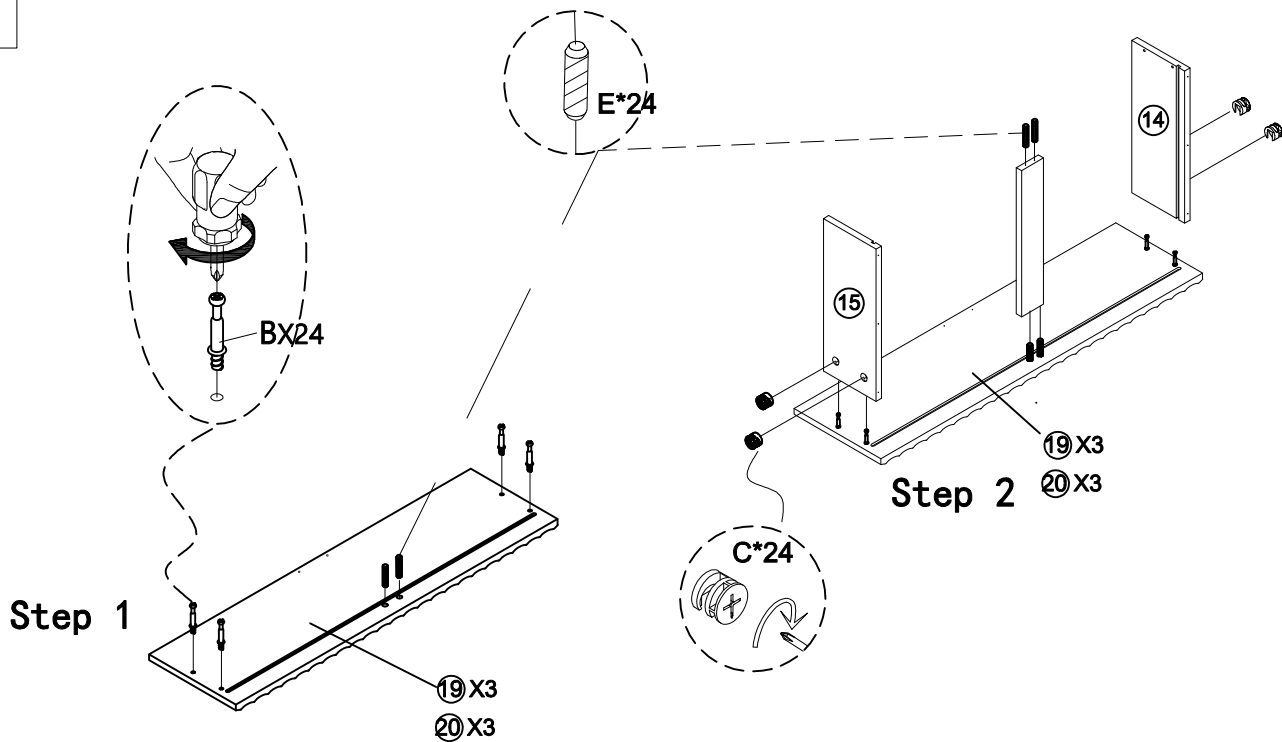
B	x14	N	x2	F	x2
					
M6*25mm		65*32*15MM		M3*12mm	

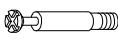


12



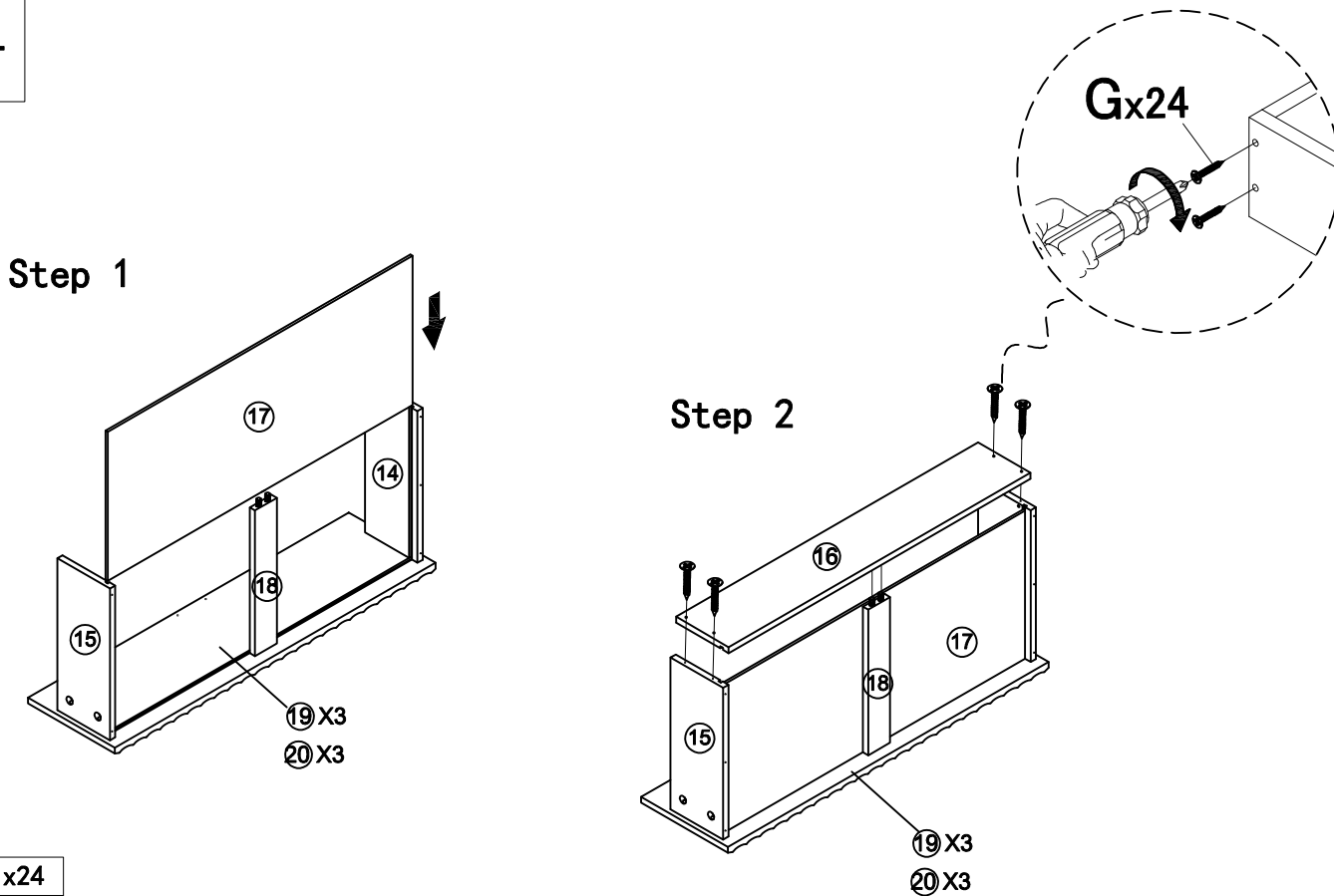
C	x14
	
Ø12mm	

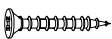
13



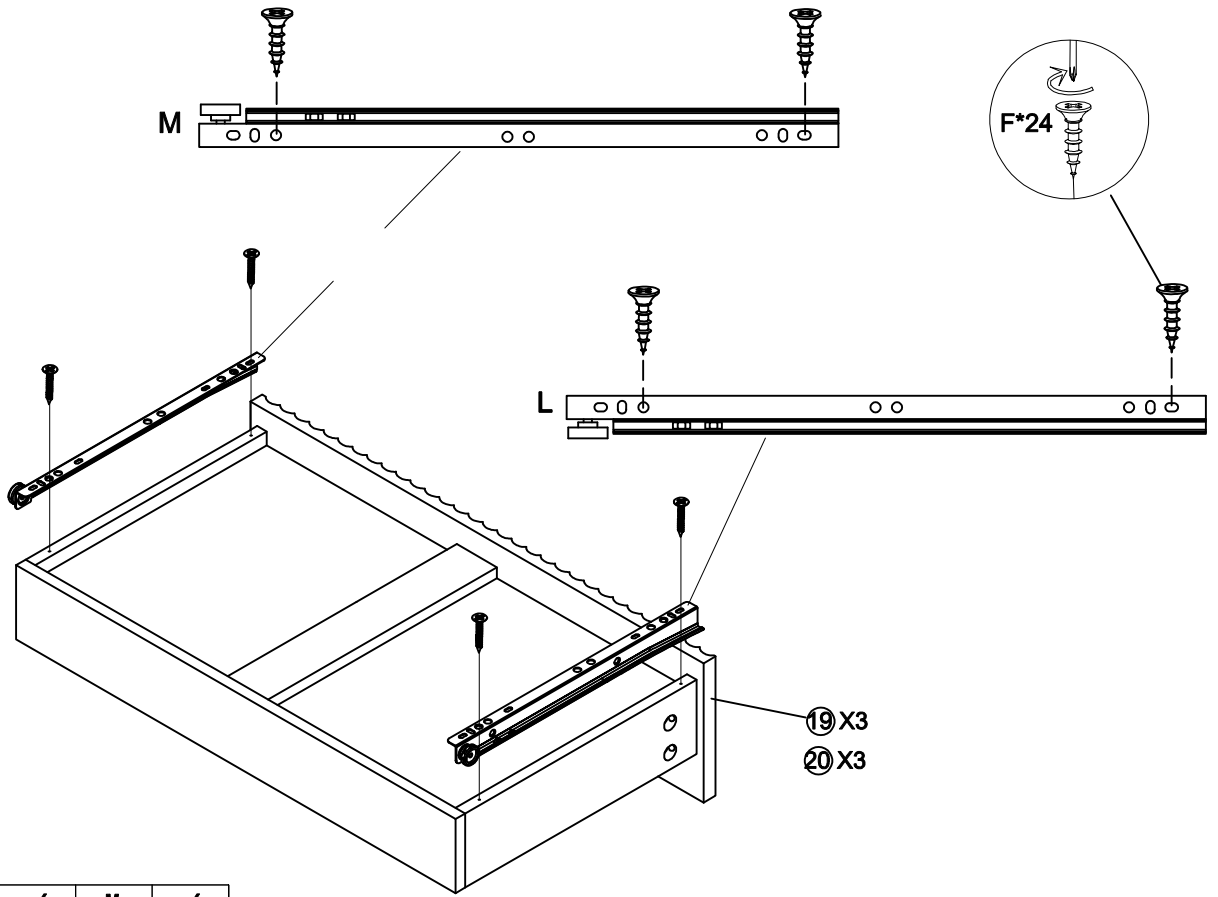
B	x24	C	x24	E	x24
					
M6*25mm		Ø12mm		Ø8*25mm	

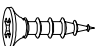


14



G	x24
	
M4*25mm	

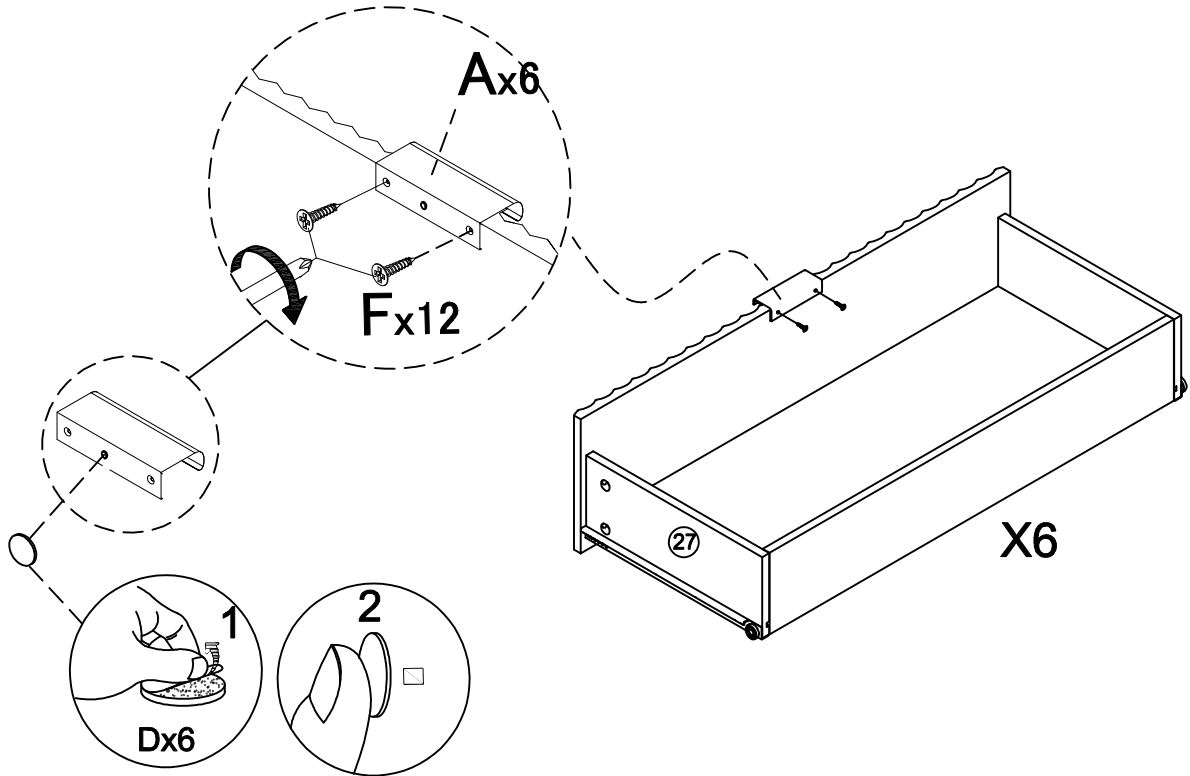
15


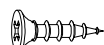



F	x24	L	x6	M	x6
					
M3*12mm		300MM		300MM	

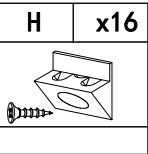
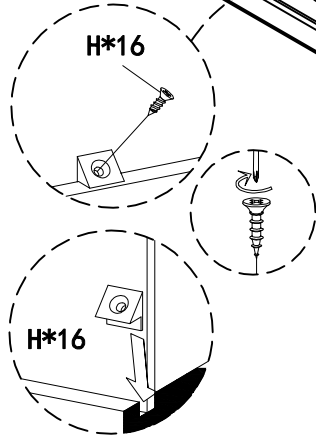
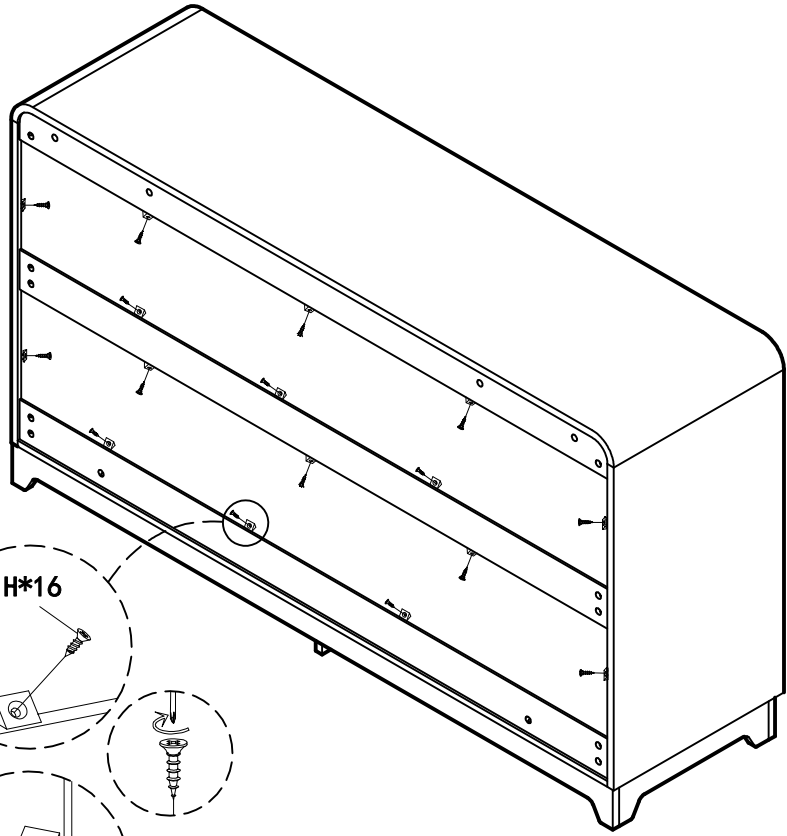
Please ensure the screws on the drawer slides are tightened properly. Loose screws may cause the drawer to stick or jam

16



A	x6	F	x12	D	x6
					
		M3*12mm			

17



18

