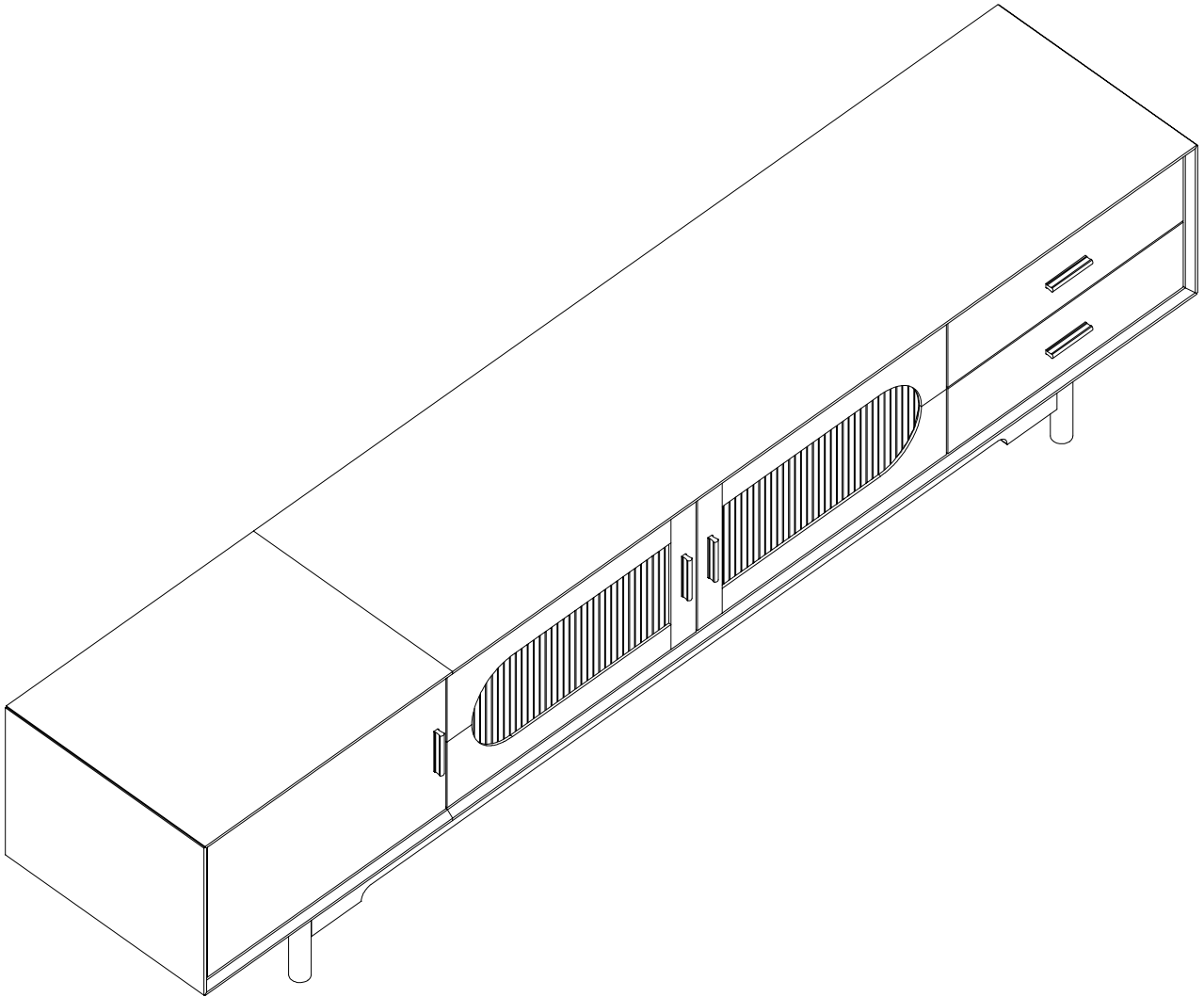


TV STAND

Assembly Instructions - Please keep for future reference.



DIMENSIONS

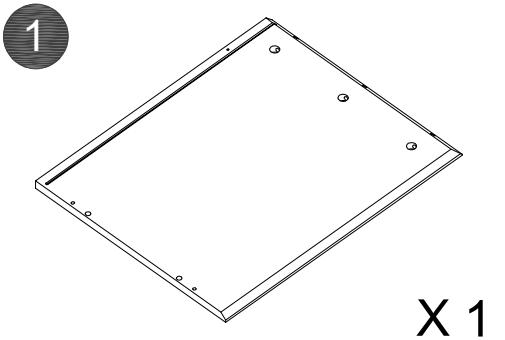
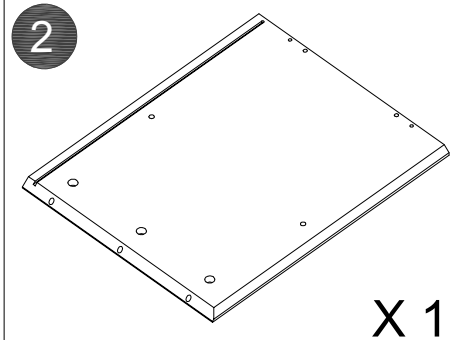
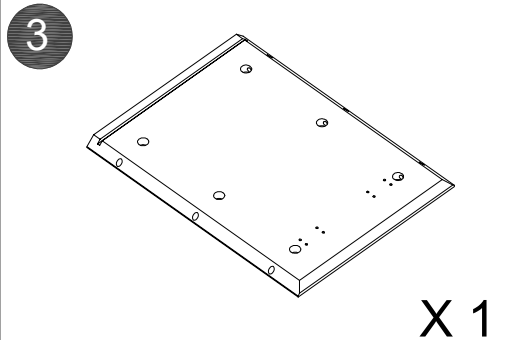
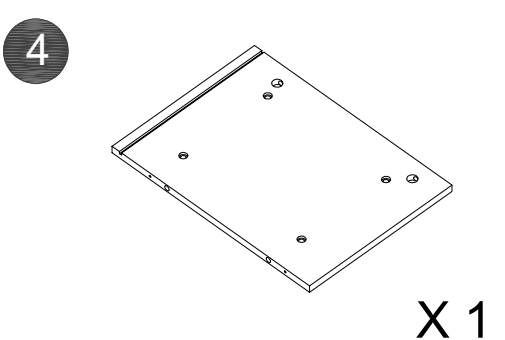
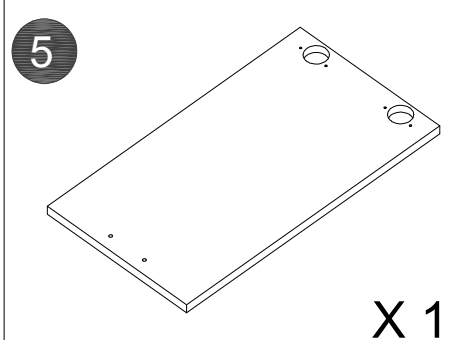
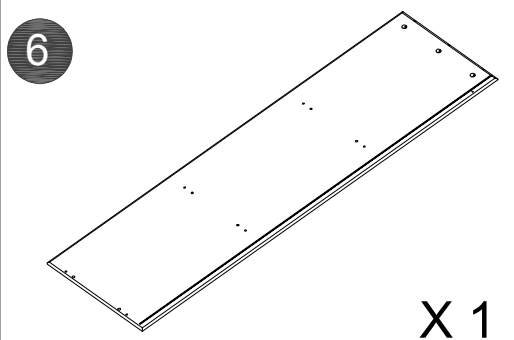
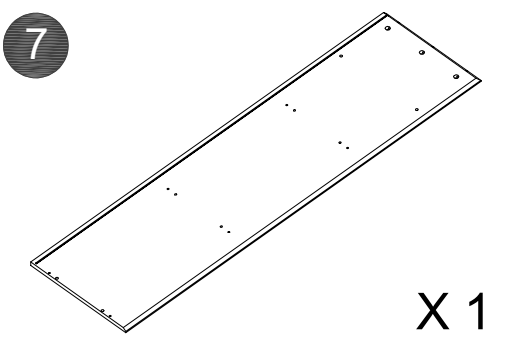
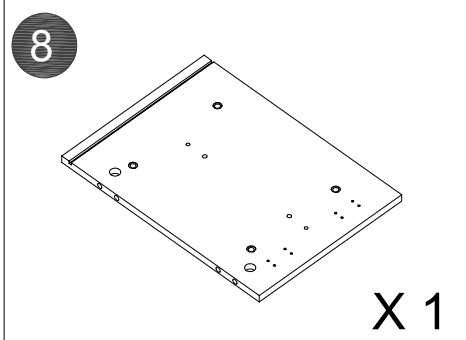
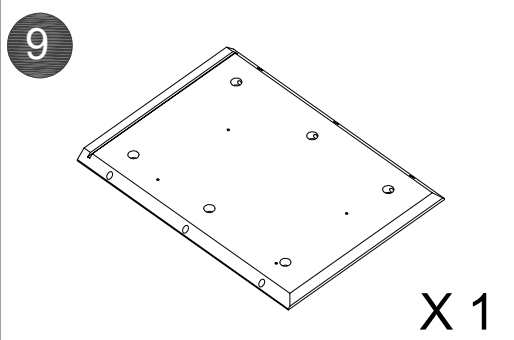
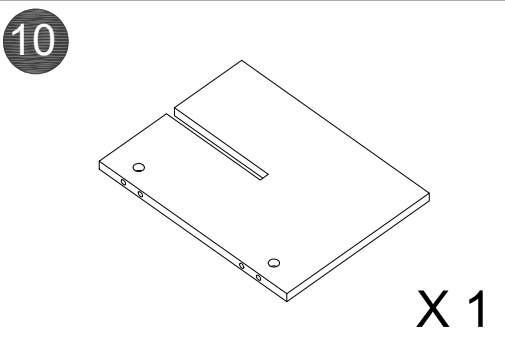
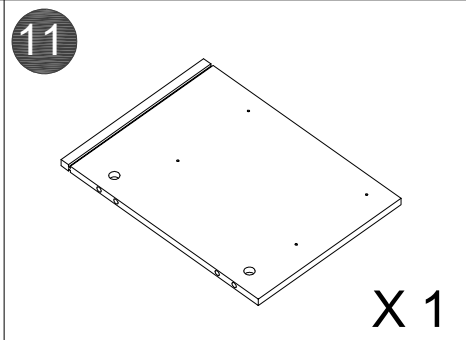
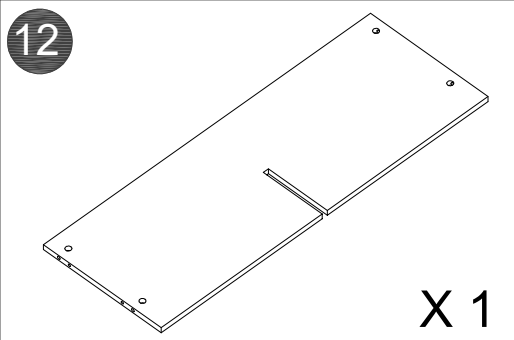
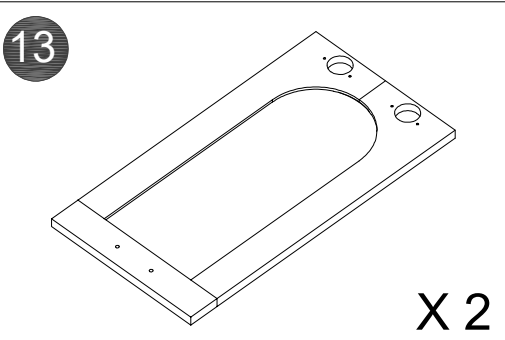
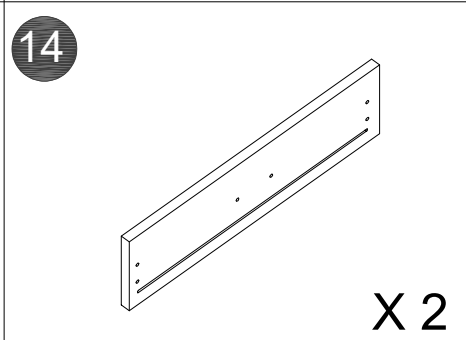
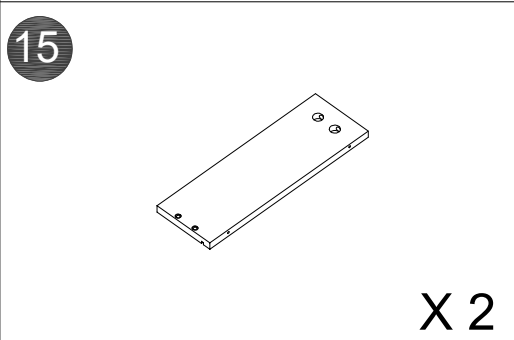
width-78.75inch
Depth-15.75inch
Height-17.75inch

Important - Please read these instructions fully before starting assembly.

components - fittings

Please check you have all the panels listed below.

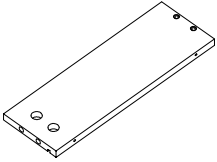
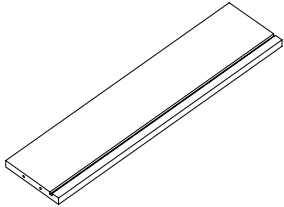
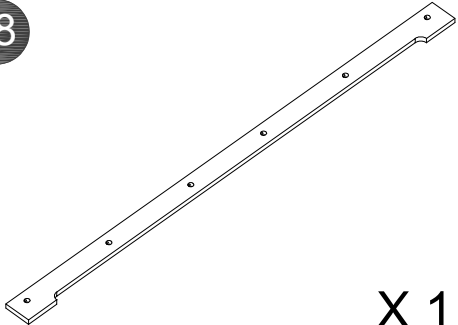
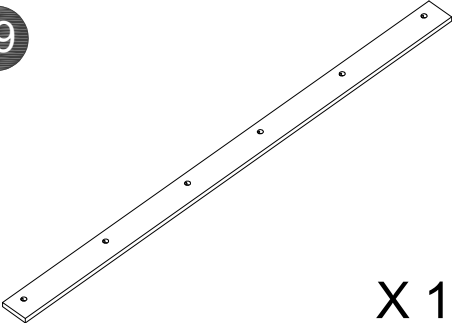
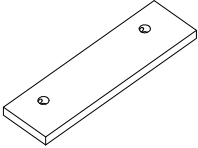
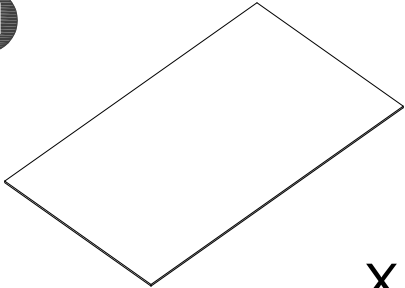
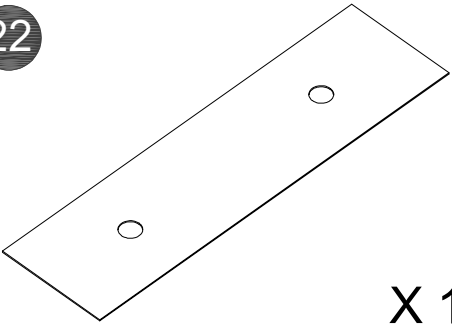

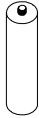
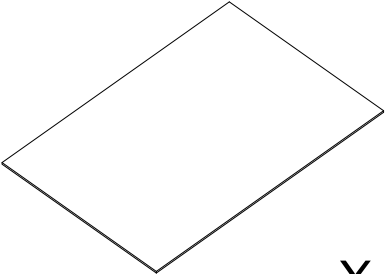
Note: The quantities below are the correct amount to complete the assembly. In some cases more fittings may be supplied than are required.

 <p>1</p> <p>X 1</p>	 <p>2</p> <p>X 1</p>	 <p>3</p> <p>X 1</p>
 <p>4</p> <p>X 1</p>	 <p>5</p> <p>X 1</p>	 <p>6</p> <p>X 1</p>
 <p>7</p> <p>X 1</p>	 <p>8</p> <p>X 1</p>	 <p>9</p> <p>X 1</p>
 <p>10</p> <p>X 1</p>	 <p>11</p> <p>X 1</p>	 <p>12</p> <p>X 1</p>
 <p>13</p> <p>X 2</p>	 <p>14</p> <p>X 2</p>	 <p>15</p> <p>X 2</p>

components - fittings

Please check you have all the panels listed below.

Note: The quantities below are the correct amount to complete the assembly. In some cases more fittings may be supplied than are required.

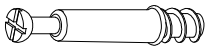
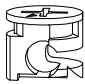
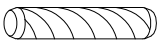
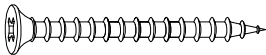
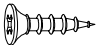
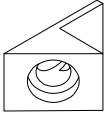
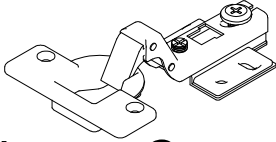
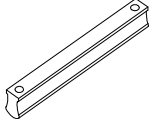

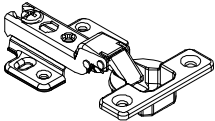
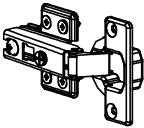


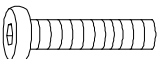

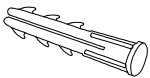
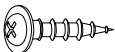
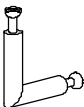
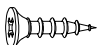
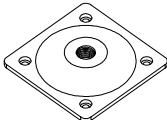


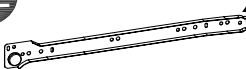

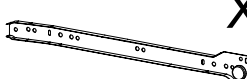

 <p>16</p> <p>X 2</p>	 <p>17</p> <p>X 2</p>	 <p>18</p> <p>X 1</p>
 <p>19</p> <p>X 1</p>	 <p>20</p> <p>X 2</p>	 <p>21</p> <p>X 2</p>
 <p>22</p> <p>X 1</p>	 <p>23</p> <p>X 4</p>	 <p>24</p> <p>X 2</p>
 <p>25</p> <p>X 2</p>		

components - fittings

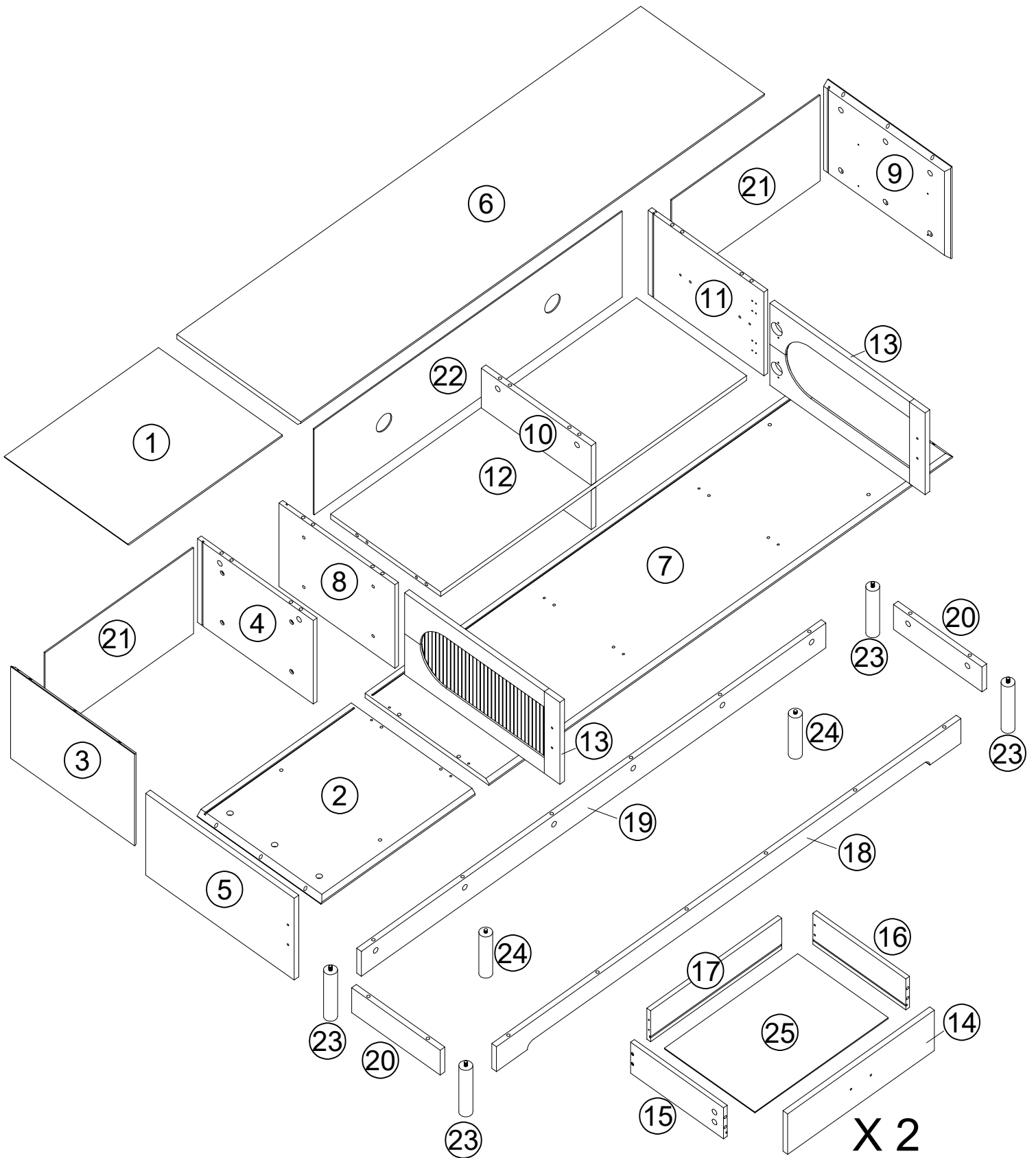
Please check you have all the panels listed below.

Note: The quantities below are the correct amount to complete the assembly. In some cases more fittings may be supplied than are required.

Hardware-Liste

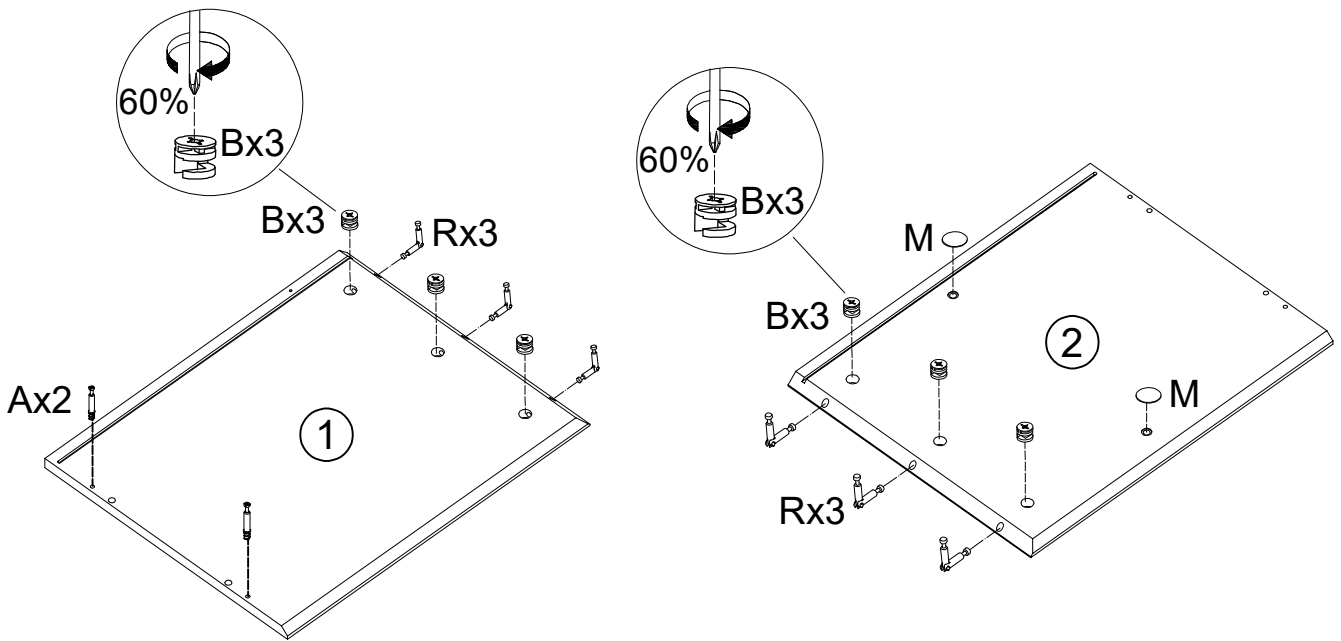
<p>A X 36</p>  <p>M6x35mm</p>	<p>B X 60</p>  <p>Φ15mm</p>	<p>C X 20</p>  <p>Φ6x30mm</p>	<p>D X 18</p>  <p>M4x35mm</p>
<p>E X 52</p>  <p>M3.5x14mm</p>	<p>F X 12</p> 	<p>G X 2</p>  <p>Large Curved</p>	<p>H X 5</p> 
<p>I X 10</p>  <p>M4x18mm</p>	<p>J X 2</p>  <p>Small Curved</p>	<p>K X 2</p> 	<p>L X 4</p>  <p>EVA</p>
<p>M X32</p>  <p>Ø20mm</p>	<p>N X4</p>  <p>M6x18mm</p>	<p>O X 2</p> 	<p>P X 2</p> 
<p>Q X 10</p>  <p>M4x14mm</p>	<p>R X12</p>  <p>M6x45mm</p>	<p>S X 12</p>  <p>M3.5x12mm</p>	<p>T X2</p> 
<p>U X2</p> 	<p>V X1</p>  <p>4#</p>	<p>CL X2</p> 	<p>DL X2</p> 
		<p>CR X2</p> 	<p>DR X2</p> 



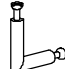

Assembly Instructions



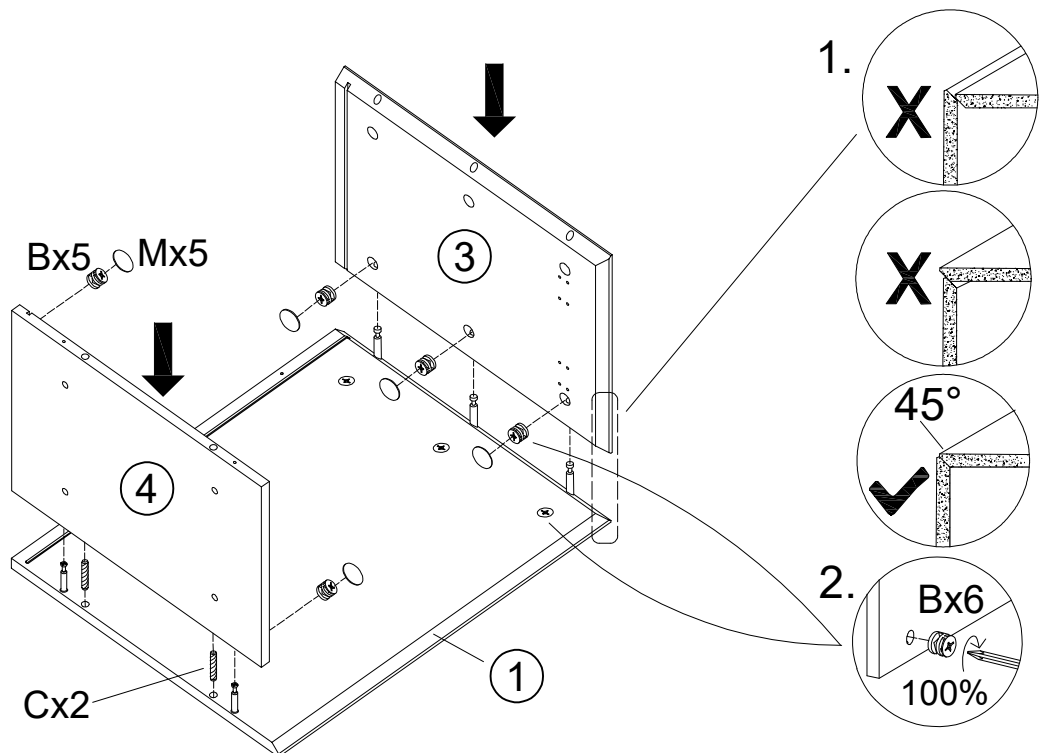
Assembly Instructions


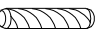
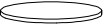
STEP 1



A	x2	B	x6	R	x6	M	x2
							
M6x35mm		Ø15mm		M6x45mm		Φ20mm	

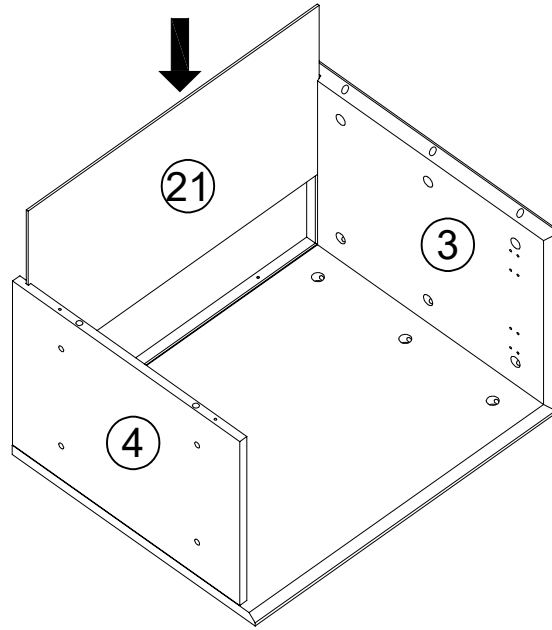
STEP 2



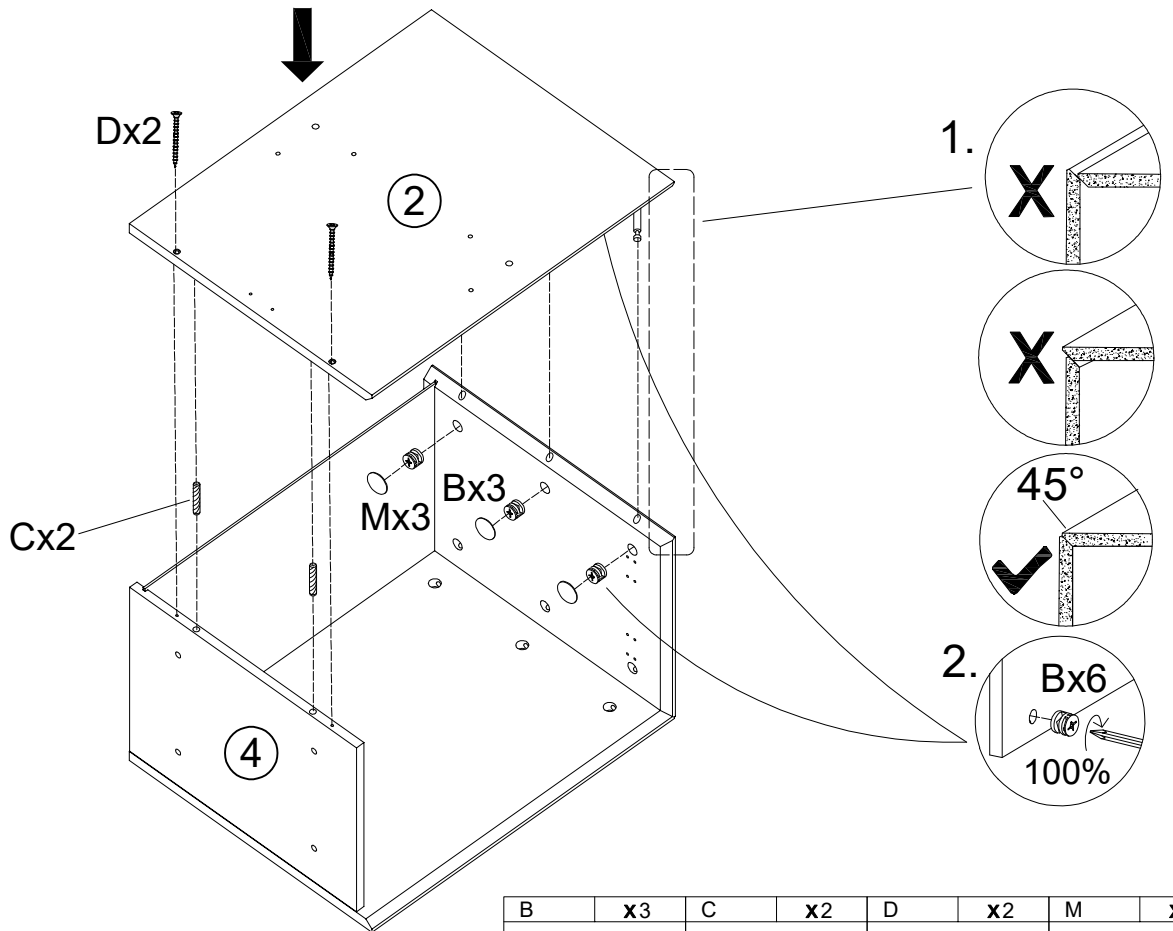
B	x5	C	x2	M	x5
					
Ø15mm		Φ6x30mm		Φ20mm	

Assembly Instructions

STEP 3



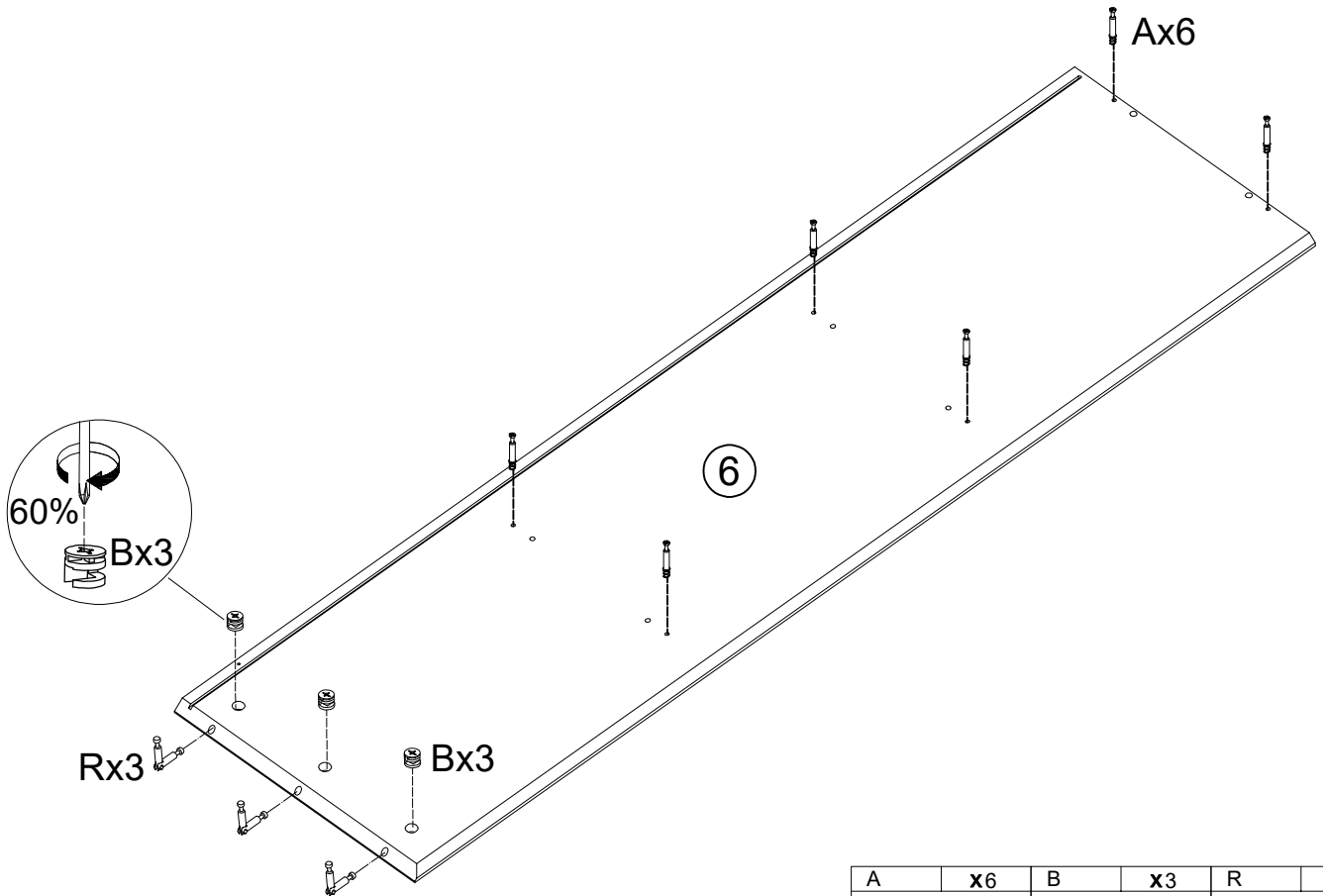
STEP 4

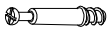

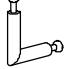


B	x3	C	x2	D	x2	M	x3
Ø15mm		Φ6x30mm		M4x35mm		Φ20mm	

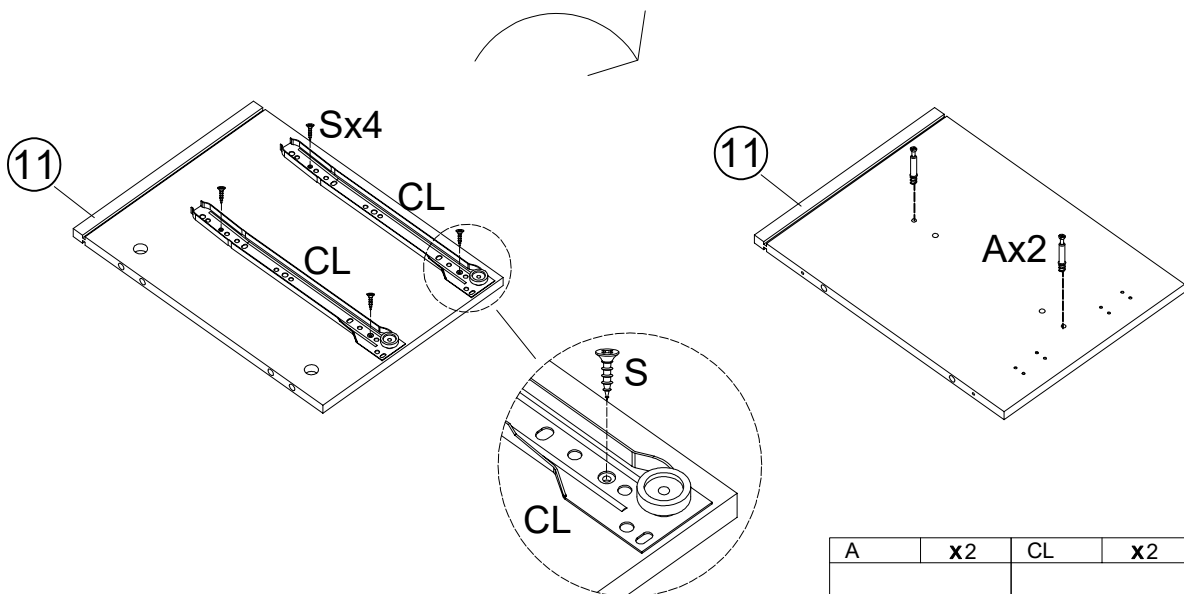
Assembly Instructions

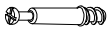

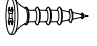
STEP 5



A	x6	B	x3	R	x3
					
M6x35mm		Ø15mm		M6x45mm	

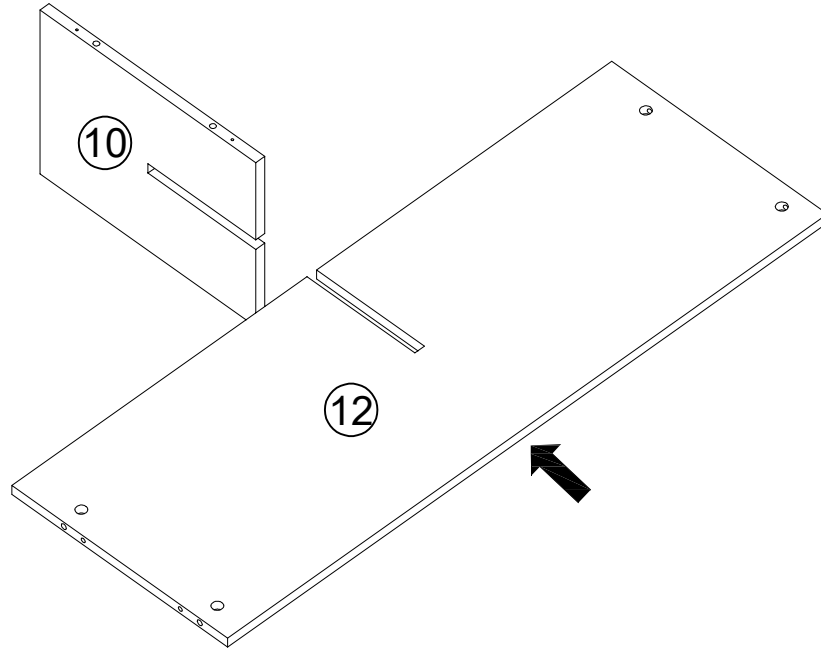
STEP 6



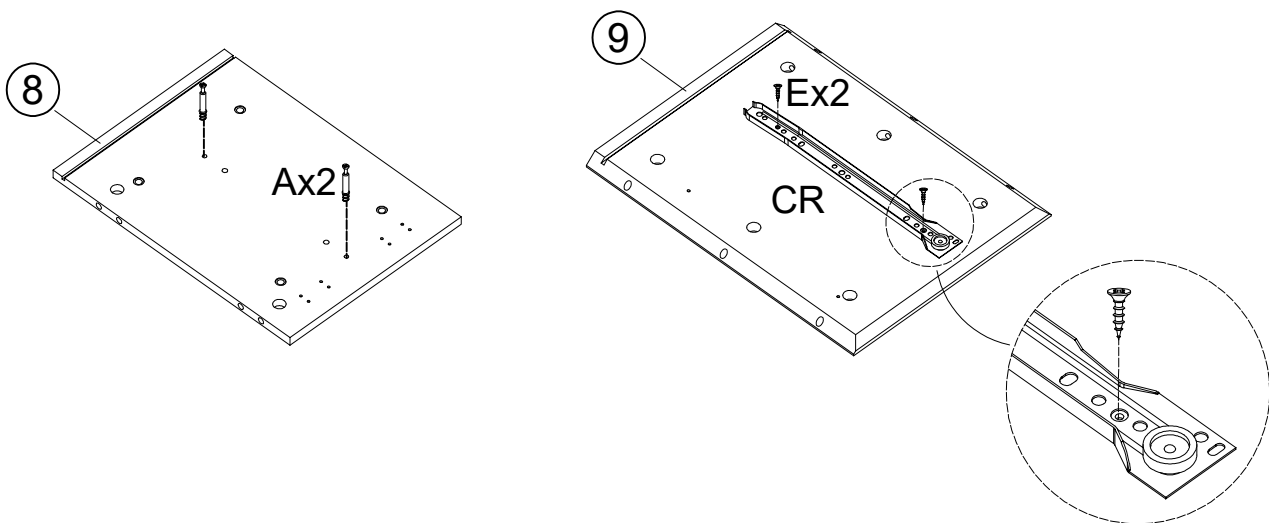
A	x2	CL	x2	S	x4
					
M6x35mm				M3.5x12mm	



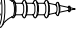
Assembly Instructions

STEP 7



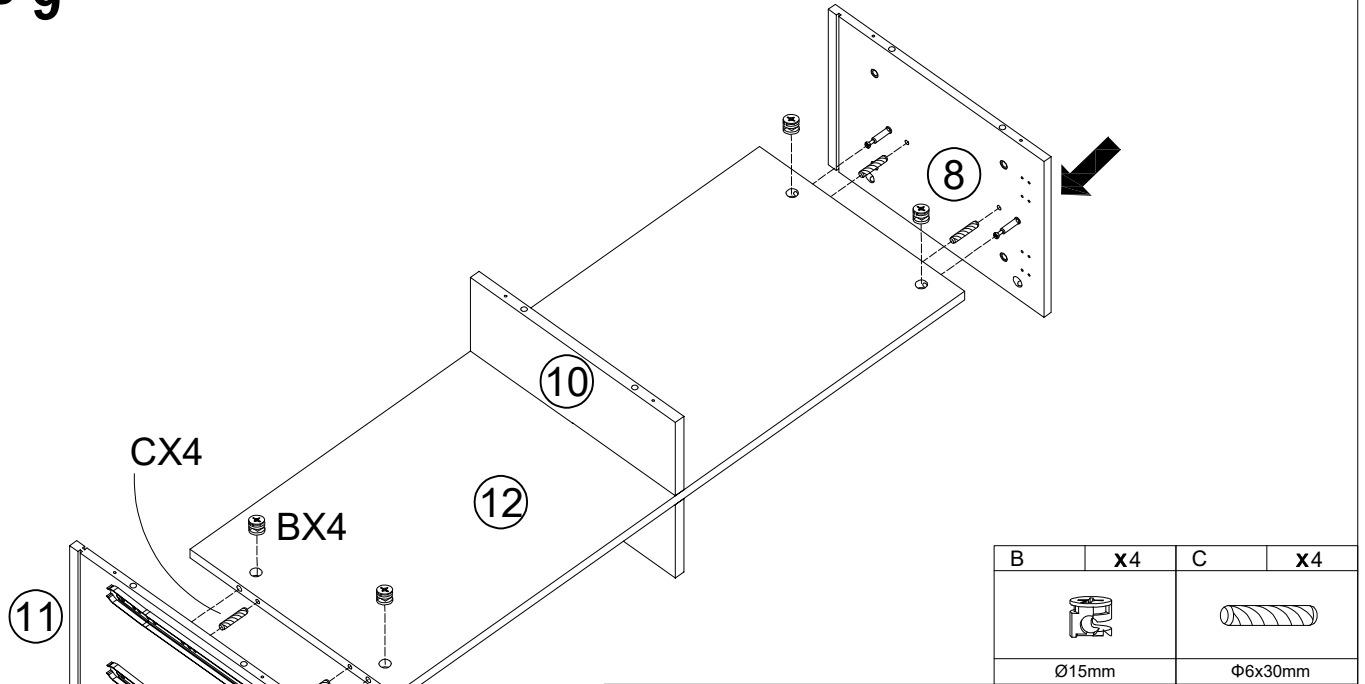
STEP 8



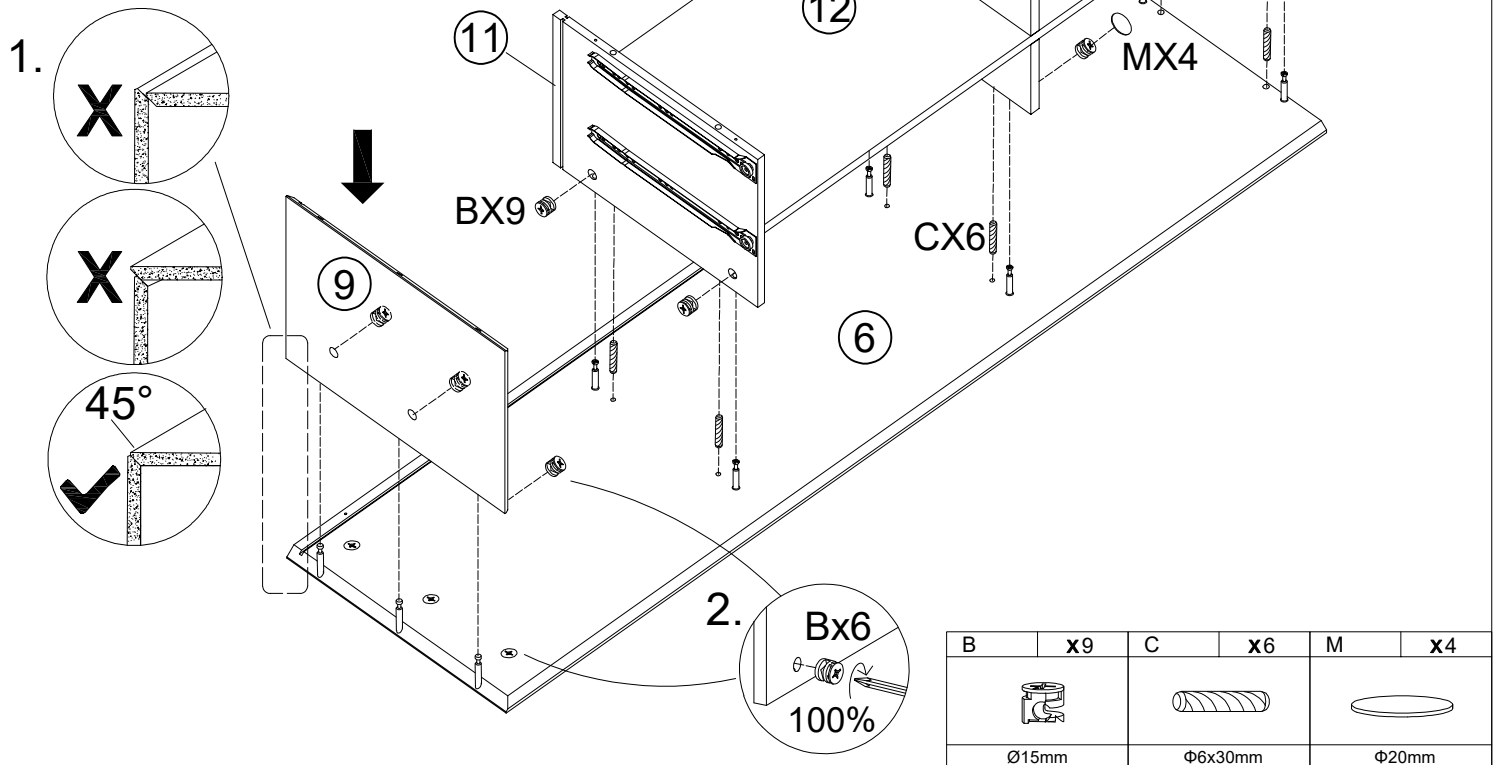
A	x2	CR	x1	E	x2
					
M6x35mm				M3.5x14mm	

Assembly Instructions

STEP 9

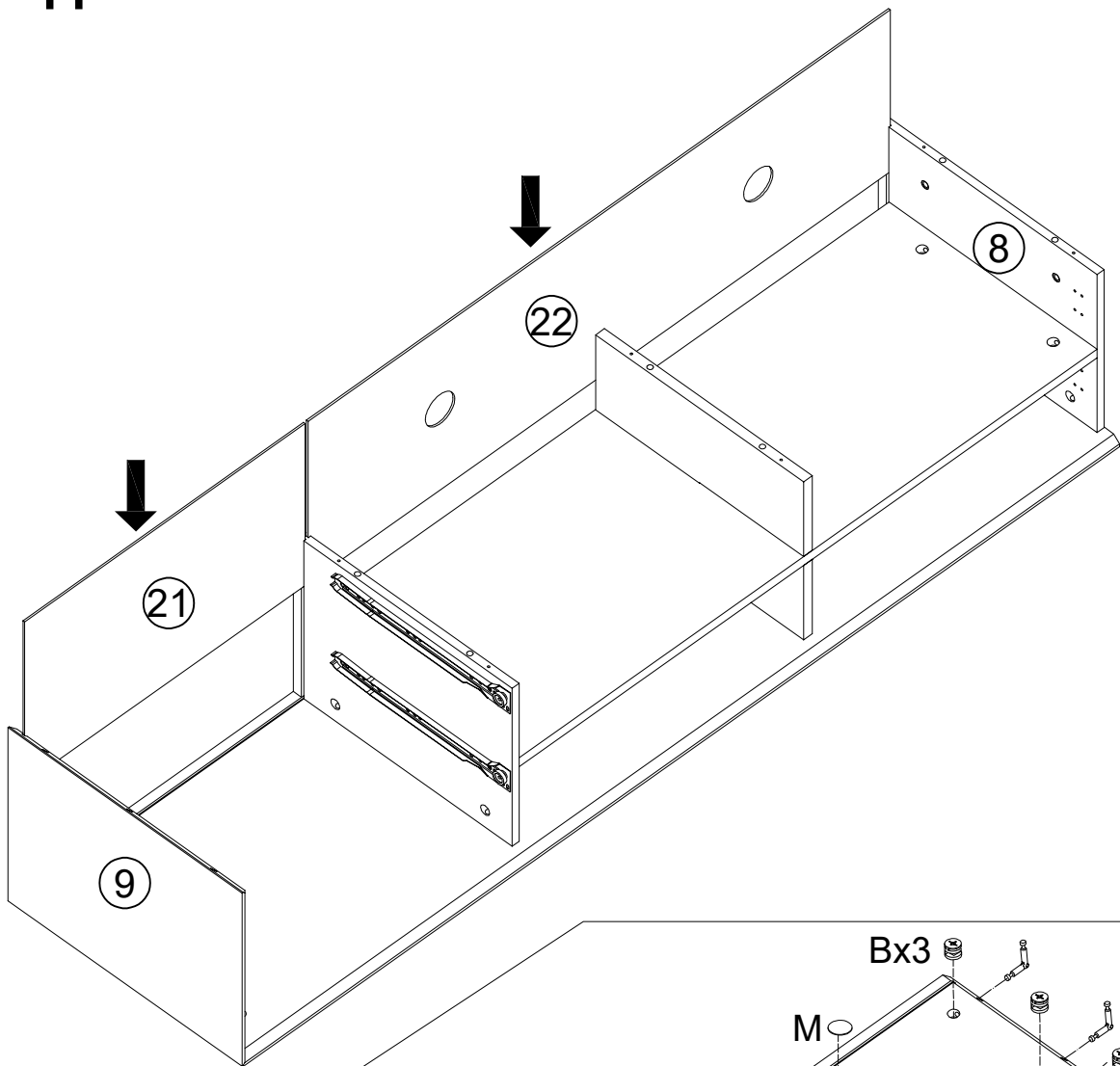


STEP 10

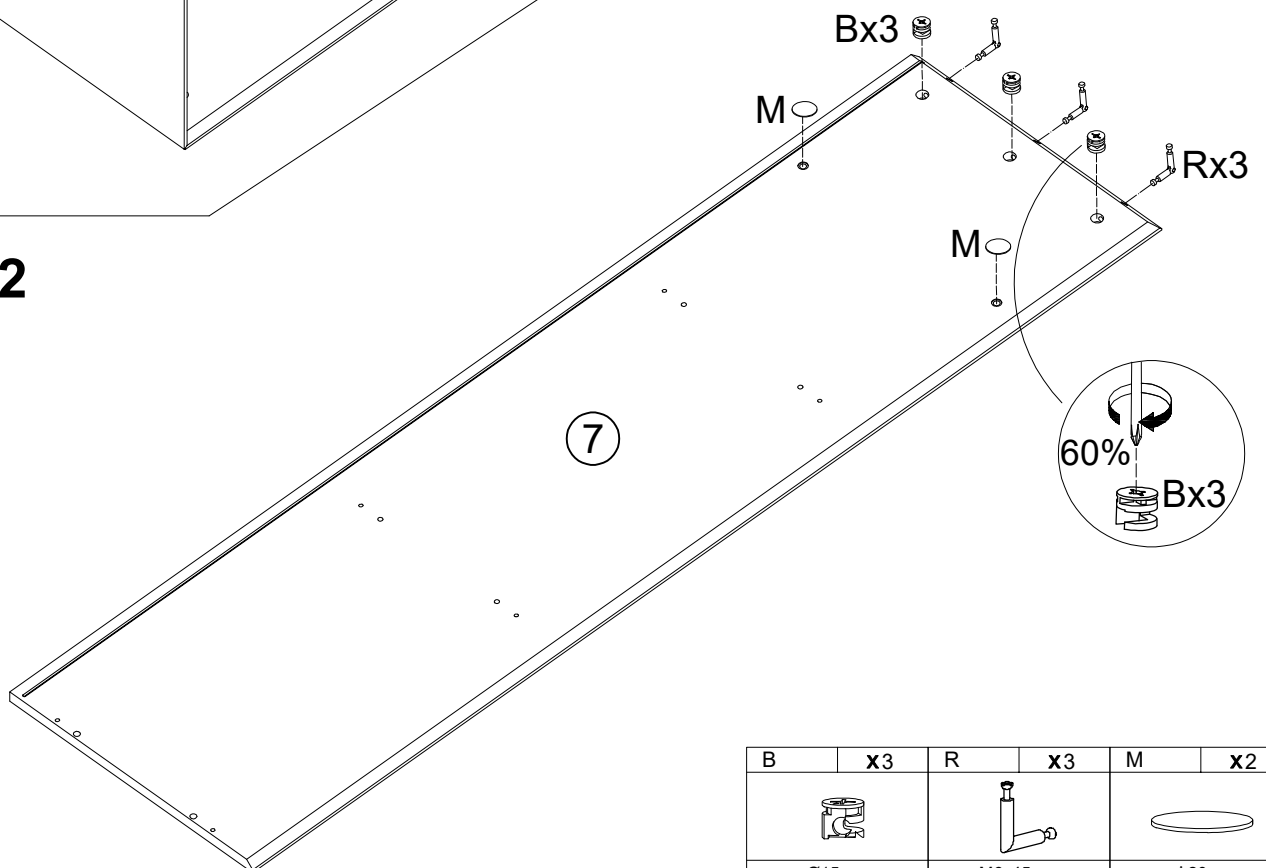



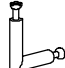

Assembly Instructions

STEP 11



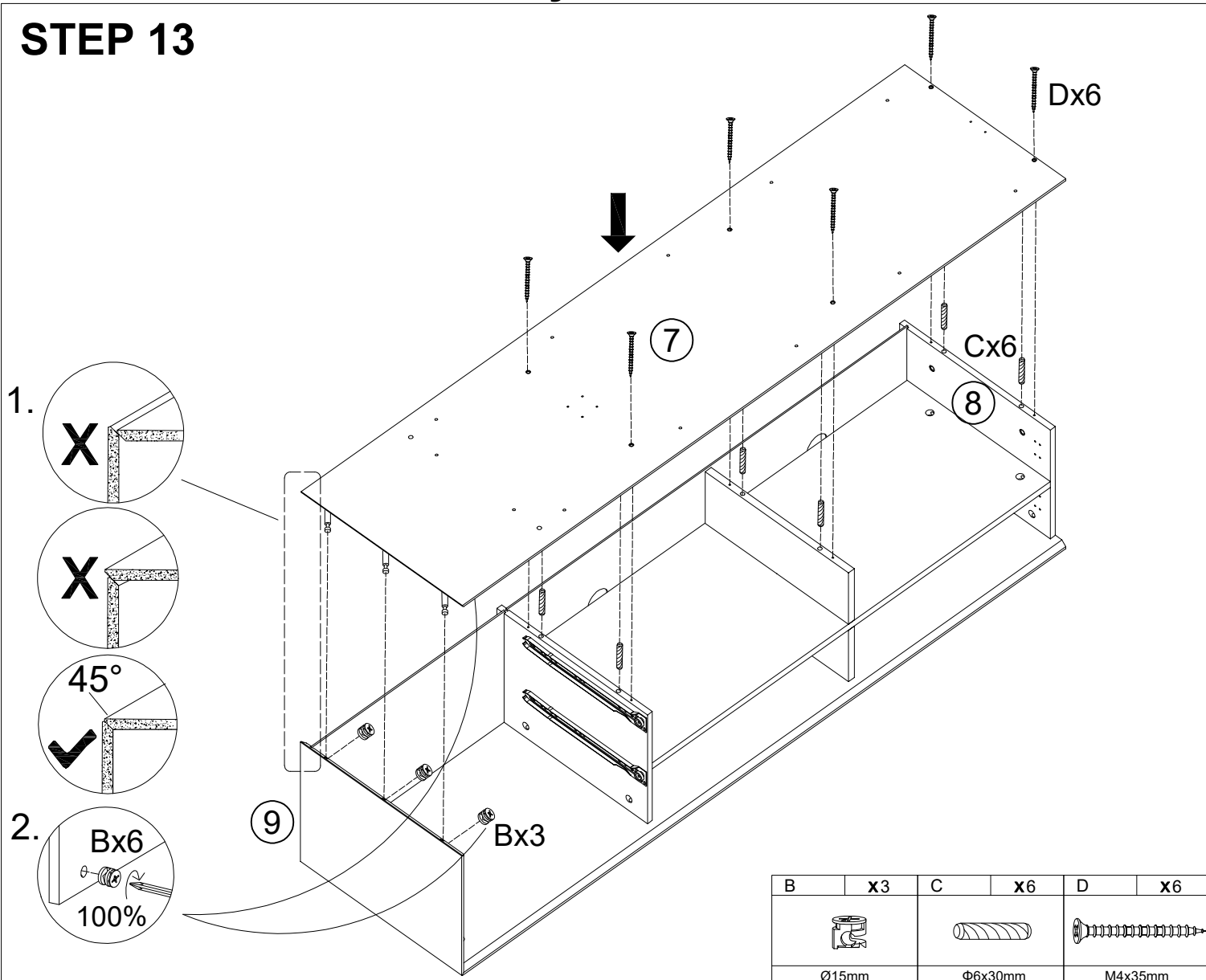
STEP 12



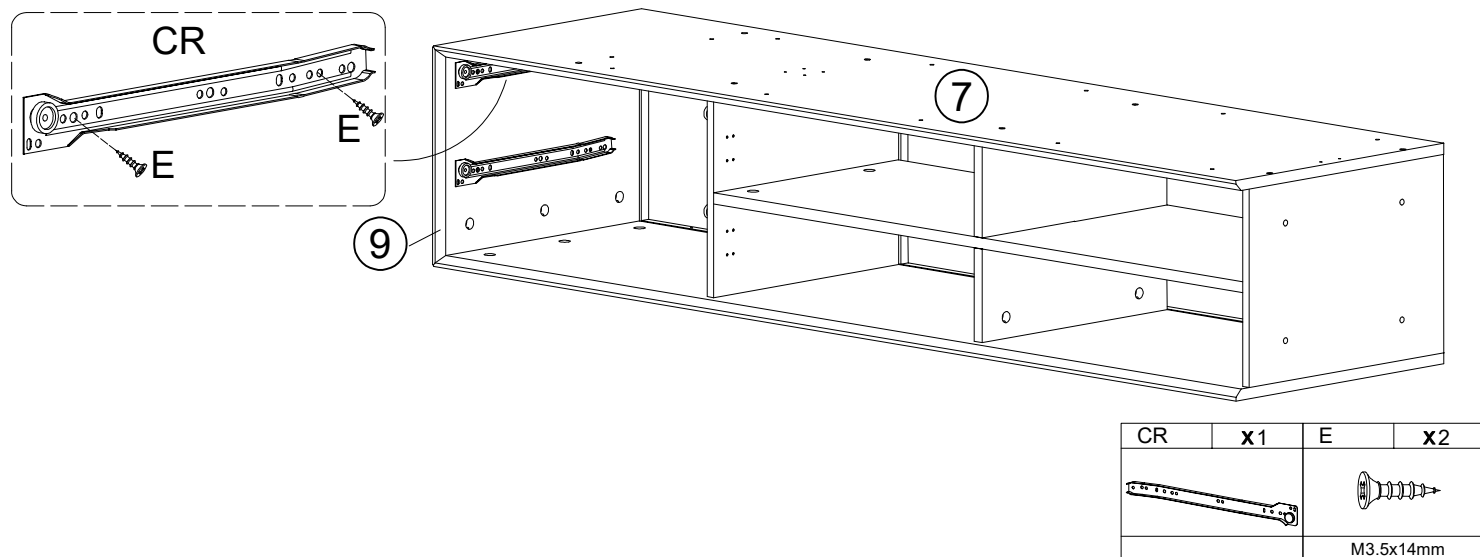
B	x3	R	x3	M	x2
					
Ø15mm		M6x45mm		Φ20mm	

Assembly Instructions

STEP 13

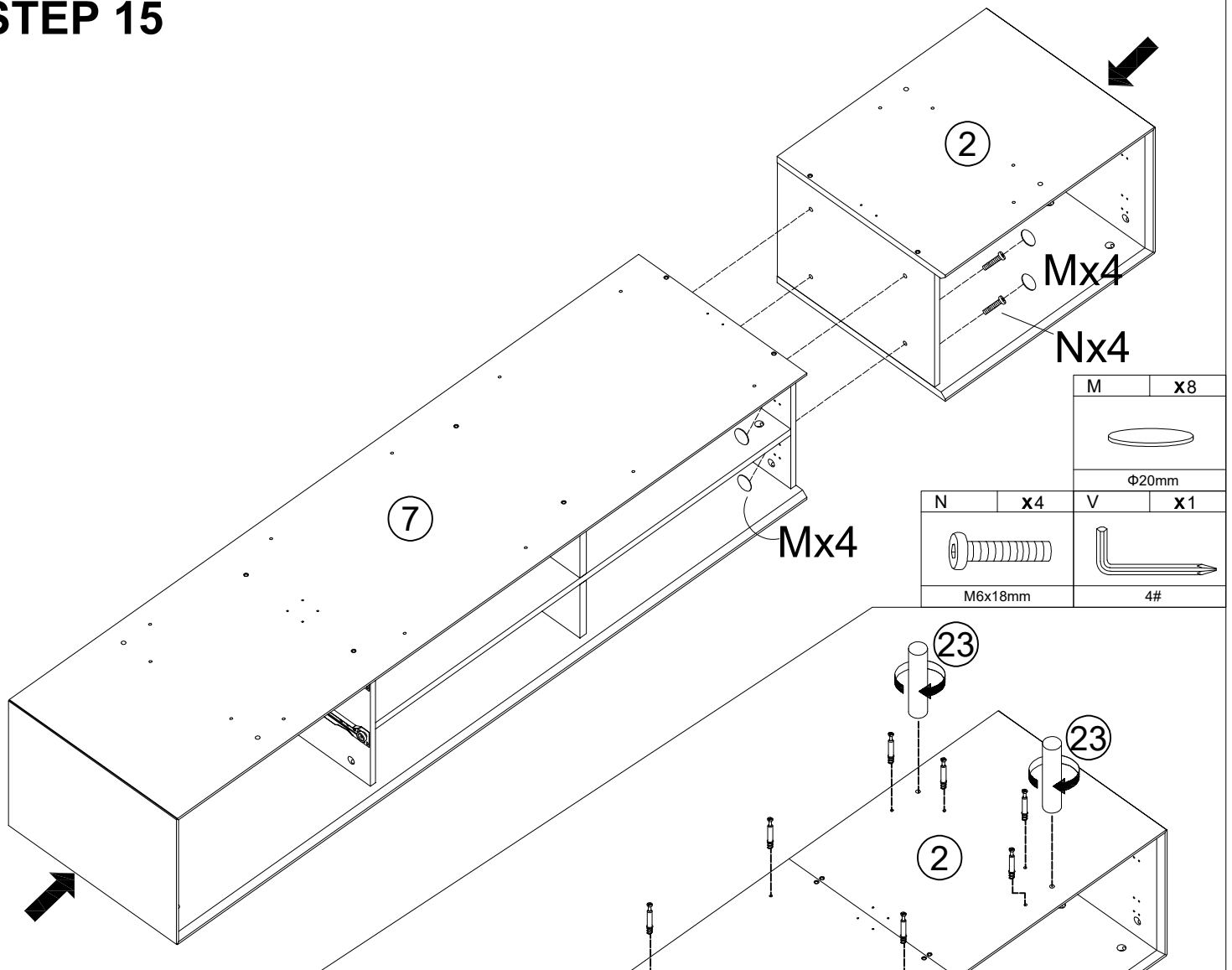


STEP 14

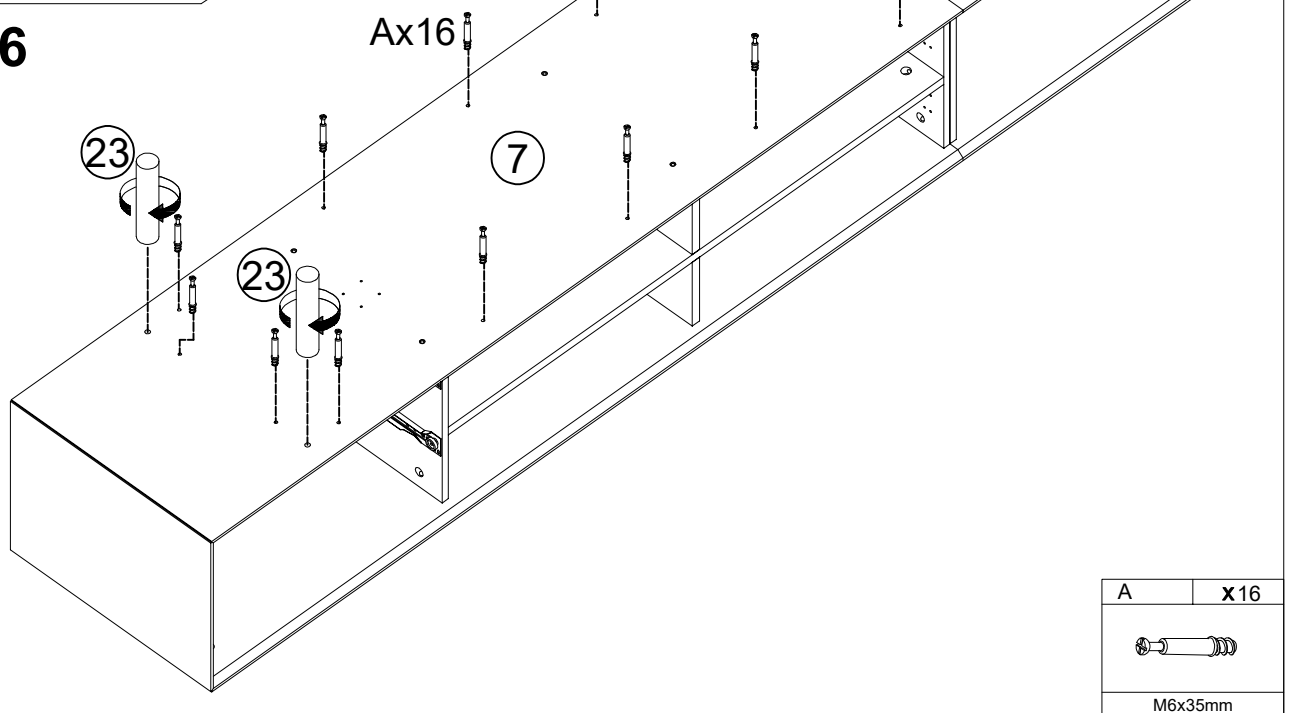


Assembly Instructions

STEP 15

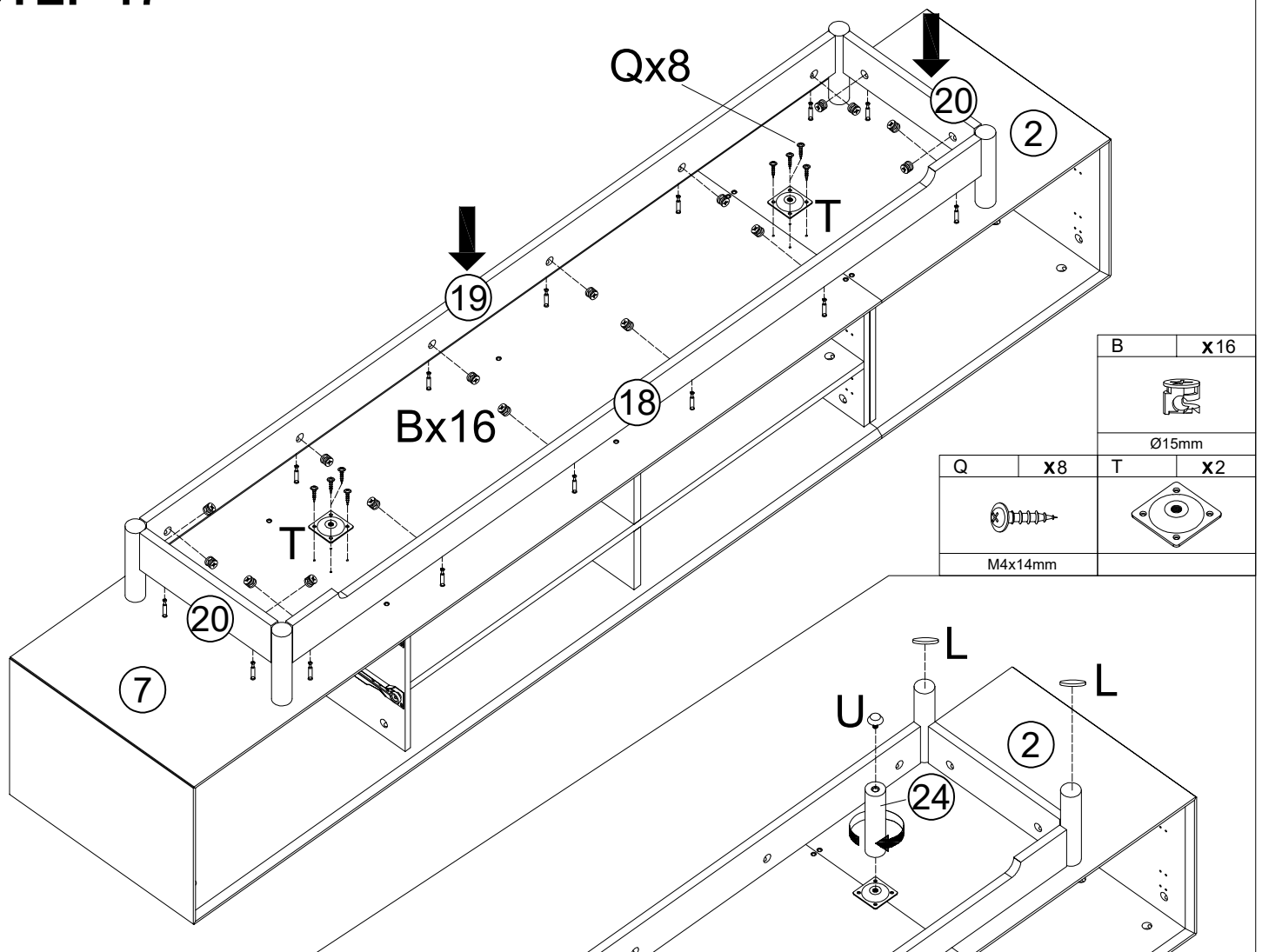


STEP 16

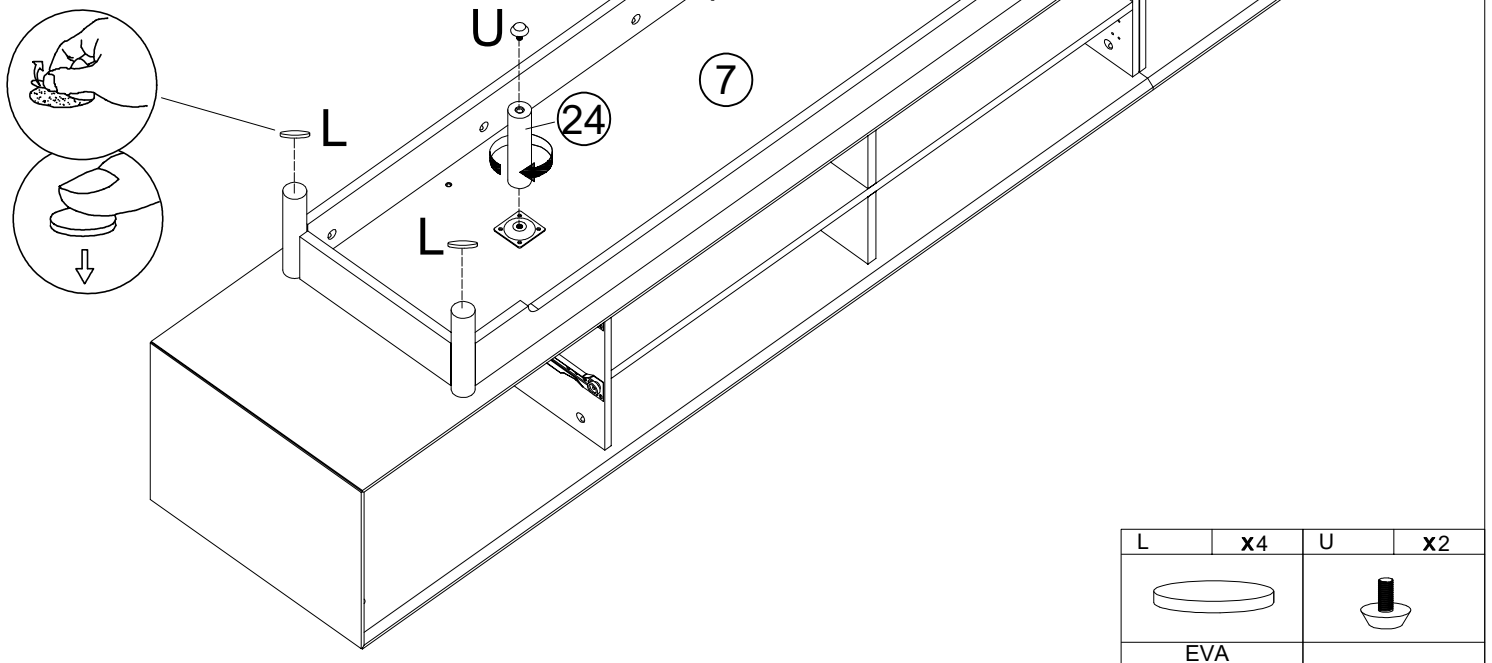


Assembly Instructions

STEP 17

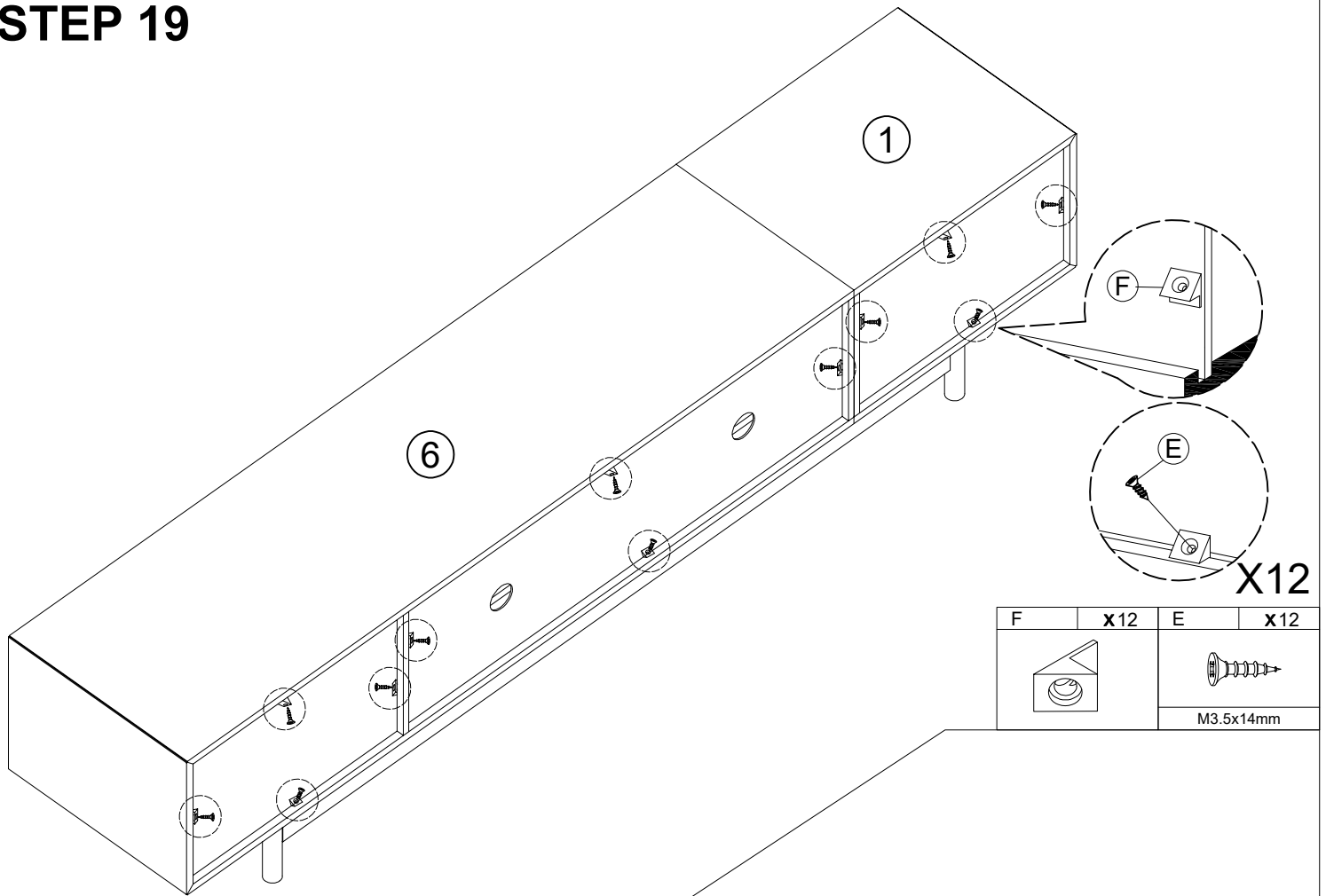


STEP 18

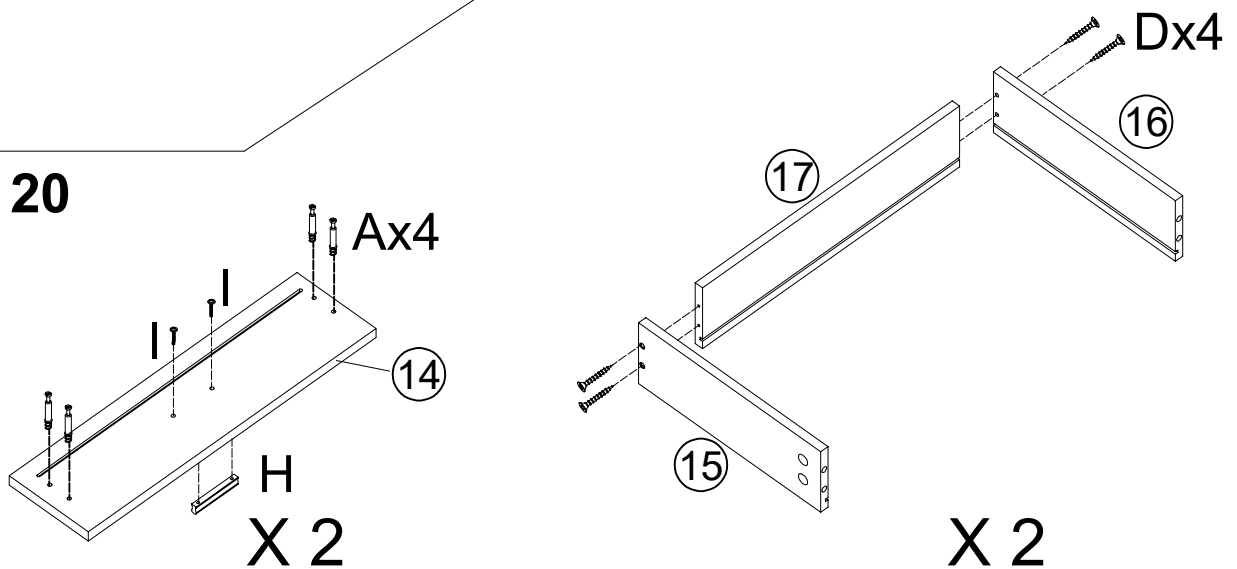


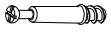
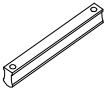

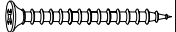
Assembly Instructions

STEP 19



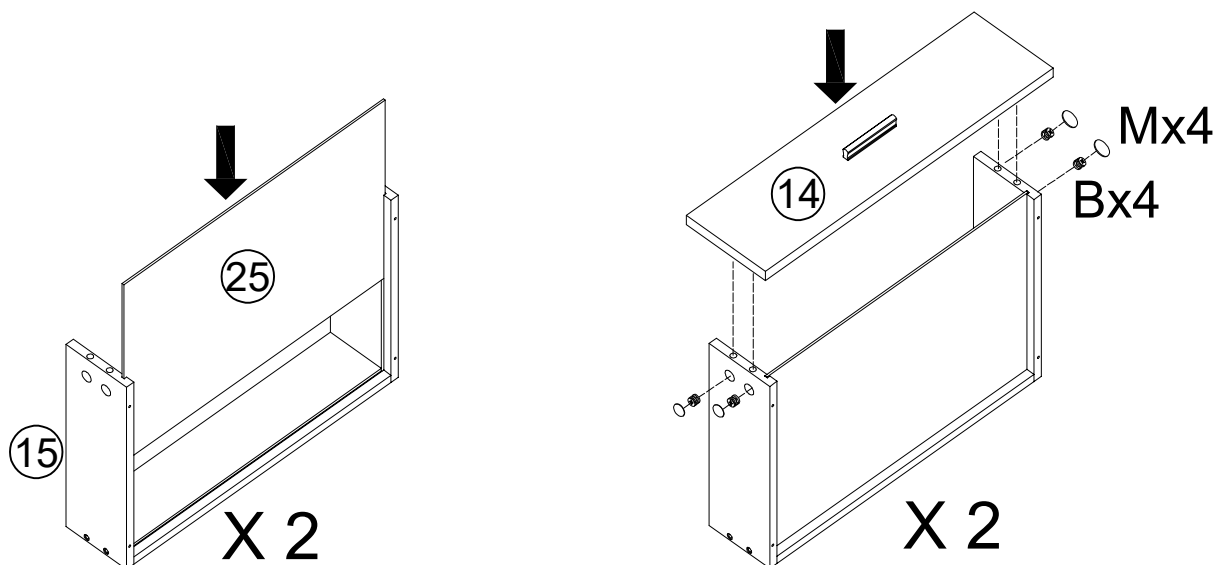
STEP 20


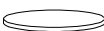


A	x8	H	x2	I	x4	D	x8
							
M6x35mm				M4x18mm		M4x35mm	

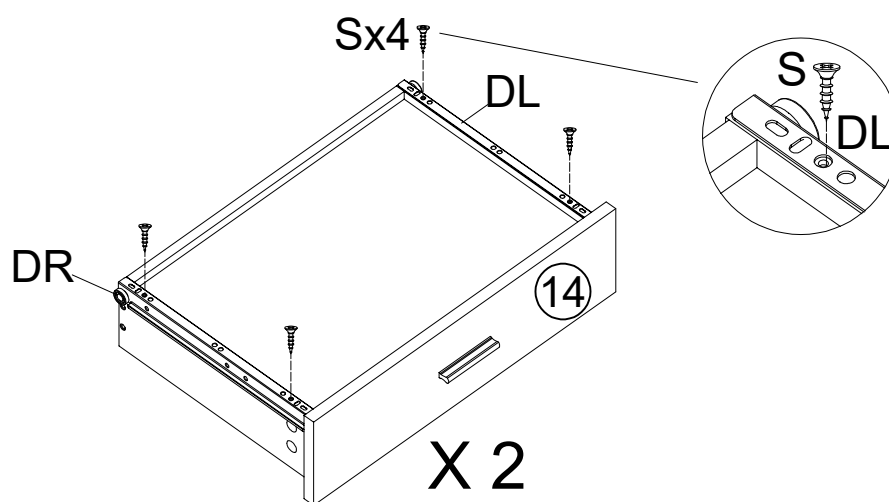
Assembly Instructions

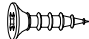


STEP 21



B	x8	M	x8
			
Ø15mm		Φ20mm	

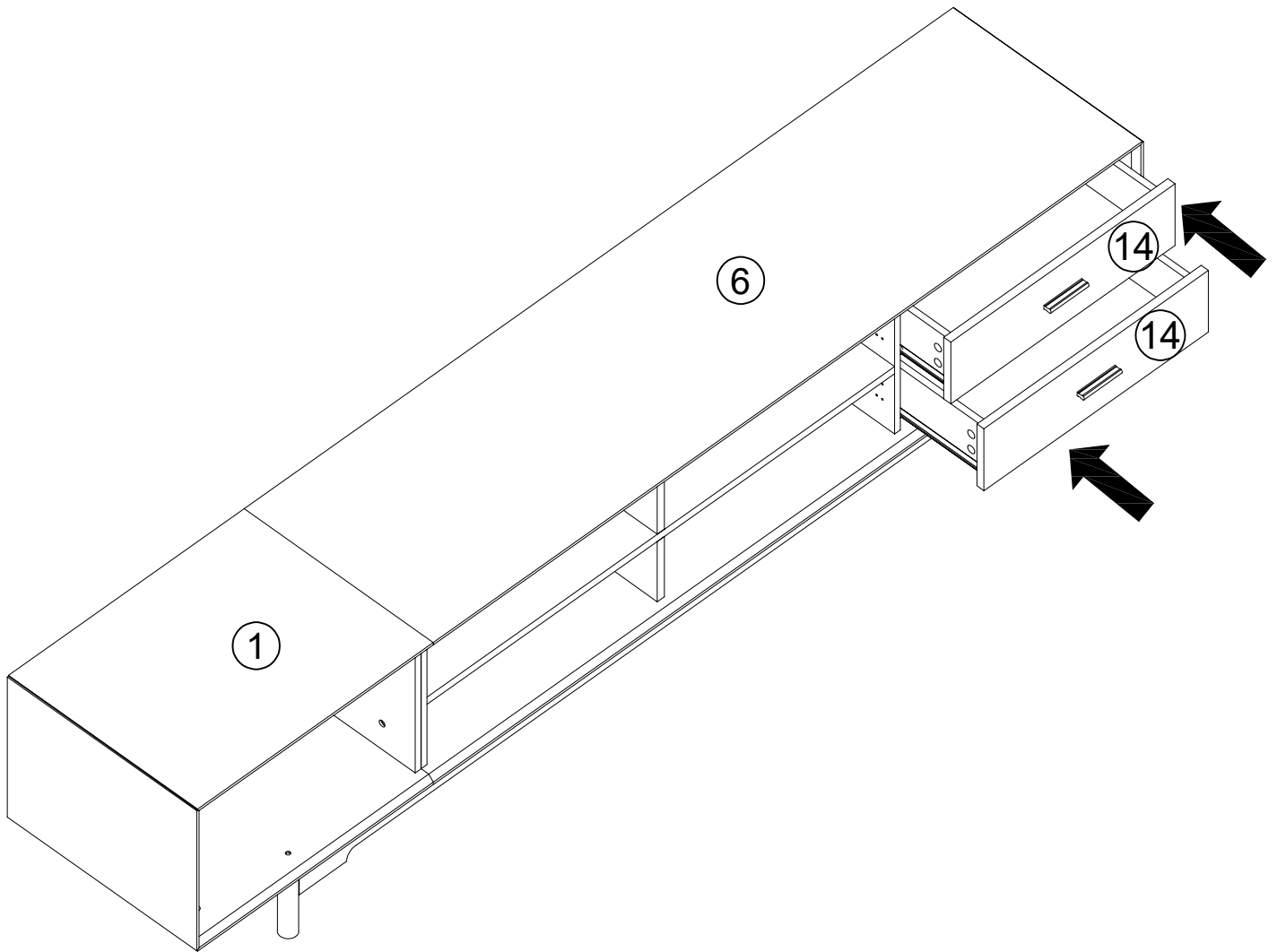
STEP 22



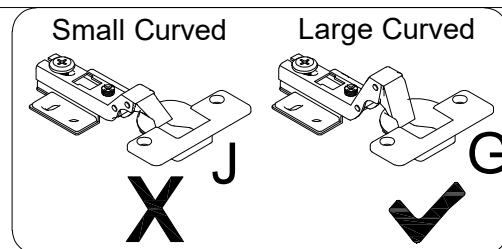
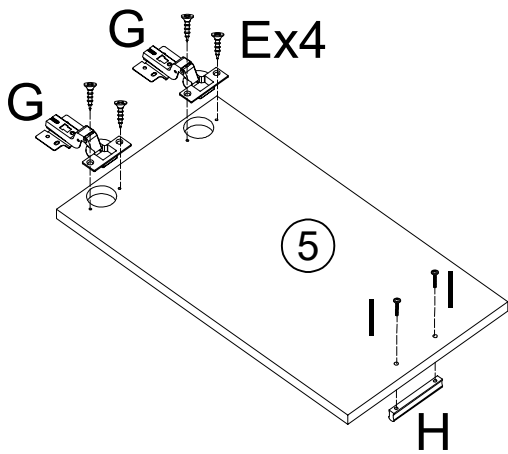
S	x8	DL	x2	DR	x2
					
M3.5x12mm					

Assembly Instructions

STEP 23



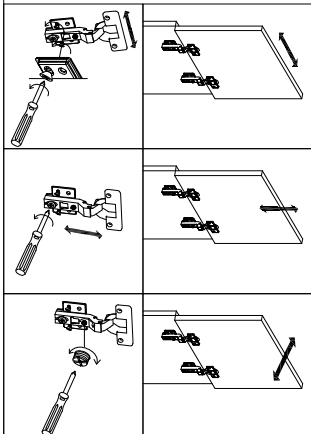
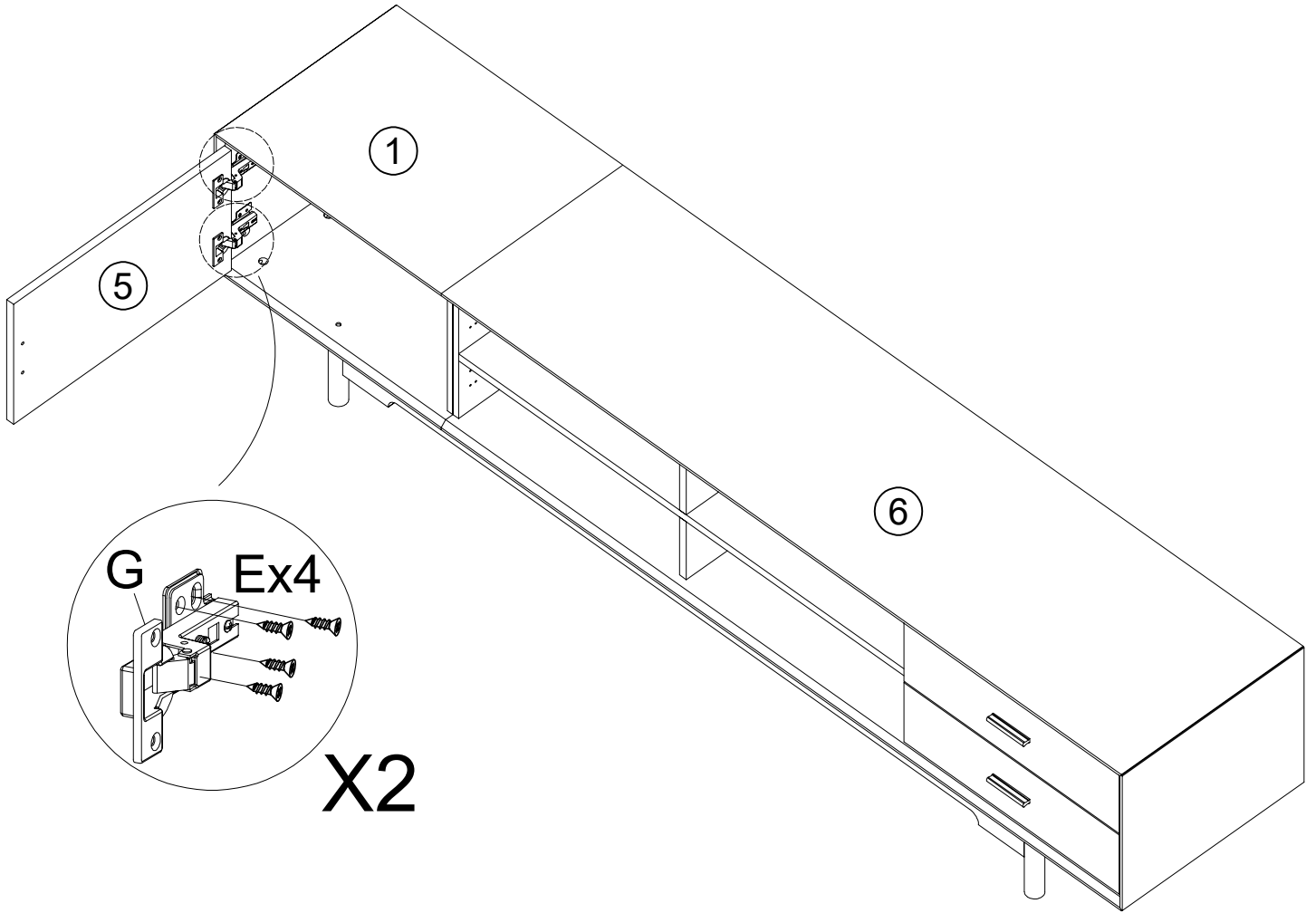
STEP 24

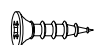


H	x1	I	x2	E	x4	G	x2
		M4x18mm		M3.5x14mm		Large Curved	

Assembly Instructions

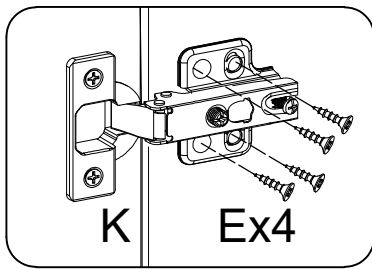
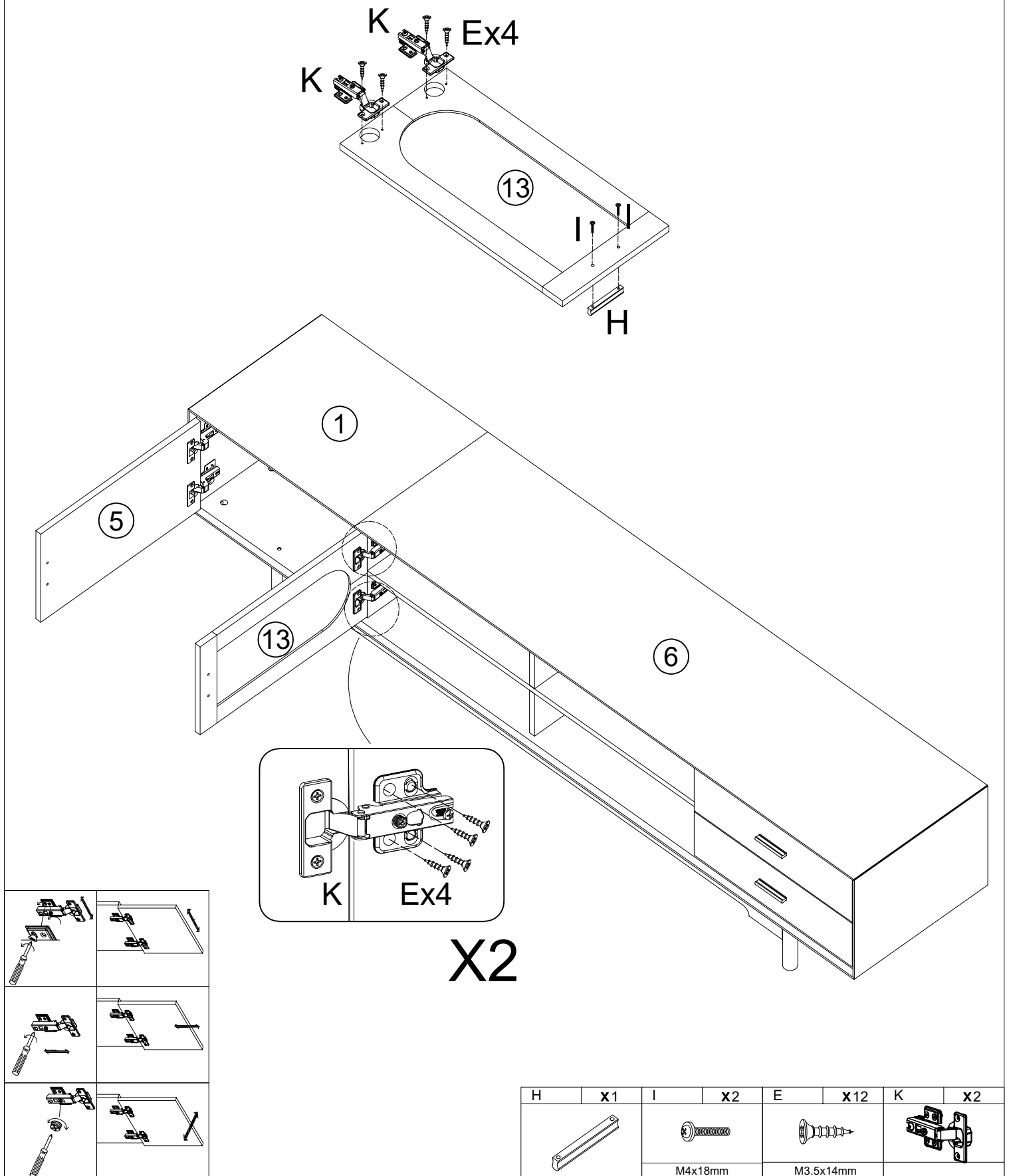
STEP 25



E	x8
	
M3.5x14mm	

Assembly Instructions

STEP 26

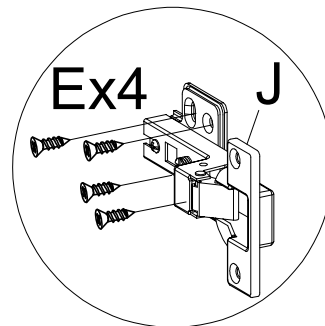
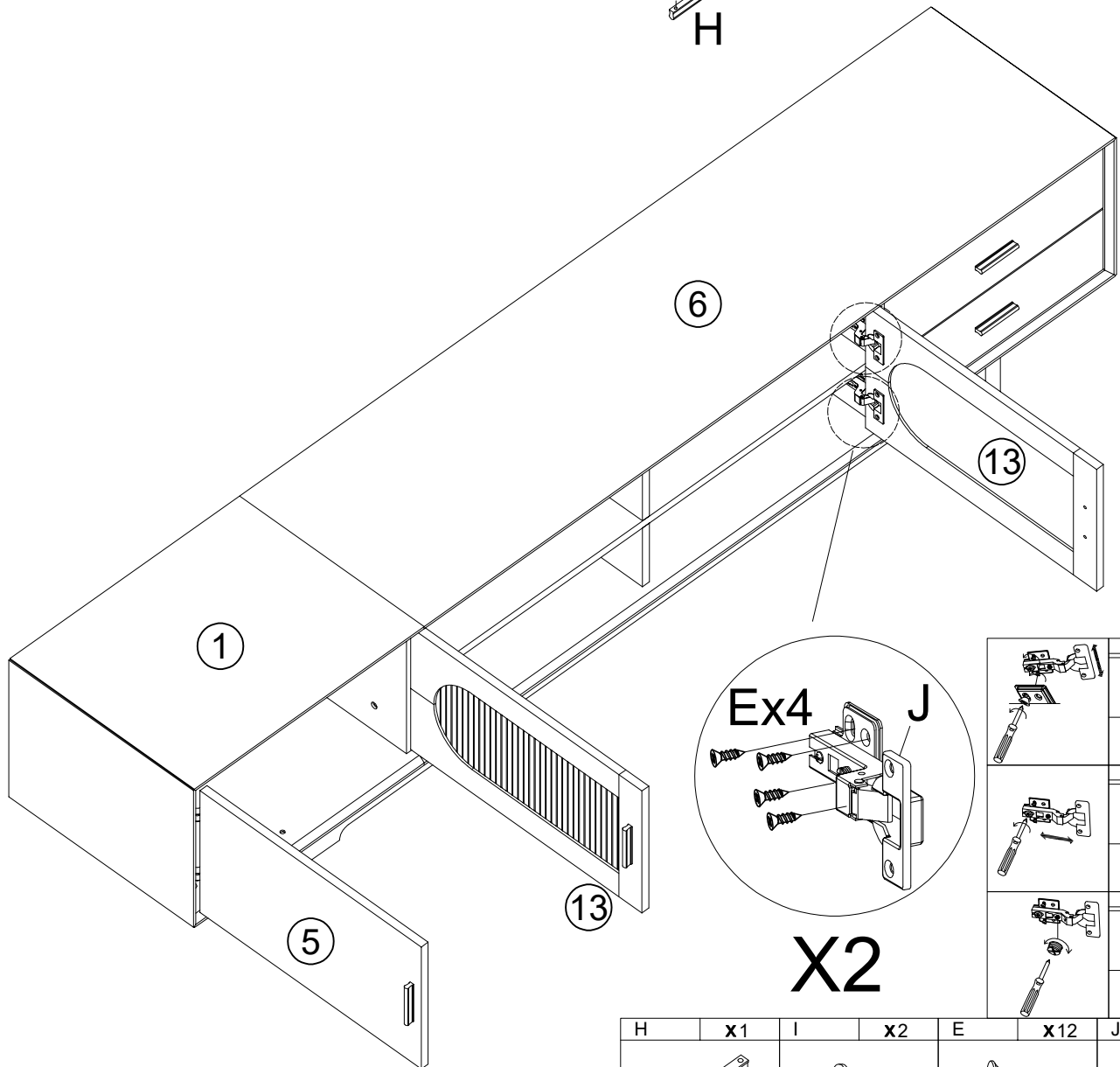
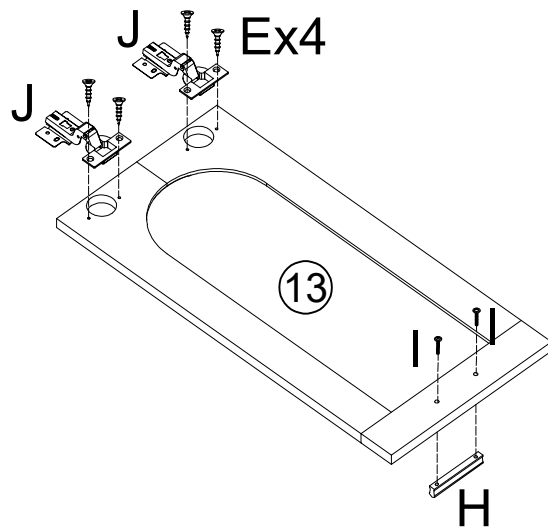


X2

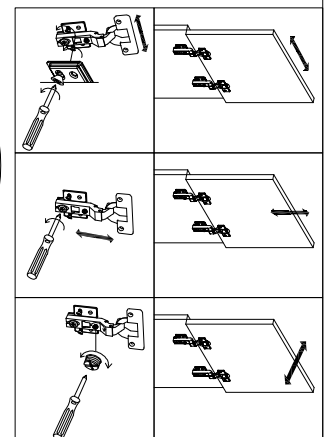
H	x1	I	x2	E	x12	K	x2
		M4x18mm		M3.5x14mm			

Assembly Instructions

STEP 27



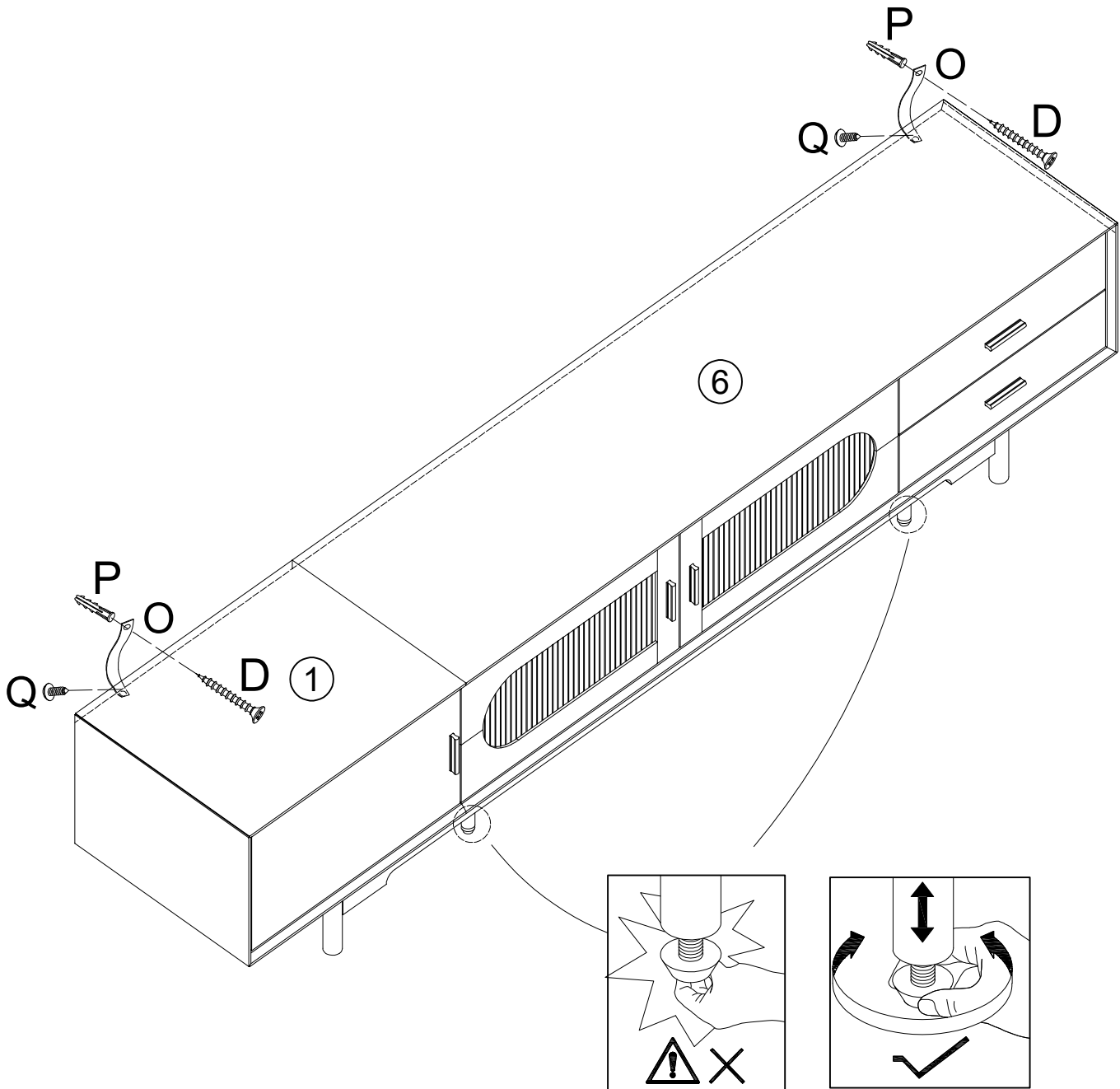
X2

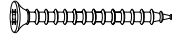

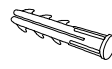
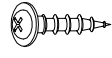


H	x1	I	x2	E	x12	J	x2
		M4x18mm		M3.5x14mm		Small Curved	

Assembly Instructions

STEP 28



D	x2	O	x2	P	x2	Q	x2
							
M4x35mm				M4x14mm			