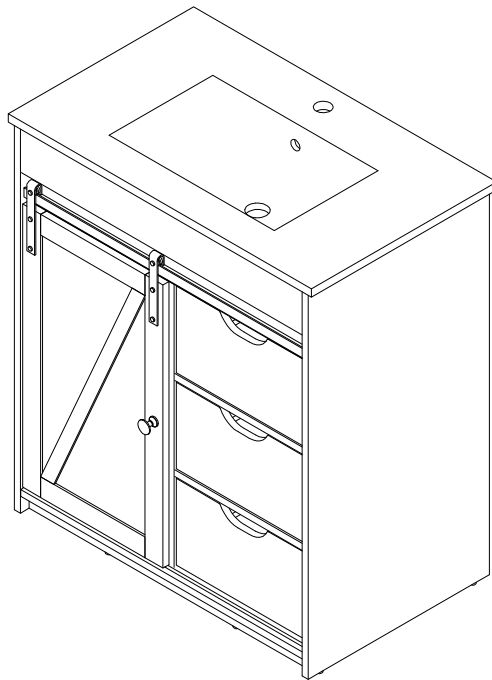
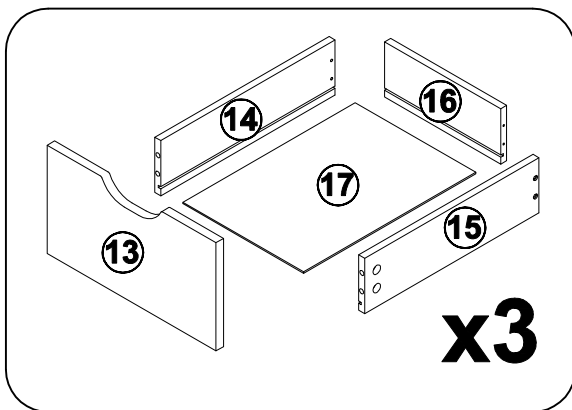
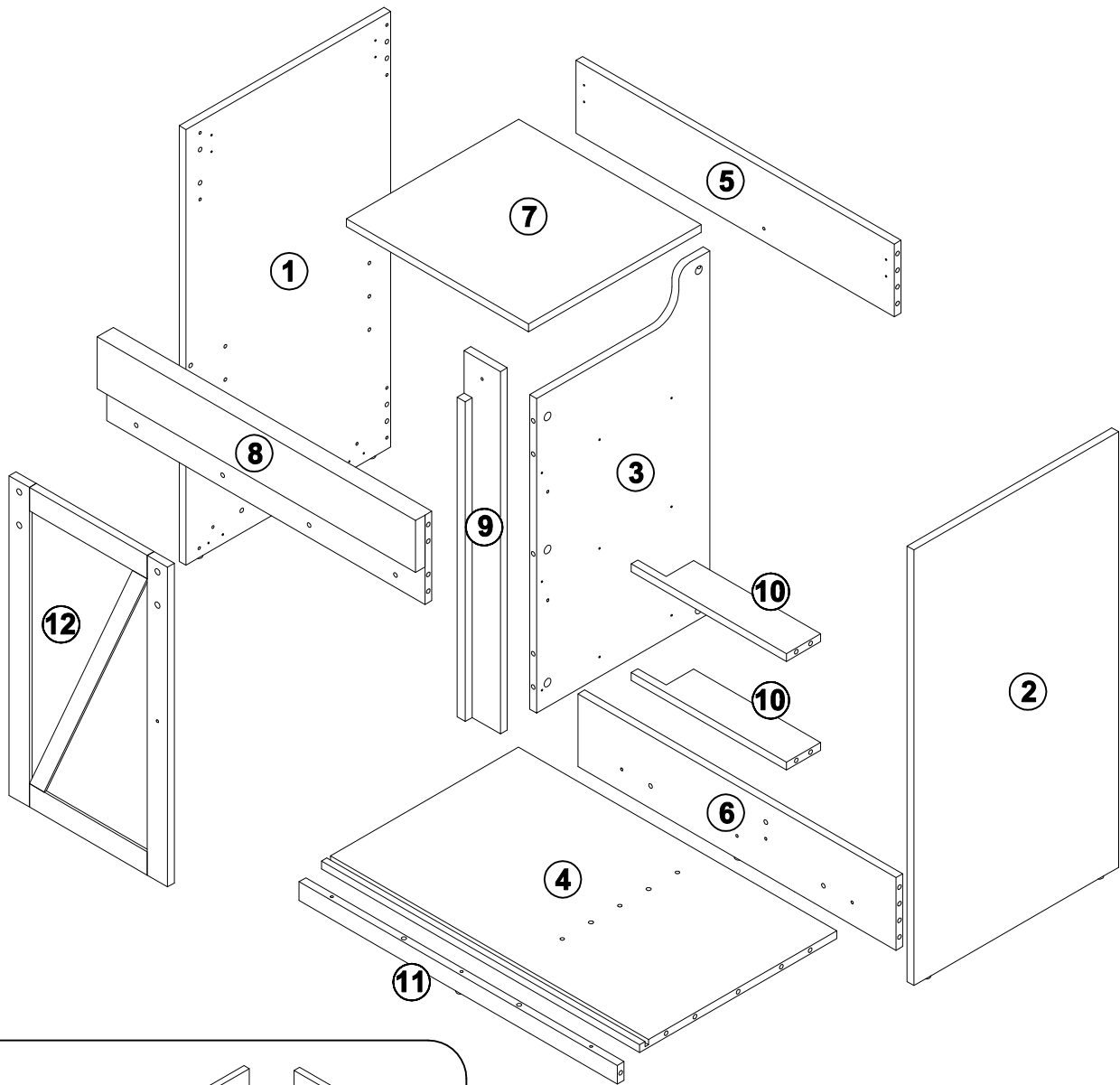





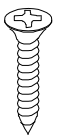
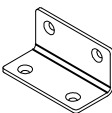
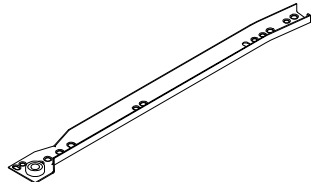
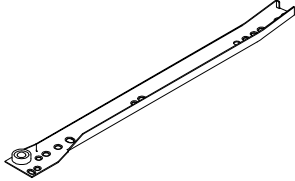
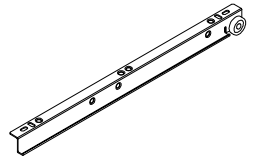
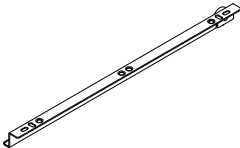

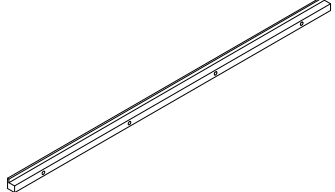


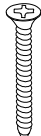

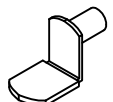

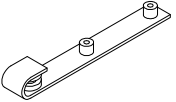
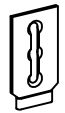

ASSEMBLY INSTRUCTIONS



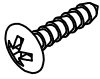
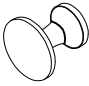

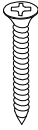

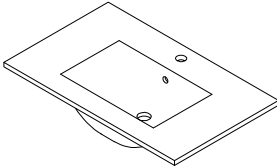
PACKAGE INCLUDE



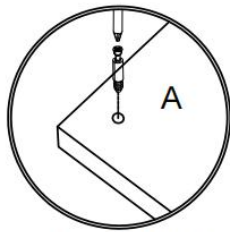
PACKAGE CONTENT

Ø6x35MM  (A) 44x+2	Ø15x11MM  (B) 32x+2	Ø8x30MM  (C) 27x+2	Ø3.5x12MM  (D) 32x+2
 (E) 8x	 (F) 3x	 (G) 3x	 (H) 3x
 (J) 3x	Ø3.5x12MM  (K) 36x+2	 (L) 1x	1/4"x25MM  (M) 4x
4MM  (N) 1x	Ø4x38MM  (O) 15x+1	Ø6x50MM  (P) 3x	 (Q) 4x
Ø15x9MM  (R) 12x+1	 (S) 2x	 (T) 2x	1/4"x12MM  (U) 4x

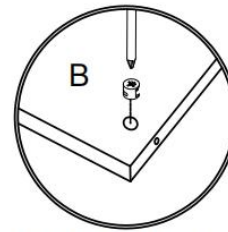
PACKAGE CONTENT

Ø4x12MM  Ⓥ 4x	 Ⓦ 1x	5/32"*22MM  Ⓧ 1x	Ø4x25MM  Ⓨ 1x
Ø5xØ13x9MM  Ⓩ 1x	 ⒶⒶ 1x		

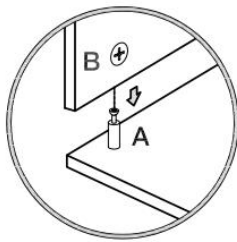
How to use the cam lock system



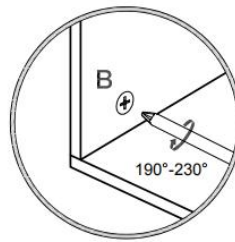
1. Screw cam bolt into panel



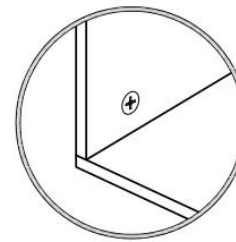
2. Push cam into panel - arrow feature on cam top points to panel edge



3. Align cam bolt(s) with cam(s) and insert all the way into cross-bored hole(s)

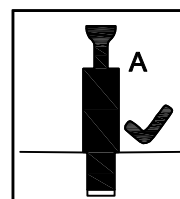
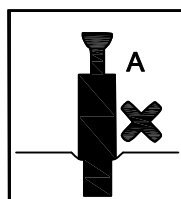
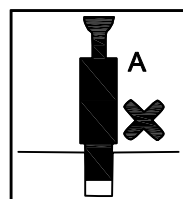
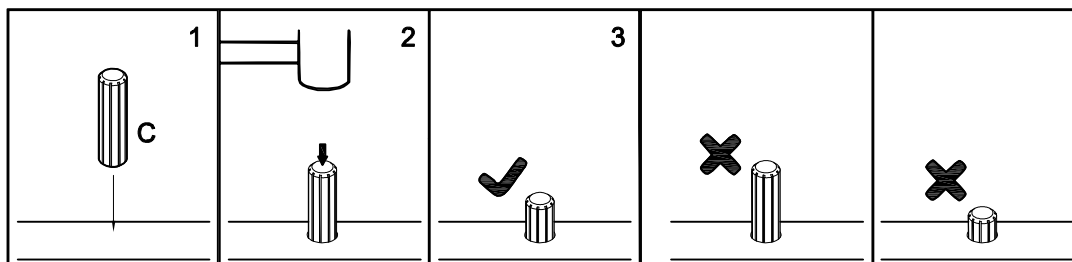


4. Rotate cam(s) clockwise 190°-230° to lock panels together



5. Panels should be tight against each other and connection should be rigid

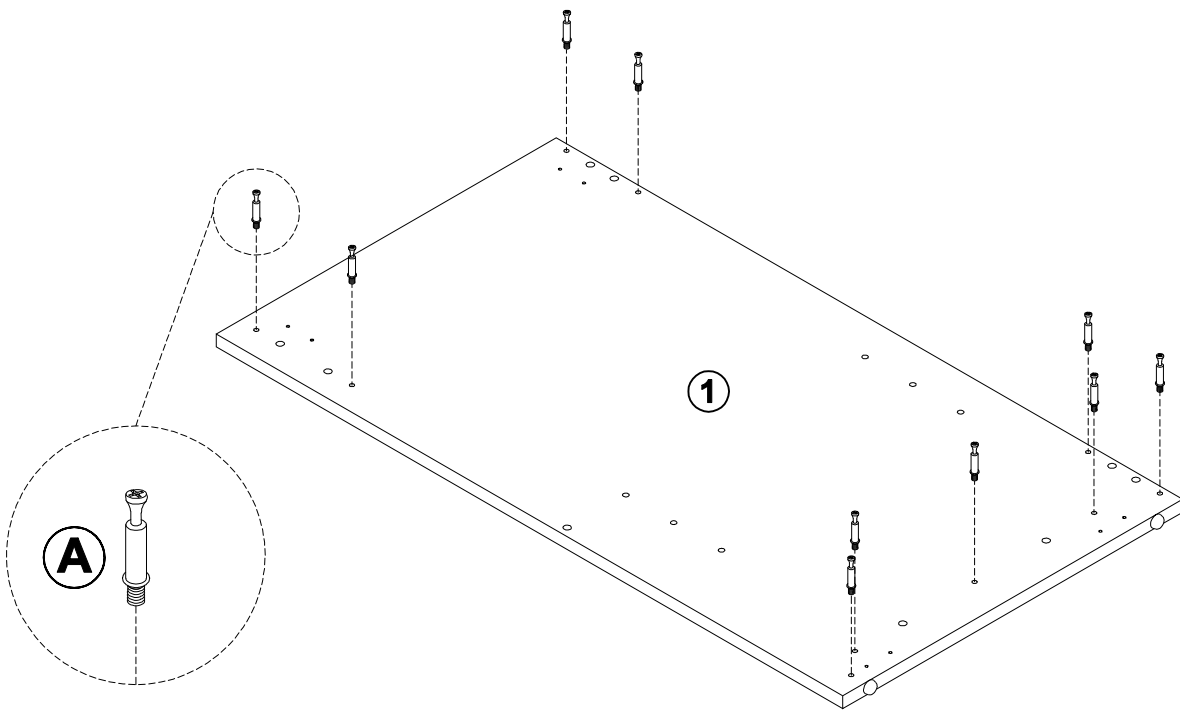
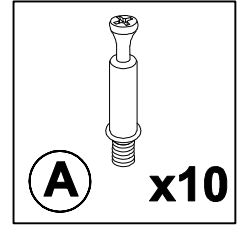
Insert the wood dowel (C) at least half way by tapping lightly with a rubber mallet, IT NECESSARY.



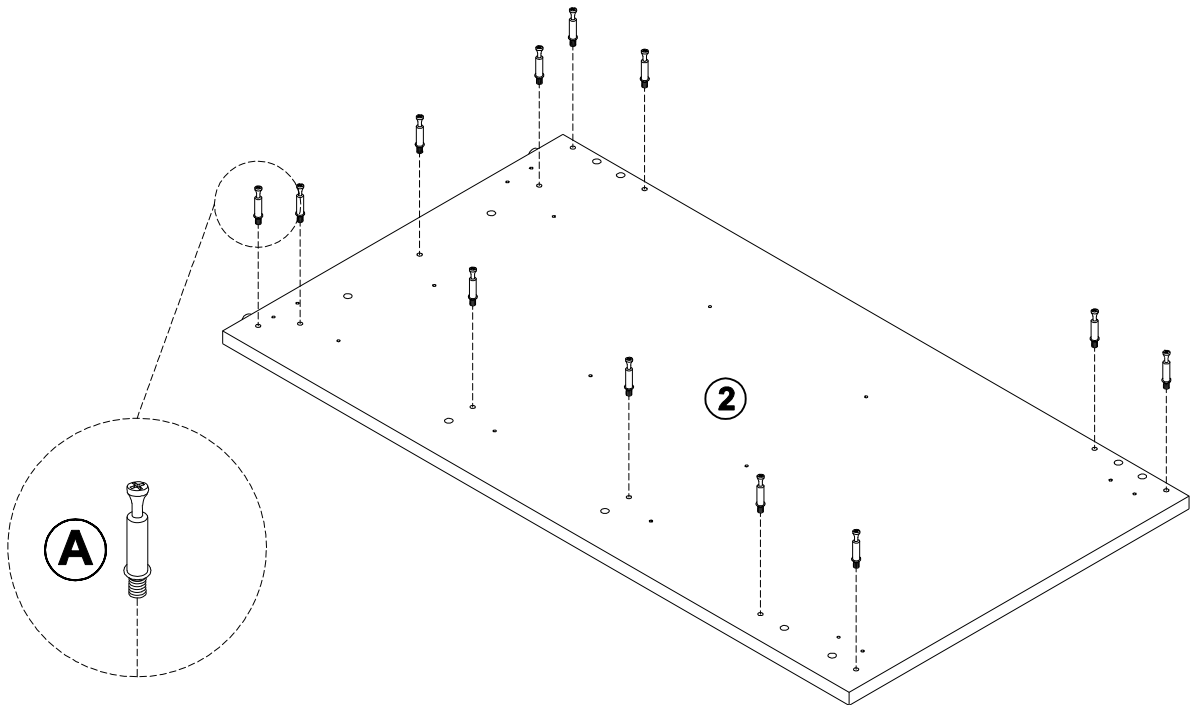
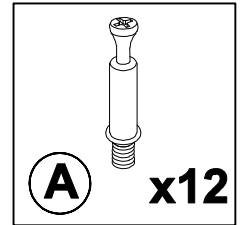
WARNING

- Unit must be placed on a level surface or leveled with included hardware (when applicable).
- Do not sit or stand on or allow children to climb, sit or stand on the assembled product.
- For safety reasons, it is imperative that this unit be mounted to the wall.
- Do not use without installing the tip restraint.
- Unit can tip over causing severe injury or death.
- Do not exceed the recommended weight limits.
- Evenly distribute the weight on each level and always keep the heavier loads on the bottom.
- Before cutting, drilling or hammering into any wall or floor surface, verify the location of electrical, plumbing and gas lines. Cutting may cause serious injury.

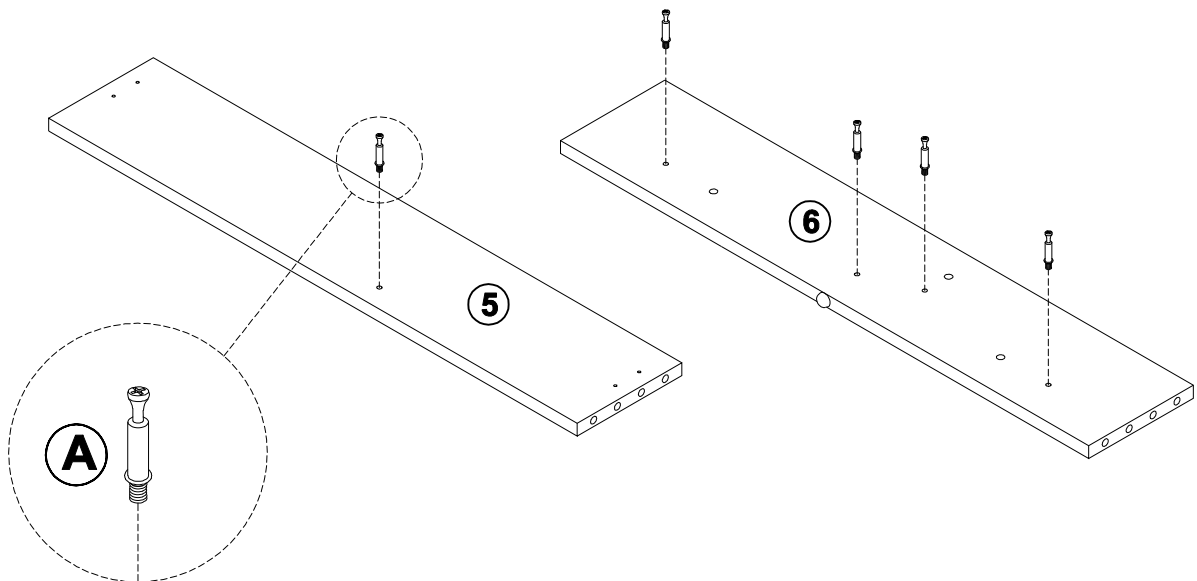
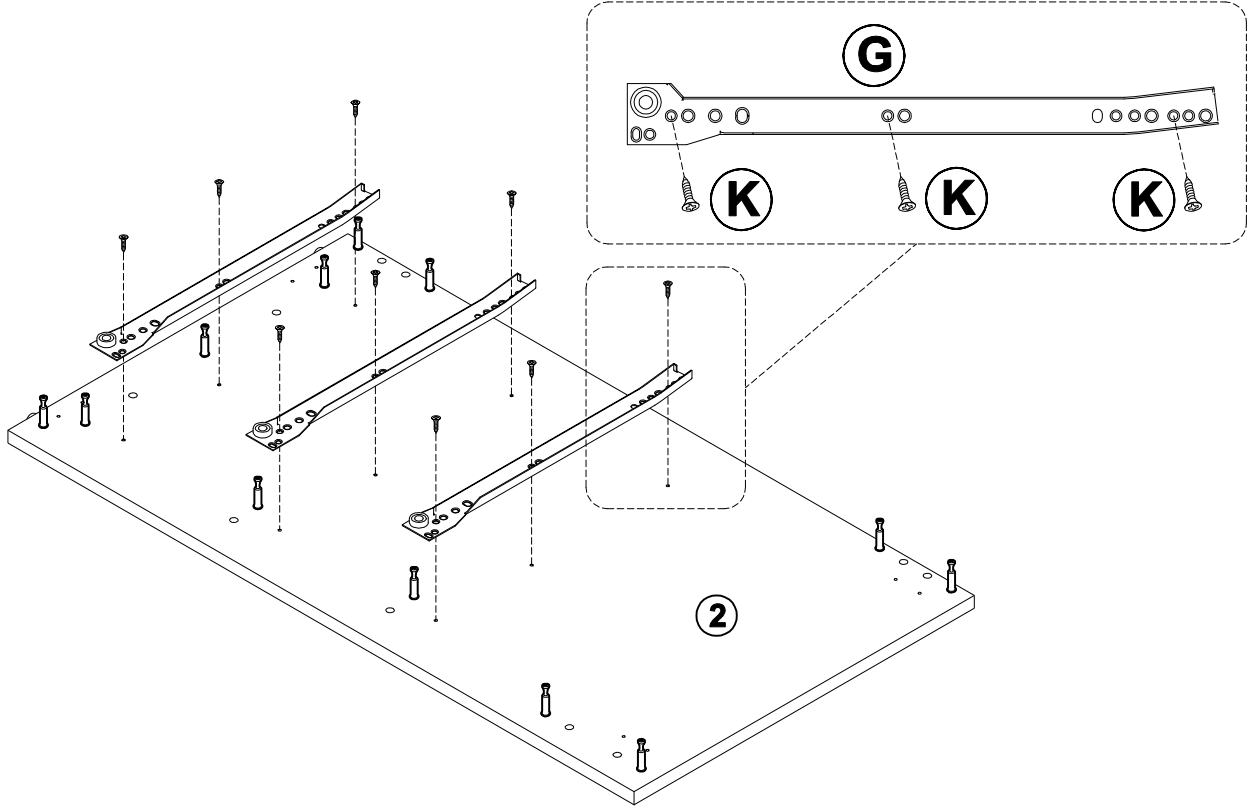
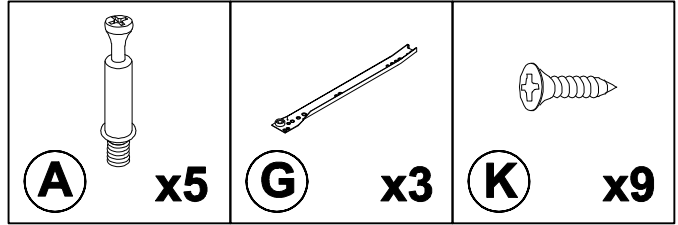
STEP 1



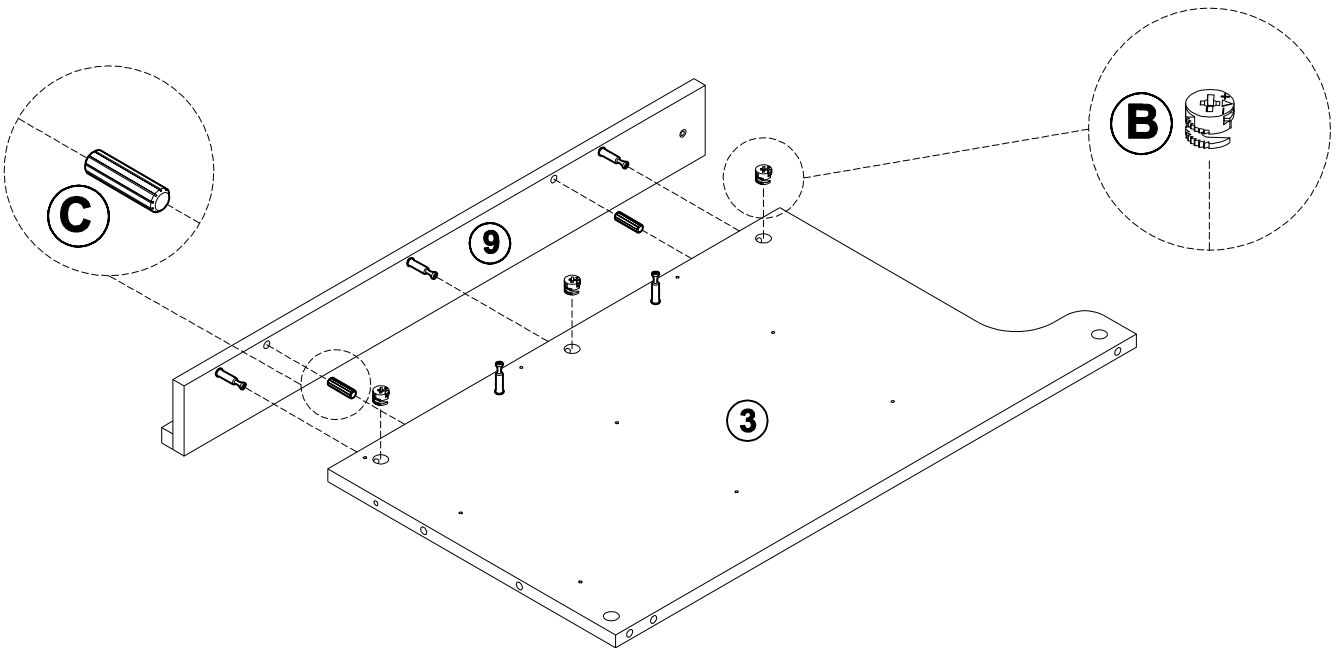
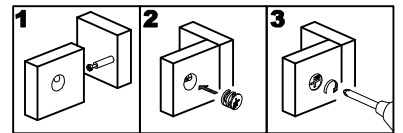
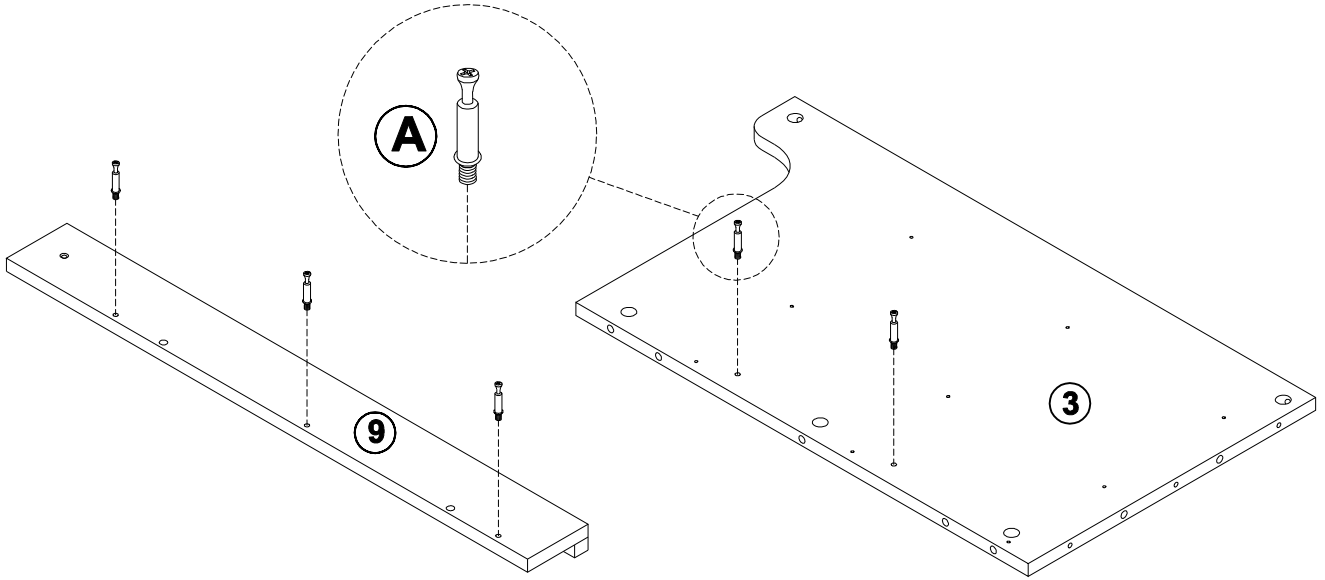
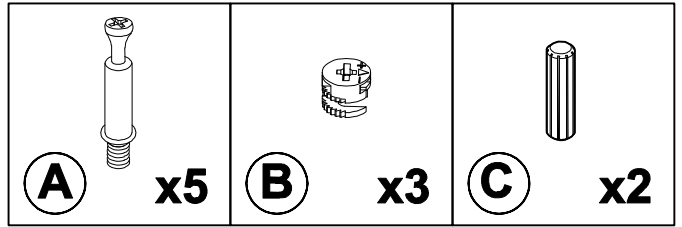
STEP 2



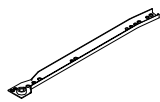
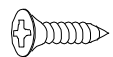
STEP 3

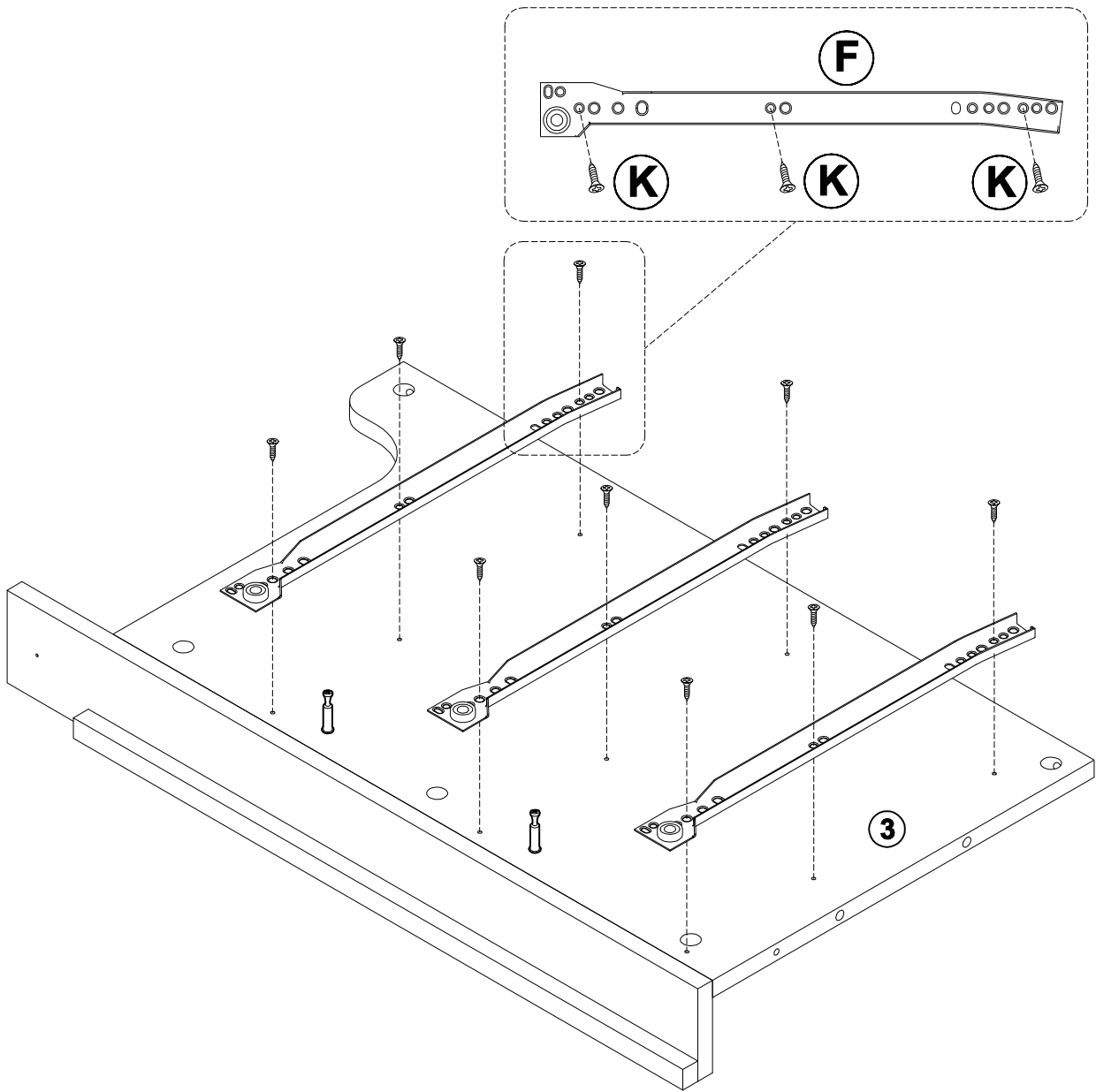


STEP 4


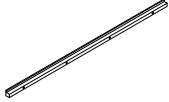
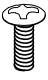



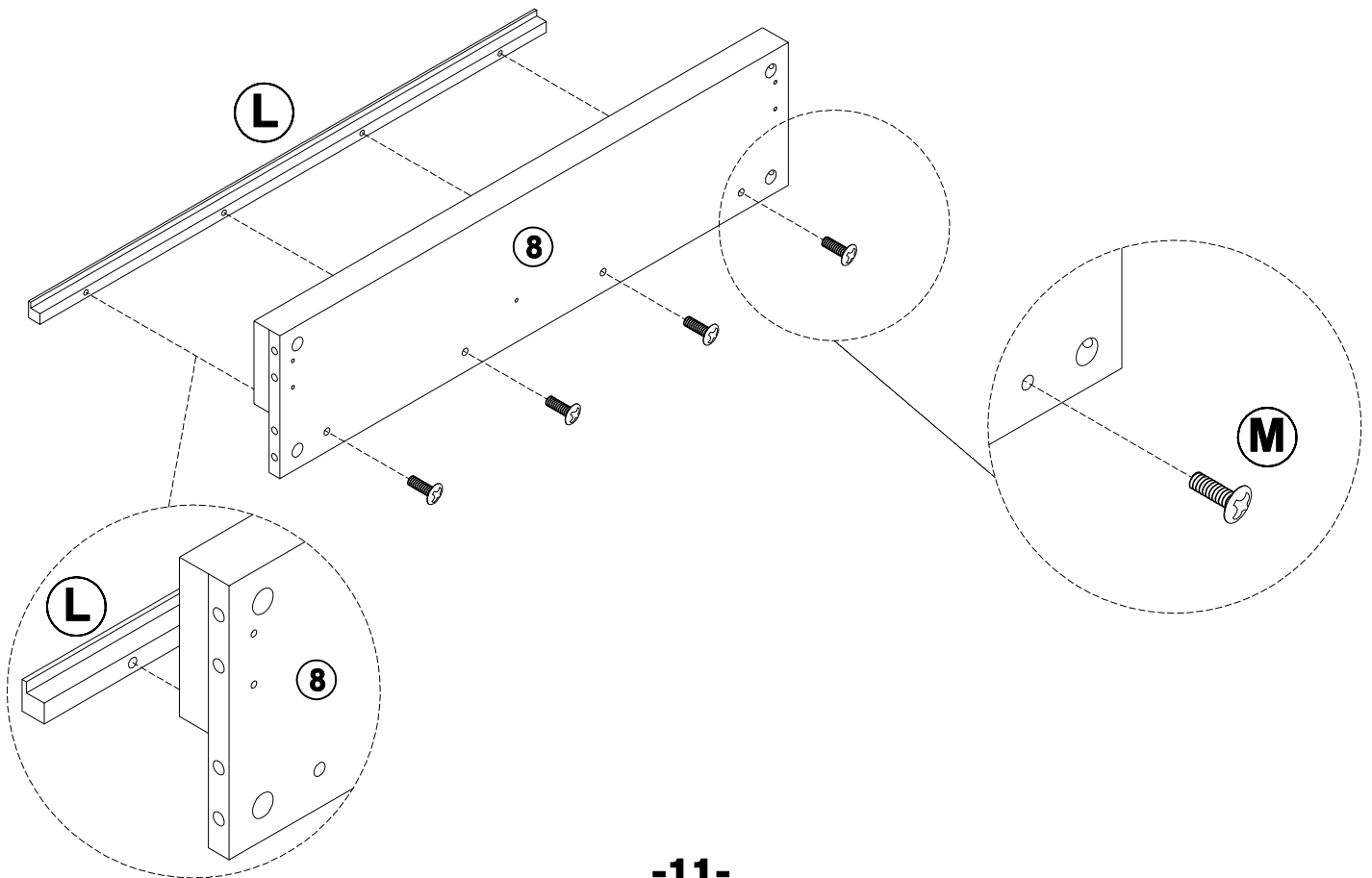
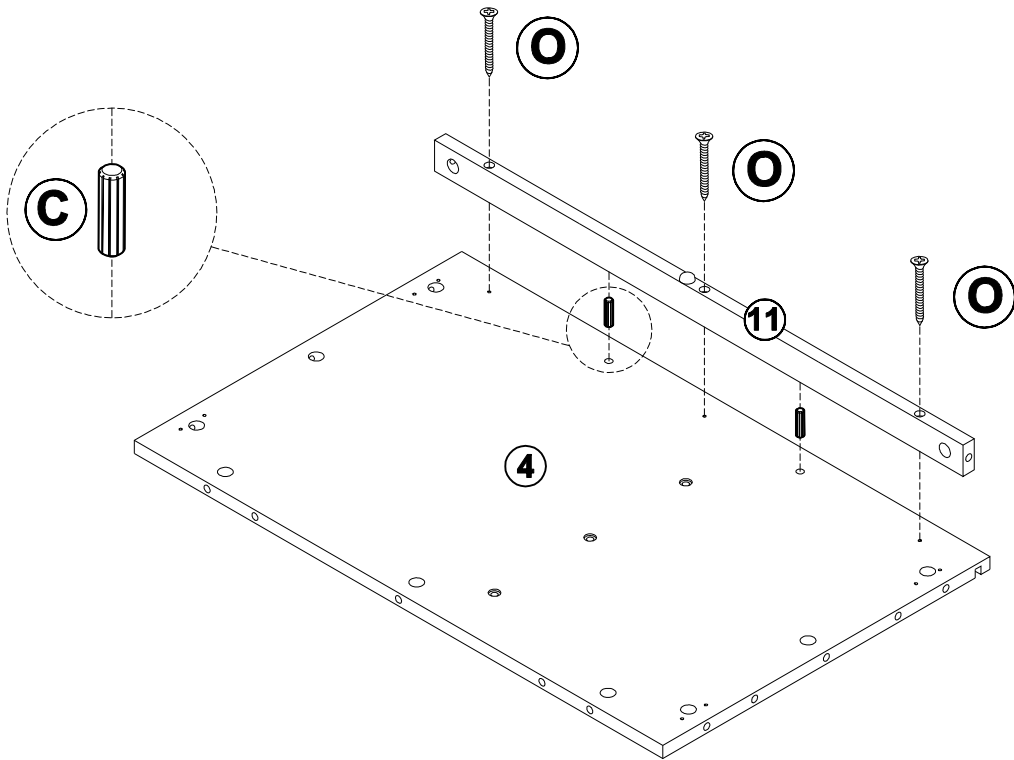
STEP 5

	
F	K
x3	x9






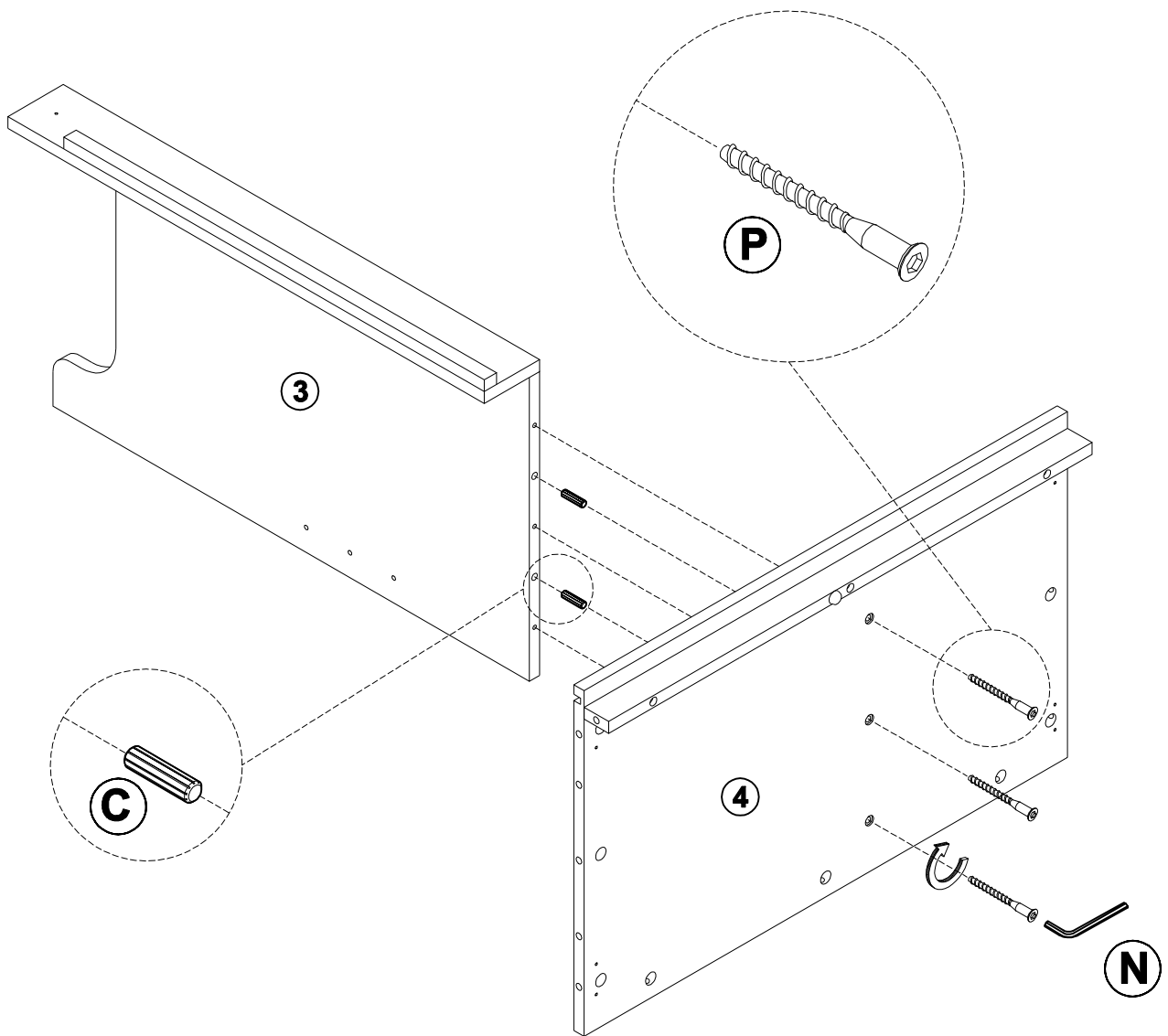
STEP 6

			
(C) x2	(L) x1	(M) x4	(O) x3

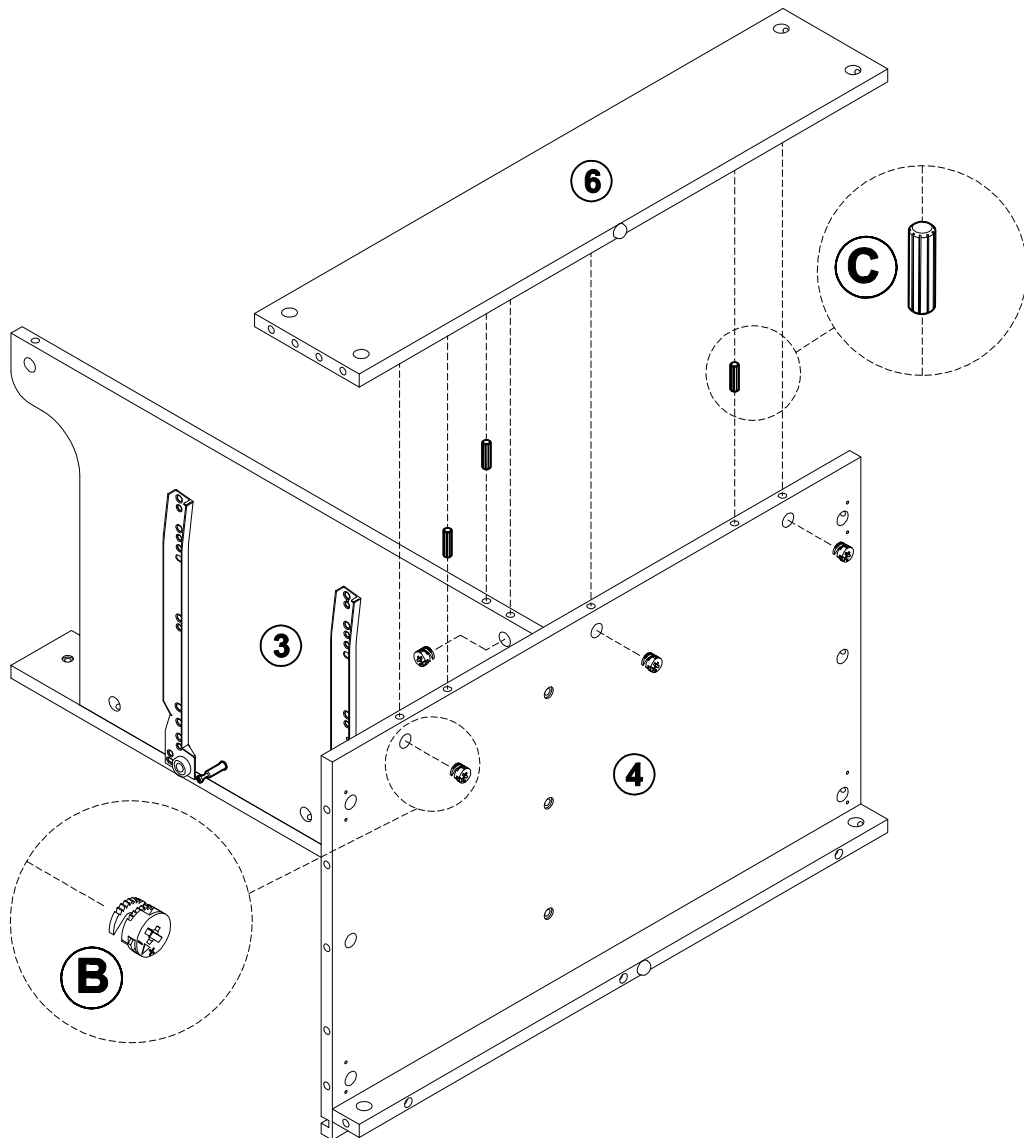
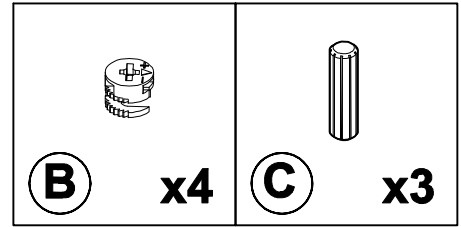
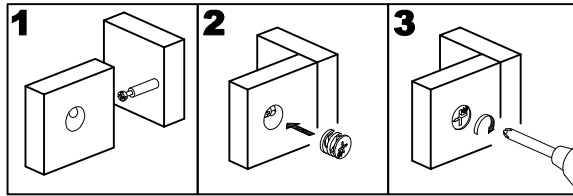


STEP 7

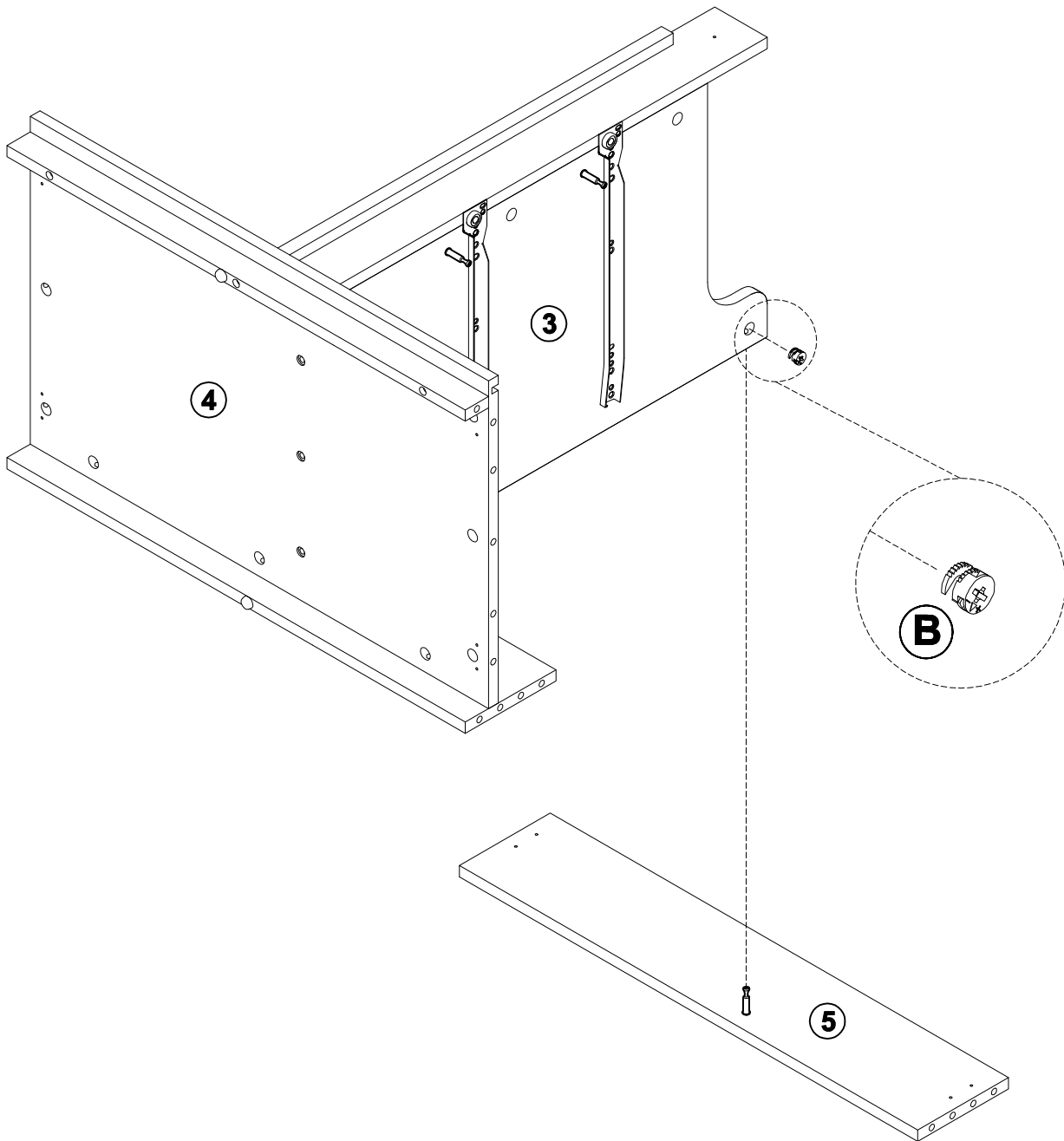
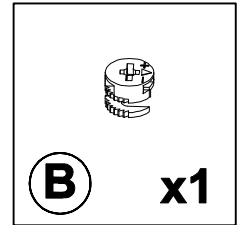
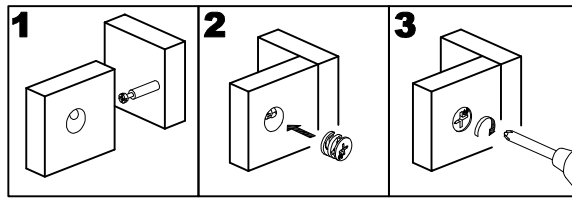
		
C	N	P
x2	x1	x3



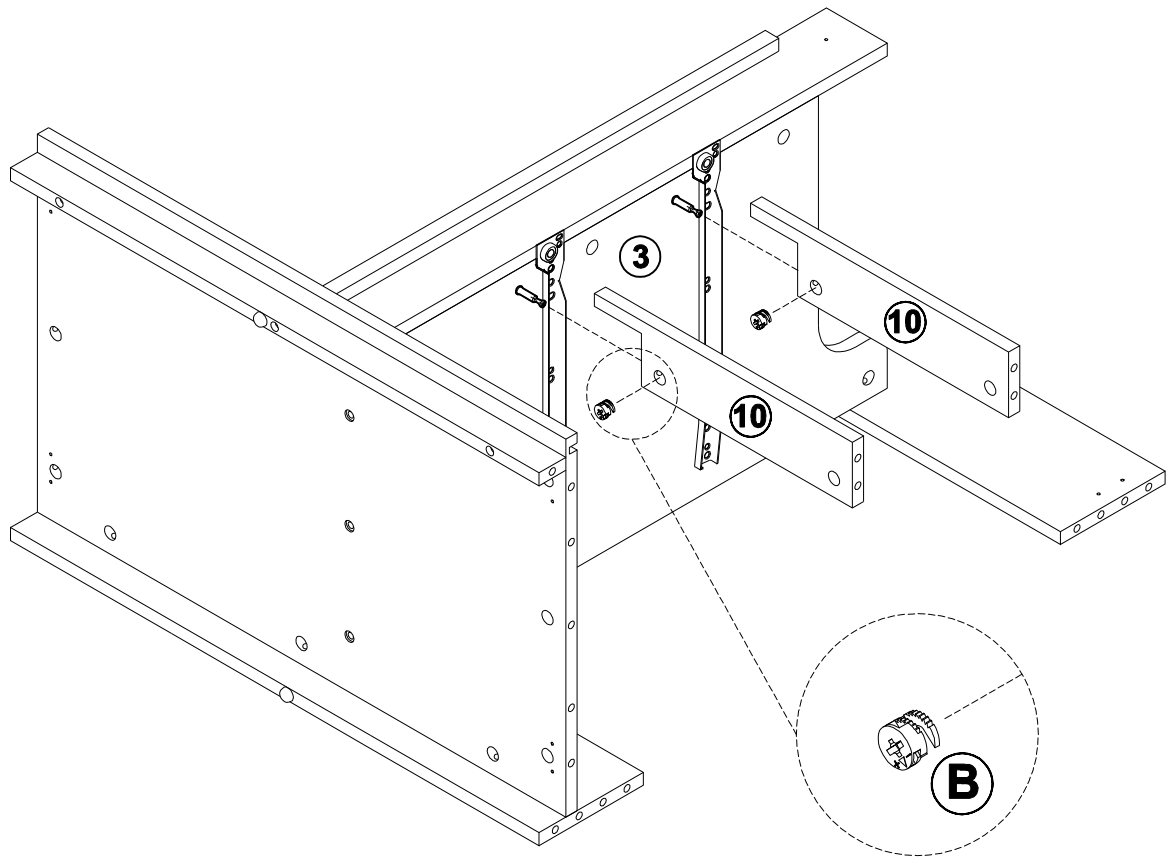
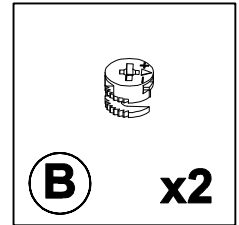
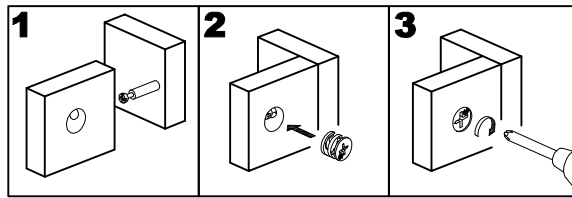
STEP 8



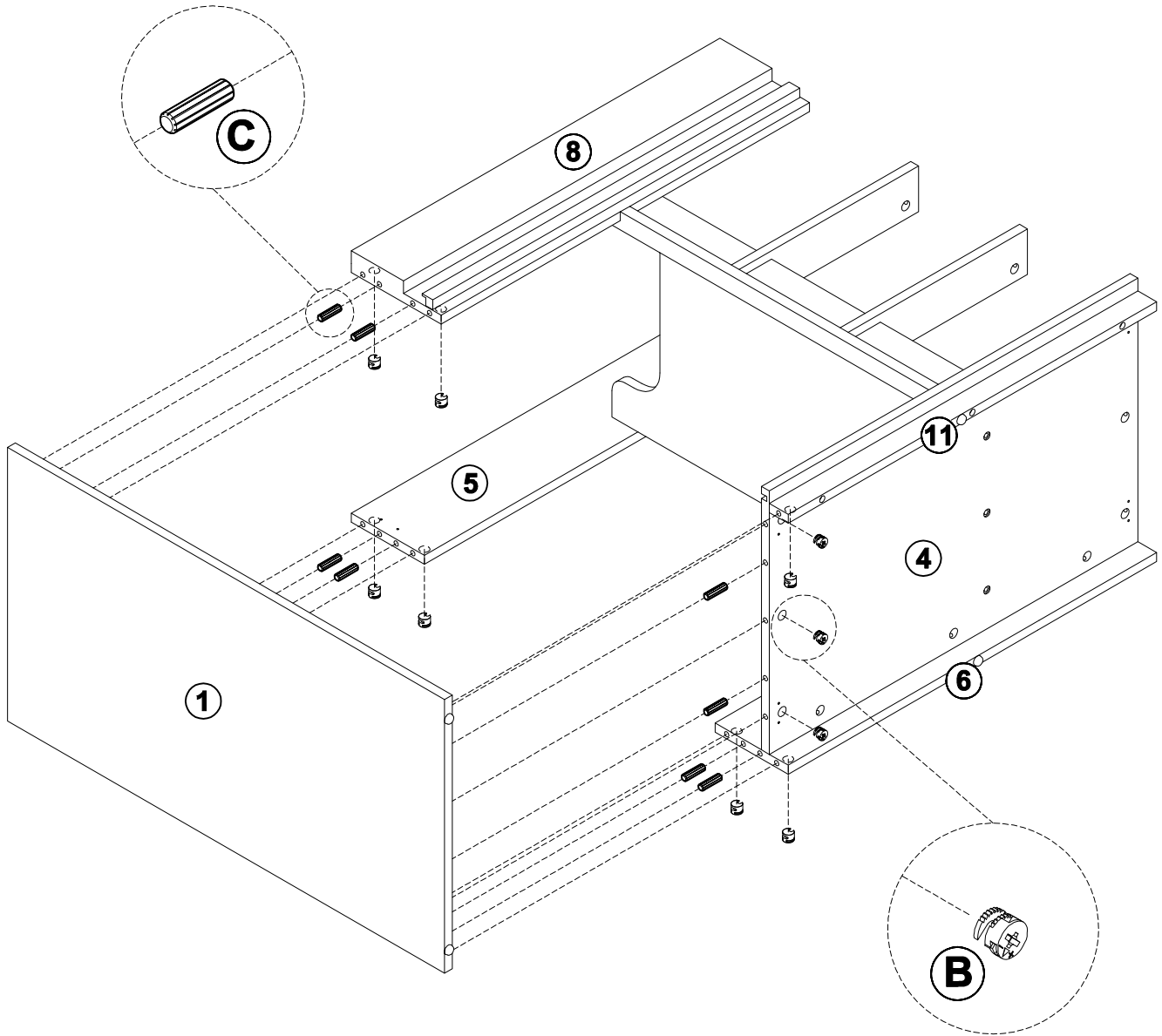
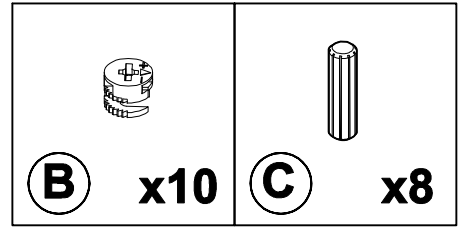
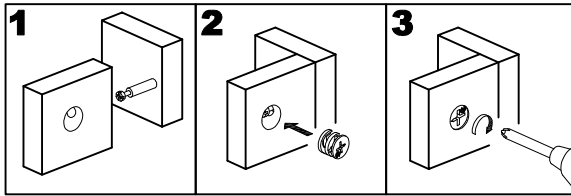
STEP 9



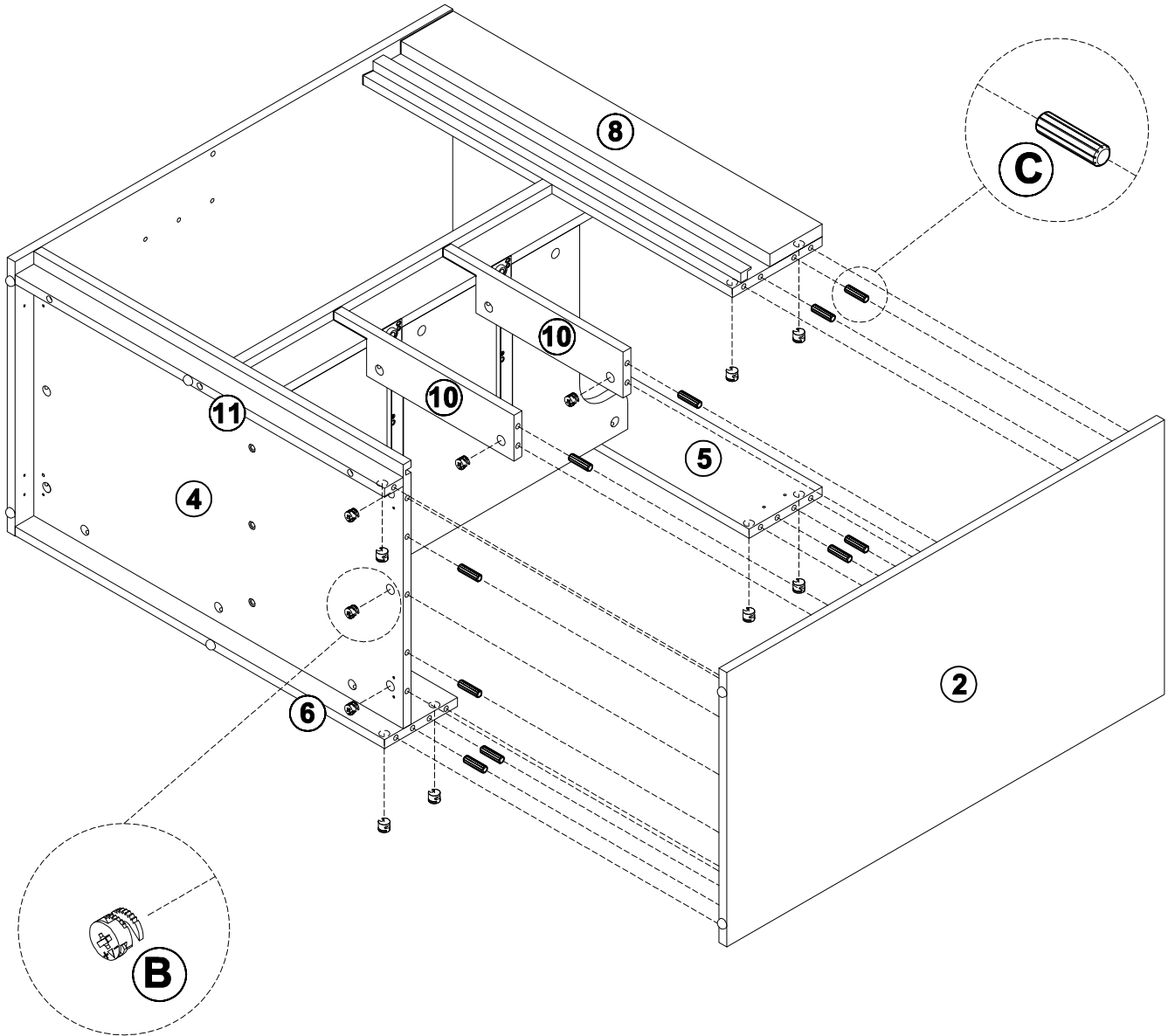
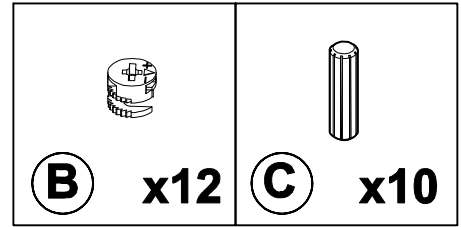
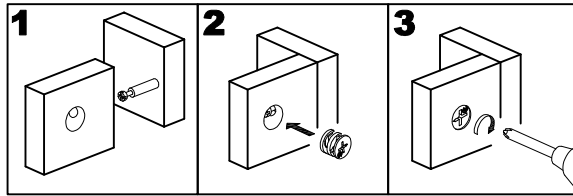
STEP 10



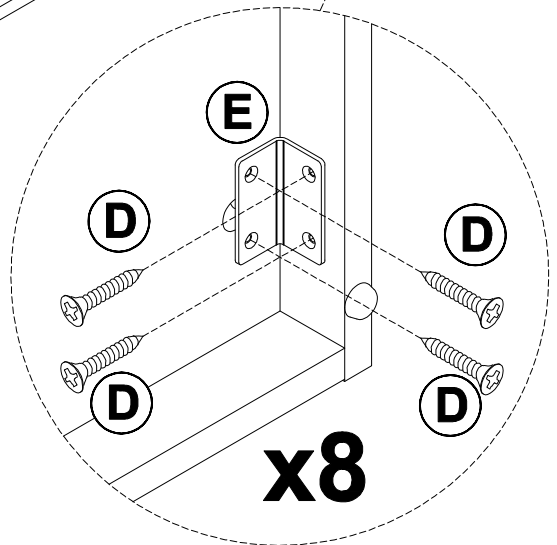
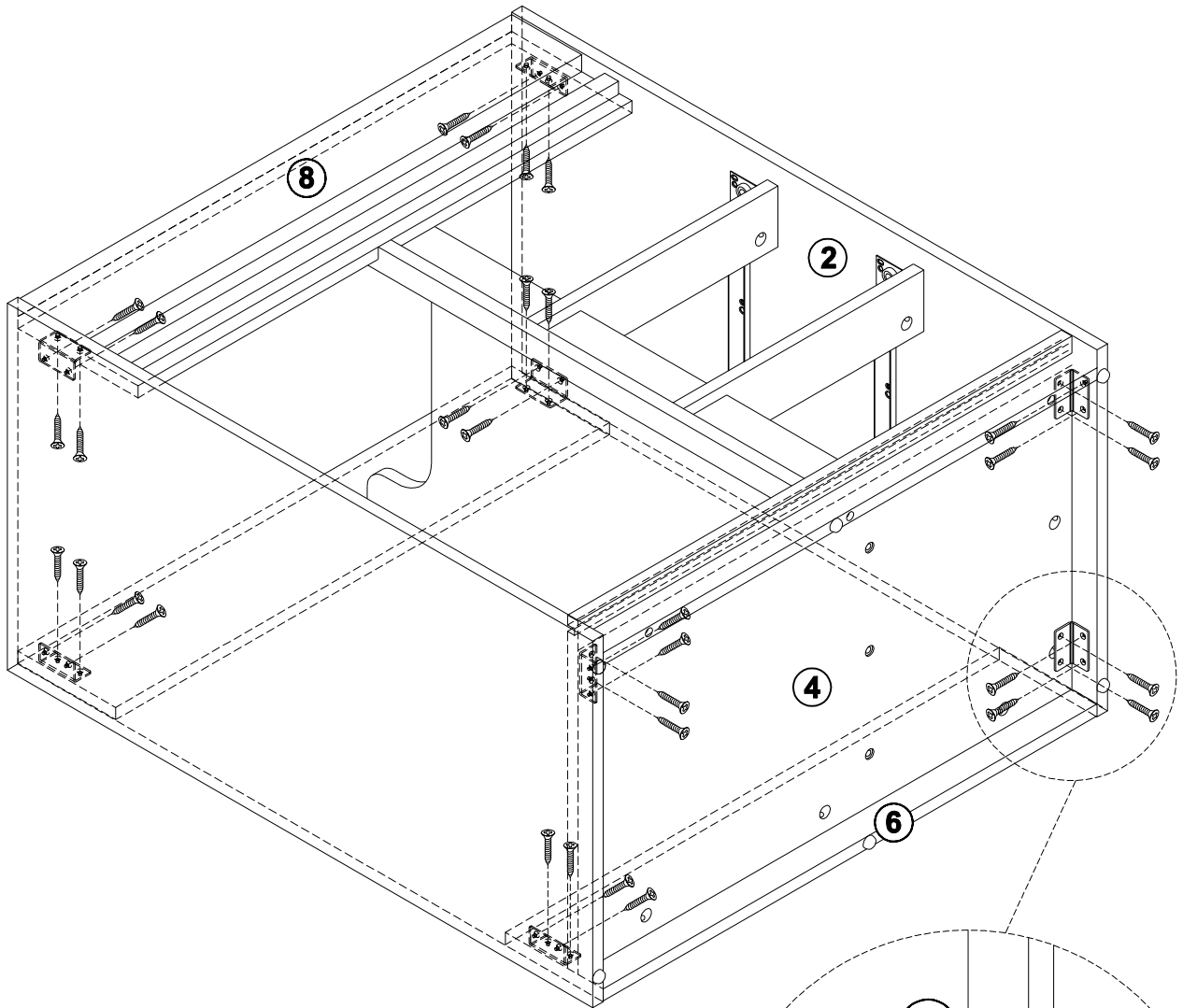
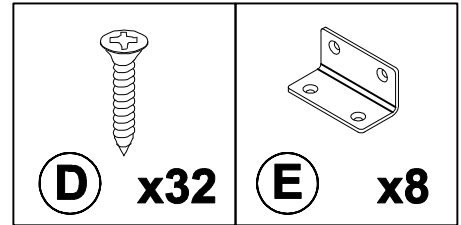
STEP 11



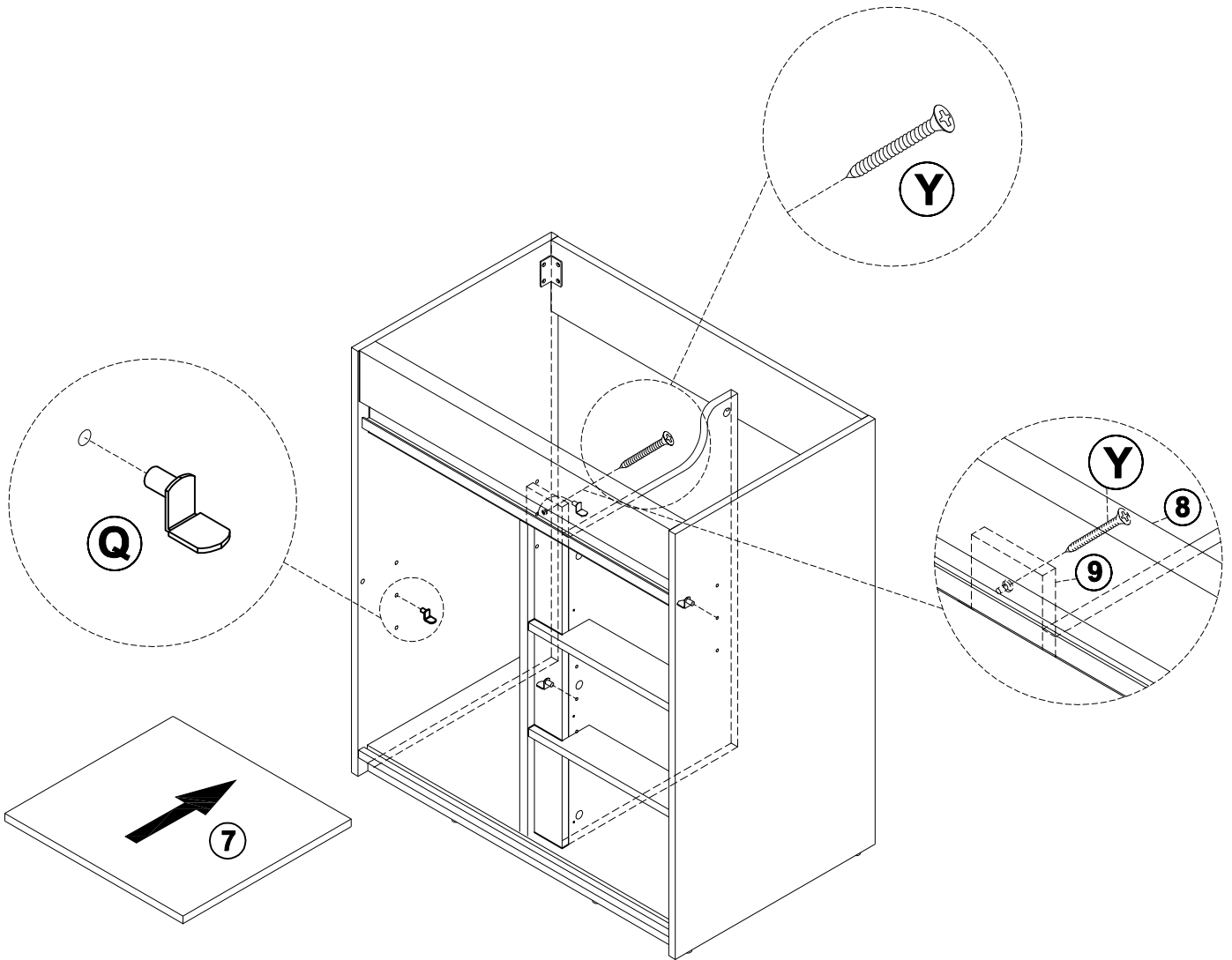
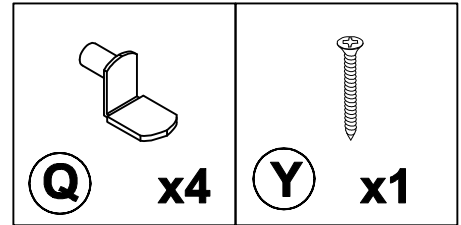
STEP 12



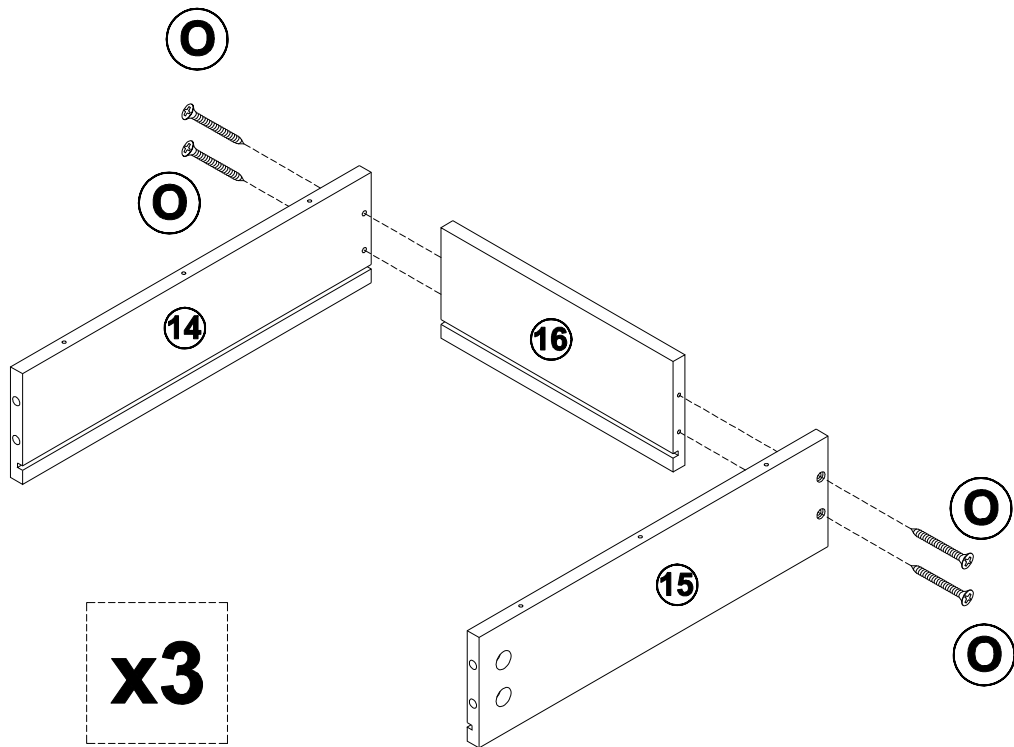
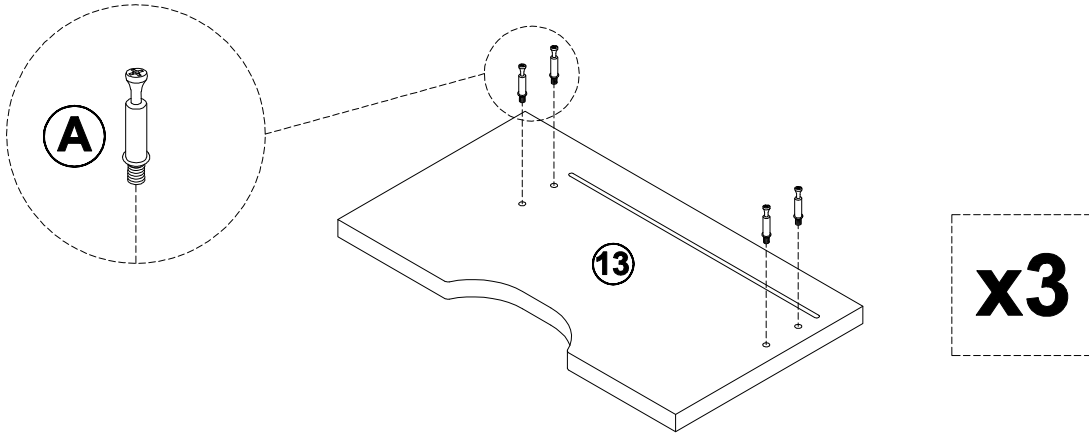
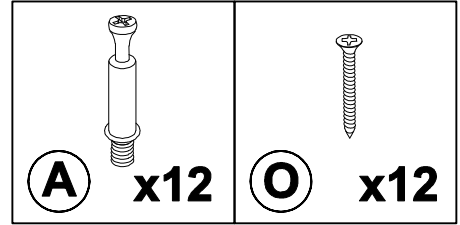
STEP 13



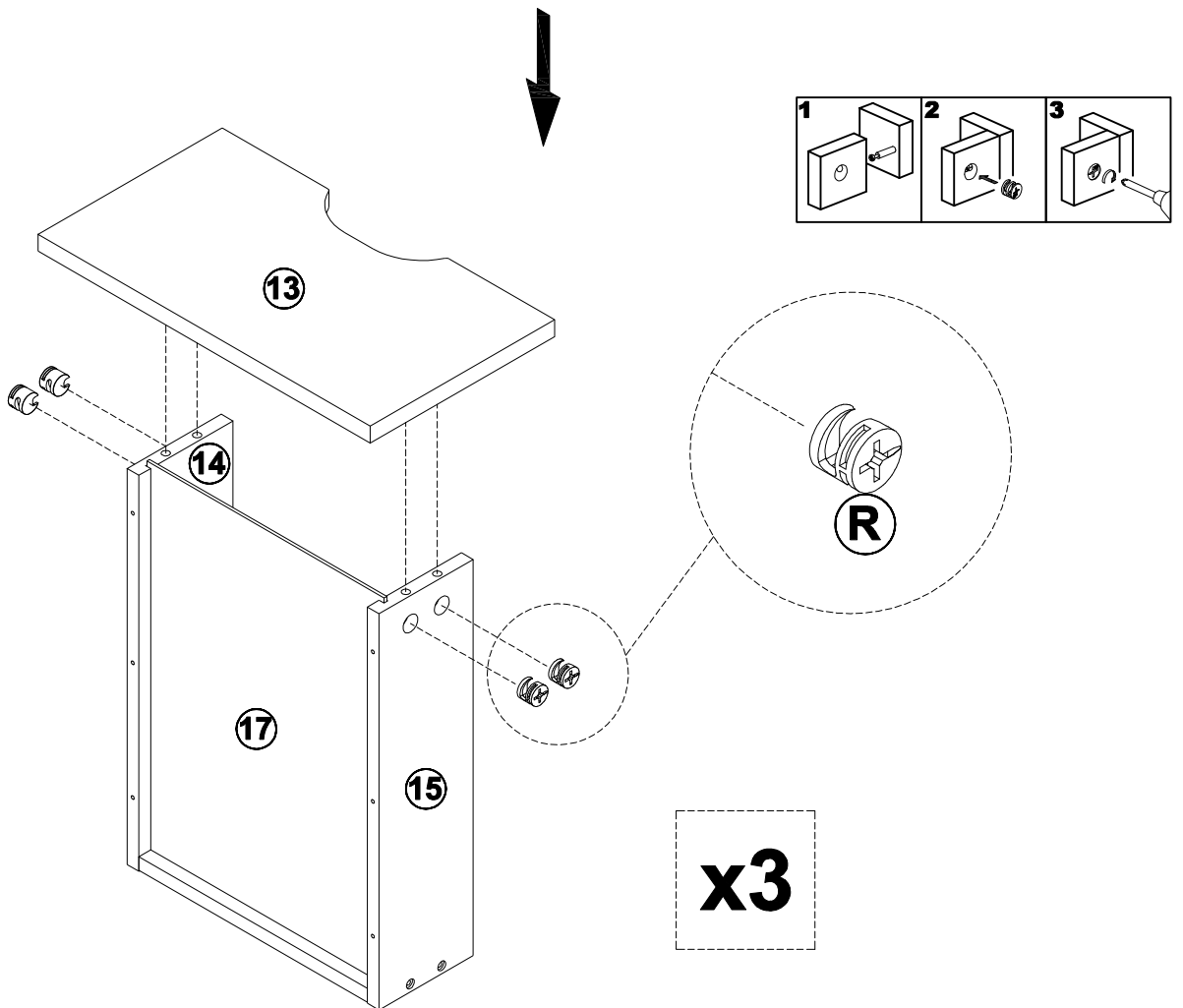
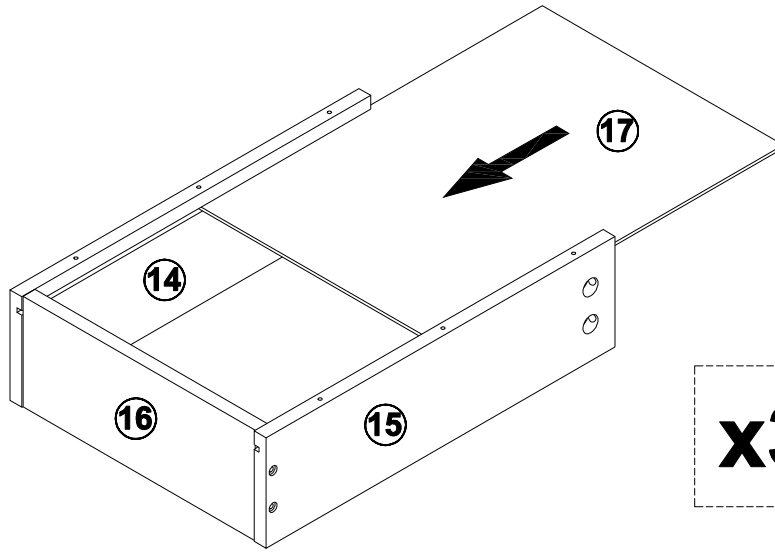
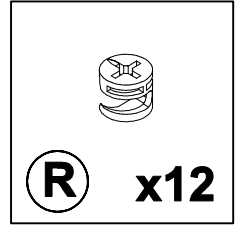
STEP 14



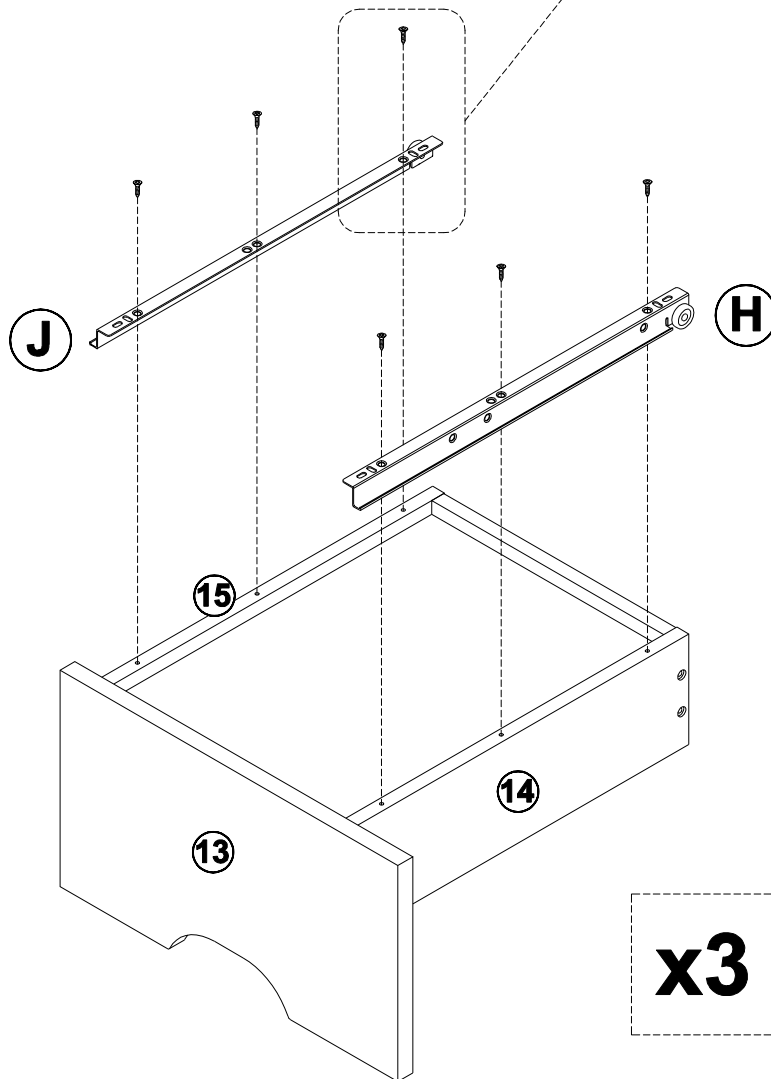
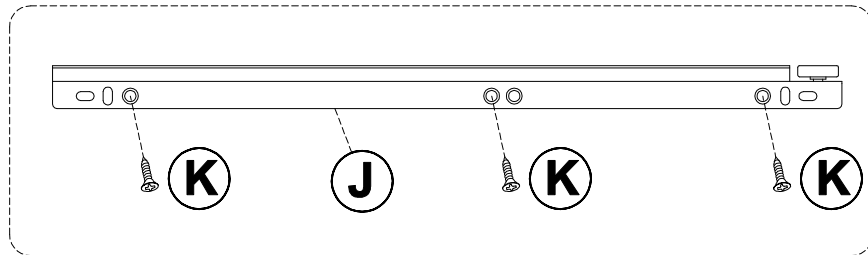
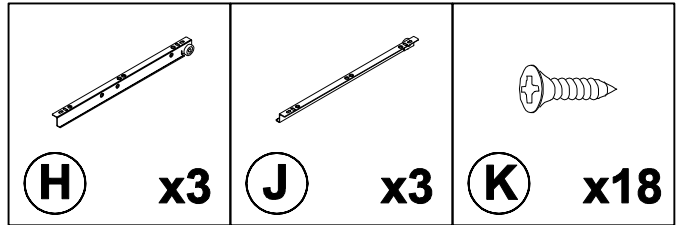
STEP 15



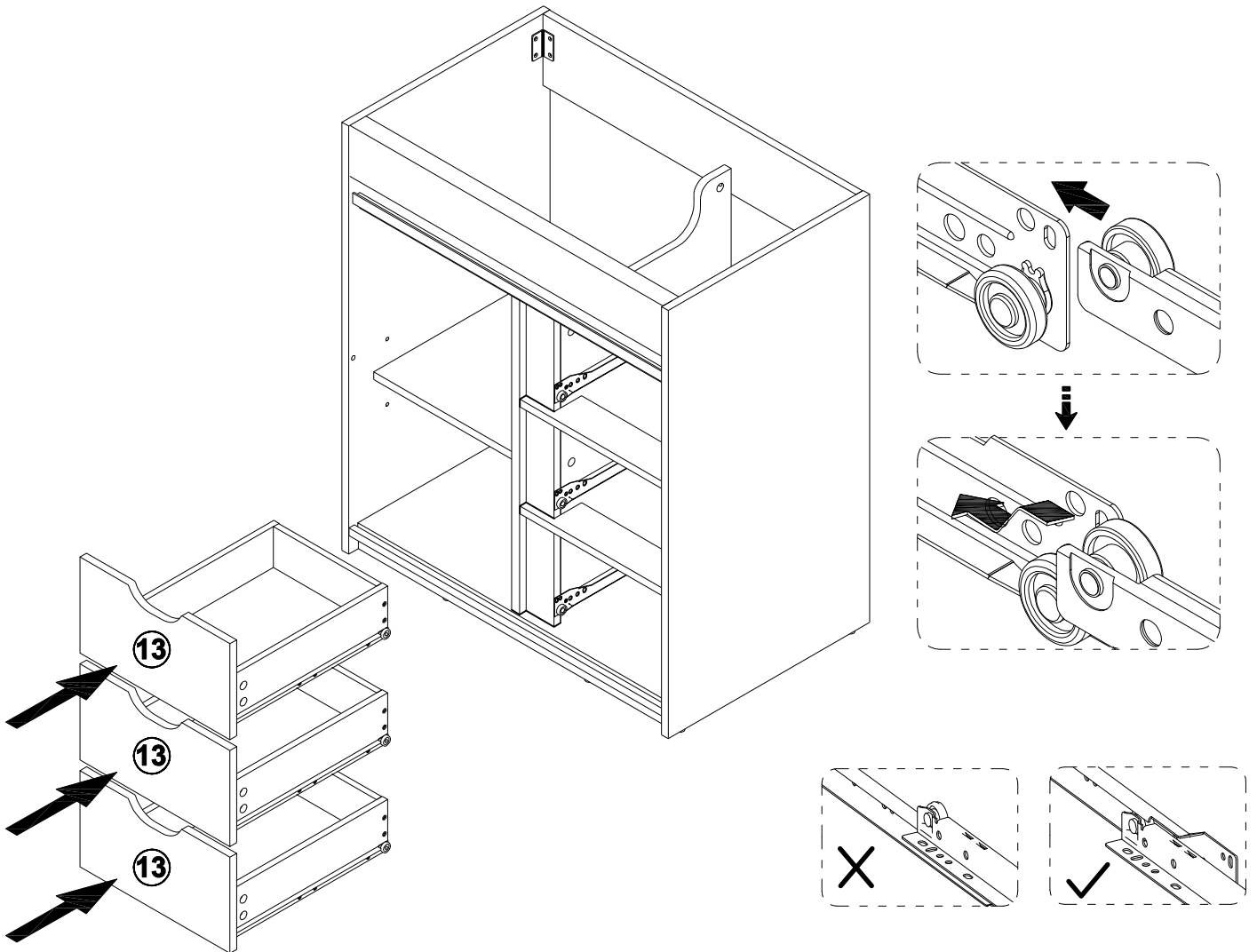
STEP 16



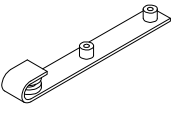
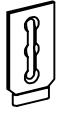

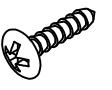
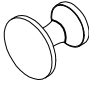


STEP 17

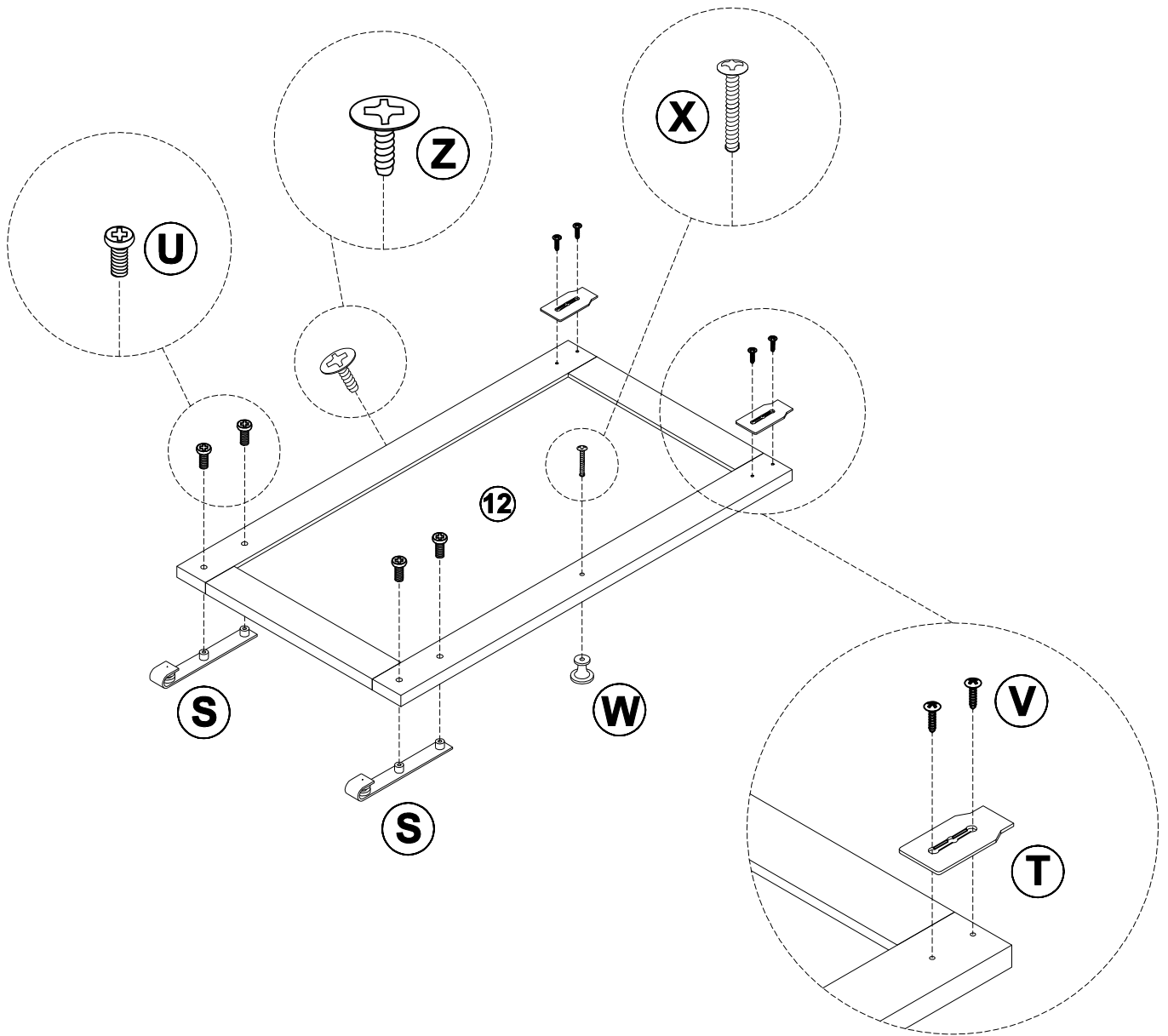


STEP 18

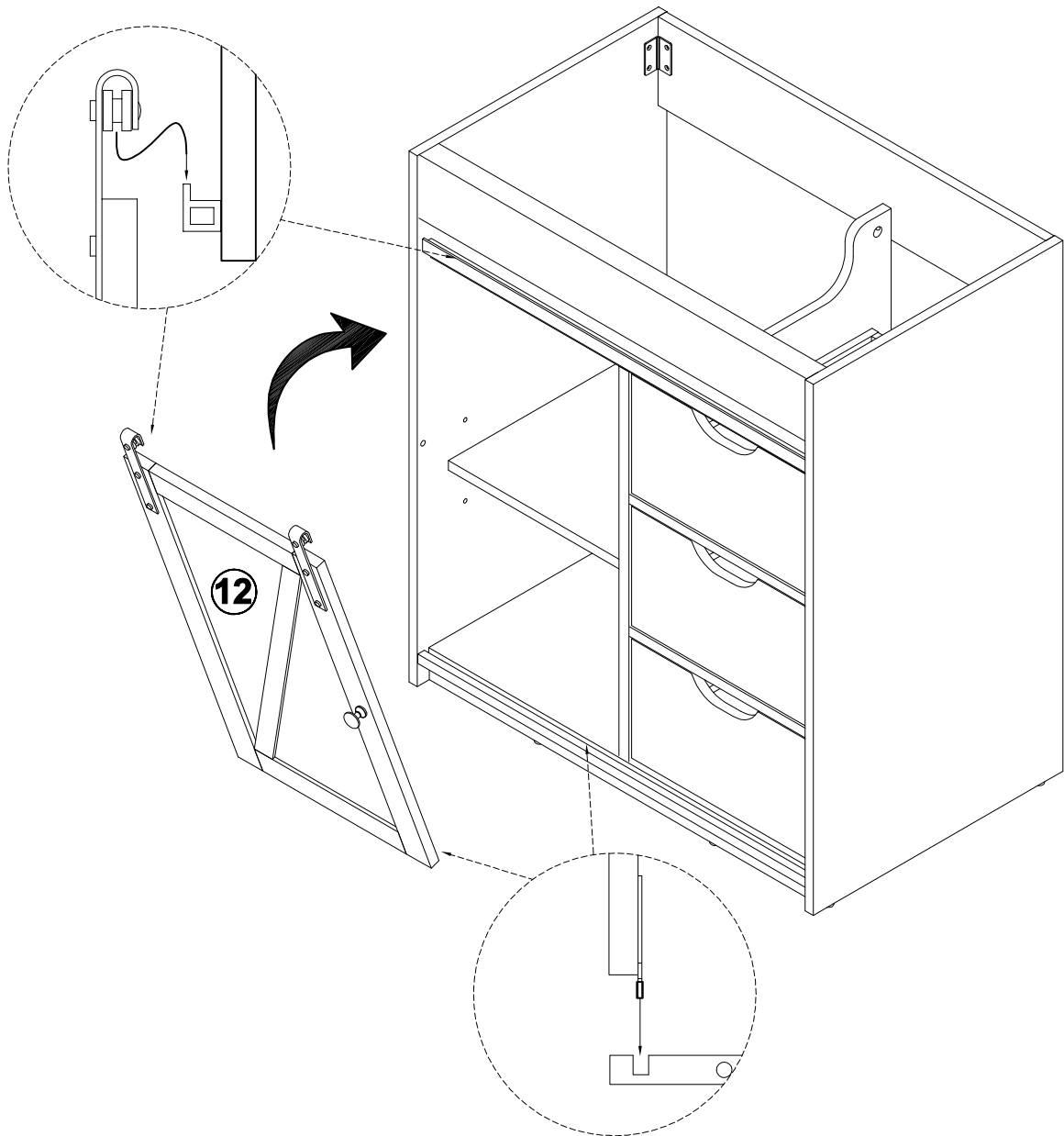


STEP 19

 S x2	 T x2	 U x4	 V x4
 W x1	 X x1	 Z x1	



STEP 20



STEP 21

Tear the 3M adhesive paper during installation.
The cabinet should be sealed with glass glue and basin.

