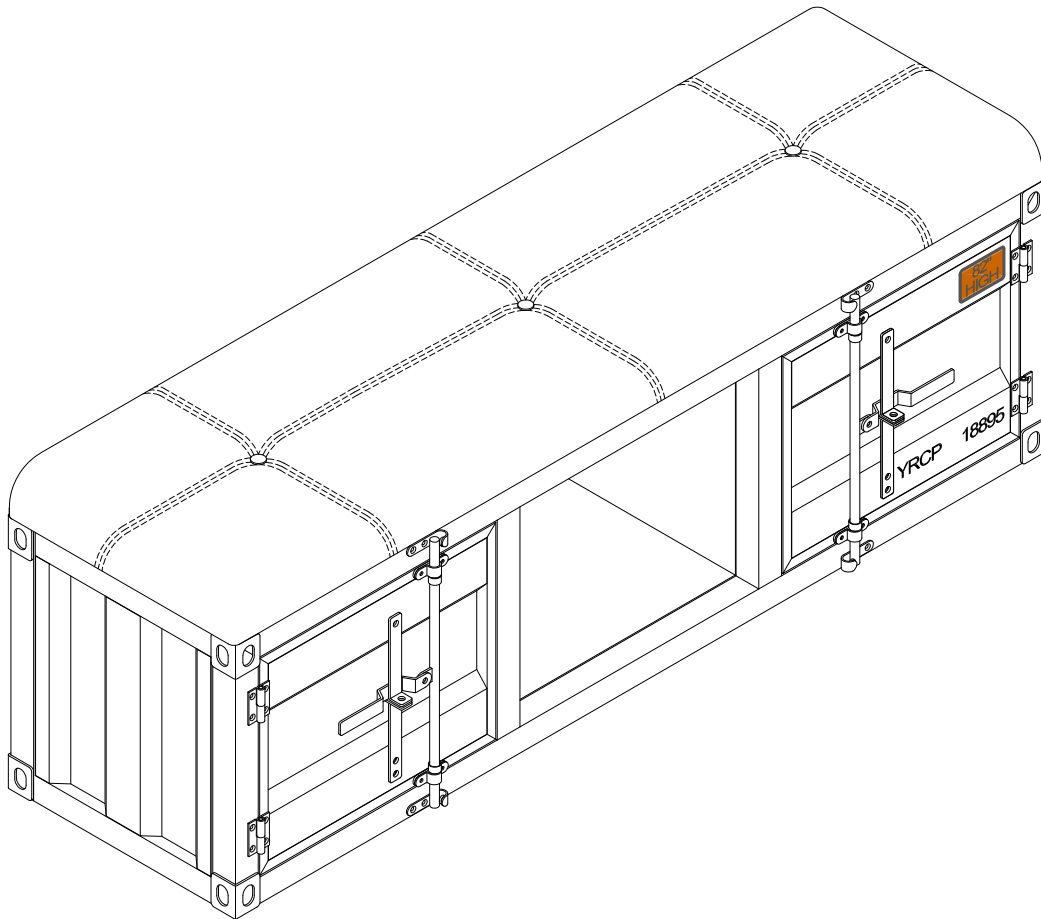


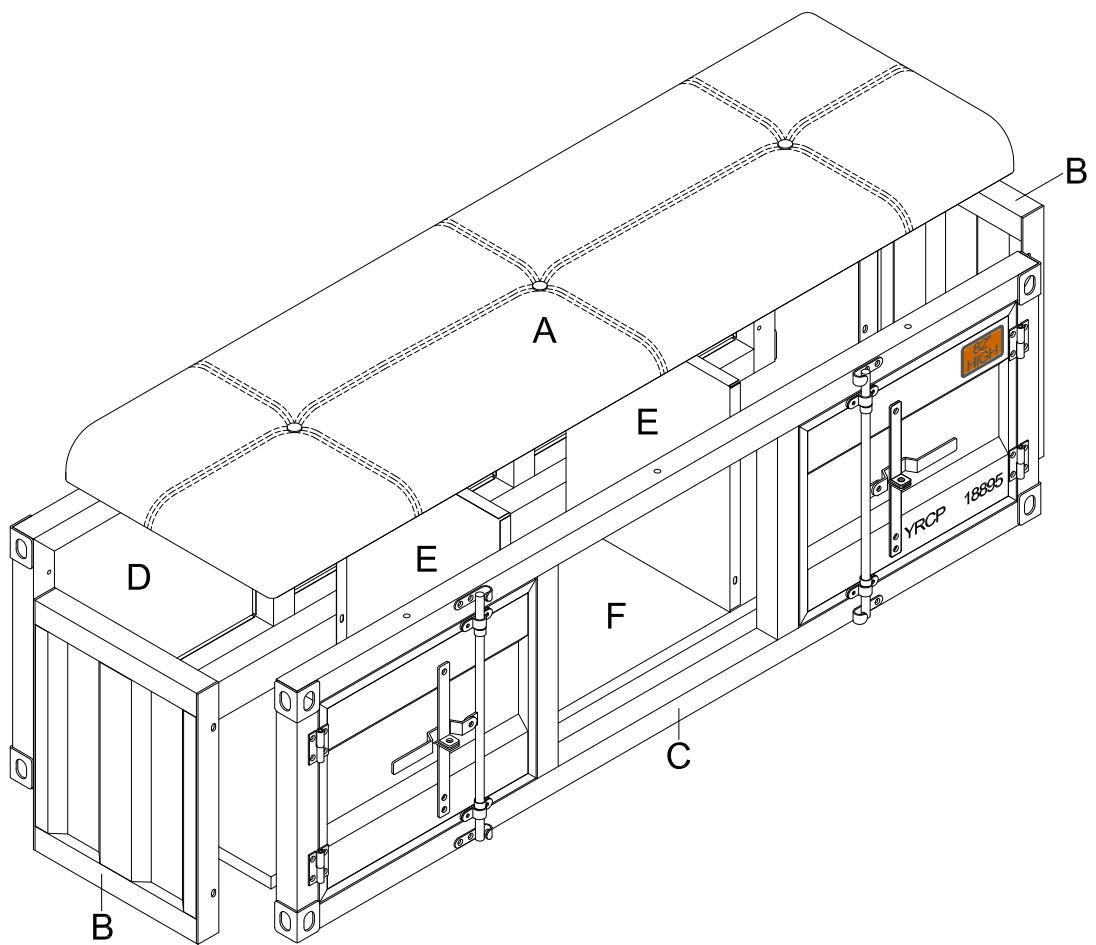
ASSEMBLY INSTRUCTIONS

MODLE : BM204627

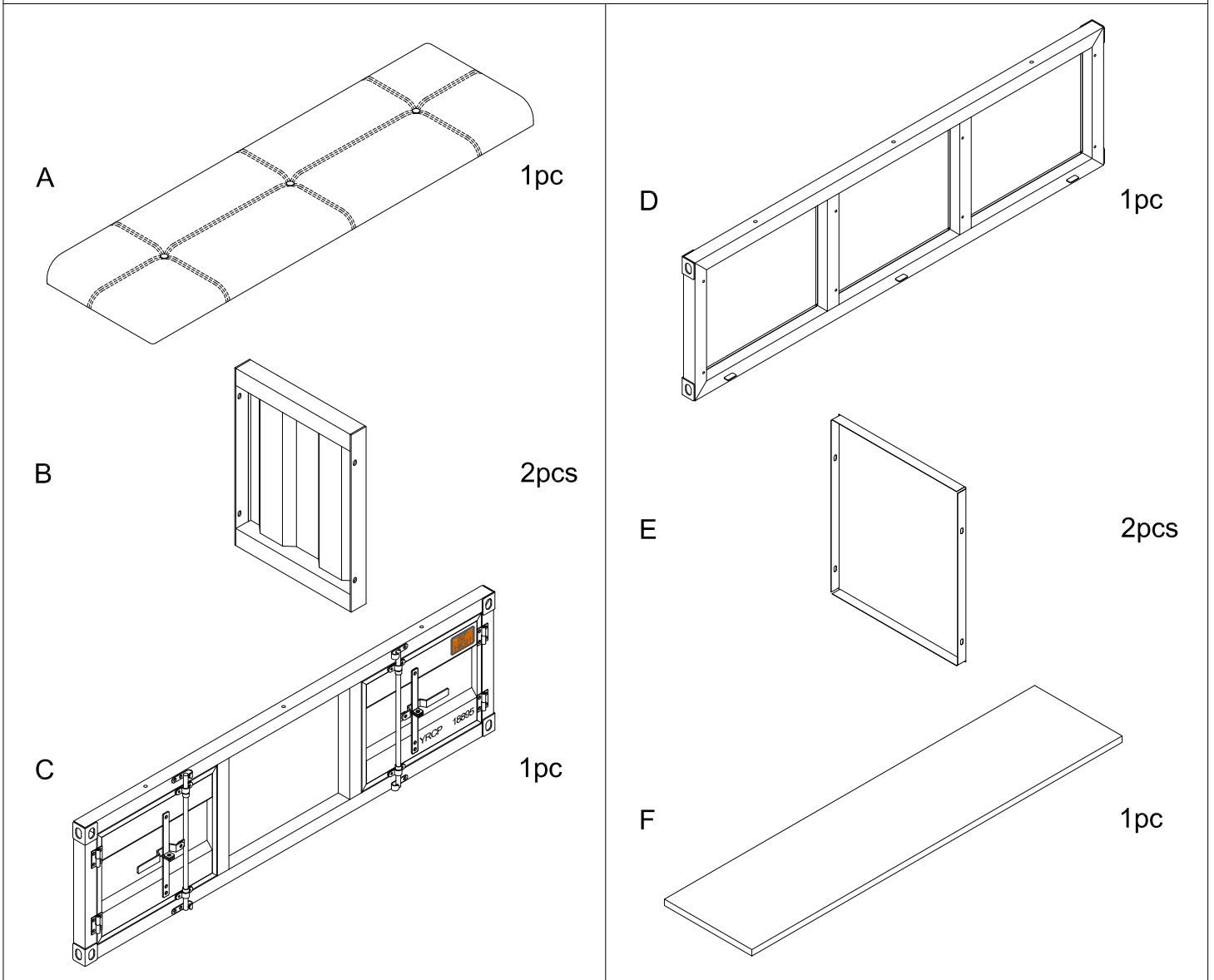


Do not tighten screws until completely assembled.

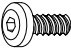
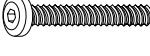
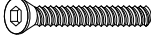


PARTS IDENTIFICATION

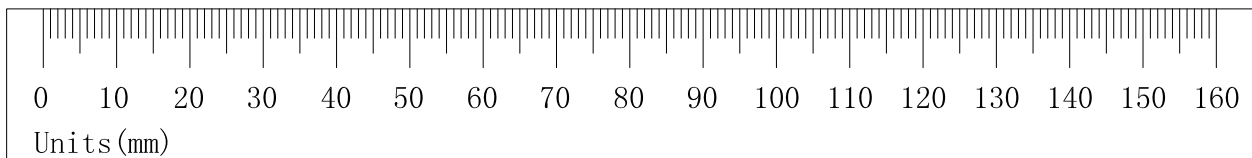


PARTS IDENTIFICATION

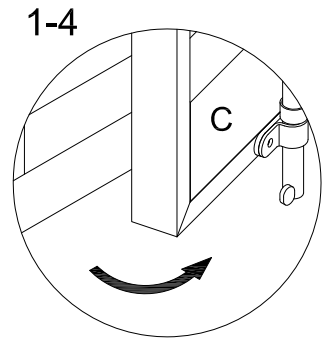
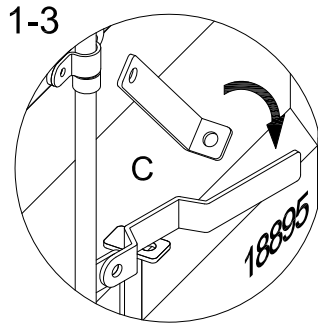
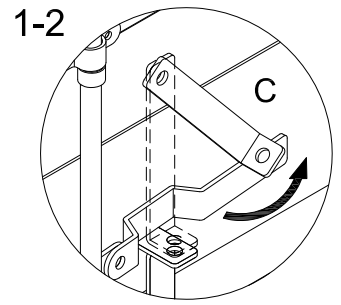
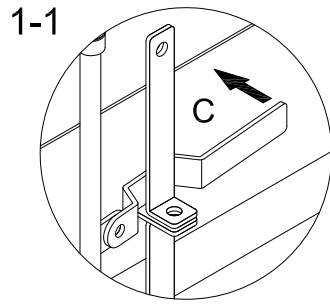
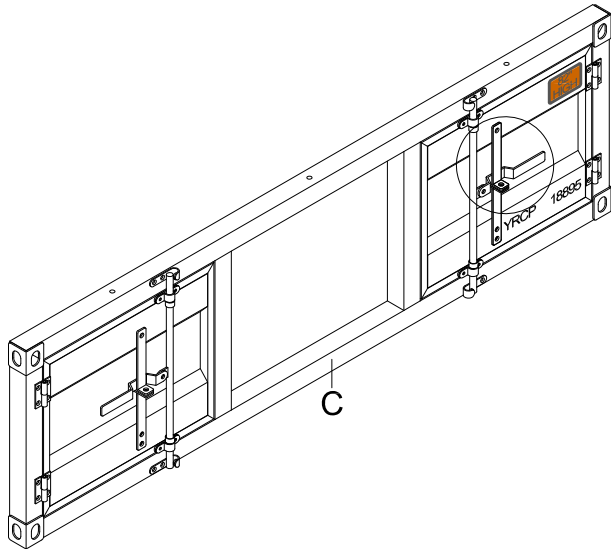


HARDWARE LIST

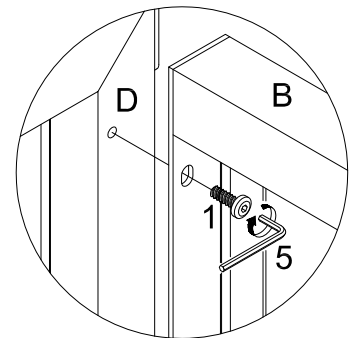
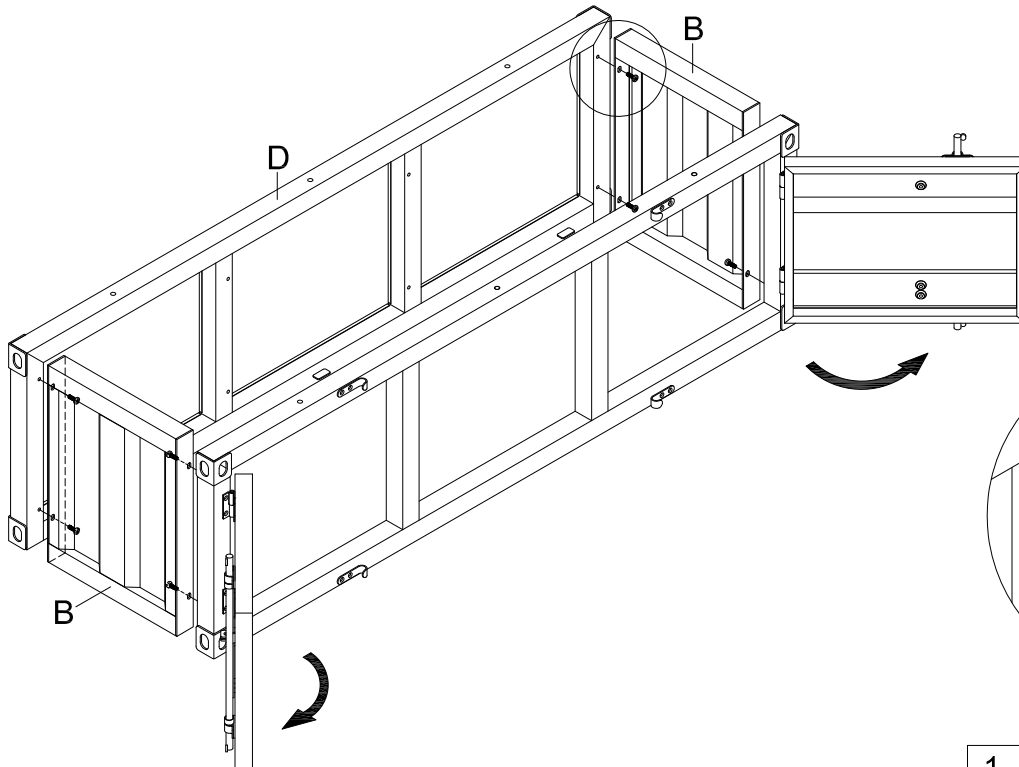
1		8pcs	2		4pcs	3		2pcs
4		8pcs	5		1pc			



STEP 1.

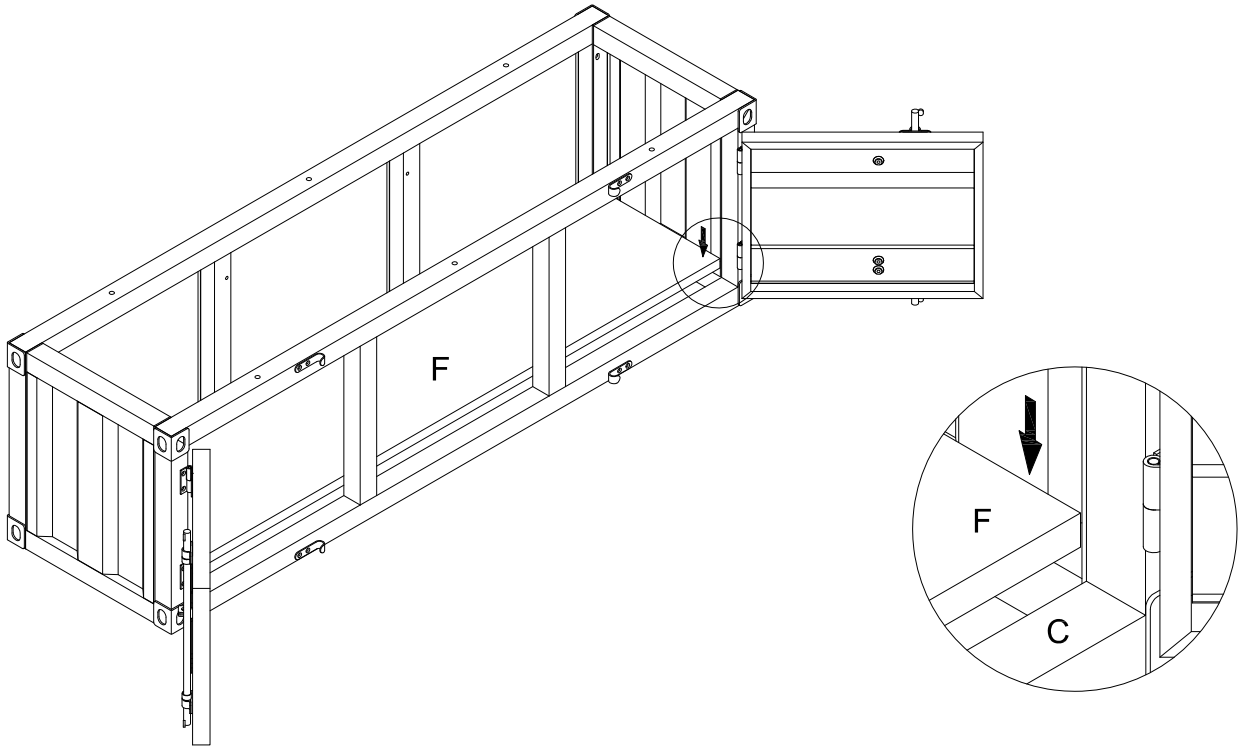


STEP 2.

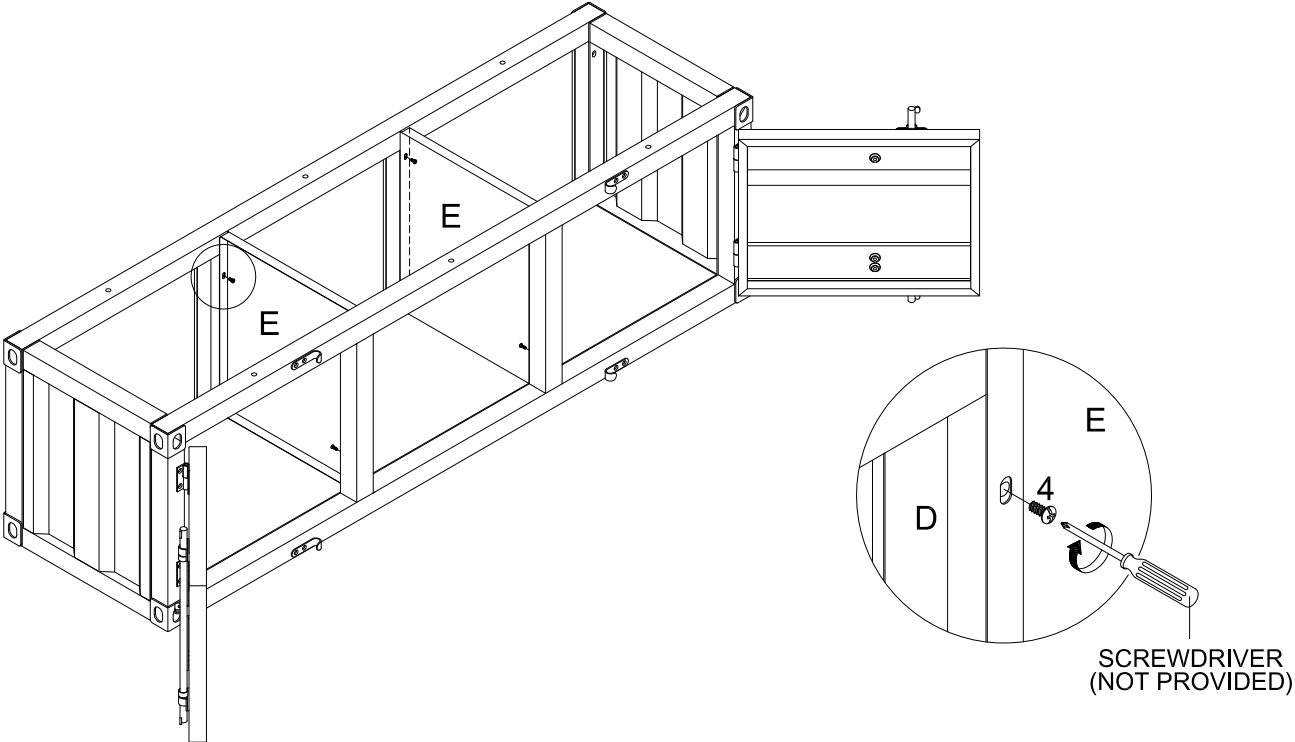


1		8pcs
M6x15		

STEP 3.

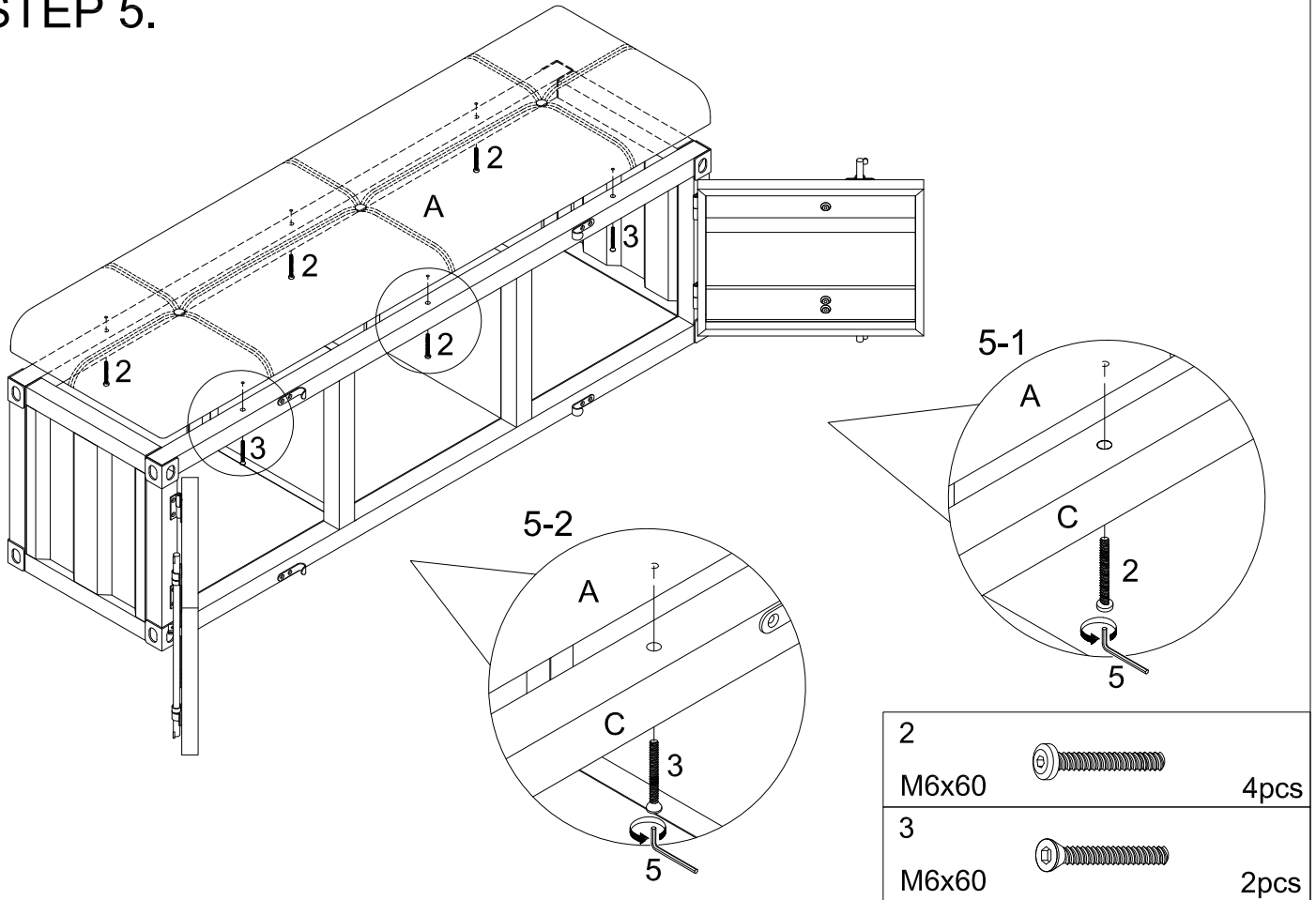


STEP 4.



4		8pcs
M5x10		

STEP 5.



STEP 6.

