

HAPPINESS
HAPPINESS
INSTALLATION

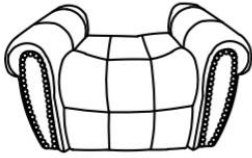
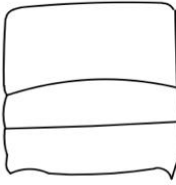



Assembly Instructions

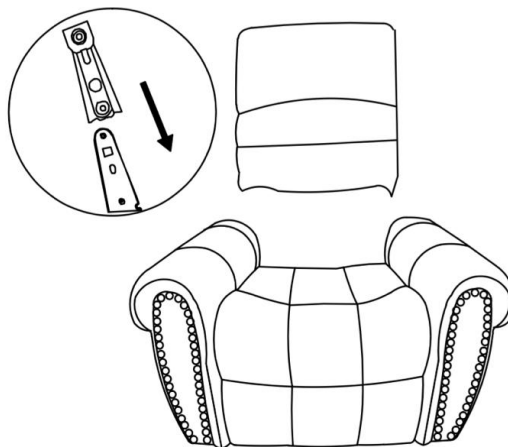
Your recliner comes packaged in **one boxes**, Carefully remove all of components from the packaging and set aside for assembly.

CAUTION:
DO NOT use any sharp objects to open plastic wrapped components as damage to product or components may result.

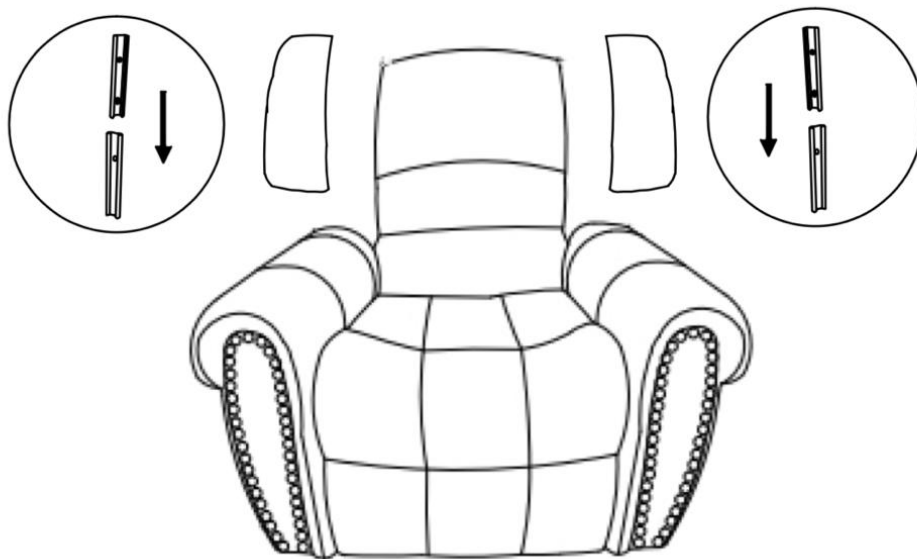
Package Contents

					
Chair Seat A	1	Chair Back B	1	Studded Border C	2

Step 1 Attach **Chair Back (B)** to **Chair Seat (A)** by aligning the metal grooves on backrest to brackets on the main frame as shown. Ensure the **Chair Back (B)** slides down fully over the brackets on the **Chair Seat (A)**.



Step 2 Attach **Studded Border (C)** to **Chair Back (B)** by aligning the metal grooves on backrest to brackets on the main frame as shown. Ensure the **Studded Border (C)** slides down fully over the brackets on the **Chair Back (B)**.



Warnings

1. Please check if the components of the chair are all included and can be used normally.
2. Please DO NOT sit on the armrests and footrest to eliminate the risk of tipping over.
3. Never sit on the footrest when it is open, even a child.
4. If the recliner is damaged or doesn't match the website product, please send clear pictures of the product and label of the carton to our service team, and we'll help you to solve the problem.
5. If the chair still doesn't work, please feed the information back to the customer service in time. We will help solve the problem for you as soon as possible.
6. If you have any questions with the product, please contact us by:
Email: customerservice@zoy-living.com (we will reply to you within 24 hours)

