

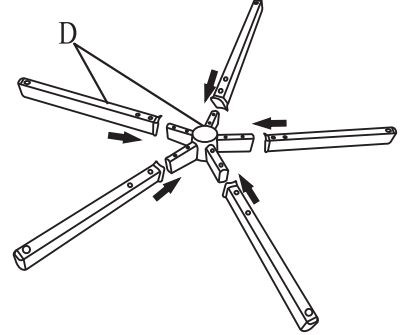
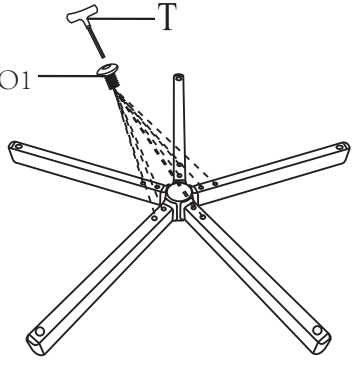
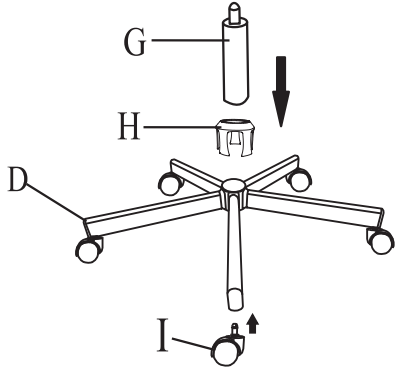
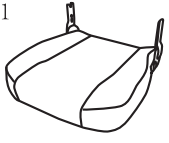

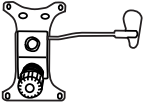

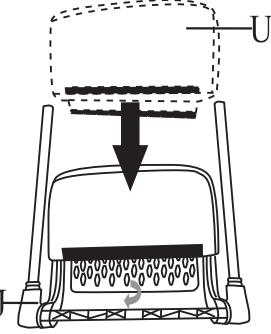
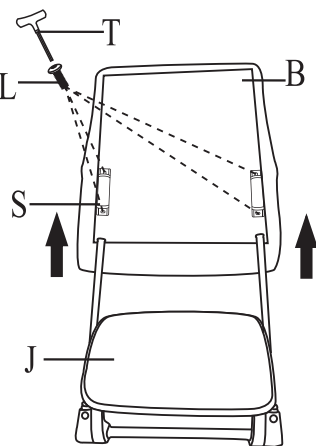
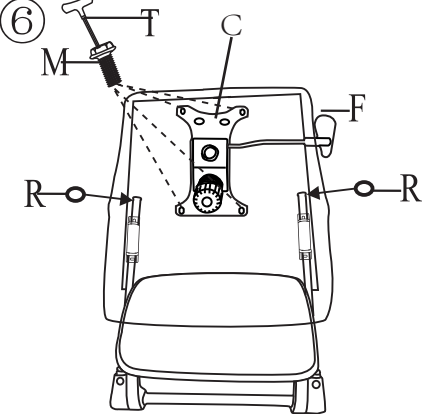
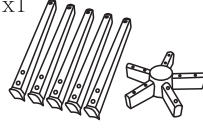
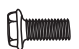


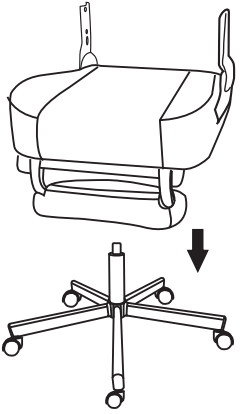
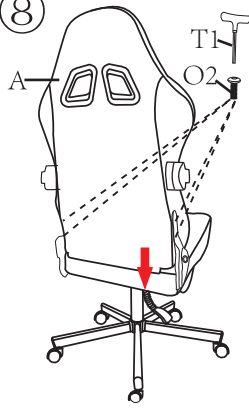
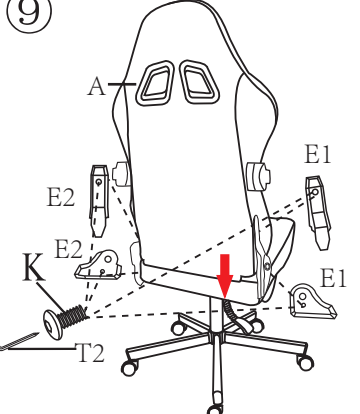




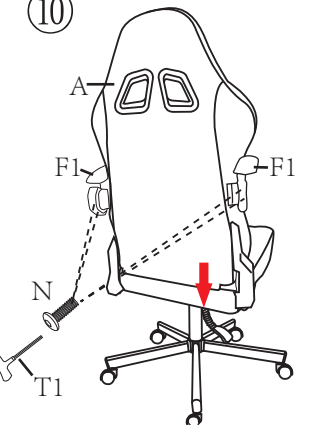
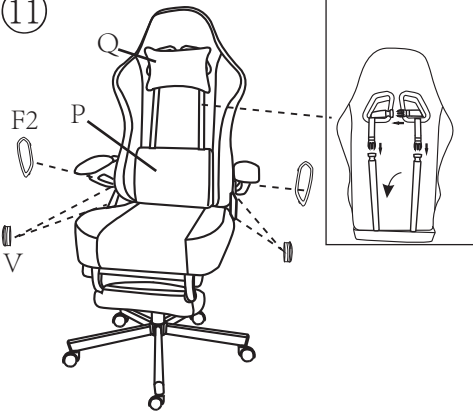




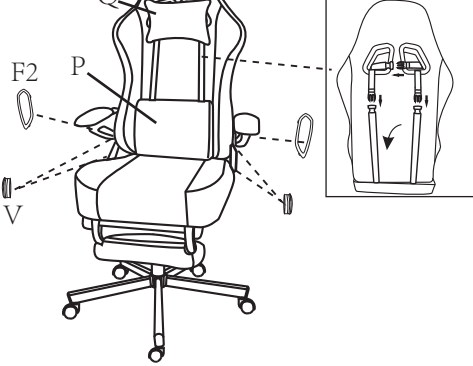
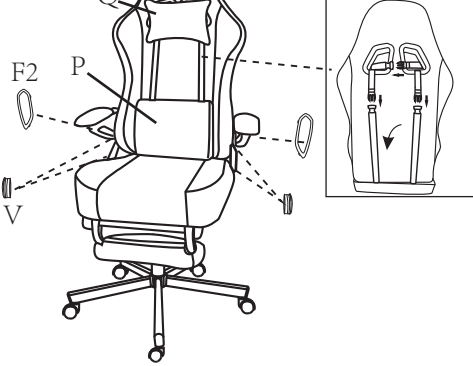



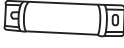
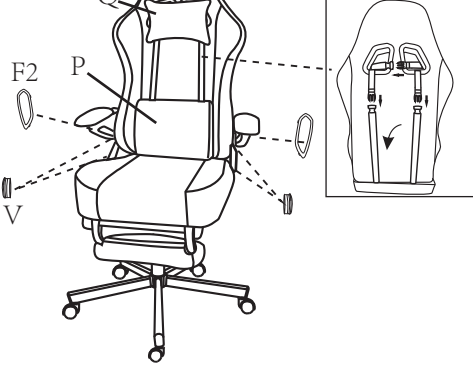
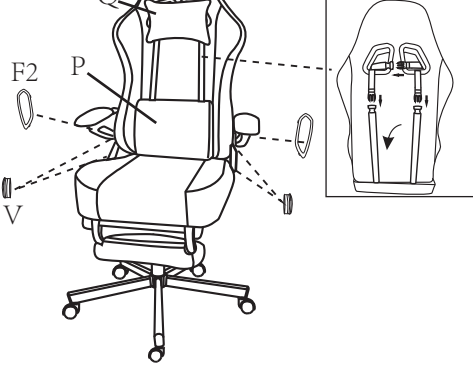





ASSEMBLE INSTRUCTION

(A)x1 	(J)x1 	① 	② 	③ 
(B)x1 	(K)x4  M5*10			
(C)x1 	(L)x4  M6*25	④ 	⑤ 	⑥ 
(D)x1 	(M)x4  M6*20			
(E1) 	(N)x4  M8*25	⑦ 	⑧ 	⑨ 
(E2) 	(O1)x10  M6*10			
(F1) 	(O2)x4  M8*25	⑩ 	⑪ 	
(F2) 	(P)x1 			
(G)x1 	(Q)x1 	⑫ 	⑬ 	
(H)x1 	(R)x2 			
(I)x5 	(S)x2 	⑭ 	⑮ 	
(T1) 	(U)x1 			
(T2) 	(V)x4 